

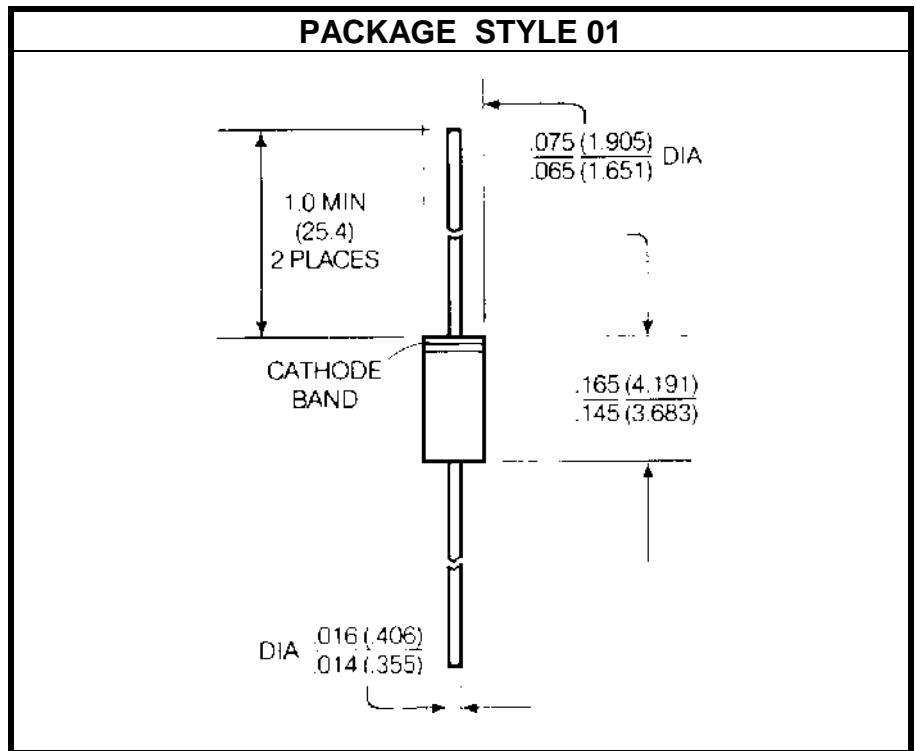
SCHOTTKY BARRIER DIODE

DESCRIPTION:

The **ASI 5082-2800** is a Silicon Small Signal Schottky Diode Designed for General Purpose UHF/VHF Detection and Pulse Applications. Color Band Indicates Cathode.

MAXIMUM RATINGS

I	35 mA
V	70 V
P_{DISS}	250 mW @ T _C = 25 °C
T_J	-65 °C to +200 °C
T_{STG}	-65 °C to +200 °C


CHARACTERISTICS T_C = 25 °C

SYMBOL	TEST CONDITIONS	MINIMUM	TYPICAL	MAXIMUM	UNITS
V _R	I _R = 10 μA	70			V
I _R	V _R = 50 V			200	μA
V _F	I _F = 1.0 mA			410	mV
	I _F = 15 mA			1.0	V
C _t	V _R = 0 V			2.0	pF
τ	I _F = 5.0 mA			100	pS