



# LC75804E, LC75804W

## 1/3, 1/4 Duty LCD Display Drivers with Key Input Function



### Overview

The LC75804E and LC75804W are 1/3 duty and 1/4 duty LCD display drivers that can directly drive up to 300 segments and can control up to eight general-purpose output ports. These products also incorporate a key scan circuit that accepts input from up to 30 keys to reduce printed circuit board wiring.

### Features

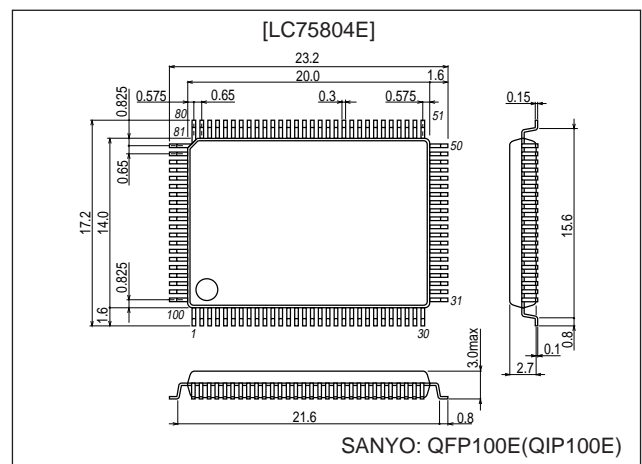
- Key input function for up to 30 keys (A key scan is performed only when a key is pressed.)
- 1/3 duty and 1/4 duty drive schemes can be controlled from serial data.
- 1/2 bias and 1/3 bias drive schemes can be controlled from serial data.
- Capable of driving up to 228 segments using 1/3 duty and up to 300 segments using 1/4 duty.
- Sleep mode and all segments off functions that are controlled from serial data.
- Segment output port/general-purpose output port function switching that is controlled from serial data.
- Serial data I/O supports CCB format communication with the system controller.
- Direct display of display data without the use of a decoder provides high generality.
- Independent  $V_{LCD}$  for the LCD driver block ( $V_{LCD}$  can be set to in the range  $V_{DD} - 0.5$  to 6.0 volts.)
- Provision of an on-chip voltage-detection type reset circuit prevents incorrect displays.
- RES pin provided for forcibly initializing the IC internal circuits.
- RC oscillator circuit.

- CCB is a trademark of SANYO ELECTRIC CO., LTD.
- CCB is SANYO's original bus format and all the bus addresses are controlled by SANYO.

### Package Dimensions

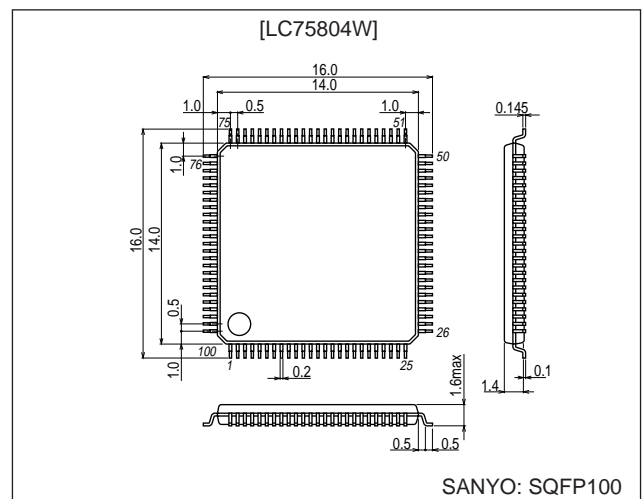
unit: mm

#### 3151-QFP100E



unit: mm

#### 3181B-SQFP100



■ Any and all SANYO products described or contained herein do not have specifications that can handle applications that require extremely high levels of reliability, such as life-support systems, aircraft's control systems, or other applications whose failure can be reasonably expected to result in serious physical and/or material damage. Consult with your SANYO representative nearest you before using any SANYO products described or contained herein in such applications.

■ SANYO assumes no responsibility for equipment failures that result from using products at values that exceed, even momentarily, rated values (such as maximum ratings, operating condition ranges, or other parameters) listed in products specifications of any and all SANYO products described or contained herein.

**SANYO Electric Co.,Ltd. Semiconductor Company**

TOKYO OFFICE Tokyo Bldg., 1-10, 1 Chome, Ueno, Taito-ku, TOKYO, 110-8534 JAPAN

## LC75804E, LC75804W

### Specifications

#### Absolute Maximum Ratings at $T_a=25^\circ\text{C}$ , $V_{SS}=0\text{V}$

Parameter	Symbol	Conditions	Ratings	Unit
Maximum supply voltage	$V_{DD\text{ max}}$	$V_{DD}$	-0.3 to +7.0	V
	$V_{LCD\text{ max}}$	$V_{LCD}$	-0.3 to +7.0	
Input voltage	$V_{IN1}$	CE, CL, DI, $\overline{\text{RES}}$	-0.3 to +7.0	V
	$V_{IN2}$	OSC, TEST	-0.3 to $V_{DD} + 0.3$	
	$V_{IN3}$	$V_{LCD1}$ , $V_{LCD2}$ , KI1 to KI5	-0.3 to $V_{LCD} + 0.3$	
Output voltage	$V_{OUT1}$	DO	-0.3 to +7.0	V
	$V_{OUT2}$	OSC	-0.3 to $V_{DD} + 0.3$	
	$V_{OUT3}$	S1 to S76, COM1 to COM4, KS1 to KS6, P1 to P8	-0.3 to $V_{LCD} + 0.3$	
Output current	$I_{OUT1}$	S1 to S76	300	$\mu\text{A}$
	$I_{OUT2}$	COM1 to COM4	3	mA
	$I_{OUT3}$	KS1 to KS6	1	
	$I_{OUT4}$	P1 to P8	5	
Allowable power dissipation	$P_d\text{ max}$	$T_a = 85^\circ\text{C}$	200	mW
Operating temperature	$T_{opr}$		-40 to +85	$^\circ\text{C}$
Storage temperature	$T_{stg}$		-55 to +125	$^\circ\text{C}$

#### Allowable Operating Ranges at $T_a = -40$ to $+85^\circ\text{C}$ , $V_{SS}=0\text{V}$

Parameter	Symbol	Conditions	Ratings			Unit
			min	typ	max	
Supply voltage	$V_{DD}$	$V_{DD}$	4.5		6.0	V
	$V_{LCD}$	$V_{LCD}$	$V_{DD} - 0.5$		6.0	
Input voltage	$V_{LCD1}$	$V_{LCD1}$		$2/3 V_{LCD}$	$V_{LCD}$	V
	$V_{LCD2}$	$V_{LCD2}$		$1/3 V_{LCD}$	$V_{LCD}$	
Input high level voltage	$V_{IH1}$	CE, CL, DI, $\overline{\text{RES}}$	$0.8 V_{DD}$		6.0	V
	$V_{IH2}$	KI1 to KI5	$0.6 V_{DD}$		$V_{LCD}$	
Input low level voltage	$V_{IL}$	CE, CL, DI, $\overline{\text{RES}}$ , KI1 to KI5	0		$0.2 V_{DD}$	V
Recommended external resistance	$R_{OSC}$	OSC		39		$\text{k}\Omega$
Recommended external capacitance	$C_{OSC}$	OSC		1000		pF
Guaranteed oscillator range	$f_{OSC}$	OSC	19	38	76	kHz
Data setup time	$t_{ds}$	CL, DI	:Figure 2	160		ns
Data hold time	$t_{dh}$	CL, DI	:Figure 2	160		ns
CE wait time	$t_{cp}$	CE, CL	:Figure 2	160		ns
CE setup time	$t_{cs}$	CE, CL	:Figure 2	160		ns
CE hold time	$t_{ch}$	CE, CL	:Figure 2	160		ns
High level clock pulse width	$t_{\theta H}$	CL	:Figure 2	160		ns
Low level clock pulse width	$t_{\theta L}$	CL	:Figure 2	160		ns
Rise time	$t_r$	CE, CL, DI	:Figure 2		160	ns
Fall time	$t_f$	CE, CL, DI	:Figure 2		160	ns
DO output delay time	$t_{dc}$	DO $R_{PU}=4.7\text{ k}\Omega$ , $C_L=10\text{ pF}$ *1	:Figure 2		1.5	$\mu\text{s}$
DO rise time	$t_{dr}$	DO $R_{PU}=4.7\text{ k}\Omega$ , $C_L=10\text{ pF}$ *1	:Figure 2		1.5	$\mu\text{s}$

Note: \*1. Since DO is an open-drain output, these values depend on the resistance of the pull-up resistor  $R_{PU}$  and the load capacitance  $C_L$ .

**LC75804E, LC75804W**

**Electrical Characteristics for the Allowable Operating Ranges**

Parameter	Symbol	Conditions	Ratings			Unit
			min	typ	max	
Hysteresis	$V_H$	CE, CL, DI, RES, KI1 to KI5		$0.1 V_{DD}$		V
Power-down detection voltage	$V_{DET}$		2.5	3.0	3.5	V
Input high level current	$I_{IH}$	CE, CL, DI, RES: $V_I = 6.0$ V			5.0	$\mu$ A
Input low level current	$I_{IL}$	CE, CL, DI, RES: $V_I = 0$ V	-5.0			$\mu$ A
Input floating voltage	$V_{IF}$	KI1 to KI5			$0.05 V_{DD}$	V
Pull-down resistance	$R_{PD}$	KI1 to KI5: $V_{DD} = 5.0$ V	50	100	250	k $\Omega$
Output off leakage current	$I_{OFFH}$	DO: $V_O = 6.0$ V			6.0	$\mu$ A
Output high level voltage	$V_{OH1}$	KS1 to KS6: $I_O = -500$ $\mu$ A	$V_{LCD} - 1.0$	$V_{LCD} - 0.5$	$V_{LCD} - 0.2$	V
	$V_{OH2}$	P1 to P8: $I_O = -1$ mA	$V_{LCD} - 1.0$			
	$V_{OH3}$	S1 to S76: $I_O = -20$ $\mu$ A	$V_{LCD} - 1.0$			
	$V_{OH4}$	COM1 to COM4: $I_O = -100$ $\mu$ A	$V_{LCD} - 1.0$			
Output low level voltage	$V_{OL1}$	KS1 to KS6: $I_O = 25$ $\mu$ A	0.2	0.5	1.5	V
	$V_{OL2}$	P1 to P8: $I_O = 1$ mA			1.0	
	$V_{OL3}$	S1 to S76: $I_O = 20$ $\mu$ A			1.0	
	$V_{OL4}$	COM1 to COM4: $I_O = 100$ $\mu$ A			1.0	
	$V_{OL5}$	DO: $I_O = 1$ mA		0.1	0.5	
Output middle level voltage *2	$V_{MID1}$	COM1 to COM4: 1/2 bias, $I_O = \pm 100$ $\mu$ A	$1/2 V_{LCD} - 1.0$		$1/2 V_{LCD} + 1.0$	V
	$V_{MID2}$	S1 to S76: 1/3 bias, $I_O = \pm 20$ $\mu$ A	$2/3 V_{LCD} - 1.0$		$2/3 V_{LCD} + 1.0$	
	$V_{MID3}$	S1 to S76: 1/3 bias, $I_O = \pm 20$ $\mu$ A	$1/3 V_{LCD} - 1.0$		$1/3 V_{LCD} + 1.0$	
	$V_{MID4}$	COM1 to COM4: 1/3 bias, $I_O = \pm 100$ $\mu$ A	$2/3 V_{LCD} - 1.0$		$2/3 V_{LCD} + 1.0$	
	$V_{MID5}$	COM1 to COM4: 1/3 bias, $I_O = \pm 100$ $\mu$ A	$1/3 V_{LCD} - 1.0$		$1/3 V_{LCD} + 1.0$	
Oscillator frequency	fosc	OSC: $R_{OSC} = 39$ k $\Omega$ , $C_{OSC} = 1000$ pF	30.4	38	45.6	kHz
Current drain	$I_{DD1}$	$V_{DD}$ : Sleep mode			100	$\mu$ A
	$I_{DD2}$	$V_{DD}$ : $V_{DD} = 6.0$ V, output open, fosc = 38 kHz		270	540	
	$I_{LCD1}$	$V_{LCD}$ : Sleep mode			5	
	$I_{LCD2}$	$V_{LCD}$ : $V_{LCD} = 6.0$ V, output open, 1/2 bias, fosc = 38 kHz		200	400	
	$I_{LCD3}$	$V_{LCD}$ : $V_{LCD} = 6.0$ V, output open, 1/3 bias, fosc = 38 kHz		120	240	

Nete: \*2. Excluding the bias voltage generation divider resistor built into  $V_{LCD1}$  and  $V_{LCD2}$ . (See Figure 1.)

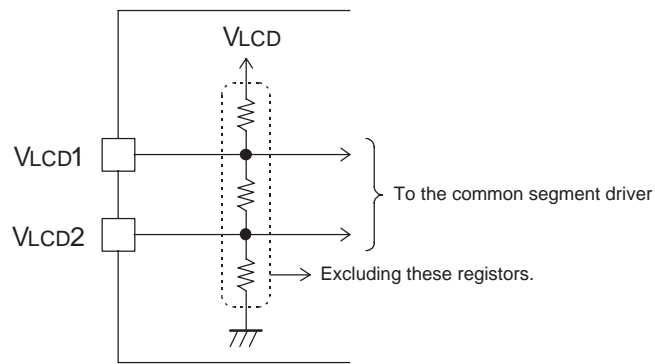
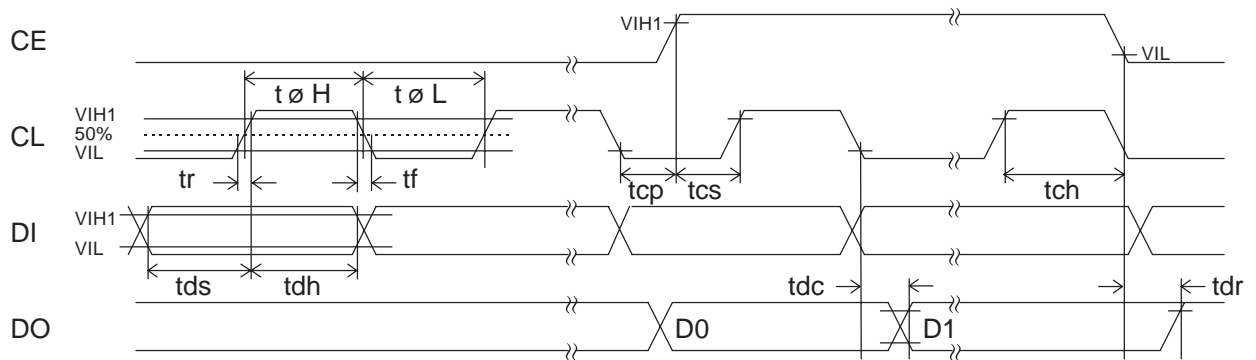


Figure 1

1. When CL is stopped at the low level



2. When CL is stopped at the high level

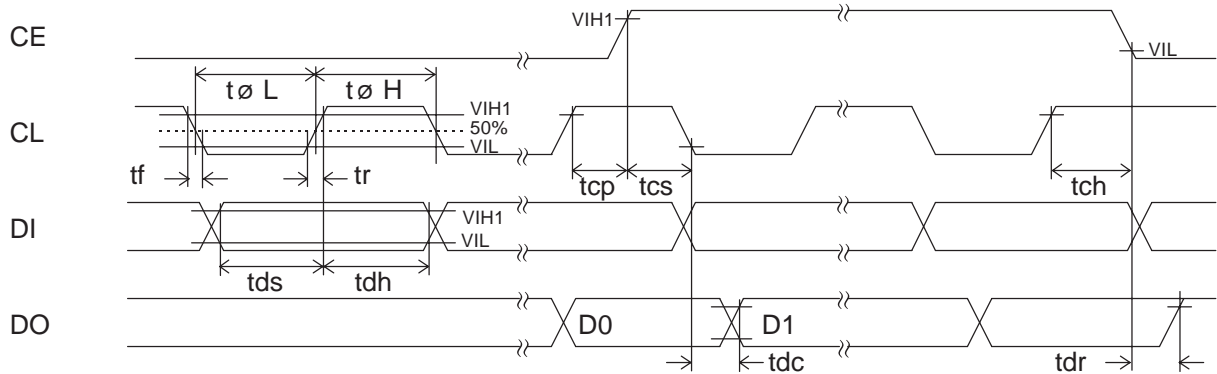
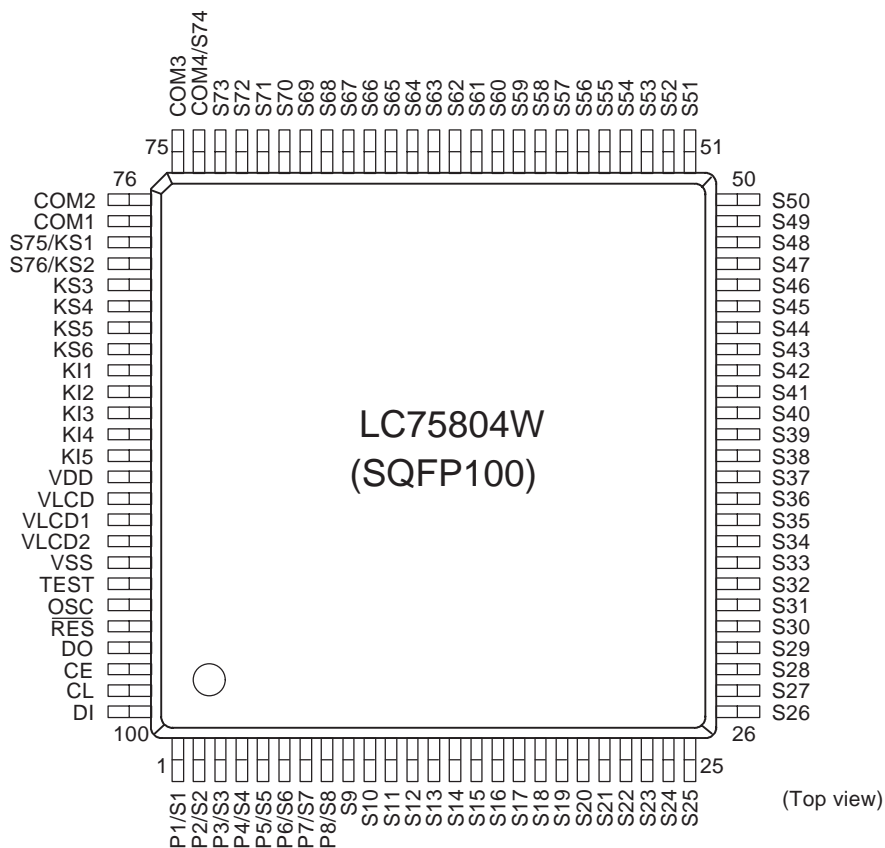
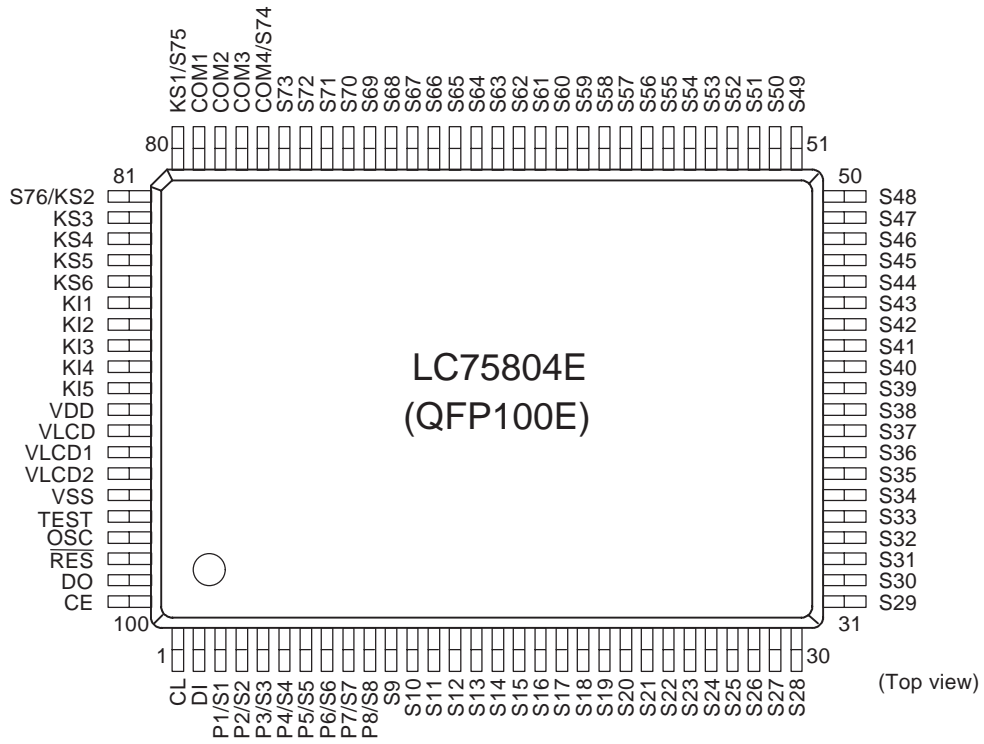


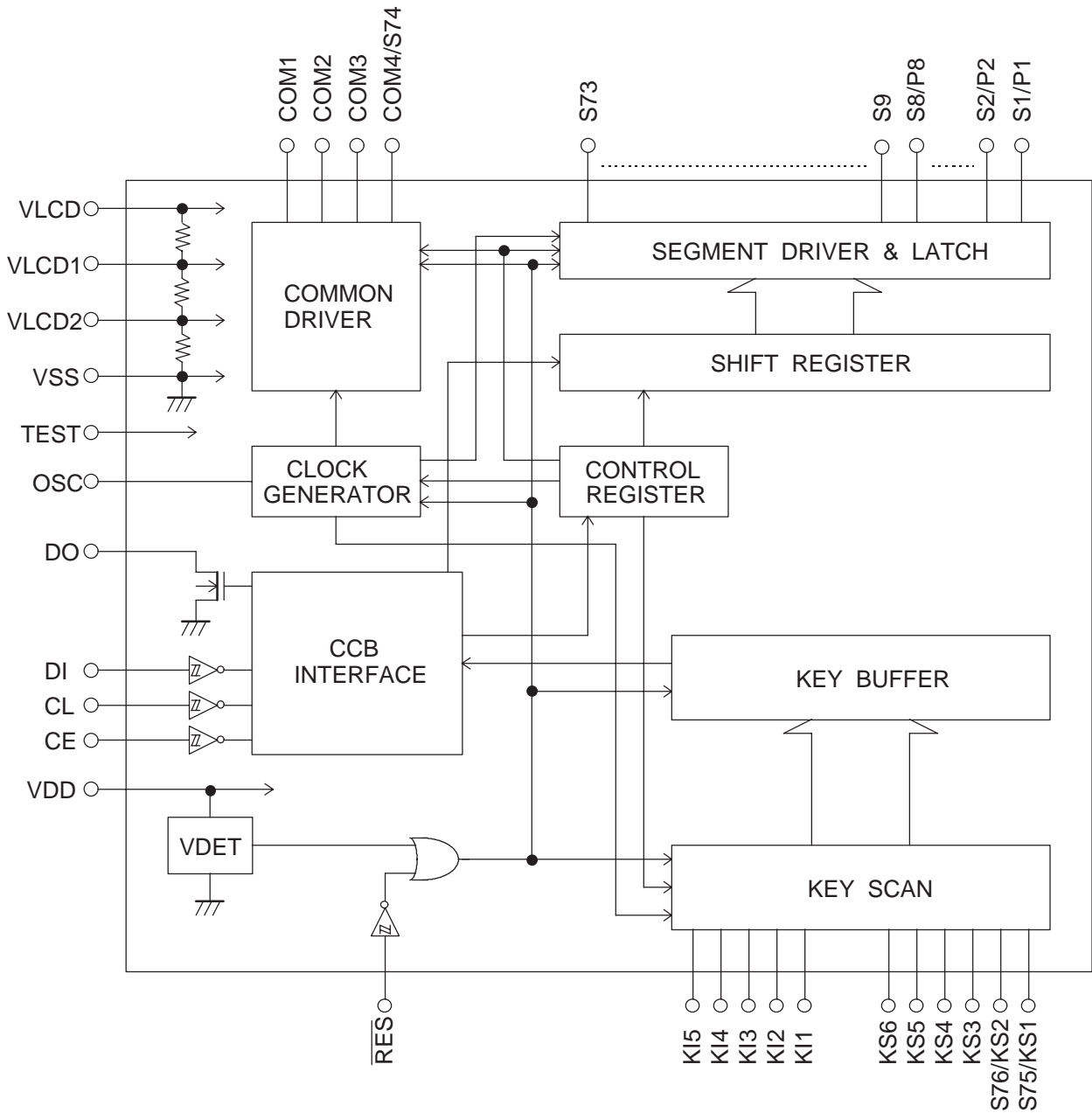
Figure 2

# LC75804E, LC75804W

## Pin Assignments




Block Diagram



## LC75804E, LC75804W

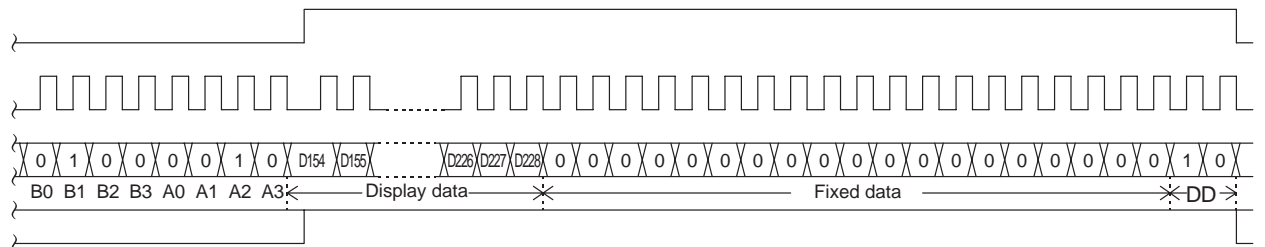
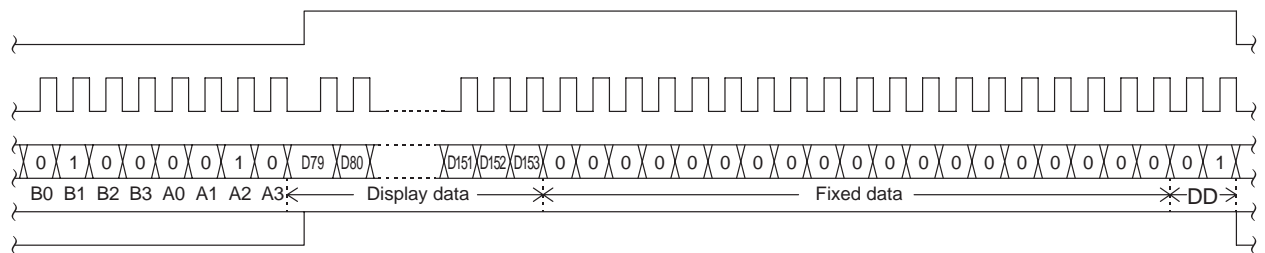
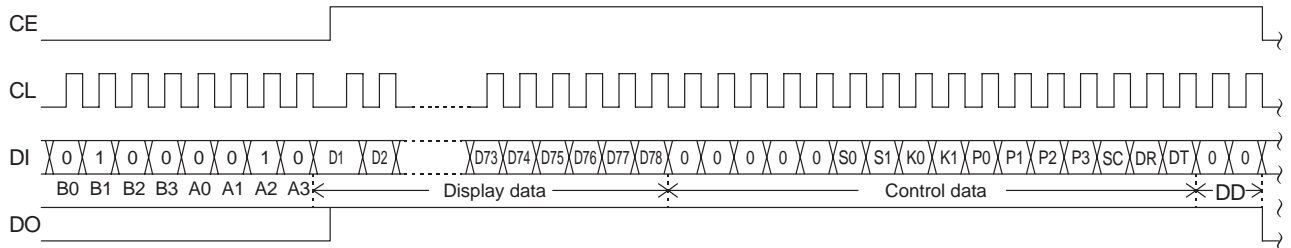
### Pin Functions

Pin	Pin No.		Function	Active	I/O	Handling when unused
	LC75804E	LC75804W				
S1/P1 to S8/P8 S9 to S73	3 to 10 11 to 75	1 to 8 9 to 73	Segment outputs for displaying the display data transferred by serial data input. The S1/P1 to S8/P8 pins can be used as general-purpose output ports under serial data control.	—	○	OPEN
COM1 COM2 COM3 COM4/S74	79 78 77 76	77 76 75 74	Common driver outputs The frame frequency $f_o$ is given by : $f_o = (f_{OSC}/384)$ Hz. The COM4/S74 pin can be used as a segment output in 1/3 duty.	—	○	OPEN
KS1/S75 KS2/S76 KS3 to KS6	80 81 82 to 85	78 79 80 to 83	Key scan outputs Although normal key scan timing lines require diodes to be inserted in the timing lines to prevent shorts, since these outputs are unbalanced CMOS transistor outputs, these outputs will not be damaged by shorting when these outputs are used to form a key matrix. The KS1/S75 and KS2/S76 pins can be used as segment outputs when so specified by the control data.	—	○	OPEN
KI1 to KI5	86 to 90	84 to 88	Key scan inputs These pins have built-in pull-down resistors.	H	I	GND
OSC	97	95	Oscillator connection An oscillator circuit is formed by connecting an external resistor and capacitor at this pin.	—	I/O	V <sub>DD</sub>
CE CL DI DO	100 1 2 99	98 99 100 97	Serial data interface connections to the controller. Note that DO, being an open-drain output, requires a pull-up resistor. CE :Chip enable CL :Synchronization clock DI :Transfer data DO :Output data	H  — —	I I I O	GND  OPEN
$\overline{\text{RES}}$	98	96	Reset signal input RES = low.....Display off Key scan disabled All key data is reset to low RES = high.....Display on Key scan enabled However, serial data can be transferred when $\overline{\text{RES}}$ is low.	L	I	V <sub>DD</sub>
TEST	96	94	This pin must be connected to ground.	—	I	—
V <sub>LCD1</sub>	93	91	Used for applying the LCD drive 2/3 bias voltage externally. Must be connected to V <sub>LCD2</sub> when a 1/2 bias drive scheme is used.	—	I	OPEN
V <sub>LCD2</sub>	94	92	Used for applying the LCD drive 1/3 bias voltage externally. Must be connected to V <sub>LCD1</sub> when a 1/2 bias drive scheme is used.	—	I	OPEN
V <sub>DD</sub>	91	89	Logic block power supply connection. Provide a voltage of between 4.5 and 6.0V.	—	—	—
V <sub>LCD</sub>	92	90	LCD driver block power supply connection. Provide a voltage of between V <sub>DD</sub> - 0.5 and 6.0V.	—	—	—
V <sub>SS</sub>	95	93	Power supply connection. Connect to ground.	—	—	—

**Serial Data Input**

1. 1/3 duty

① When CL is stopped at the low level

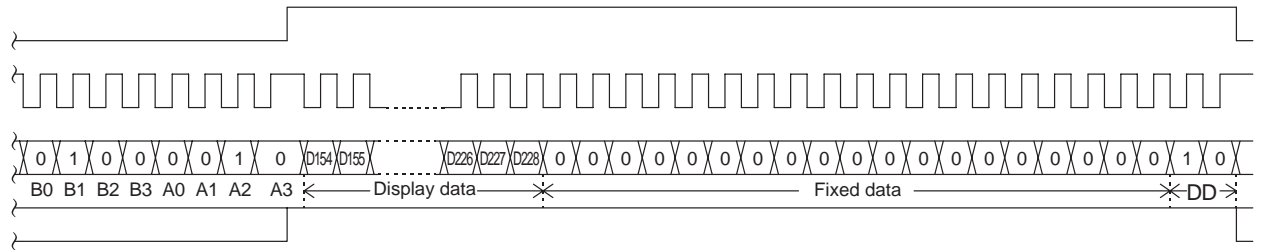
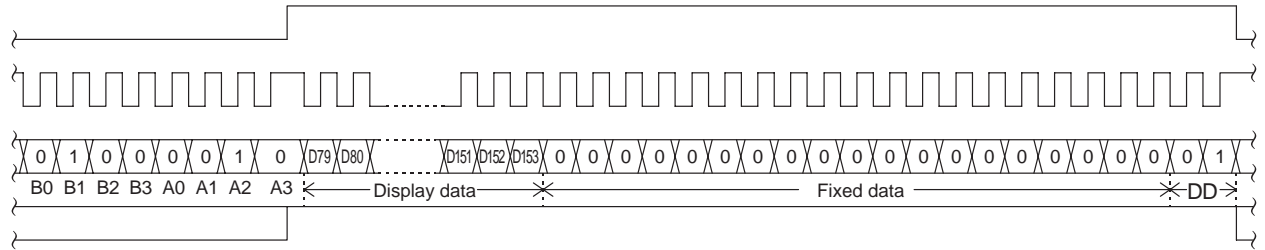
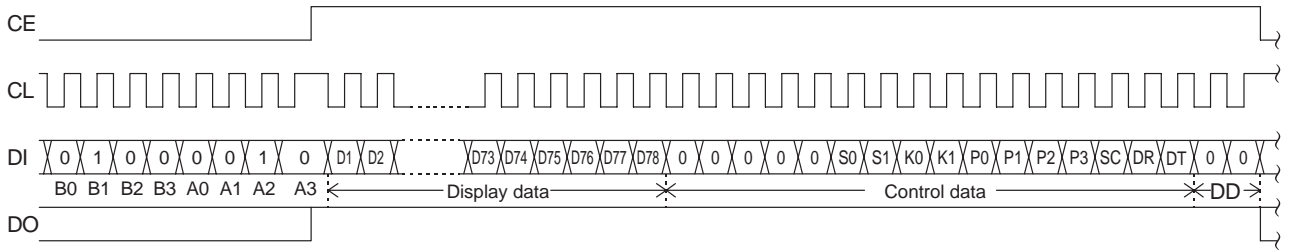


Note: B0 to B3, A0 to A3 ..... CCB address  
 DD ..... Direction data



## LC75804E, LC75804W

### ② When CL is stopped at the high level



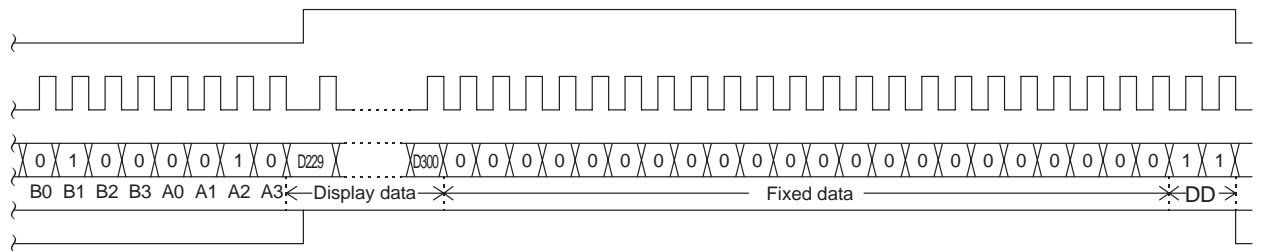
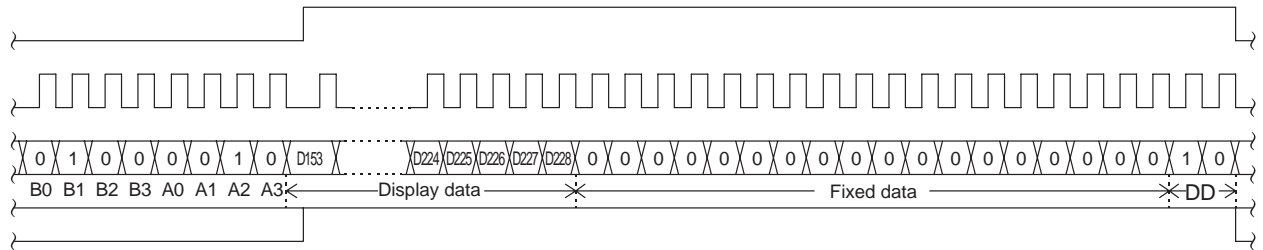
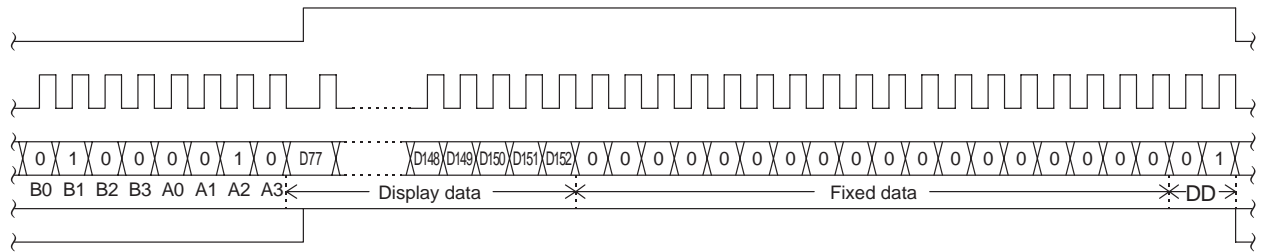
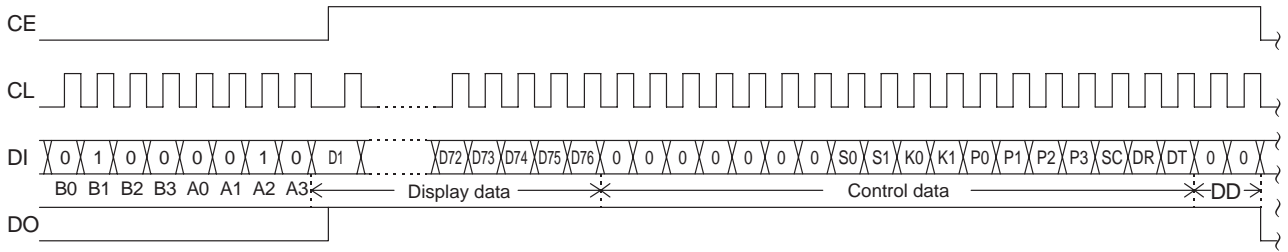
Note: B0 to B3, A0 to A3 ..... CCB address  
 DD ..... Direction data

- CCB address ..... 42H
- D1 to D228 ..... Display data
- S0, S1 ..... Sleep control data
- K0, K1 ..... Key scan output/segment output selection data
- P0 to P3 ..... Segment output port/general-purpose output port selection data
- SC ..... Segment on/off control data
- DR ..... 1/2 bias or 1/3 bias drive selection data
- DT ..... 1/3 duty or 1/4 duty drive selection data

## LC75804E, LC75804W

### 2. 1/4duty

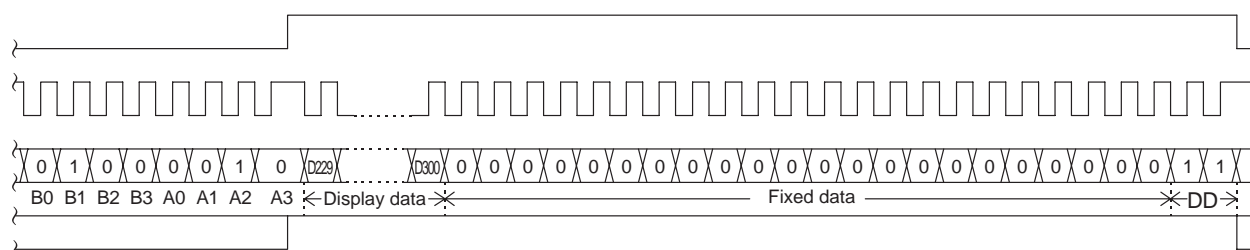
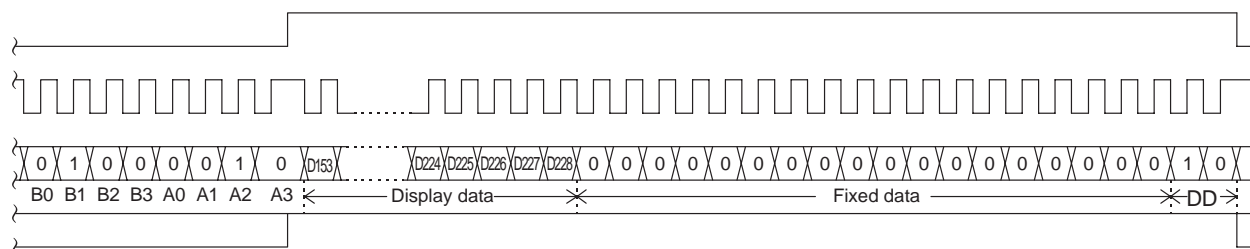
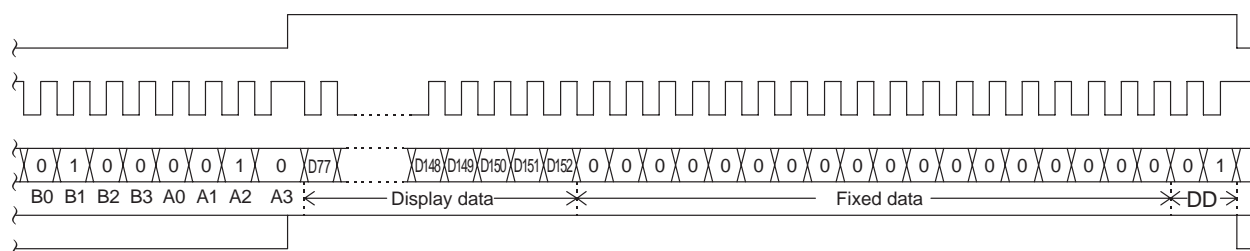
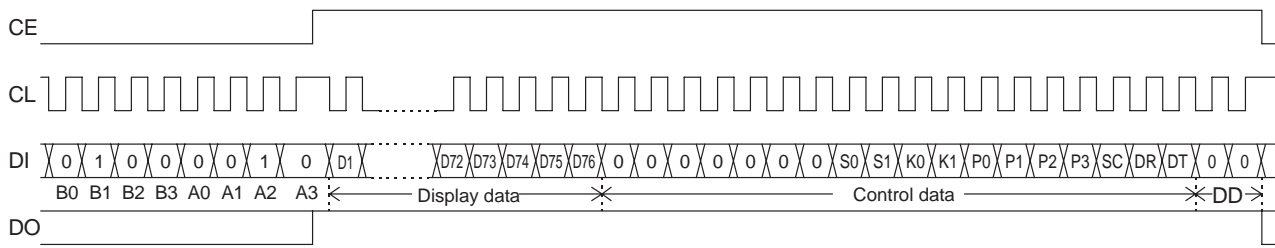
① When CL is stopped at the low level



Note: B0 to B3, A0 to A3 ..... CCB address  
 DD..... Direction data

## LC75804E, LC75804W

### ② When CL is stopped at the high level



Note: B0 to B3, A0 to A3 ..... CCB address  
 DD ..... Direction data

- CCB address ..... 42H
- D1 to D300 ..... Display data
- S0, S1 ..... Sleep control data
- K0, K1 ..... Key scan output/segment output selection data
- P0 to P3 ..... Segment output port/general-purpose output port selection data
- SC ..... Segment on/off control data
- DR ..... 1/2 bias or 1/3 bias drive selection data
- DT ..... 1/3 duty or 1/4 duty drive selection data

## Control Data Functions

### 1. S0, S1 : Sleep control data

These control data bits switch between normal mode and sleep mode and set the states of the KS1 to KS6 key scan outputs during key scan standby.

Control data		Mode	OSC oscillator	Segment outputs Common outputs	Output pin states during key scan standby					
S0	S1				KS1	KS2	KS3	KS4	KS5	KS6
0	0	Normal	Operating	Operating	H	H	H	H	H	H
0	1	Sleep	Stopped	L	L	L	L	L	L	H
1	0	Sleep	Stopped	L	L	L	L	H	H	H
1	1	Sleep	Stopped	L	H	H	H	H	H	H

Note: This assumes that the KS1/S75 and KS2/S76 output pins are selected for key scan output.

### 2. K0, K1 : Key scan output /segment output selection data

These control data bits switch the functions of the KS1/S75 and KS2/S76 output pins between key scan output and segment output.

Control data		Output pin state		Maximum number of input keys
K0	K1	KS1/S75	KS2/S76	
0	0	KS1	KS2	30
0	1	S75	KS2	25
1	X	S75	S76	20

X: don't care

Note: KSn(n = 1 or 2) : Key scan output  
Sn (n = 75 or 76): Segment output

### 3. P0 to P3 : Segment output port/general-purpose output port selection data

These control data bits switch the functions of the S1/P1 to S8/P8 output pins between the segment output port and the general-purpose output port.

Control data				Output pin state							
P0	P1	P2	P3	S1/P1	S2/P2	S3/P3	S4/P4	S5/P5	S6/P6	S7/P7	S8/P8
0	0	0	0	S1	S2	S3	S4	S5	S6	S7	S8
0	0	0	1	P1	S2	S3	S4	S5	S6	S7	S8
0	0	1	0	P1	P2	S3	S4	S5	S6	S7	S8
0	0	1	1	P1	P2	P3	S4	S5	S6	S7	S8
0	1	0	0	P1	P2	P3	P4	S5	S6	S7	S8
0	1	0	1	P1	P2	P3	P4	P5	S6	S7	S8
0	1	1	0	P1	P2	P3	P4	P5	P6	S7	S8
0	1	1	1	P1	P2	P3	P4	P5	P6	P7	S8
1	0	0	0	P1	P2	P3	P4	P5	P6	P7	P8

Note: Sn(n=1 to 8): Segment output port  
Pn(n=1 to 8): General-purpose output port

The table below lists the correspondence between the display data and the output pins when these pins are selected to be general-purpose output ports.

Output pin	Corresponding display data	
	1/3 duty	1/4 duty
S1/P1	D1	D1
S2/P2	D4	D5
S3/P3	D7	D9
S4/P4	D10	D13
S5/P5	D13	D17
S6/P6	D16	D21
S7/P7	D19	D25
S8/P8	D22	D29

For example, if the circuit is operated in 1/4 duty and the S4/P4 output pin is selected to be a general-purpose output port, the S4/P4 output pin will output a high level ( $V_{LCD}$ ) when the display data D13 is 1, and will output a low level ( $V_{SS}$ ) when D13 is 0.

## LC75804E, LC75804W

### 4. SC : Segment on/off control data

This control data bit controls the on/off state of the segments.

SC	Display state
0	on
1	off

However, note that when the segments are turned off by setting SC to 1, the segments are turned off by outputting segment off waveforms from the segment output pins.

### 5. DR : 1/2 bias or 1/3 bias drive selection data

This control data bit switches between LCD 1/2 bias or 1/3 bias drive.

DR	Bias drive scheme
0	1/3 bias drive
1	1/2 bias drive

### 6. DT : 1/3 duty or 1/4 duty drive selection data

This control data bit switches between LCD 1/3 duty or 1/4 duty drive.

DT	Duty drive scheme	Output pin state (COM4/S74)
0	1/4 duty drive	COM4
1	1/3 duty drive	S74

Note: COM4: Common output  
S74 : Segment output

## Display Data and Output Pin Correspondence

### 1. 1/3 duty

Output pin	COM1	COM2	COM3	Output pin	COM1	COM2	COM3	Output pin	COM1	COM2	COM3
S1/P1	D1	D2	D3	S27	D79	D80	D81	S53	D157	D158	D159
S2/P2	D4	D5	D6	S28	D82	D83	D84	S54	D160	D161	D162
S3/P3	D7	D8	D9	S29	D85	D86	D87	S55	D163	D164	D165
S4/P4	D10	D11	D12	S30	D88	D89	D90	S56	D166	D167	D168
S5/P5	D13	D14	D15	S31	D91	D92	D93	S57	D169	D170	D171
S6/P6	D16	D17	D18	S32	D94	D95	D96	S58	D172	D173	D174
S7/P7	D19	D20	D21	S33	D97	D98	D99	S59	D175	D176	D177
S8/P8	D22	D23	D24	S34	D100	D101	D102	S60	D178	D179	D180
S9	D25	D26	D27	S35	D103	D104	D105	S61	D181	D182	D183
S10	D28	D29	D30	S36	D106	D107	D108	S62	D184	D185	D186
S11	D31	D32	D33	S37	D109	D110	D111	S63	D187	D188	D189
S12	D34	D35	D36	S38	D112	D113	D114	S64	D190	D191	D192
S13	D37	D38	D39	S39	D115	D116	D117	S65	D193	D194	D195
S14	D40	D41	D42	S40	D118	D119	D120	S66	D196	D197	D198
S15	D43	D44	D45	S41	D121	D122	D123	S67	D199	D200	D201
S16	D46	D47	D48	S42	D124	D125	D126	S68	D202	D203	D204
S17	D49	D50	D51	S43	D127	D128	D129	S69	D205	D206	D207
S18	D52	D53	D54	S44	D130	D131	D132	S70	D208	D209	D210
S19	D55	D56	D57	S45	D133	D134	D135	S71	D211	D212	D213
S20	D58	D59	D60	S46	D136	D137	D138	S72	D214	D215	D216
S21	D61	D62	D63	S47	D139	D140	D141	S73	D217	D218	D219
S22	D64	D65	D66	S48	D142	D143	D144	COM4/S74	D220	D221	D222
S23	D67	D68	D69	S49	D145	D146	D147	KS1/S75	D223	D224	D225
S24	D70	D71	D72	S50	D148	D149	D150	KS2/S76	D226	D227	D228
S25	D73	D74	D75	S51	D151	D152	D153				
S26	D76	D77	D78	S52	D154	D155	D156				

Note: This is for the case where the output pins S1/P1 to S8/P8, COM4/S74, KS1/S75 and KS2/S76 are selected for use as segment outputs.

## LC75804E, LC75804W

For example, the table below lists the segment output states for the S11 output pin.

Display data			Output pin state (S11)
D31	D32	D33	
0	0	0	The LCD segments for COM1, COM2 and COM3 are off.
0	0	1	The LCD segment for COM3 is on.
0	1	0	The LCD segment for COM2 is on.
0	1	1	The LCD segments for COM2 and COM3 are on.
1	0	0	The LCD segment for COM1 is on.
1	0	1	The LCD segments for COM1 and COM3 are on.
1	1	0	The LCD segments for COM1 and COM2 are on.
1	1	1	The LCD segments for COM1, COM2 and COM3 are on.

### 2. 1/4 duty

Output pin	COM1	COM2	COM3	COM4
S1/P1	D1	D2	D3	D4
S2/P2	D5	D6	D7	D8
S3/P3	D9	D10	D11	D12
S4/P4	D13	D14	D15	D16
S5/P5	D17	D18	D19	D20
S6/P6	D21	D22	D23	D24
S7/P7	D25	D26	D27	D28
S8/P8	D29	D30	D31	D32
S9	D33	D34	D35	D36
S10	D37	D38	D39	D40
S11	D41	D42	D43	D44
S12	D45	D46	D47	D48
S13	D49	D50	D51	D52
S14	D53	D54	D55	D56
S15	D57	D58	D59	D60
S16	D61	D62	D63	D64
S17	D65	D66	D67	D68
S18	D69	D70	D71	D72
S19	D73	D74	D75	D76
S20	D77	D78	D79	D80
S21	D81	D82	D83	D84
S22	D85	D86	D87	D88
S23	D89	D90	D91	D92
S24	D93	D94	D95	D96
S25	D97	D98	D99	D100
S26	D101	D102	D103	D104
S27	D105	D106	D107	D108
S28	D109	D110	D111	D112
S29	D113	D114	D115	D116
S30	D117	D118	D119	D120
S31	D121	D122	D123	D124
S32	D125	D126	D127	D128
S33	D129	D130	D131	D132
S34	D133	D134	D135	D136
S35	D137	D138	D139	D140
S36	D141	D142	D143	D144
S37	D145	D146	D147	D148
S38	D149	D150	D151	D152

Output pin	COM1	COM2	COM3	COM4
S39	D153	D154	D155	D156
S40	D157	D158	D159	D160
S41	D161	D162	D163	D164
S42	D165	D166	D167	D168
S43	D169	D170	D171	D172
S44	D173	D174	D175	D176
S45	D177	D178	D179	D180
S46	D181	D182	D183	D184
S47	D185	D186	D187	D188
S48	D189	D190	D191	D192
S49	D193	D194	D195	D196
S50	D197	D198	D199	D200
S51	D201	D202	D203	D204
S52	D205	D206	D207	D208
S53	D209	D210	D211	D212
S54	D213	D214	D215	D216
S55	D217	D218	D219	D220
S56	D221	D222	D223	D224
S57	D225	D226	D227	D228
S58	D229	D230	D231	D232
S59	D233	D234	D235	D236
S60	D237	D238	D239	D240
S61	D241	D242	D243	D244
S62	D245	D246	D247	D248
S63	D249	D250	D251	D252
S64	D253	D254	D255	D256
S65	D257	D258	D259	D260
S66	D261	D262	D263	D264
S67	D265	D266	D267	D268
S68	D269	D270	D271	D272
S69	D273	D274	D275	D276
S70	D277	D278	D279	D280
S71	D281	D282	D283	D284
S72	D285	D286	D287	D288
S73	D289	D290	D291	D292
KS1/S75	D293	D294	D295	D296
KS2/S76	D297	D298	D299	D300

Note: This is for the case where the output pins S1/P1 to S8/P8, KS1/S75 and KS2/S76 are selected for use as segment outputs.

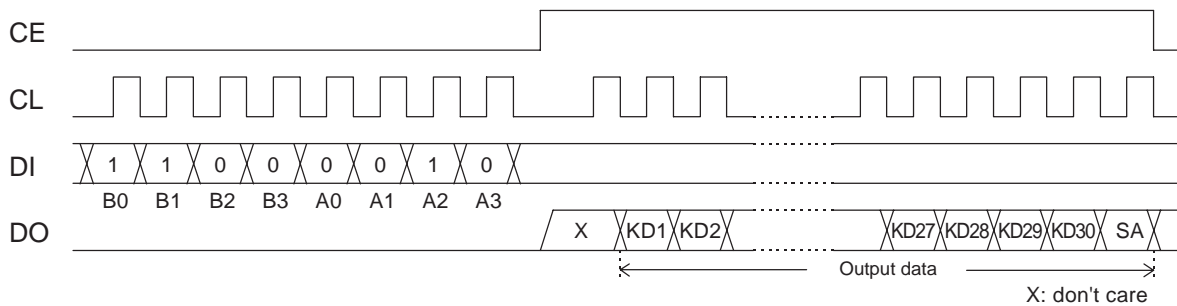
## LC75804E, LC75804W

For example, the table below lists the segment output states for the S11 output pin.

Display data				Output pin state (S11)
D41	D42	D43	D44	
0	0	0	0	The LCD segments for COM1,COM2,COM3 and COM4 are off.
0	0	0	1	The LCD segment for COM4 is on.
0	0	1	0	The LCD segment for COM3 is on.
0	0	1	1	The LCD segments for COM3 and COM4 are on.
0	1	0	0	The LCD segment for COM2 is on.
0	1	0	1	The LCD segments for COM2 and COM4 are on.
0	1	1	0	The LCD segments for COM2 and COM3 are on.
0	1	1	1	The LCD segments for COM2,COM3 and COM4 are on.
1	0	0	0	The LCD segment for COM1 is on.
1	0	0	1	The LCD segments for COM1 and COM4 are on.
1	0	1	0	The LCD segments for COM1 and COM3 are on.
1	0	1	1	The LCD segments for COM1,COM3 and COM4 are on.
1	1	0	0	The LCD segments for COM1 and COM2 are on.
1	1	0	1	The LCD segments for COM1,COM2 and COM4 are on.
1	1	1	0	The LCD segments for COM1,COM2 and COM3 are on.
1	1	1	1	The LCD segments for COM1,COM2,COM3 and COM4 are on.

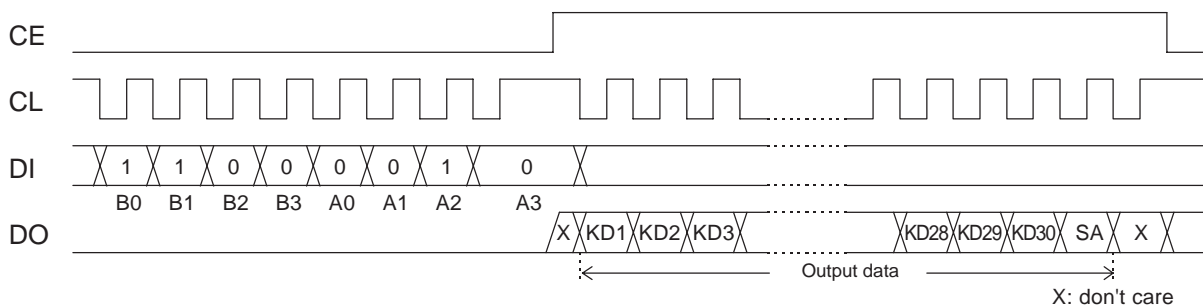
### Serial Data Output

1. When CL is stopped at the low level



Note: B0 to B3, A0 to A3.....CCB address

2. When CL is stopped at the high level



Note: B0 to B3, A0 to A3.....CCB address

CCB address ..... 43H

KD1 to KD30..... Key data

SA..... Sleep acknowledge data

Note: If a key data read operation is executed when DO is high, the read key data (KD1 to KD30) and sleep acknowledge data(SA) will be invalid.

## Output Data

### 1. KD1 to KD30 : Key data

When a key matrix of up to 30 keys is formed from the KS1 to KS6 output pins and the KI1 to KI5 input pins and one of those keys is pressed, the key output data corresponding to that key will be set to 1. The table shows the relationship between those pins and the key data bits.

	KI1	KI2	KI3	KI4	KI5
KS1/S75	KD1	KD2	KD3	KD4	KD5
KS2/S76	KD6	KD7	KD8	KD9	KD10
KS3	KD11	KD12	KD13	KD14	KD15
KS4	KD16	KD17	KD18	KD19	KD20
KS5	KD21	KD22	KD23	KD24	KD25
KS6	KD26	KD27	KD28	KD29	KD30

When the KS1/S75 and KS2/S76 output pins are selected to be segment outputs by control data bits K0 and K1 and a key matrix of up to 20 keys is formed using the KS3 to KS6 output pins and the KI1 to KI5 input pins, the KD1 to KD10 key data bits will be set to 0.

### 2. SA : Sleep acknowledge data

This output data bit is set to the state when the key was pressed. Also, while DO will be low in this case, if serial data is input and the mode is set (to normal or sleep mode) during this period, that mode will be set. SA will be 1 in sleep mode and 0 in normal mode.

## Sleep Mode Functions

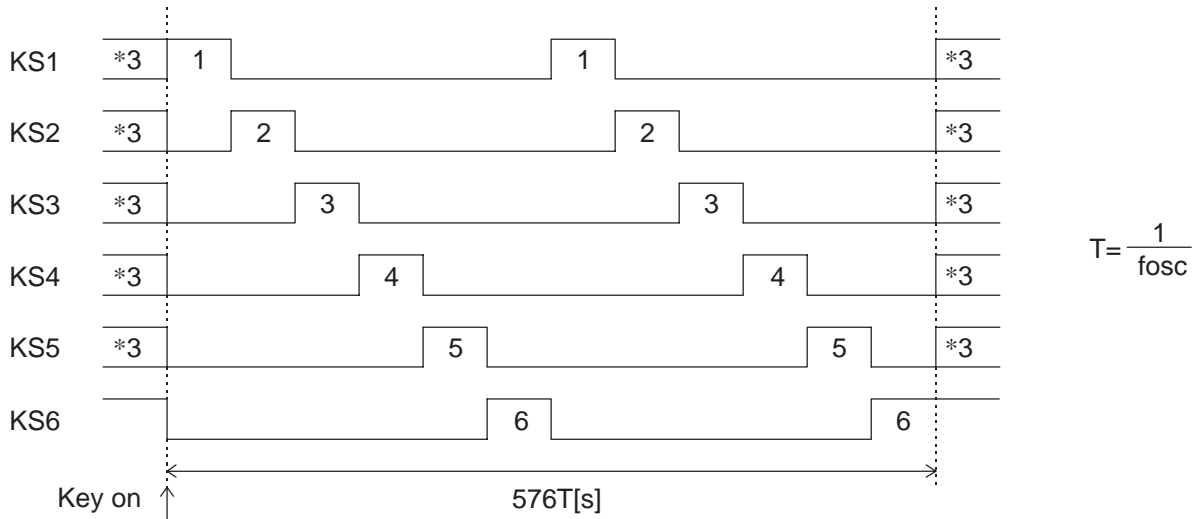
Sleep mode is set up by setting S0 or S1 in the control data to 1. The segment outputs will all go low and the common outputs will also go low, and the oscillator on the OSC pin will stop (it will be started by a key press). This reduces power dissipation. This mode is cleared by sending control data with both S0 and S1 set to 0. However, note that the S1/P1 to S8/P8 outputs can be used as general-purpose output ports according to the state of the P0 to P3 control data bits, even in sleep mode. (See the control data description for details.)



### Key Scan Operation Functions

#### 1. Key scan timing

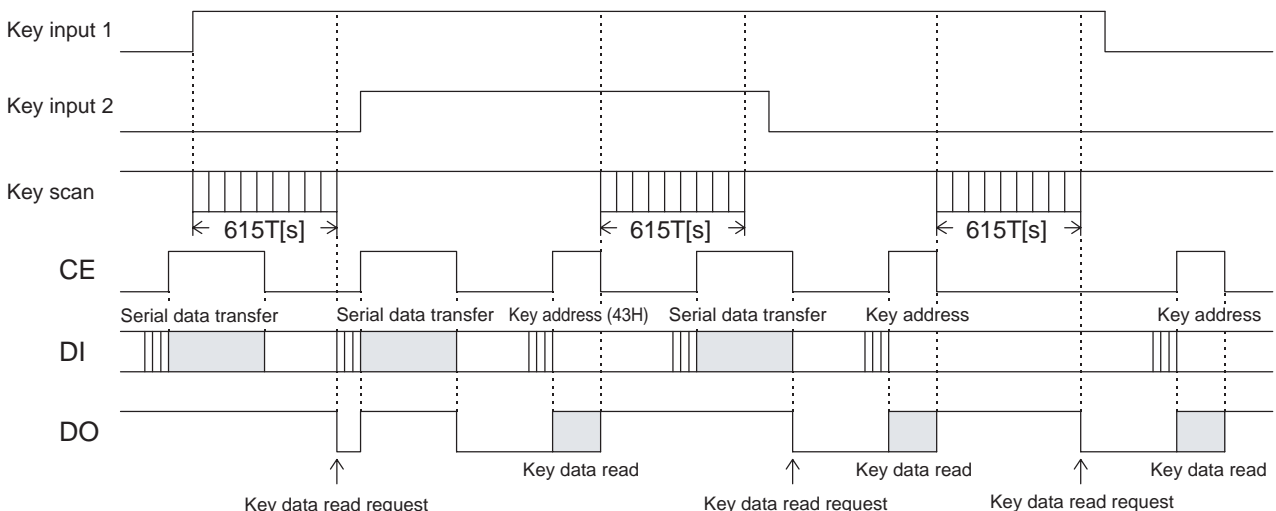
The key scan period is 288T(s). To reliably determine the on/off state of the keys, the LC75804E/W scans the keys twice and determines that a key has been pressed when the key data agrees. It outputs a key data read request (a low level on DO) 615T(s) after starting a key scan. If the key data dose not agree and a key was pressed at that point, it scans the keys again. Thus the LC75804E/W cannot detect a key press shorter than 615T(s).



Note: \*3. In sleep mode the high/low state of these pins is determined by the S0 and S1 bits in the control data. Key scan output signals are not output from pins that are set low.

#### 2. In normal mode

- The pins KS1 to KS6 are set high.
- When a key is pressed a key scan is started and the keys are scanned until all keys are released. Multiple key presses are recognized by determining whether multiple key data bits are set.
- If a key is pressed for longer than 615T(s) (Where  $T = \frac{1}{f_{osc}}$ ) the LC75804E/W outputs a key data read request (a low level on DO) to the controller. The controller acknowledges this request and reads the key data. However, if CE is high during a serial data transfer, DO will be set high.
- After the controller reads the key data, the key data read request is cleared (DO is set high) and the LC75804E/W performs another key scan. Also note that DO, being an open-drain output, requires a pull-up resistor (between 1 and 10 kΩ).

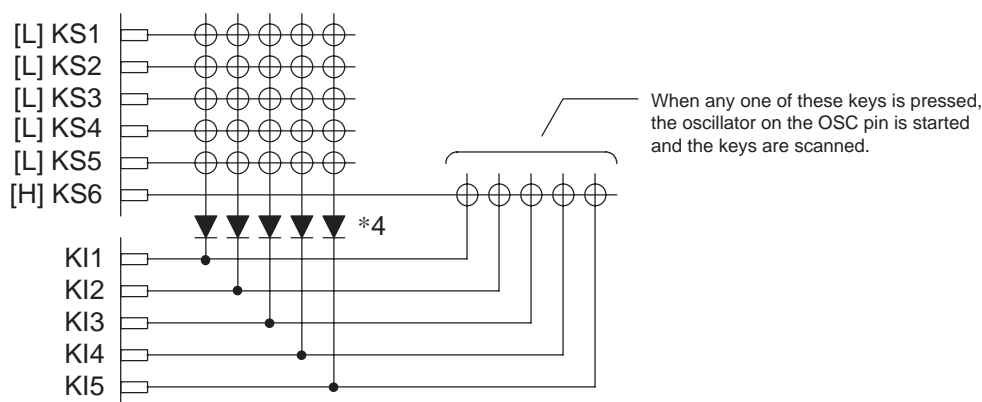


$$T = \frac{1}{f_{osc}}$$

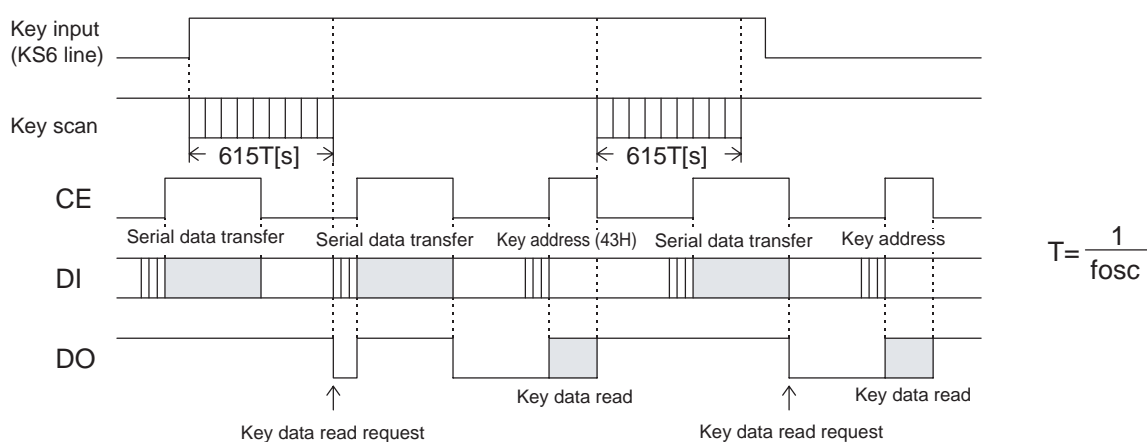
3. In sleep mode

- The pins KS1 to KS6 are set to high or low by the S0 and S1 bits in the control data. (See the control data description for details.)
- If a key on one of the lines corresponding to a KS1 to KS6 pin which is set high is pressed, the oscillator on the OSC pin is started and a key scan is performed. Keys are scanned until all keys are released. Multiple key presses are recognized by determining whether multiple key data bits are set.
- If a key is pressed for longer than  $615T(s)$  (Where  $T = \frac{1}{f_{osc}}$ ) the LC75804E/W outputs a key data read request (a low level on DO) to the controller. The controller acknowledges this request and reads the key data. However, if CE is high during a serial data transfer, DO will be set high.
- After the controller reads the key data, the key data read request is cleared (DO is set high) and the LC75804E/W performs another key scan. However, this does not clear sleep mode. Also note that DO, being an open-drain output, requires a pull-up resistor (between 1 and 10 kΩ).
- Sleep mode key scan example

Example: S0 = 0, S1 = 1 (sleep with only KS6 high)



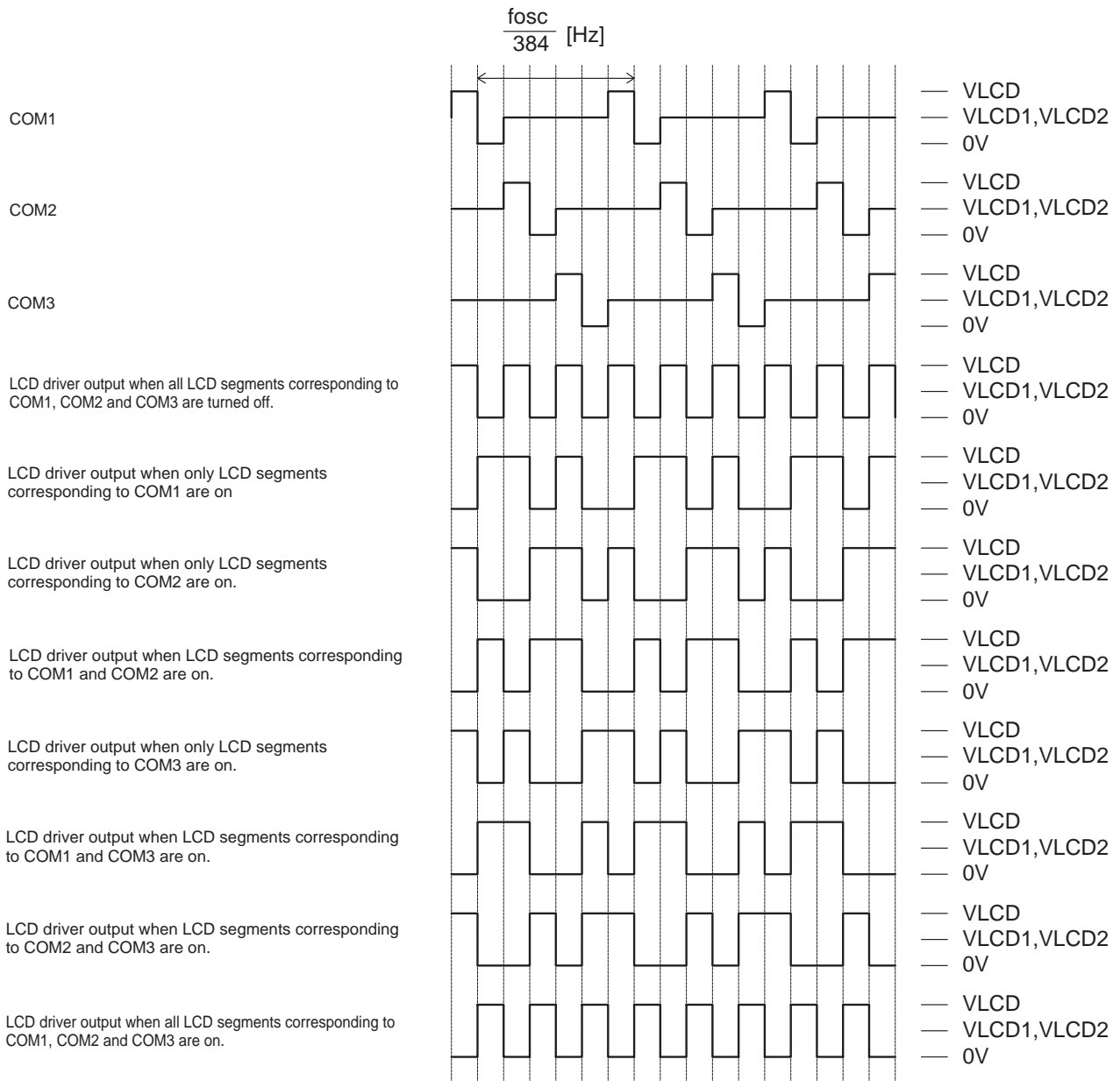
Note: \*4. These diodes are required to reliably recognize multiple key presses on the KS6 line when sleep mode state with only KS6 high, as in the above example. That is, these diodes prevent incorrect operations due to sneak currents in the KS6 key scan output signal when keys on the KS1 to KS5 lines are pressed at the same time.



**Multiple Key Presses**

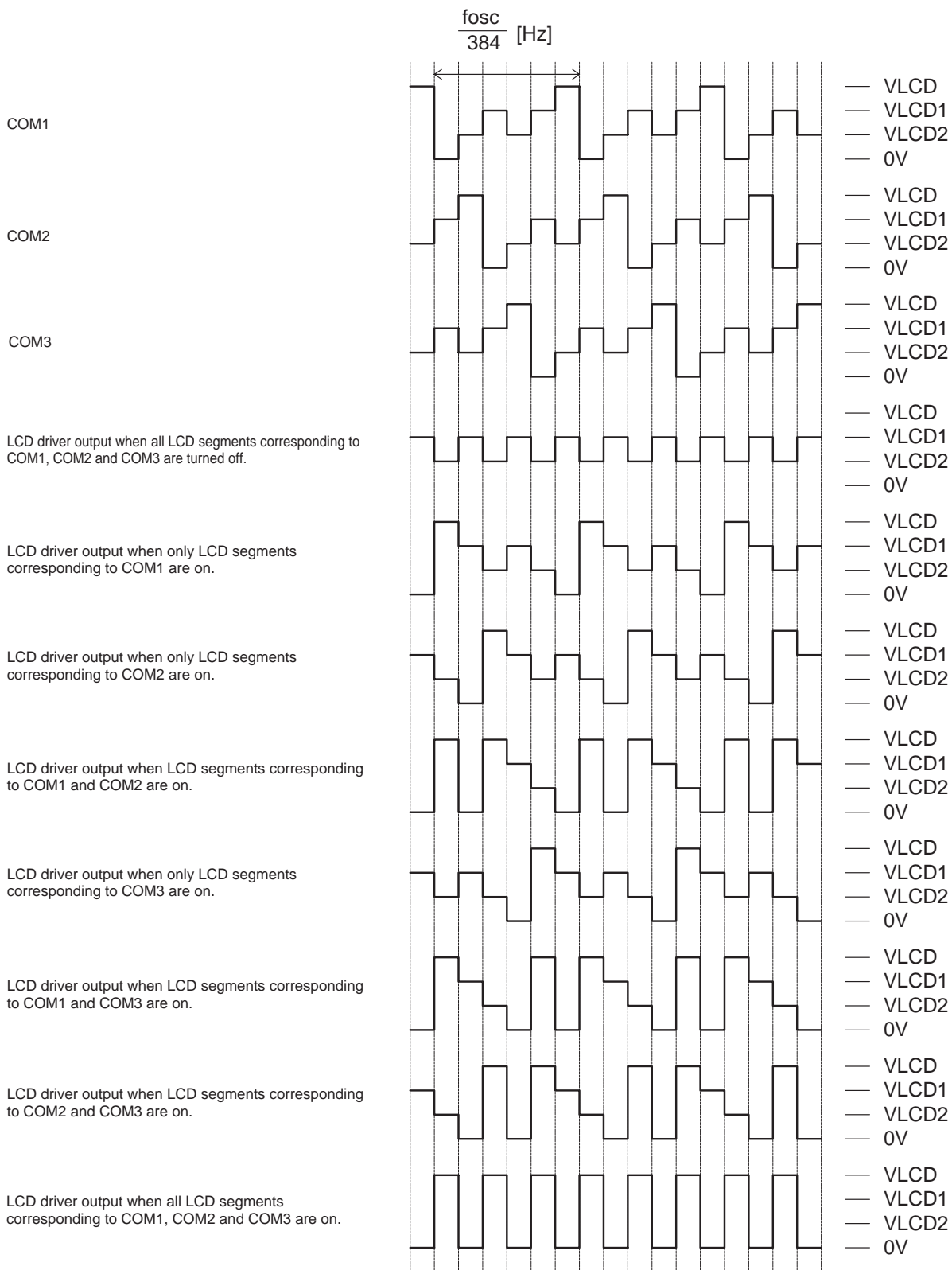
Although the LC75804E/W is capable of key scanning without inserting diodes for dual key presses, triple key presses on the KI1 to KI5 input pin lines, or multiple key presses on the KS1 to KS6 output pin lines, multiple presses other than these cases may result in keys that were not pressed recognized as having been pressed. Therefore, a diode must be inserted in series with each key. Applications that do not recognize multiple key presses of three or more keys should check the key data for three or more 1 bits and ignore such data.

1/3 Duty, 1/2 Bias Drive Technique



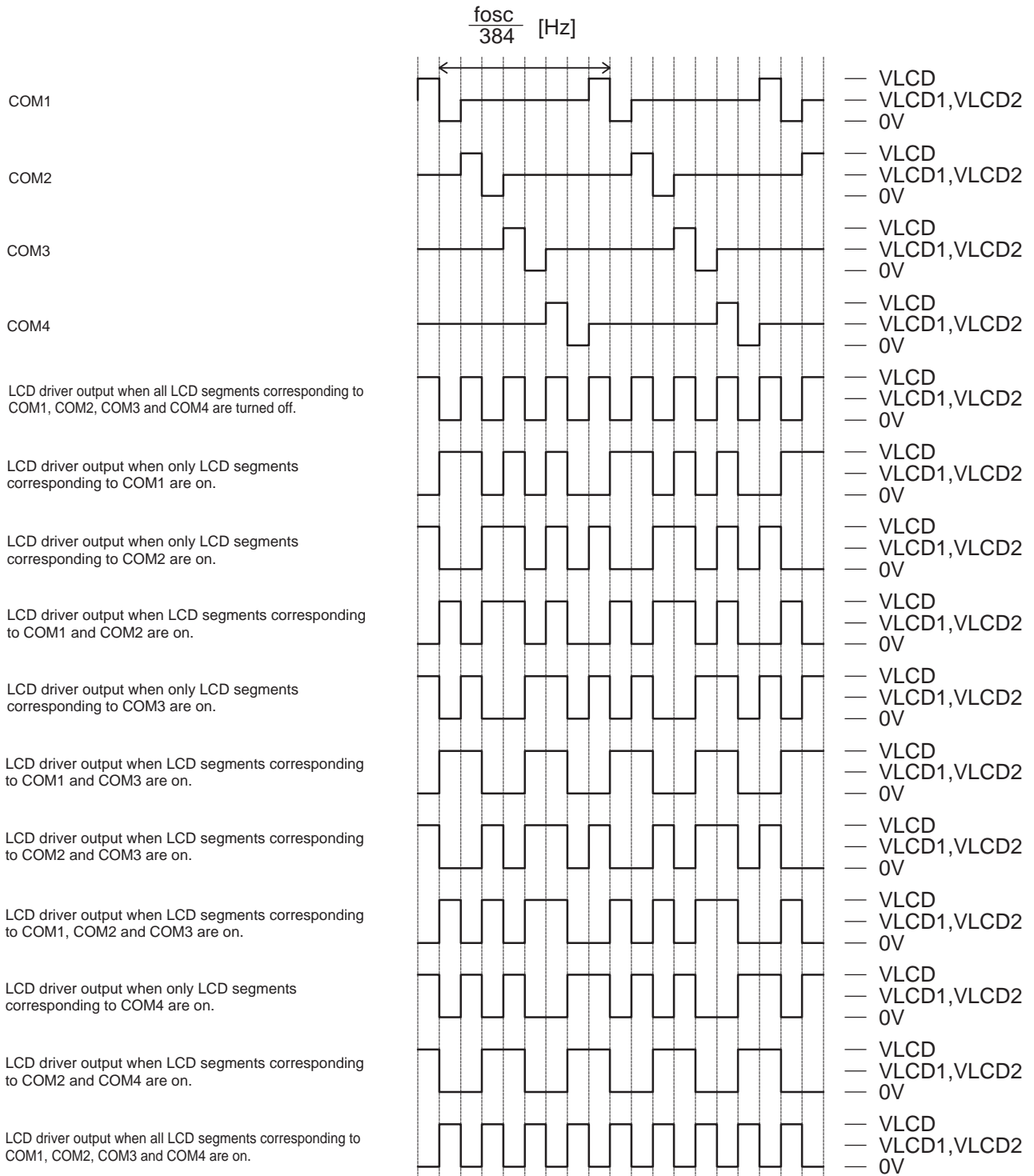
1/3 Duty, 1/2 Bias Waveforms

1/3 Duty, 1/3 Bias Drive Technique



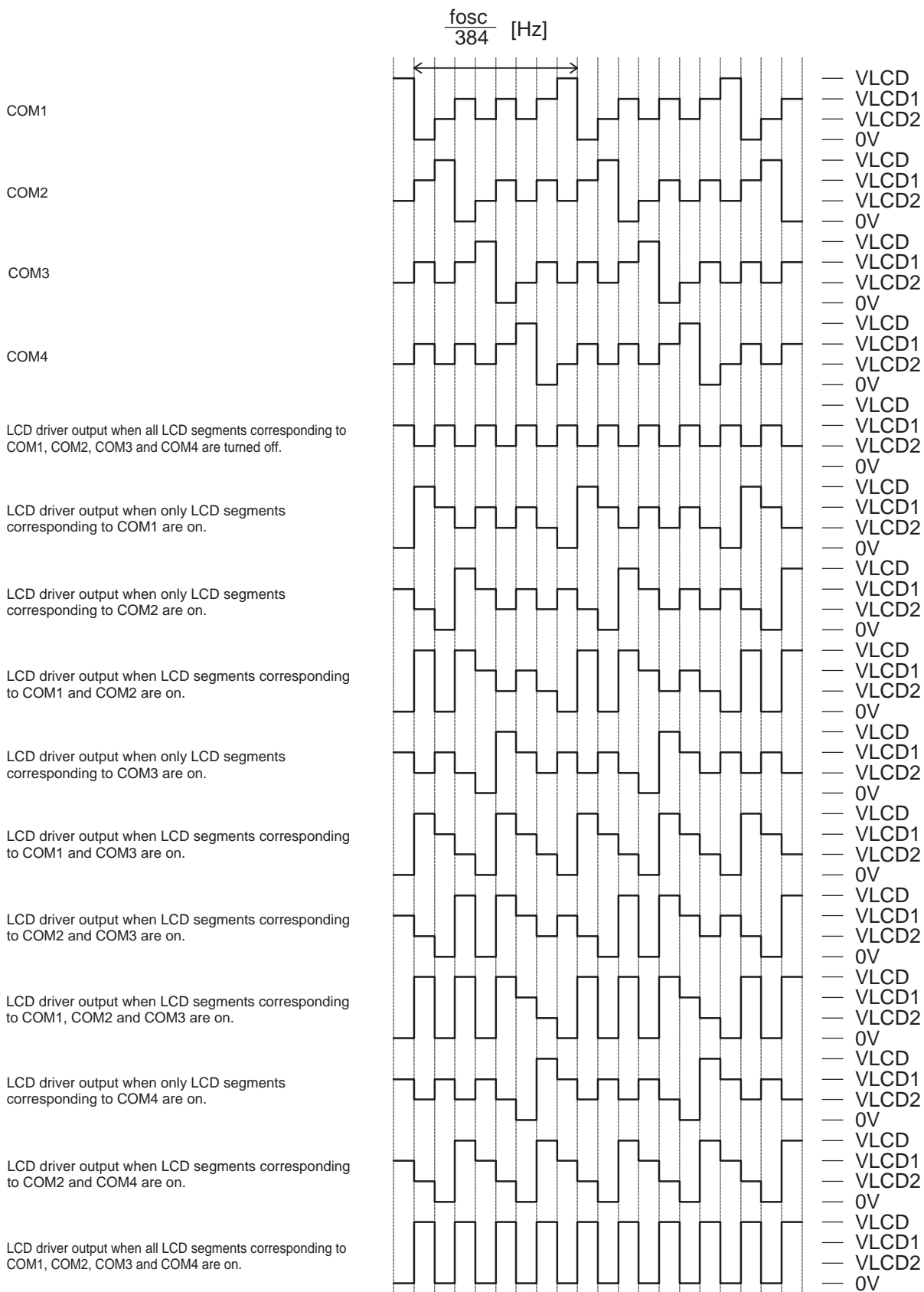
1/3 Duty, 1/3 Bias Waveforms

1/4 Duty, 1/2 Bias Drive Technique



1/4 Duty, 1/2 Bias Waveforms

1/4 Duty, 1/3 Bias Drive Technique



1/4 Duty, 1/3 Bias Waveforms

### Voltage Detection Type Reset Circuit (VDET)

This circuit generates an output signal and resets the system when logic block power is first applied and when the voltage drops, i.e., when the logic block power supply voltage is less than or equal to the power down detection voltage VDET, which is 3.0V, typical. To assure that this function operates reliably, a capacitor must be added to the logic block power supply line so that the logic block power supply voltage  $V_{DD}$  rise time when the logic block power is first applied and the logic block power supply voltage  $V_{DD}$  fall time when the voltage drops are both at least 1 ms. (See Figure 3 and Figure 4.)

### Power Supply Sequence

The following sequences must be observed when power is turned on and off. (See Figure 3 and Figure 4.)

- Power on :Logic block power supply( $V_{DD}$ ) on → LCD driver block power supply( $V_{LCD}$ ) on
- Power off:LCD driver block power supply( $V_{LCD}$ ) off → Logic block power supply( $V_{DD}$ ) off

However, if the logic and LCD driver block use a shared power supply, then the power supplies can be turned on and off at the same time.

### System Reset

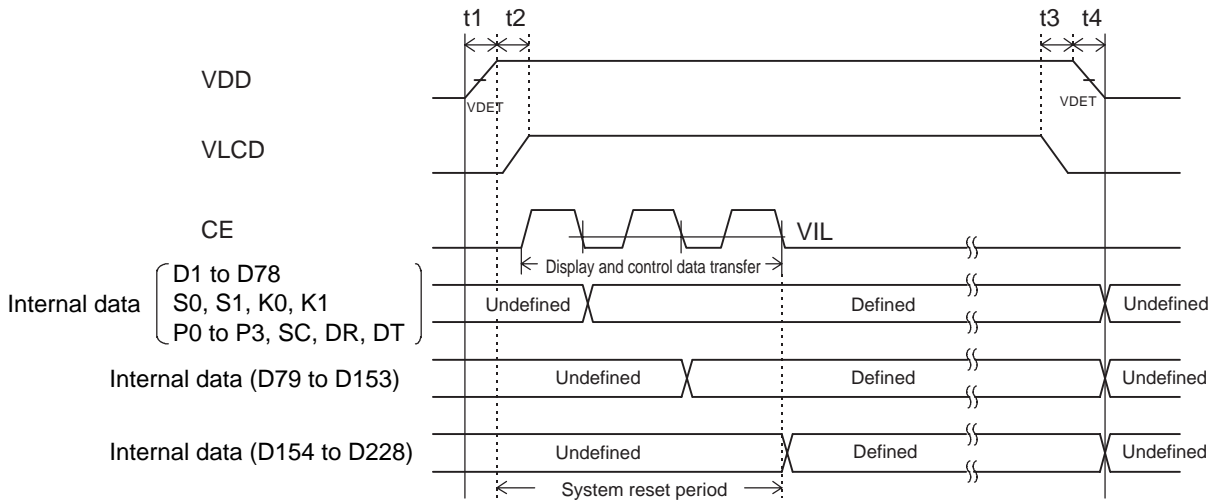
The LC75804E/W supports the reset methods described below. When a system reset is applied, display is turned off, key scanning is stopped, and all the key data is reset to low. When the reset is cleared, display is turned on and key scanning become possible.

#### 1. Reset methods

##### (1) Reset at power-on and power-down

If at least 1 ms is assured as the logic block supply voltage  $V_{DD}$  rise time when logic block power is applied, a system reset will be applied by the VDET output signal when the logic block supply voltage is brought up. If at least 1 ms is assured as the logic block supply voltage  $V_{DD}$  fall time when logic block power drops, a system reset will be applied in the same manner by the VDET output signal when the supply voltage is lowered. Note that the reset is cleared at the point when all the serial data (1/3 duty: the display data D1 to D228 and the control data, 1/4 duty: the display data D1 to D300 and the control data) has been transferred, i.e., on the fall of the CE signal on the transfer of the last direction data, after all the direction data has been transferred. However, the above operations will be performed regardless of the state (high or low) of the  $\overline{RES}$  pin. If  $\overline{RES}$  is high, the reset will be cleared at the point the above operations are completed. On the other hand, if  $\overline{RES}$  is low, the system will remain in the reset period as long as  $\overline{RES}$  is not set high, even if the above operations are completed. (See Figure 3 and Figure 4.)

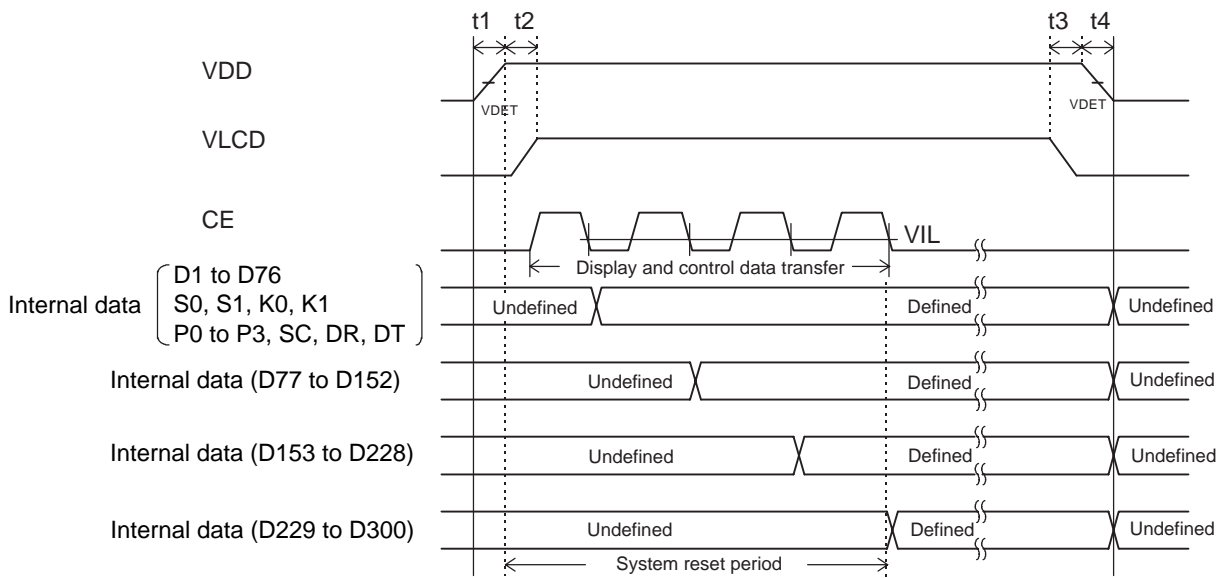
- 1/3 duty



Note:  $t1 \geq 1$  [ms] (Logic block power supply voltage  $V_{DD}$  rise time)  
 $t2 \geq 0$   
 $t3 \geq 0$   
 $t4 \geq 1$  [ms] (Logic block power supply voltage  $V_{DD}$  fall time)

Figure 3

- 1/4 duty



Note:  $t1 \geq 1$  [ms] (Logic block power supply voltage  $V_{DD}$  rise time)  
 $t2 \geq 0$   
 $t3 \geq 0$   
 $t4 \geq 1$  [ms] (Logic block power supply voltage  $V_{DD}$  fall time)

Figure 4



(2) Reset when the logic block power supply voltage is in the allowable operating range ( $V_{DD} = 4.5$  to  $6.0V$ )  
The system is reset when the  $\overline{RES}$  pin is set low, and the reset is cleared by setting  $\overline{RES}$  pin high.

2. LC75804E/W internal block states during the reset period

- **CLOCK GENERATOR**

Reset is applied and the base clock is stopped. However, the OSC pin state (normal or sleep mode) is determined after the S0 and S1 control data bits are transferred.

- **COMMON DRIVER, SEGMENT DRIVER & LATCH**

Reset is applied and the display is turned off. However, display data can be input to the latch circuit in this state.

- **KEY SCAN**

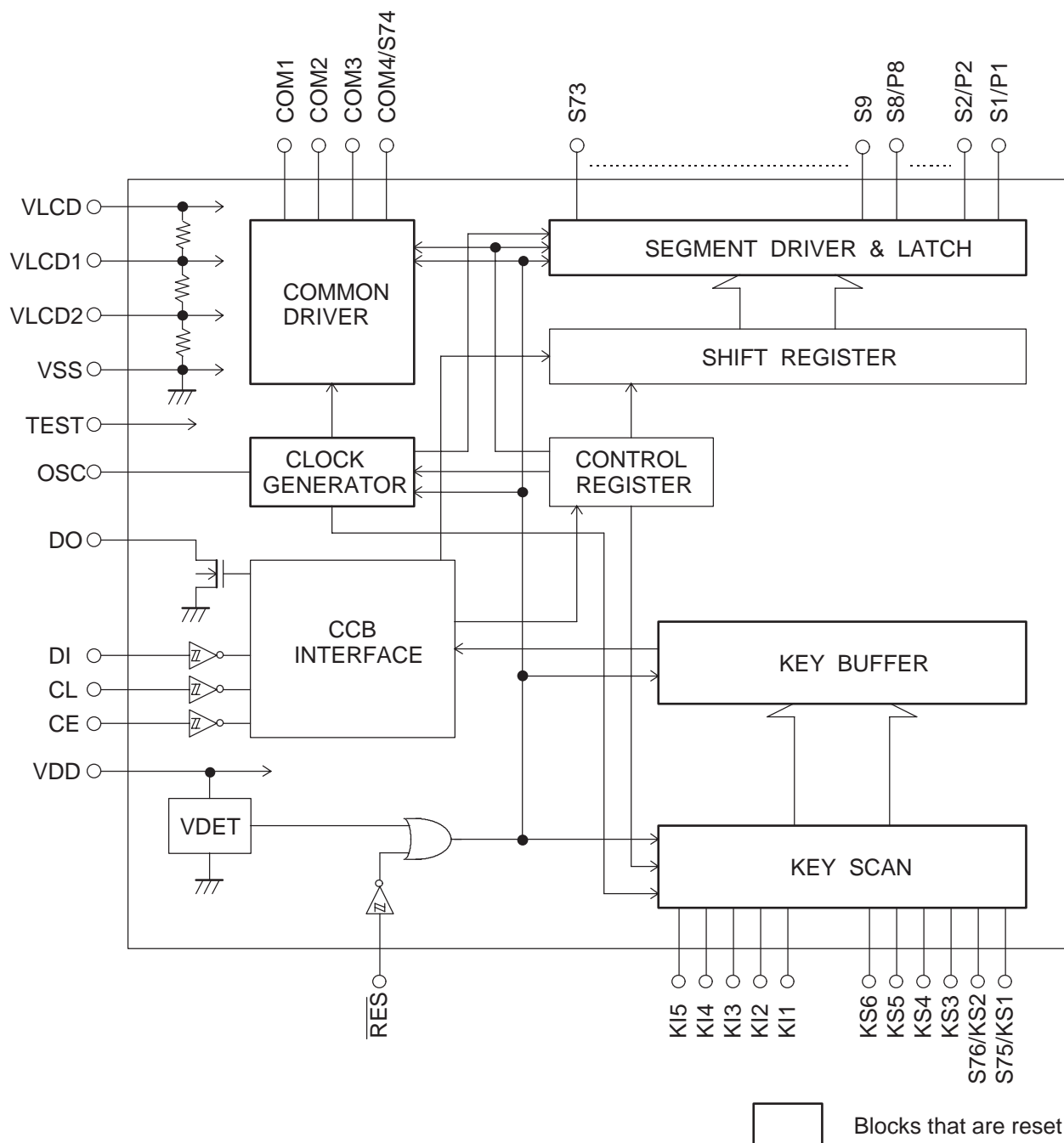
Reset is applied, the circuit is set to the initial state, and at the same time the key scan operation is disabled.

- **KEY BUFFER**

Reset is applied and all the key data is set to low.

- **CCB INTERFACE, CONTROL REGISTER, SHIFT REGISTER**

Since serial data transfer is possible, these circuits are not reset.



### 3. Output pin states during the reset period

Output pin	State during reset
S1/P1 to S8/P8	L *5
S9 to S73	L
COM1 to COM3	L
COM4/S74	L *6
KS1/S75, KS2/S76	L *5
KS3 to KS5	X *7
KS6	H
DO	H *8

X: don't care

Notes:\*5. These output pins are forcibly set to the segment output function and held low.

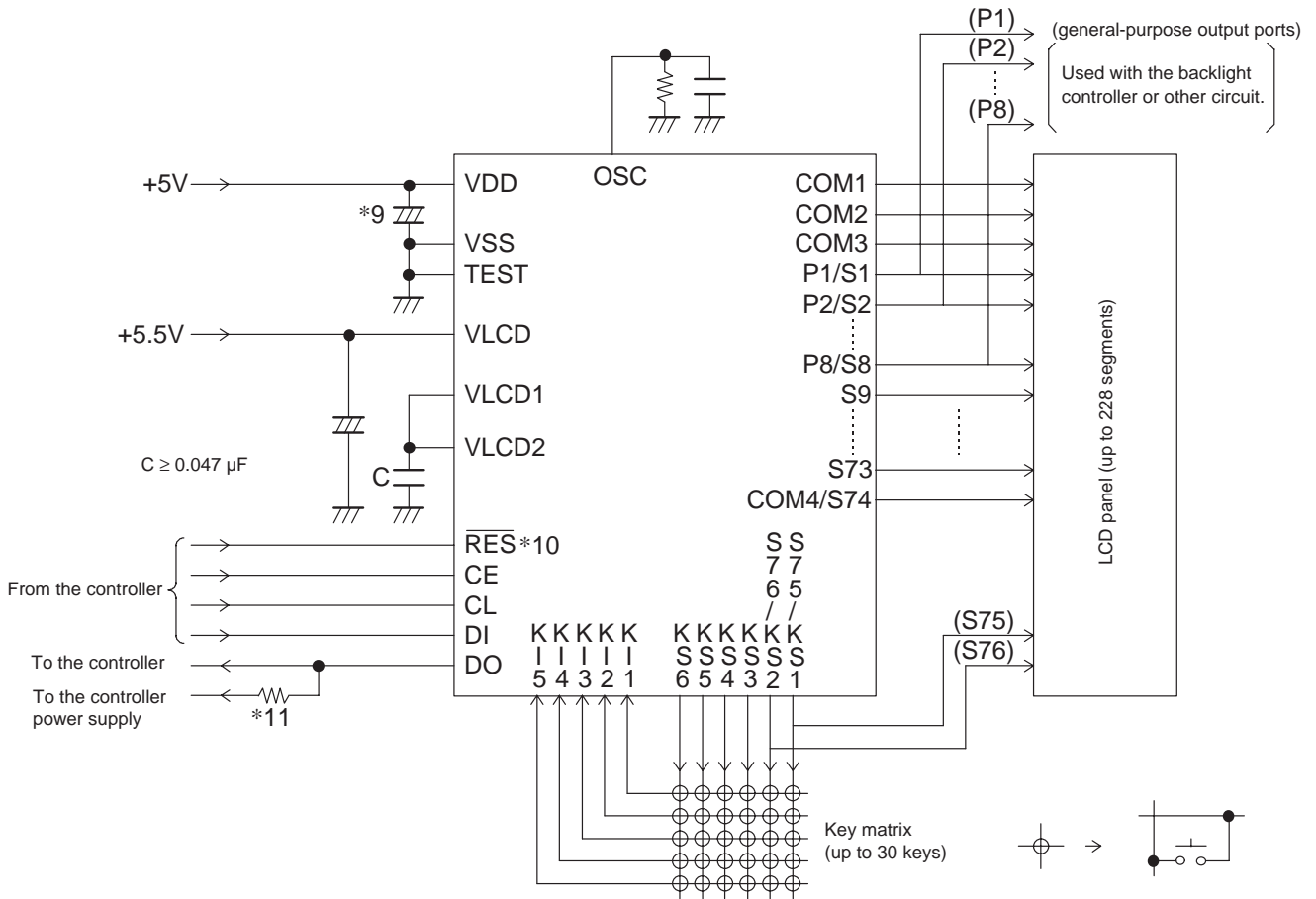
\*6. When power is first applied, this output pin is forcibly set to the common output function and held low. However, when the DT control data bit is transferred, either the common output or the segment output function is selected.

\*7. When power is first applied, these output pins are undefined until the S0 and S1 control data bits have been transferred.

\*8. Since this output pin is an open-drain output, a pull-up resistor of between 1 and 10 kΩ is required. This pin remains high during the reset period even if a key data read operation is performed.

**Sample Application Circuit 1**

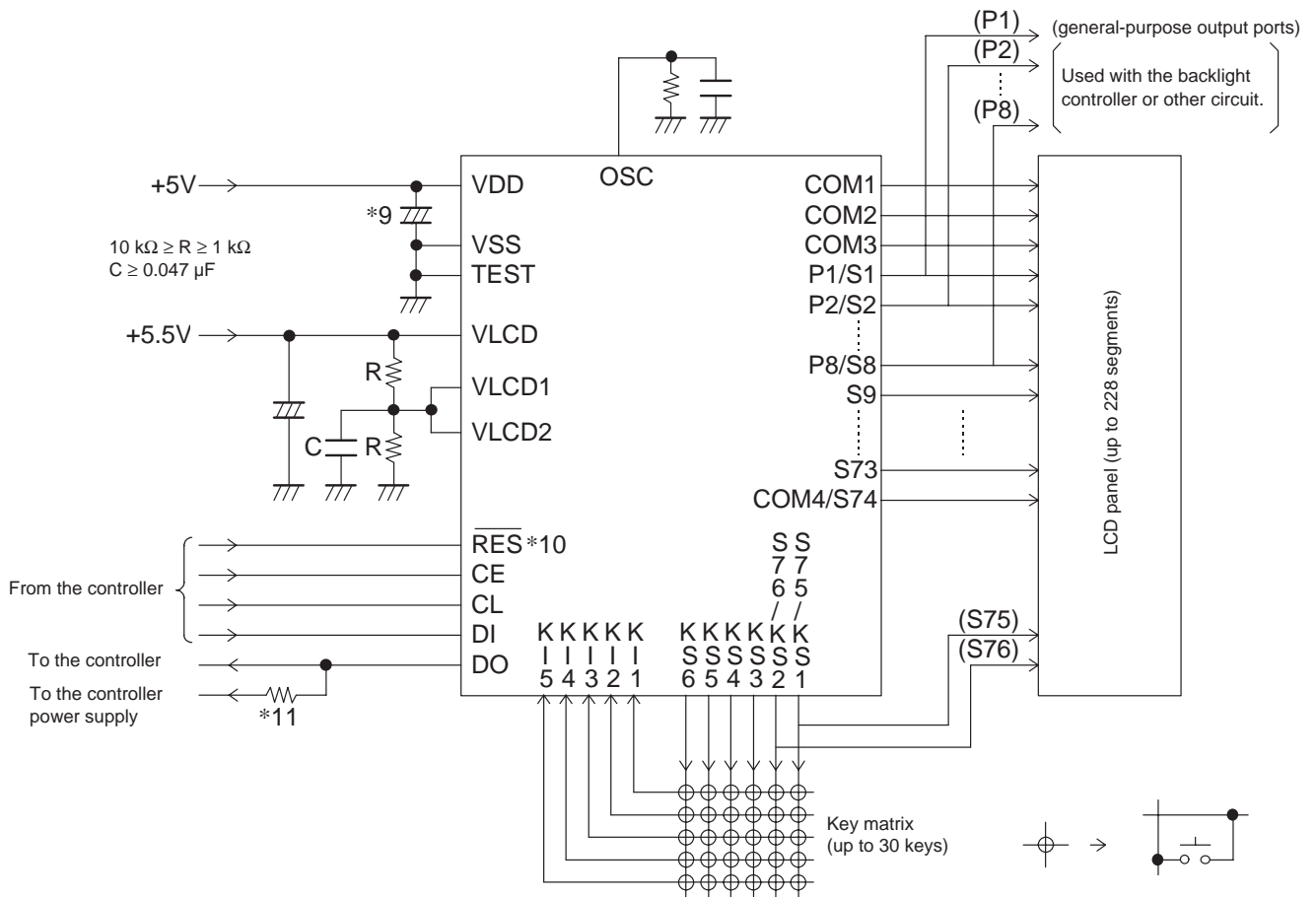
1/3 duty, 1/2 bias (for use with normal panels)



- Notes: \*9. Add a capacitor to the logic block power supply line so that the logic block power supply voltage  $V_{DD}$  rise time when power is applied and the logic block power supply voltage  $V_{DD}$  fall time when power drops are both at least 1 ms, as the LC75804E/W is reset by the VDET.
- \*10. If the RES pin is not used for system reset, it must be connected to the logic block power supply  $V_{DD}$ .
- \*11. The DO pin, being an open-drain output, requires a pull-up resistor. Select a resistance (between 1 to 10  $k\Omega$ ) appropriate for the capacitance of the external wiring so that signal waveforms are not degraded.

**Sample Application Circuit 2**

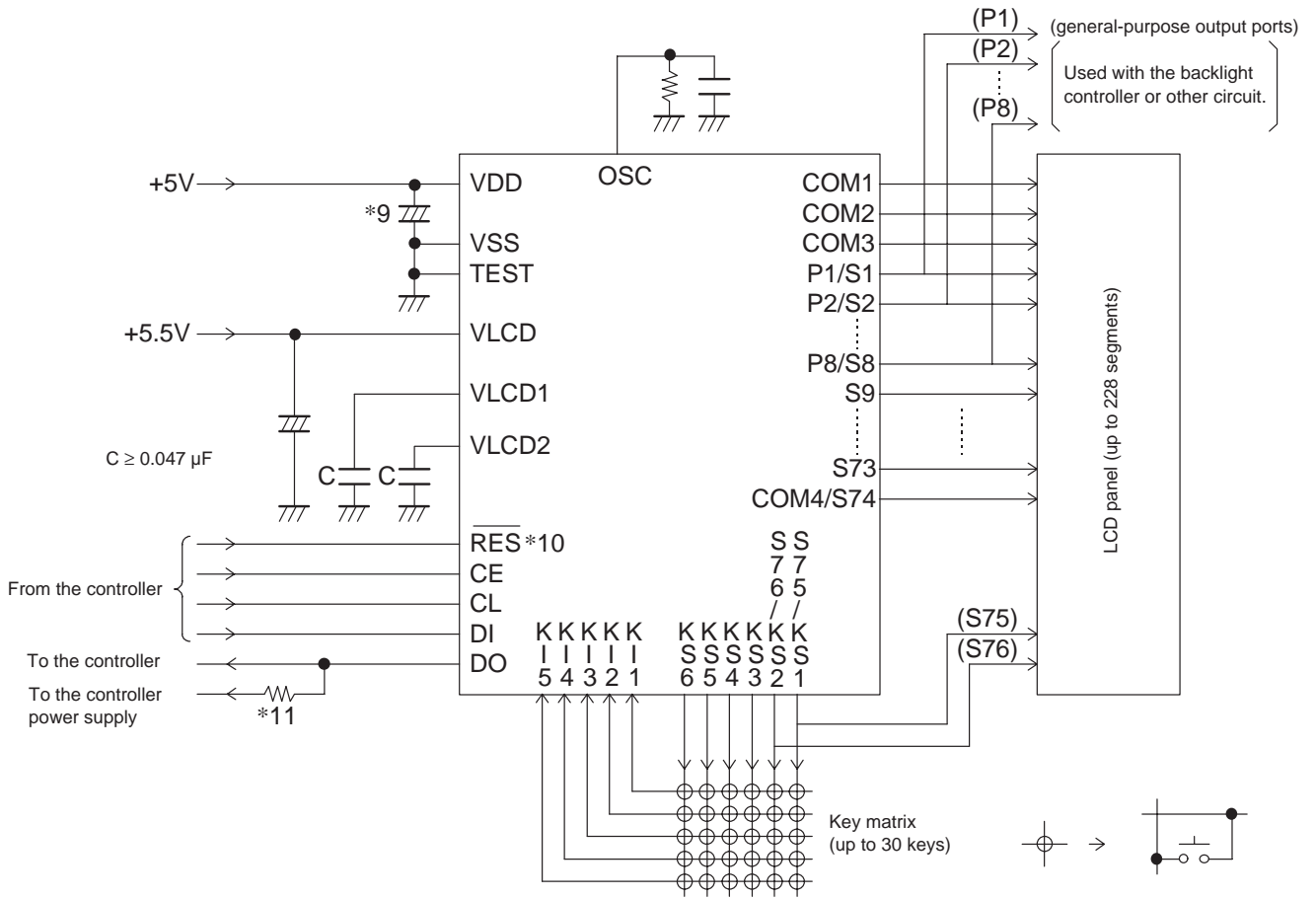
1/3 duty, 1/2 bias (for use with large panels)



- Notes:
- \*9. Add a capacitor to the logic block power supply line so that the logic block power supply voltage  $V_{DD}$  rise time when power is applied and the logic block power supply voltage  $V_{DD}$  fall time when power drops are both at least 1 ms, as the LC75804E/W is reset by the VDET.
  - \*10. If the RES pin is not used for system reset, it must be connected to the logic block power supply  $V_{DD}$ .
  - \*11. The DO pin, being an open-drain output, requires a pull-up resistor. Select a resistance (between 1 to 10 k $\Omega$ ) appropriate for the capacitance of the external wiring so that signal waveforms are not degraded.

**Sample Application Circuit 3**

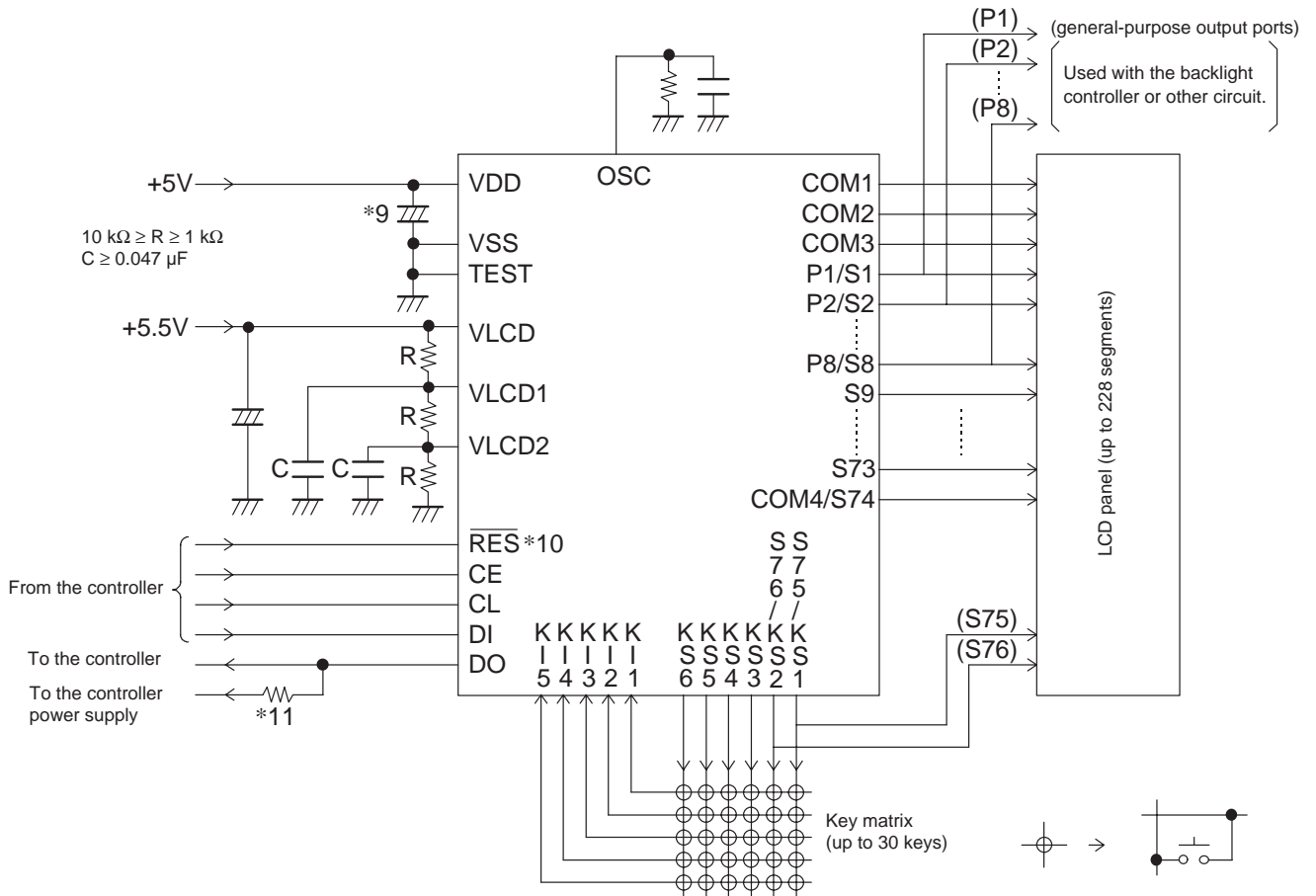
1/3 duty, 1/3 bias (for use with normal panels)



- Notes:
- \*9. Add a capacitor to the logic block power supply line so that the logic block power supply voltage  $V_{DD}$  rise time when power is applied and the logic block power supply voltage  $V_{DD}$  fall time when power drops are both at least 1 ms, as the LC75804E/W is reset by the VDET.
  - \*10. If the RES pin is not used for system reset, it must be connected to the logic block power supply  $V_{DD}$ .
  - \*11. The DO pin, being an open-drain output, requires a pull-up resistor. Select a resistance (between 1 to 10 kΩ) appropriate for the capacitance of the external wiring so that signal waveforms are not degraded.

**Sample Application Circuit 4**

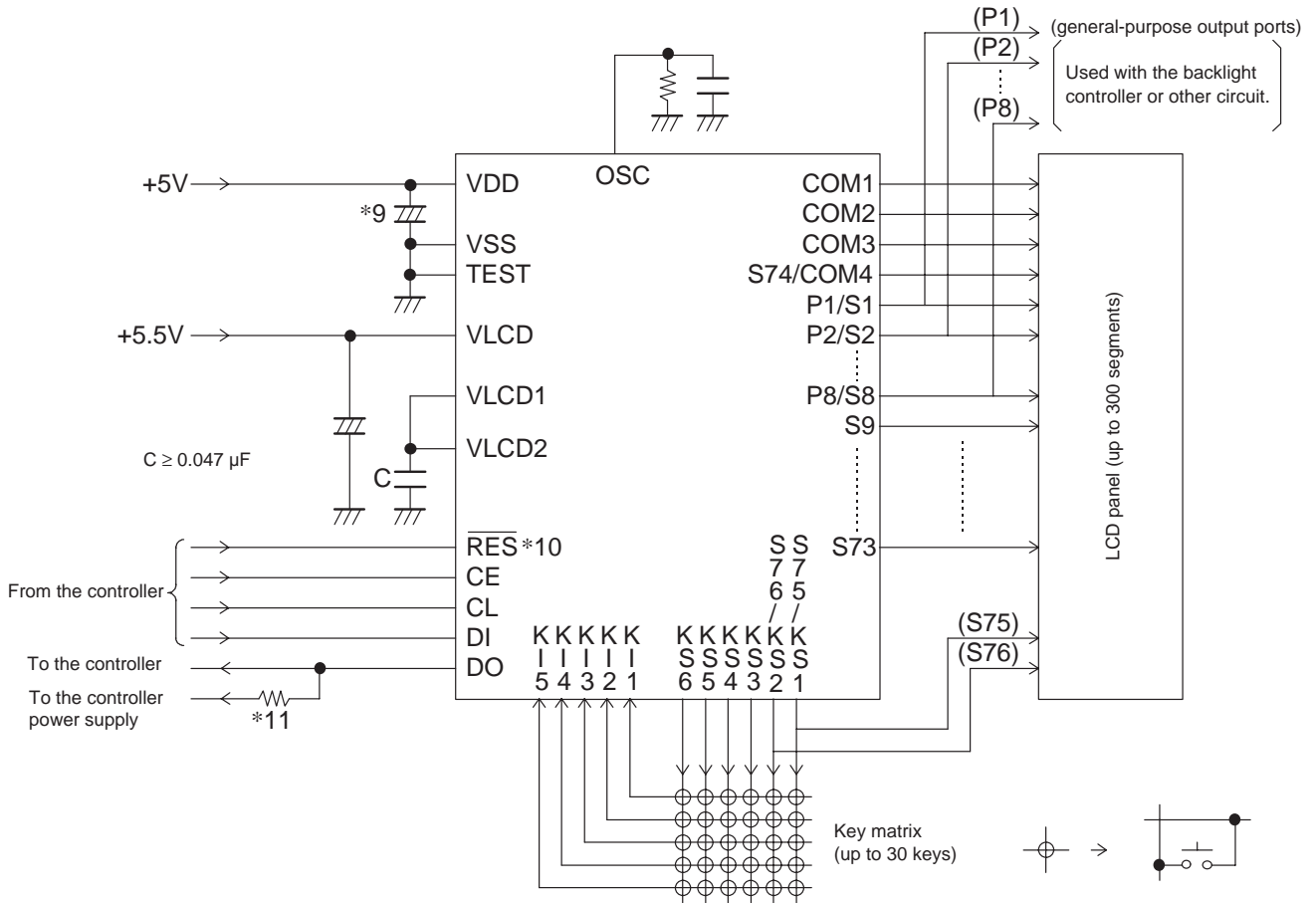
1/3 duty, 1/3 bias (for use with large panels)



- Notes:
- \*9. Add a capacitor to the logic block power supply line so that the logic block power supply voltage  $V_{DD}$  rise time when power is applied and the logic block power supply voltage  $V_{DD}$  fall time when power drops are both at least 1 ms, as the LC75804E/W is reset by the VDET.
  - \*10. If the RES pin is not used for system reset, it must be connected to the logic block power supply  $V_{DD}$ .
  - \*11. The DO pin, being an open-drain output, requires a pull-up resistor. Select a resistance (between 1 to 10 k $\Omega$ ) appropriate for the capacitance of the external wiring so that signal waveforms are not degraded.

**Sample Application Circuit 5**

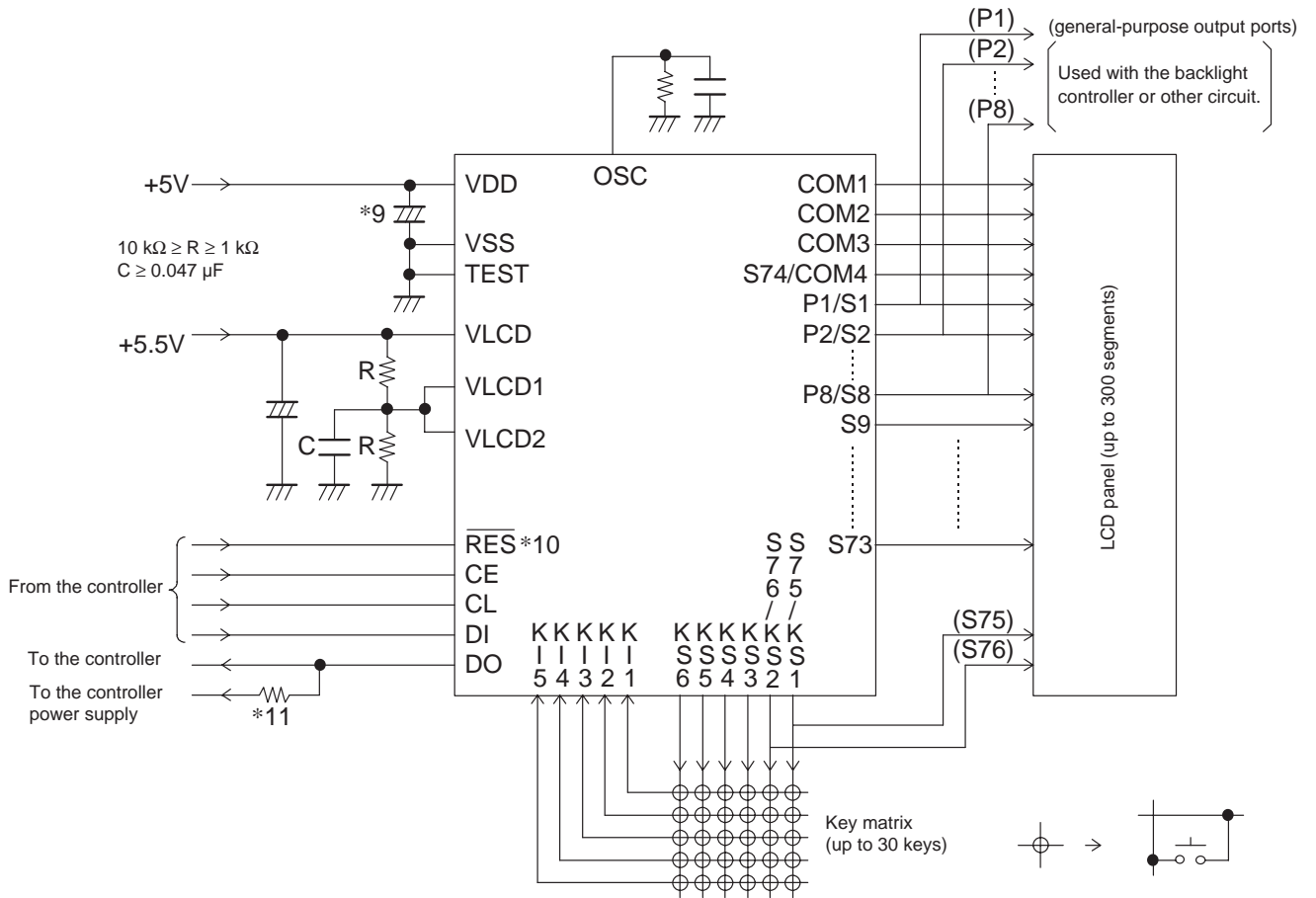
1/4 duty, 1/2 bias (for use with normal panels)



- Notes:
- \*9. Add a capacitor to the logic block power supply line so that the logic block power supply voltage  $V_{DD}$  rise time when power is applied and the logic block power supply voltage  $V_{DD}$  fall time when power drops are both at least 1 ms, as the LC75804E/W is reset by the VDET.
  - \*10. If the RES pin is not used for system reset, it must be connected to the logic block power supply  $V_{DD}$ .
  - \*11. The DO pin, being an open-drain output, requires a pull-up resistor. Select a resistance (between 1 to 10 kΩ) appropriate for the capacitance of the external wiring so that signal waveforms are not degraded.

**Sample Application Circuit 6**

1/4 duty, 1/2 bias (for use with large panels)

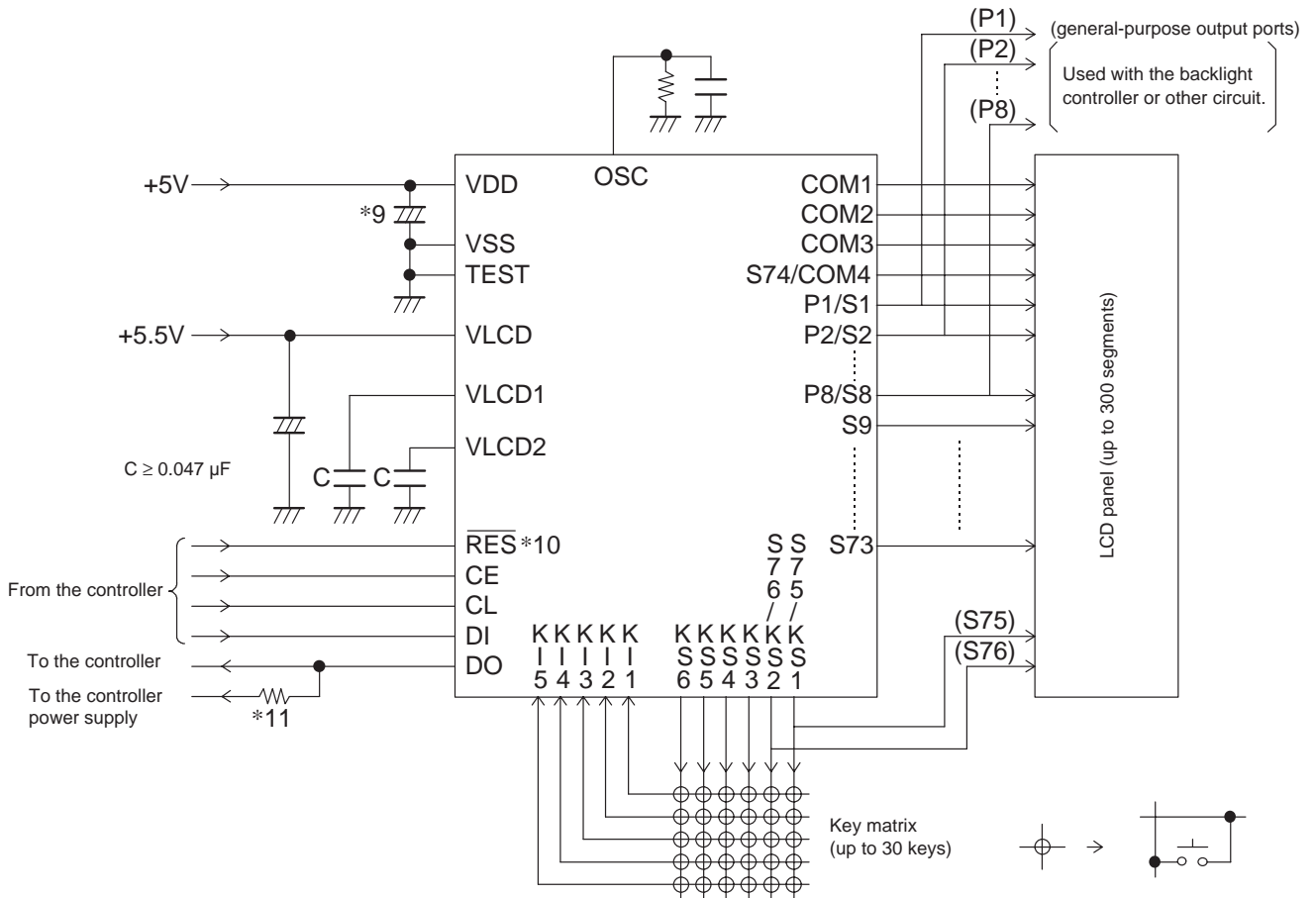


- Notes:
- \*9. Add a capacitor to the logic block power supply line so that the logic block power supply voltage  $V_{DD}$  rise time when power is applied and the logic block power supply voltage  $V_{DD}$  fall time when power drops are both at least 1 ms, as the LC75804E/W is reset by the VDET.
  - \*10. If the RES pin is not used for system reset, it must be connected to the logic block power supply  $V_{DD}$ .
  - \*11. The DO pin, being an open-drain output, requires a pull-up resistor. Select a resistance (between 1 to 10 k $\Omega$ ) appropriate for the capacitance of the external wiring so that signal waveforms are not degraded.



**Sample Application Circuit 7**

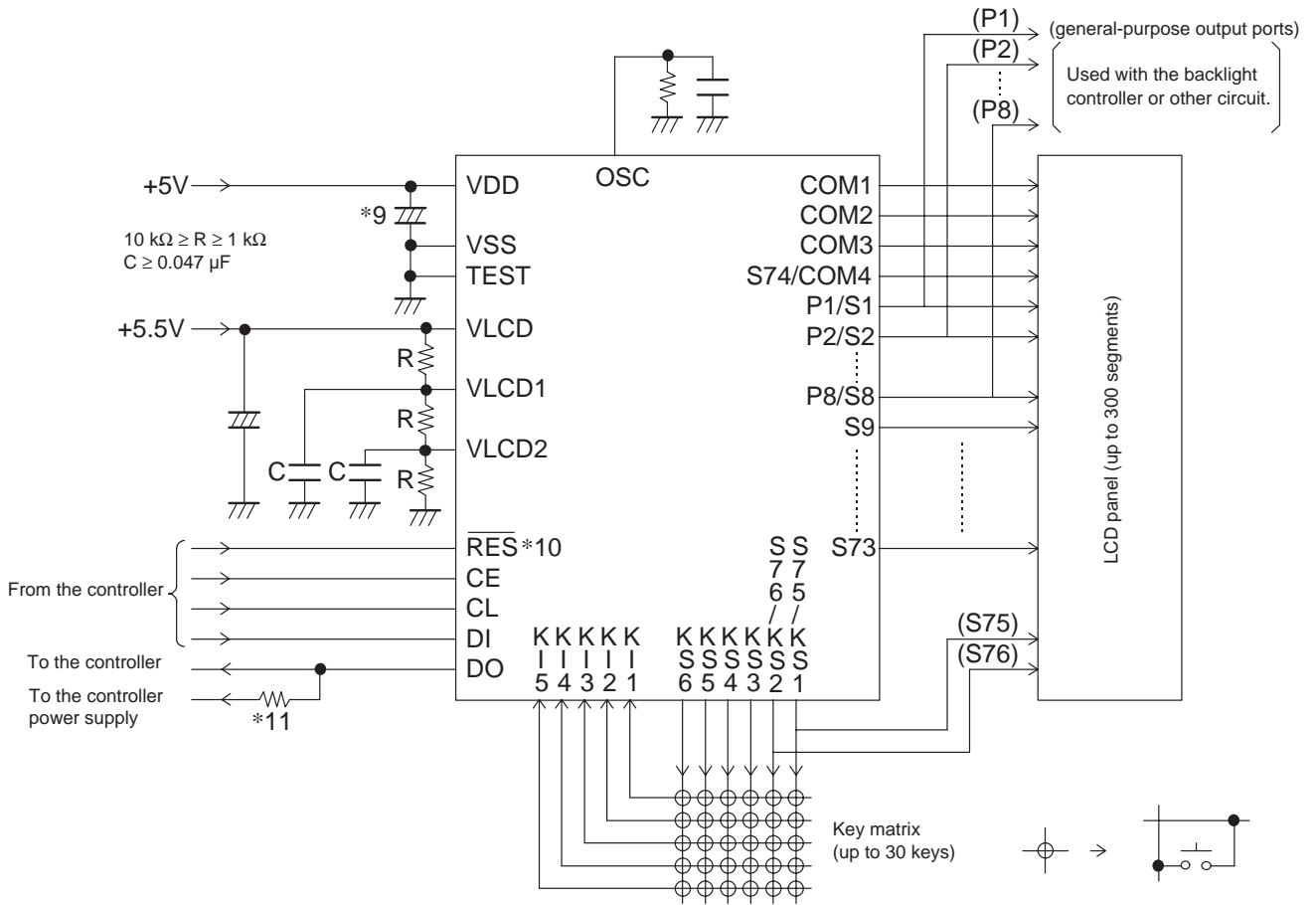
1/4 duty, 1/3 bias (for use with normal panels)



- Notes:
- \*9. Add a capacitor to the logic block power supply line so that the logic block power supply voltage  $V_{DD}$  rise time when power is applied and the logic block power supply voltage  $V_{DD}$  fall time when power drops are both at least 1 ms, as the LC75804E/W is reset by the VDET.
  - \*10. If the RES pin is not used for system reset, it must be connected to the logic block power supply  $V_{DD}$ .
  - \*11. The DO pin, being an open-drain output, requires a pull-up resistor. Select a resistance (between 1 to 10 kΩ) appropriate for the capacitance of the external wiring so that signal waveforms are not degraded.

**Sample Application Circuit 8**

1/4 duty, 1/3 bias (for use with large panels)



- Notes:
- \*9. Add a capacitor to the logic block power supply line so that the logic block power supply voltage  $V_{DD}$  rise time when power is applied and the logic block power supply voltage  $V_{DD}$  fall time when power drops are both at least 1 ms, as the LC75804E/W is reset by the VDET.
  - \*10. If the RES pin is not used for system reset, it must be connected to the logic block power supply  $V_{DD}$ .
  - \*11. The DO pin, being an open-drain output, requires a pull-up resistor. Select a resistance (between 1 to 10 k $\Omega$ ) appropriate for the capacitance of the external wiring so that signal waveforms are not degraded.

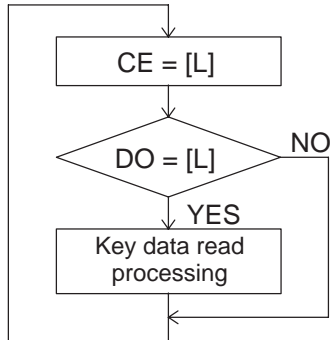
**Notes on transferring display data from the controller**

When using the LC75804E/W in 1/3 duty, applications transfer the display data (D1 to D228) in three operations, and in 1/4 duty, they transfer the display data (D1 to D300) in four operations. In either case, applications should transfer all of the display data within 30 ms to maintain the quality of the displayed image.

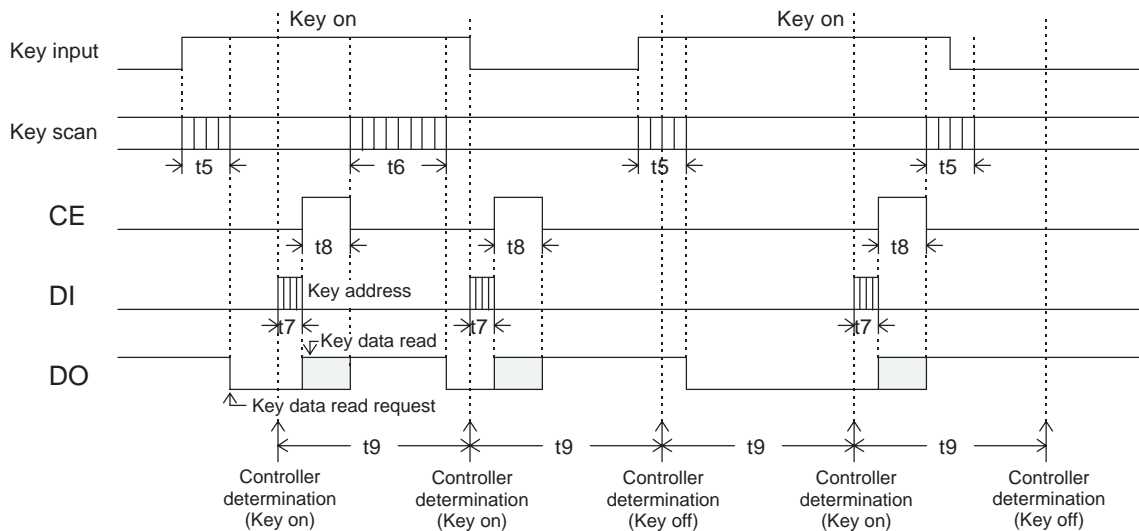
Notes on the controller key data read techniques

1. Timer based key data acquisition

(1) Flowchart



(2) Timing chart



t5: Key scan execution time when the key data agreed for two key scans. (615T(s))  
 t6: Key scan execution time when the key data did not agree for two key scans and the key scan was executed again. (1230T(s))  
 t7: Key address (43H) transfer time  
 t8: Key data read time  

$$T = \frac{1}{f_{osc}}$$

(3) Explanation

In this technique, the controller uses a timer to determine key on/off states and read the key data. The controller must check the DO state when CE is low every t9 period without fail. If DO is low, the controller recognizes that a key has been pressed and executes the key data read operation.

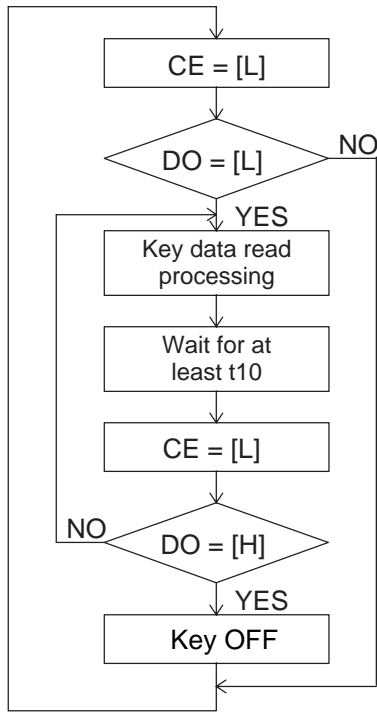
The period t9 in this technique must satisfy the following condition.

$$t9 > t6 + t7 + t8$$

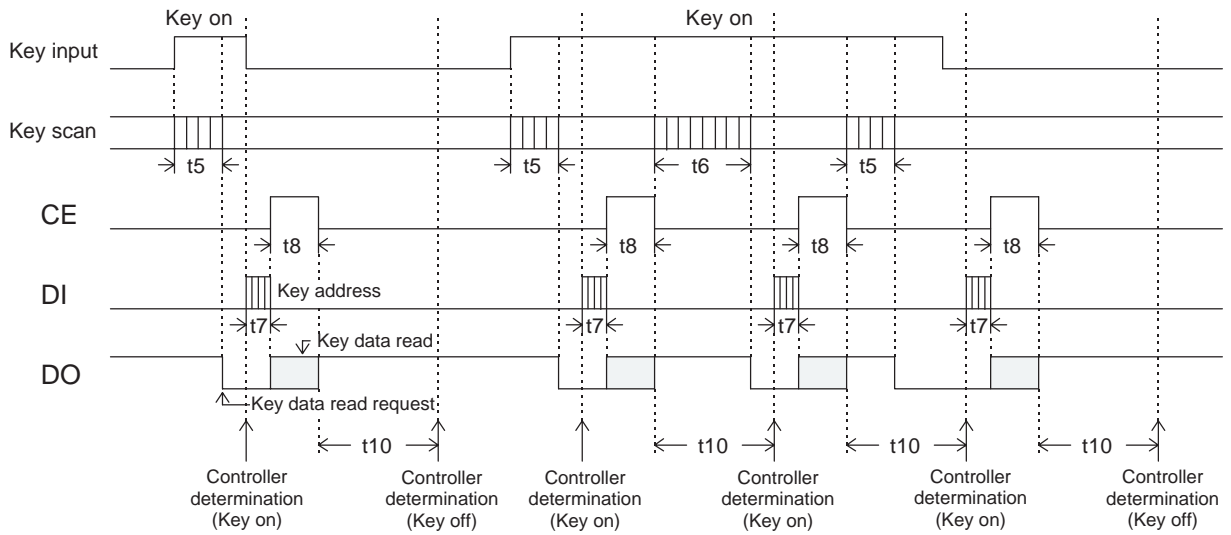
If a key data read operation is executed when DO is high, the read key data (KD1 to KD30) and sleep acknowledge data (SA) will be invalid.

2. Interrupt based key data acquisition

(1) Flowchart



(2) Timing chart



t5: Key scan execution time when the key data agreed for two key scans. (615T(s))

t6: Key scan execution time when the key data did not agree for two key scans and the key scan was executed again. (1230T(s))

t7: Key address (43H) transfer time

t8: Key data read time

$$T = \frac{1}{f_{osc}}$$

(3) Explanation

In this technique, the controller uses interrupts to determine key on/off states and read the key data. The controller must check the DO state when CE is low. If DO is low, the controller recognizes that a key has been pressed and executes the key data read operation. After that the next key on/off determination is performed after the time t10 has elapsed by checking the DO state when CE is low and reading the key data. The period t10 in this technique must satisfy the following condition.

$$t10 > t6$$

If a key data read operation is executed when DO is high, the read key data (KD1 to KD30) and sleep acknowledge data (SA) will be invalid.

- Specifications of any and all SANYO products described or contained herein stipulate the performance, characteristics, and functions of the described products in the independent state, and are not guarantees of the performance, characteristics, and functions of the described products as mounted in the customer's products or equipment. To verify symptoms and states that cannot be evaluated in an independent device, the customer should always evaluate and test devices mounted in the customer's products or equipment.
- SANYO Electric Co., Ltd. strives to supply high-quality high-reliability products. However, any and all semiconductor products fail with some probability. It is possible that these probabilistic failures could give rise to accidents or events that could endanger human lives, that could give rise to smoke or fire, or that could cause damage to other property. When designing equipment, adopt safety measures so that these kinds of accidents or events cannot occur. Such measures include but are not limited to protective circuits and error prevention circuits for safe design, redundant design, and structural design.
- In the event that any or all SANYO products (including technical data, services) described or contained herein are controlled under any of applicable local export control laws and regulations, such products must not be exported without obtaining the export license from the authorities concerned in accordance with the above law.
- No part of this publication may be reproduced or transmitted in any form or by any means, electronic or mechanical, including photocopying and recording, or any information storage or retrieval system, or otherwise, without the prior written permission of SANYO Electric Co., Ltd.
- Any and all information described or contained herein are subject to change without notice due to product/technology improvement, etc. When designing equipment, refer to the "Delivery Specification" for the SANYO product that you intend to use.
- Information (including circuit diagrams and circuit parameters) herein is for example only; it is not guaranteed for volume production. SANYO believes information herein is accurate and reliable, but no guarantees are made or implied regarding its use or any infringements of intellectual property rights or other rights of third parties.

This catalog provides information as of December, 1999. Specifications and information herein are subject to change without notice.