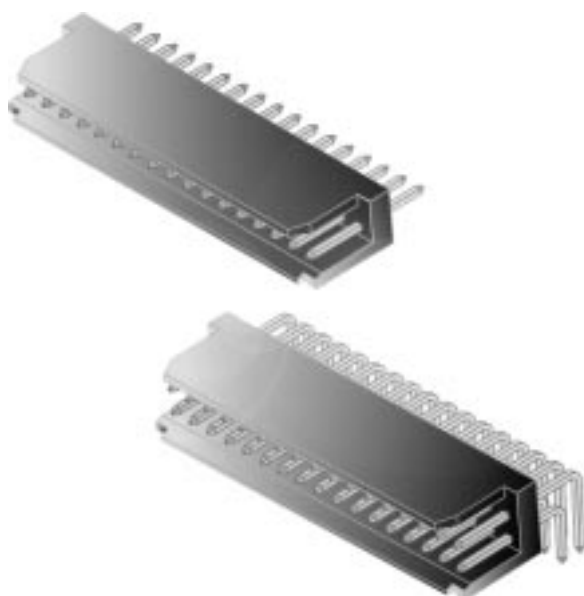


# Dubox™ Shrouded Headers 2.54 mm



- For use with Dubox™ crimp-to-wire housings
- Stackable end-to-end
- Passive latching, anti-reverse and anti-miss-match when used with Dubox™ crimp-to-wire housings
- Selective plating

**24 HOUR  
SAMPLES**

## Technical Data

### Physical

Housing: Glass filled thermoplastic polyester, blue

Flammability rating: UL 94 V-0

Contact: Phosphor-bronze

Plating: Gold or tin-lead over 1.27 µm nickel

### Electrical Performance

Current rating: 3 A continuous

Insulation resistance: 1x 10<sup>5</sup> MΩ min.

Dielectric withstanding voltage: 1000 V rms

### Mechanical Performance

Contact retention to housing:  
20 N min.


### Operating Temperature Range


-40°C to +125°C

### Packaging

Tube

### Reference Information

 File no. E66906

 File no. LR46923

Product drawing: By 5-digit base part number

Application specification: TA-531

Specifications subject to change without notice.

## Mating Data

	Page
■ Dubox™ Crimp-to-wire contacts	18
■ Dubox™ Crimp-to-wire housings	20

## Processing Information

Compatible with wave soldering processes

Part Number



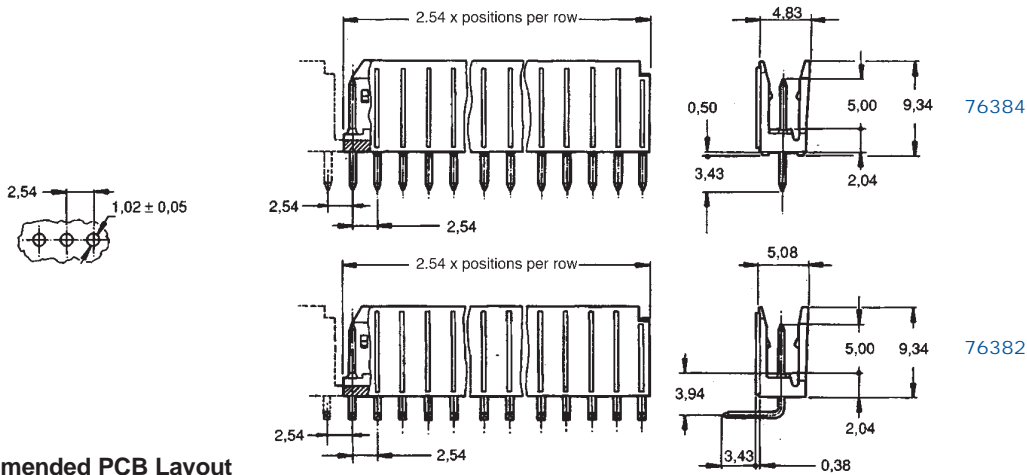
- 76384 = Single row, straight
- 76382 = Single row, right angle
- 76385 = Double row, straight
- 76383 = Double row, right angle

02 up to 36

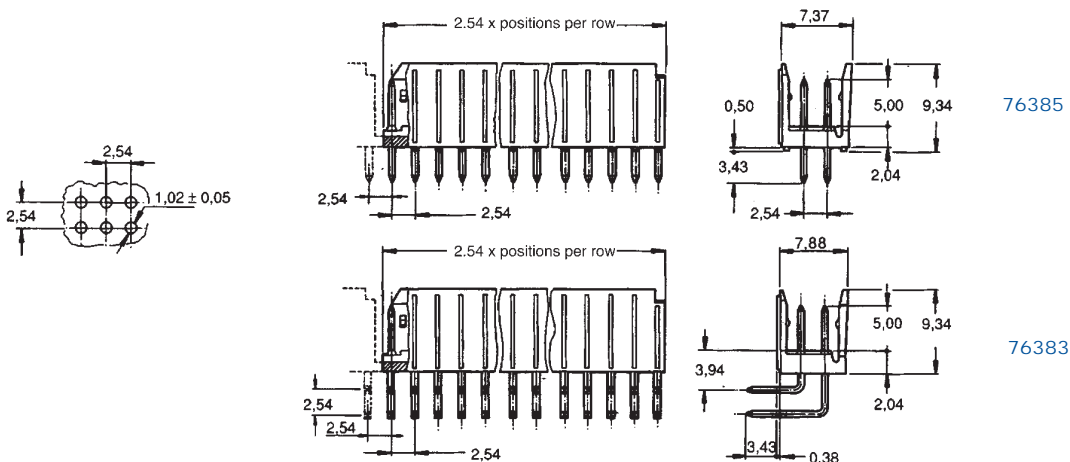
3 = 0.76 μm gold on mating area, tin-lead on solder side  
4 = 3.81 μm tin-lead

Part Number		
76384	- 3	Pos. per row
76385	- 3	Pos. per row

**CORE RANGE**



Recommended PCB Layout  
PCB thickness 1,58 mm



Dimensions in mm