



2 ADC, 8 DAC, 96 kHz, 24-Bit Σ - Δ Codec

Preliminary Technical Data

AD1837

FEATURES

5 V Stereo Audio System with 3.3 V Tolerant Digital Interface

Supports up to 96 kHz Sample Rates

192 kHz Sample Rate available on one DAC

Supports 16-/20-/24-Bit Word Lengths

Multibit Sigma-Delta Modulators with "Perfect Differential Linearity Restoration" for Reduced Idle Tones and Noise Floor

Data Directed Scrambling DACs—Least Sensitive to Jitter

Differential Output for Optimum Performance

ADCs: -93 dB THD + N, 100 dB SNR and Dynamic Range

DACs: -90 dB THD + N, 108 dB SNR and Dynamic Range

On-Chip Volume Controls Per Channel with 1024 Step Linear Scale

DAC and ADC Software Controllable Clickless Mutes

Digital De-Emphasis Processing

Supports $256 \times f_s$, $512 \times f_s$, and $768 \times f_s$ Master Mode Clocks

Power-Down Mode Plus Soft Power-Down Mode

Flexible Serial Data Port with Right-Justified, Left-Justified, I²S-Compatible and DSP Serial Port Modes

TDM Interface Mode Supports 8 In/8 Out Using a Single SHARC[®] SPORT

52-Lead MQFP Plastic Package

APPLICATIONS

DVD Video and Audio Players

Home Theatre Systems

Automotive Audio Systems

Audio/Visual Receivers

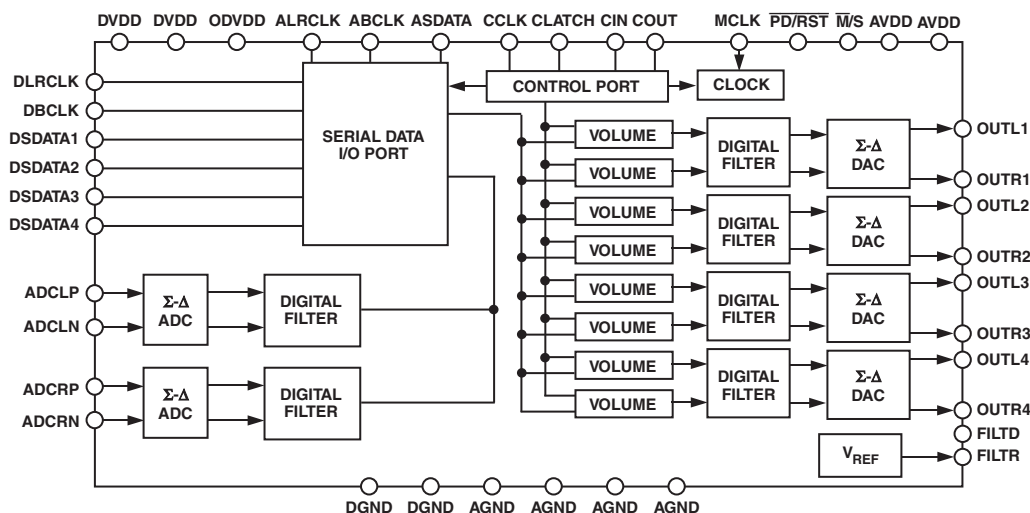
Digital Audio Effects Processors

PRODUCT OVERVIEW

The AD1837 is a high-performance single-chip codec featuring four stereo DACs and one stereo ADC. Each DAC comprises a high-performance digital interpolation filter, a multibit sigma-delta modulator featuring Analog Devices' patented technology,

(Continued on Page 10)

FUNCTIONAL BLOCK DIAGRAM



SHARC is a registered trademark of Analog Devices, Inc.

REV. PrA

Information furnished by Analog Devices is believed to be accurate and reliable. However, no responsibility is assumed by Analog Devices for its use, nor for any infringements of patents or other rights of third parties that may result from its use. No license is granted by implication or otherwise under any patent or patent rights of Analog Devices.

One Technology Way, P.O. Box 9106, Norwood, MA 02062-9106, U.S.A.
Tel: 781/329-4700
Fax: 781/326-8703

www.analog.com

© Analog Devices, Inc., 2002

PRELIMINARY TECHNICAL DATA

AD1837

TEST CONDITIONS

| | |
|--------------------------------------------------------|-----------------------------------------|
| Supply Voltages (AV _{DD} , DV _{DD}) | 5.0 V |
| Ambient Temperature | 25°C |
| Input Clock | 12.288 MHz, (256 × f _S Mode) |
| Input Signal | 1.0078125 kHz, -1 dBFS (Full-Scale) |
| Input Sample Rate (f _S) | 48 kHz |
| Measurement Bandwidth | 20 Hz to 20 kHz |
| Word Width | 24 Bits |
| Load Capacitance | 100 pF |
| Load Impedance | 47 kΩ |

Performance of all channels are identical (exclusive of the Interchannel Gain Mismatch and Interchannel Phase Deviation specifications).

| PARAMETER | Min | Typ | Max | Unit |
|------------------------------------------------------|--------|-----------|--------|--------------------------|
| ANALOG-TO-DIGITAL CONVERTERS | | | | |
| ADC Resolution | | 24 | | Bits |
| Dynamic Range (20 Hz to 20 kHz, -60 dB Input) | | | | |
| No Filter | | 103 | | dB |
| A-Weighted | 100 | 105 | | dB |
| Total Harmonic Distortion + Noise (THD+N) | | -93 | -88.5 | dB |
| Interchannel Isolation | | 100 | | dB |
| Interchannel Gain Mismatch | | 0.04 | | dB |
| Analog Inputs | | | | |
| Differential Input Range (± Full-Scale) | -2.828 | | +2.828 | V |
| Common-Mode Input Volts | | 2.25 | | V |
| Input Impedance | | 4 | | kΩ |
| Input Capacitance | | 15 | | pF |
| V _{REF} | | 2.25 | | V |
| DC Accuracy | | | | |
| Gain Error | | 4 | | % |
| Gain Drift | | TBD | | ppm/°C |
| Crosstalk (EIAJ Method) | | TBD | | dB |
| DIGITAL-TO-ANALOG CONVERTERS | | | | |
| DAC Resolution | | | | |
| Dynamic Range (20 Hz to 20 kHz, -60 dBFS Input) | | | | |
| No Filter | 103 | 105 | | dB |
| With A-Weighted Filter | 105 | 108 | | dB |
| Total Harmonic Distortion + Noise | | -90 | | dB |
| Interchannel Isolation | | 100 | | dB |
| DC Accuracy | | | | |
| Gain Error | | ±3.0 | | % |
| Interchannel Gain Mismatch | | 0.04 | | % |
| Gain Drift | | 150 | | ppm/°C |
| Interchannel Crosstalk (EIAJ method) | | -120 | | dB |
| Interchannel Phase Deviation | | ±0.1 | | Degrees |
| Volume Control Step Size (1023 Linear Steps) | | 0.098 | | % |
| Volume Control Range (Max Attenuation) | | 60 | | dB |
| Mute Attenuation | | -100 | | dB |
| De-emphasis Gain Error | | ±0.1 | | dB |
| Full-Scale Output Voltage at Each Pin (Single-Ended) | | 1.0 (2.8) | | V _{rms} (V p-p) |
| Output Resistance at Each Pin | | 115 | | Ω |
| Common-Mode Output Volts | | 2.25 | | V |
| ADC DECIMATION FILTER, 48 kHz* | | | | |
| Pass Band | | 20 | | kHz |
| Pass-Band Ripple | | ±0.01 | | dB |
| Stop Band | | 24 | | kHz |
| Stop-Band Attenuation | | 120 | | dB |
| Group Delay | | 910 | | μs |

PRELIMINARY TECHNICAL DATA

AD1837

| PARAMETER | Min | Typ | Max | Unit |
|---------------------------------------------------------|--------|-------------------------|------------------|------|
| ADC DECIMATION FILTER, 96 kHz* | | | | |
| Pass Band | | 40 | | kHz |
| Pass-Band Ripple | | ±0.01 | | dB |
| Stop Band | | 48 | | kHz |
| Stop-Band Attenuation | | 120 | | dB |
| Group Delay | | 460 | | µs |
| DAC INTERPOLATION FILTER, 48 kHz* | | | | |
| Pass Band | | | 20 | kHz |
| Pass-Band Ripple | | ±0.01 | | dB |
| Stop Band | 24 | | | kHz |
| Stop-Band Attenuation | 55 | | | dB |
| Group Delay | | 340 | | µs |
| DAC INTERPOLATION FILTER, 96 kHz* | | | | |
| Pass Band | | | 37.5 | kHz |
| Pass-Band Ripple | | ±0.01 | | dB |
| Stop Band | 55.034 | | | kHz |
| Stop-Band Attenuation | 55 | | | dB |
| Group Delay | | 160 | | µs |
| DAC INTERPOLATION FILTER, 192 kHz* | | | | |
| Pass Band | | | 89.954 | kHz |
| Pass-Band Ripple | | ±0.01 | | dB |
| Stop Band | 104.85 | | | kHz |
| Stop-Band Attenuation | 80 | | | dB |
| Group Delay | | 110 | | µs |
| DIGITAL I/O | | | | |
| Input Voltage HI | 2.4 | | | V |
| Input Voltage LO | | | 0.8 | V |
| Output Voltage HI | | ODV _{DD} - 0.4 | | V |
| Output Voltage LO | | | 0.4 | V |
| Leakage Current | | | ±10 | µA |
| POWER SUPPLIES | | | | |
| Supply Voltage (AV _{DD} and DV _{DD}) | 4.5 | 5.0 | 5.5 | V |
| Supply Voltage (OV _{DD}) | 3.0 | | DV _{DD} | V |
| Supply Current I _{ANALOG} | | 84 | 95 | mA |
| Supply Current I _{ANALOG} , Power-Down | | 55 | 67 | mA |
| Supply Current I _{DIGITAL} | | 64 | 72 | mA |
| Supply Current I _{DIGITAL} , Power-Down | | 1 | 4 | mA |
| Dissipation | | | | |
| Operation, Both Supplies | | 740 | | mW |
| Operation, Analog Supply | | 420 | | mW |
| Operations, Digital Supply | | 320 | | mW |
| Power-Down, Both Supplies | | 280 | | mW |
| Power Supply Rejection Ratio | | | | |
| 1 kHz, 300 mV p-p Signal at Analog Supply Pins | | -60 | | dB |
| 20 kHz, 300 mV p-p Signal at Analog Supply Pins | | -50 | | dB |

NOTES

*Guaranteed by design.

Specifications subject to change without notice.

PRELIMINARY TECHNICAL DATA

AD1837

TIMING

| Parameter | | Min | Max | Unit | Comments |
|-------------------------------|------------------|---------------------------|-----|------|------------------------------------------|
| MASTER CLOCK AND RESET | | | | | |
| t_{MH} | MCLK High | 15 | | ns | |
| t_{ML} | MCLK Low | 15 | | ns | |
| t_{PDR} | PD/RST Low | 20 | | ns | |
| SPI PORT | | | | | |
| t_{CCH} | CCLK High | 15 | | ns | |
| t_{CCL} | CCLK Low | 15 | | ns | |
| t_{CCP} | CCLK Period | 50 | | ns | |
| t_{CDS} | CDATA Setup | 5 | | ns | To CCLK Rising |
| t_{CDH} | CDATA Hold | 10 | | ns | From CCLK Rising |
| t_{CLS} | CLATCH Setup | 10 | | ns | To CCLK Rising |
| t_{CLH} | CLATCH Hold | 10 | | ns | From CCLK Rising |
| t_{COE} | COUT Enable | | max | ns | From CLATCH Falling |
| t_{COD} | COUT Delay | | max | ns | From CCLK Falling |
| t_{COTS} | COUT Three-State | | max | ns | From CLATCH Rising |
| DAC SERIAL PORT | | | | | |
| Normal Mode (Slave) | | | | | |
| t_{DBH} | DBCLK High | 15 | | ns | |
| t_{DBL} | DBCLK Low | 15 | | ns | |
| f_{DB} | DBCLK Freq | $64 \leftrightarrow f_S$ | | Hz | |
| t_{DLS} | DLRCLK Setup | 5 | | ns | To DBCLK Rising |
| t_{DLH} | DLRCLK Hold | 10 | | ns | From DBCLK Rising |
| t_{DDS} | DSDATA Setup | 5 | | ns | To DBCLK Rising |
| t_{DDH} | DSDATA Hold | 15 | | ns | From DBCLK Rising |
| Packed 256 Modes (Slave) | | | | | |
| t_{DBH} | DBCLK High | 15 | | ns | |
| t_{DBL} | DBCLK Low | 15 | | ns | |
| f_{DB} | DBCLK Freq | $256 \leftrightarrow f_S$ | | Hz | |
| t_{DLS} | DLRCLK Setup | 5 | | ns | To DBCLK Rising |
| t_{DLH} | DLRCLK Hold | 15 | | ns | From DBCLK Rising |
| t_{DDS} | DSDATA Setup | 5 | | ns | To DBCLK Rising |
| t_{DDH} | DSDATA Hold | 15 | | ns | From DBCLK Rising |
| ADC SERIAL PORT | | | | | |
| Normal Mode (Master) | | | | | |
| t_{ABHD} | ABCLK Delay High | | max | ns | from MCLK Rising Edge |
| t_{ABLD} | ABCLK Delay Low | | max | ns | from MCLK Rising Edge |
| t_{ALD} | ALRCLK Delay Low | | max | ns | from ABCLK Falling Edge |
| t_{ABDD} | ASDATA Delay | | max | ns | from ABCLK Falling Edge |
| t_{ALRDD} | ASDATA Delay | | max | ns | from ALRCLK Changing (Left-Justified) |
| Normal Mode (Slave) | | | | | |
| t_{ABH} | ABCLK High | 15 | | ns | |
| t_{ABL} | ABCLK Low | 15 | | ns | |
| f_{AB} | ABCLK Freq | $64 \leftrightarrow f_S$ | | ns | |
| t_{ALS} | ALRCLK Setup | 5 | | ns | To ABCLK Rising |
| t_{ALH} | ALRCLK Hold | 15 | | ns | From ABCLK Rising |
| t_{AD} | ASDATA Delay | | max | ns | From ABCLK Rising |
| Packed 256 Mode (Master) | | | | | |
| t_{ABHD} | ABCLK Delay High | | max | ns | From MCLK Rising Edge |
| t_{ABLD} | ABCLK Delay Low | | max | ns | From MCLK Rising Edge |
| t_{ALD} | LRCLK Delay | | max | ns | From ABCLK Falling Edge |
| t_{ABDD} | ASDATA Delay | | max | ns | from ABCLK Falling Edge |

| Parameter | | Min | Max | Unit | Comments |
|-----------------------------|-------------------|----------------------|-----|------|-----------------------|
| TDM256 MODE (Master) | | | | | |
| t _{ABDH} | BCLK Delay High | | max | ns | From MCLK Rising |
| t _{ABDL} | BCLK Delay Low | | max | ns | From MCLK Rising |
| t _{ALD} | FSTDM Delay | | max | ns | From BCLK Rising |
| t _{ABDD} | ASDATA Delay | | max | ns | From BCLK Rising |
| t _{DDS} | DSDATA1 Setup | min | | ns | To DBCLK Rising |
| t _{DDH} | DSDATA1 Hold | min | | ns | From DBCLK Rising |
| TDM512 MODE (Master) | | | | | |
| t _{ABDH} | ABCLK Delay High | | max | ns | From MCLK Rising |
| t _{ABDL} | ABCLK Delay Low | | max | ns | From MCLK Rising |
| t _{ALD} | FSTDM Delay | | max | ns | From BCLK Falling |
| t _{ABDD} | ASDATA Delay | | max | ns | From BCLK Falling |
| t _{DDS} | DSDATA1 Setup | min | | ns | To BCLK Rising |
| t _{DDH} | DSDATA1 Hold | min | | ns | From BCLK Rising |
| TDM512 MODE (Slave) | | | | | |
| t _{AB} | BCLK Frequency | 512 × f _s | | Hz | |
| t _{ABCH} | BCLK High | min | | ns | |
| t _{ABCL} | BCLK Low | min | | ns | |
| t _{ACLS} | FSTDM Setup | min | | ns | To BCLK Falling |
| t _{ACLH} | FSTDM Hold | min | | ns | From BCLK Falling |
| t _{ACBDD} | ASDATA Delay | | max | ns | from BCLK Rising Edge |
| t _{DCDS} | DSDATA1 Setup | min | | ns | To BCLK Falling |
| t _{DCDH} | DSDATA1 Hold | min | | ns | From BCLK Falling |
| AUXILIARY INTERFACE | | | | | |
| t _{AXDS} | AAUXDATA Setup | 5 | | ns | To AUXBCLK Rising |
| t _{AXDH} | AAUXDATA Hold | 15 | | ns | From AUXBCLK Rising |
| f _{ABP} | AUXBCLK Frequency | 64 ↔ f _s | | ns | |
| Slave Mode | | | | | |
| t _{AXBH} | AUXBCLK High | 15 | | ns | |
| t _{AXBL} | AUXBCLK Low | 15 | | ns | |
| t _{AXLS} | AUXLRCLK Setup | 5 | | ns | To AUXBCLK Rising |
| t _{AXLH} | AUXLRCLK Hold | 15 | | ns | From AUXBCLK Rising |
| Master Mode | | | | | |
| t _{AUXBCLK} | AUXLRCLK Delay | min | | ns | From MCLK Rising |
| t _{AUXLRCLK} | AUXLRCLK Delay | min | | ns | From AUXBCLK Falling |

Specifications subject to change without notice.

AD1837

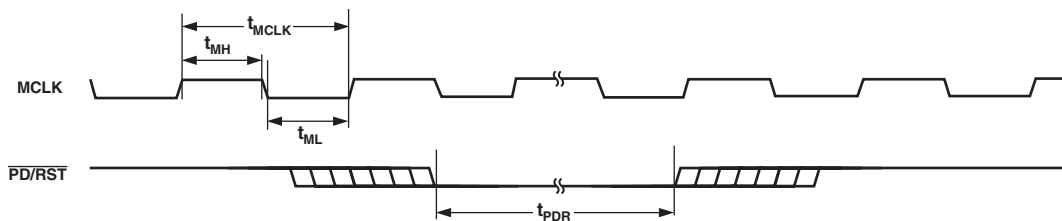


Figure 1. MCLK and $\overline{\text{PD/RST}}$ Timing

TEMPERATURE RANGE

| Parameter | Min | Typ | Max | Unit |
|---------------------------|-----|-----|------|------|
| Specifications Guaranteed | | 25 | | °C |
| Functionality Guaranteed | -40 | | +85 | °C |
| Storage | -65 | | +150 | °C |

ABSOLUTE MAXIMUM RATINGS*

($T_A = 25^\circ\text{C}$ unless otherwise noted.)

- AV_{DD}, DV_{DD}, OV_{DD} to AGND, DGND . . . -0.3 V to +6.0 V
- AGND to DGND -0.3 V to +0.3 V
- Digital I/O Voltage to DGND -0.3 V to ODV_{DD} +0.3 V
- Analog I/O Voltage to AGND -0.3 V to AV_{DD} +0.3 V
- Operating Temperature Range
 - Industrial (A Version) -40°C to +85°C

*NOTE

Stresses above those listed under Absolute Maximum Ratings may cause permanent damage to the device. This is a stress rating only; functional operation of the device at these or any other conditions above those listed in the operational sections of this specification is not implied. Exposure to absolute maximum rating conditions for extended periods may affect device reliability.

ORDERING GUIDE

| Model | Temperature Range | Package Description | Package Option |
|----------|-------------------|---------------------|----------------|
| AD1837AS | -40°C to +85°C | 52-Lead MQFP | S-52 |

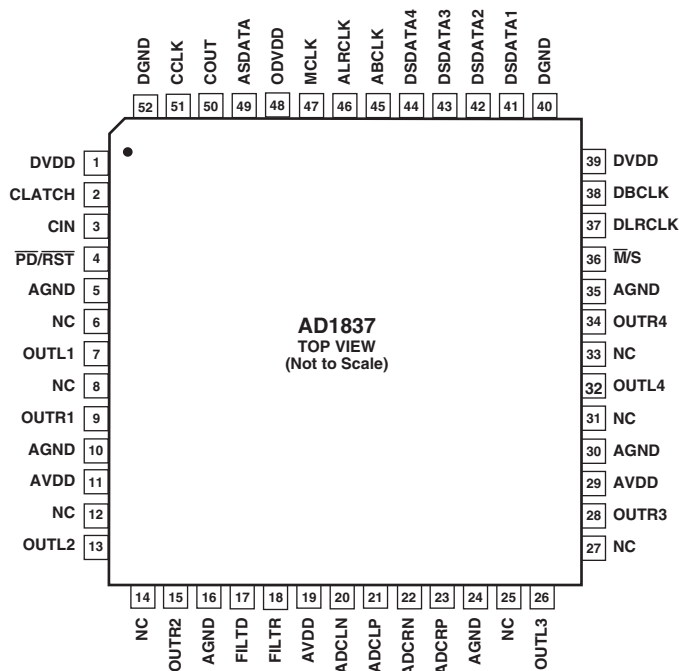
CAUTION

ESD (electrostatic discharge) sensitive device. Electrostatic charges as high as 4000 V readily accumulate on the human body and test equipment and can discharge without detection. Although the AD1837 features proprietary ESD protection circuitry, permanent damage may occur on devices subjected to high-energy electrostatic discharges. Therefore, proper ESD precautions are recommended to avoid performance degradation or loss of functionality.



PIN CONFIGURATION

52-Lead MQFP
(S-52)



NC = NO CONNECT

PIN FUNCTION DESCRIPTIONS

| Pin No. | Mnemonic | Input/ Output | Description |
|-----------------------|----------|------------------|------------------------------------------------------------------------|
| 1, 39 | DVDD | | Digital Power Supply. Connect to digital 5 V supply. |
| 2 | CLATCH | I | Latch Input for Control Data |
| 3 | CIN | I | Serial Control Input |
| 4 | PD/RST | I | Power Down/Reset |
| 5, 10, 16, 24, 30, 35 | AGND | | Analog Ground |
| 6, 12, 25, 31 | NC | | Not Connected |
| 7, 13, 26, 32 | OUTLx | O | DACx Left Channel Output |
| 8, 14, 27, 33 | NC | | Not Connected |
| 9, 15, 28, 34 | OUTRx | O | DACx Right Channel Output |
| 11, 19, 29, 35 | AVDD | | Analog Power Supply. Connect to analog 5 V supply. |
| 17 | FILTD | | Filter Capacitor Connection. Recommended 10 μ F//100 nF. |
| 18 | FILTR | | Reference Filter Capacitor Connection. Recommended 10 μ F//100 nF. |
| 20 | ADCLP | I | ADC Left Channel Positive Input |
| 21 | ADCLN | I | ADC Left Channel Negative Input |
| 22 | ADCRP | I | ADC Right Channel Positive Input |
| 23 | ADCRN | I | ADC Right Channel Negative Input |
| 36 | M/S | I | ADC Master/Slave Select |
| 37 | DLRCLK | I/O | DAC LR Clock |
| 38 | DBCLK | I/O | DAC Bit Clock |
| 40, 52 | DGND | | Digital Ground |
| 41–44 | DSDATAx | I | DACx Input Data (Left and Right Channels) |
| 45 | ABCLK | I/O | ADC Bit Clock |
| 46 | ALRCLK | I/O | ADC LR Clock |
| 47 | MCLK | I | Master Clock Input |
| 48 | ODVDD | | Digital Output Driver Power Supply |
| 49 | ASDATA | O | ADC Serial Data Output |
| 50 | COUT | O | Output for Control Data |
| 51 | CCLK | I | Control Clock Input for Control Data |

AD1837

DEFINITIONS**Dynamic Range**

The ratio of a full-scale input signal to the integrated input noise in the pass band (20 Hz to 20 kHz), expressed in decibels (dB). Dynamic range is measured with a -60 dB input signal and is equal to $(S/[THD+N]) + 60$ dB. Note that spurious harmonics are below the noise with a -60 dB input, so the noise level establishes the dynamic range. The dynamic range is specified with and without an A-Weight filter applied.

Signal to (Total Harmonic Distortion + Noise) [S/(THD + N)]

The ratio of the root-mean-square (rms) value of the fundamental input signal to the rms sum of all other spectral components in the pass band, expressed in decibels (dB).

Pass band

The region of the frequency spectrum unaffected by the attenuation of the digital decimator's filter.

Pass band Ripple

The peak-to-peak variation in amplitude response from equal-amplitude input signal frequencies within the pass band, expressed in decibels.

Stop band

The region of the frequency spectrum attenuated by the digital decimator's filter to the degree specified by "stop band attenuation."

Gain Error

With a near full-scale input, the ratio of actual output to expected output, expressed as a percentage.

Interchannel Gain Mismatch

With identical near full-scale inputs, the ratio of outputs of the two stereo channels, expressed in decibels.

Gain Drift

Change in response to a near full-scale input with a change in temperature, expressed as parts-per-million (ppm) per °C.

Crosstalk (EIAJ Method)

Ratio of response on one channel with a grounded input to a full-scale 1 kHz sine-wave input on the other channel, expressed in decibels.

Power Supply Rejection

With no analog input, signal present at the output when a 300 mV p-p signal is applied to power supply pins, expressed in decibels of full scale.

Group Delay

Intuitively, the time interval required for an input pulse to appear at the converter's output, expressed in milliseconds (ms). More precisely, the derivative of radian phase with respect to radian frequency at a given frequency.

Group Delay Variation

The difference in group delays at different input frequencies. Specified as the difference between largest and the smallest group delays in the pass band, expressed in microseconds (μ s).

GLOSSARY

ADC—Analog to Digital Converter

DAC—Digital to Analog Converter

DSP—Digital Signal Processor

IMCLK—Internal master clock signal used to clock the ADC and DAC engines

MCLK—External master clock signal applied to the AD1837

(Continued from Page 1)

and a continuous-time voltage out analog section. Each DAC has independent volume control and clickless mute functions. The ADC comprises two 24-bit conversion channels with multibit sigma-delta modulators and decimation filters.

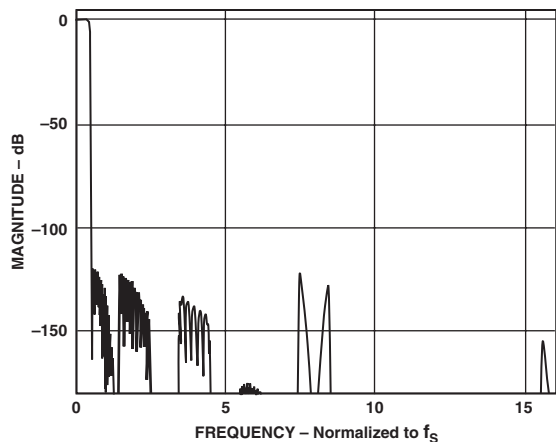
The AD1837 also contains an on-chip reference with a nominal value of 2.25 V.

The AD1837 contains a flexible serial interface that allows for glueless connection to a variety of DSP chips, AES/EBU receivers,

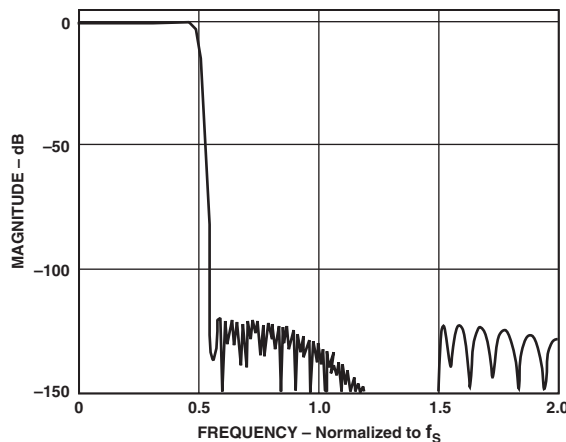
and sample rate converters. The AD1837 can be configured in Left-Justified, Right-Justified, I²S, or DSP-compatible serial modes. Control of the AD1837 is achieved by means of an SPI-compatible serial port. While the AD1837 can be operated from a single 5 V supply, it also features a separate supply pin for its digital interface which allows the device to be interfaced to other devices using 3.3 V power supplies.

The AD1837 is available in a 52-Lead MQFP package and is specified for the industrial temperature range of -40°C to +85°C.

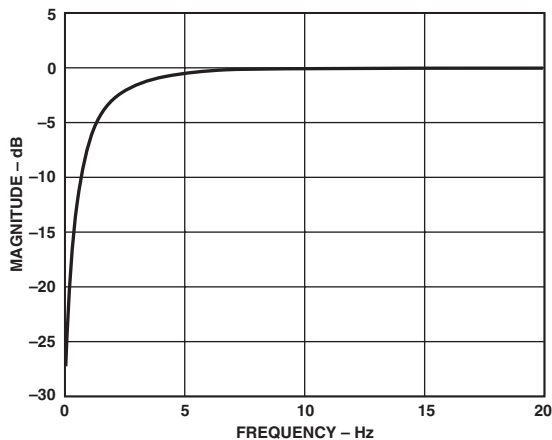
Typical Performance Characteristics



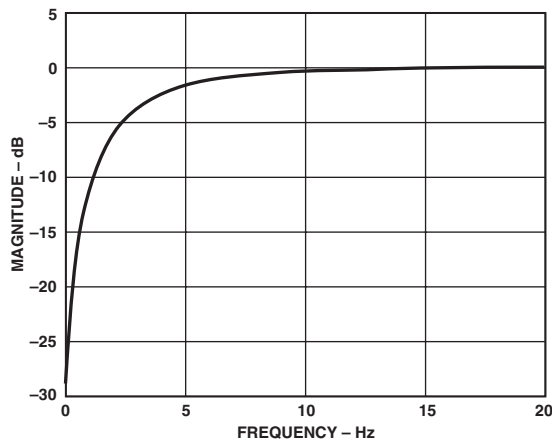
TPC 1. ADC Composite Filter Response



TPC 3. ADC Composite Filter Response (Pass Band Section)

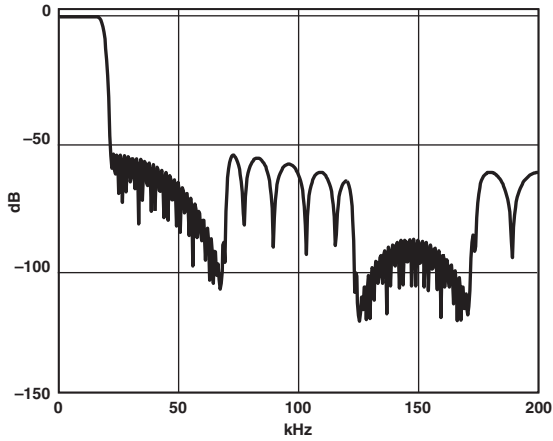


TPC 2. ADC High-Pass Filter Response, $f_s = 48$ kHz

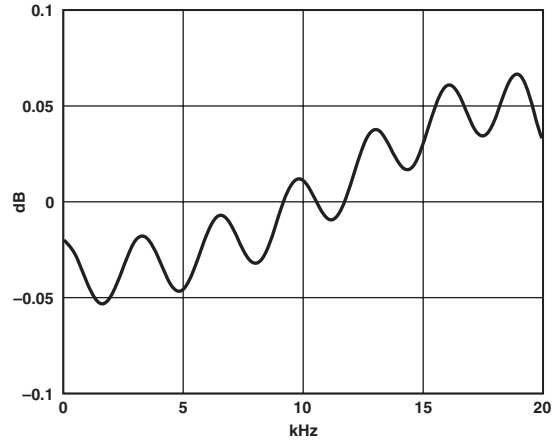


TPC 4. ADC High-Pass Filter Response, $f_s = 96$ kHz

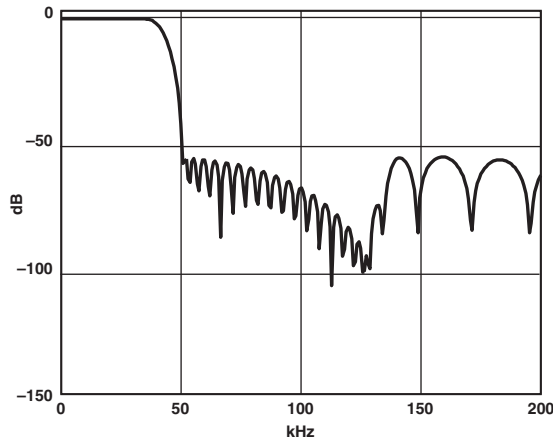
AD1837—Typical Performance Characteristics



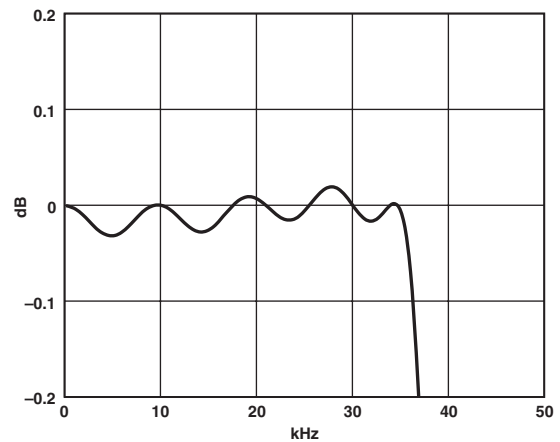
TPC 5. DAC Composite Filter Response, $f_s = 48$ kHz



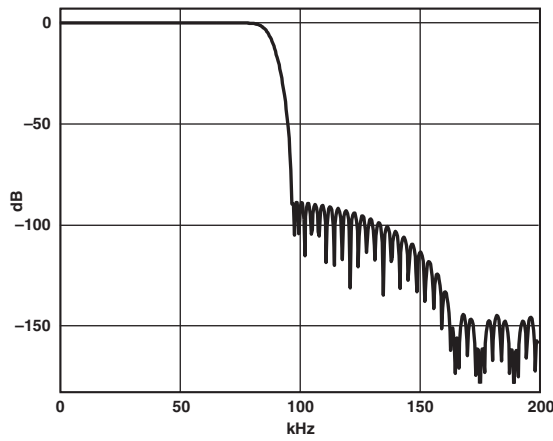
TPC 8. DAC Composite Filter Response, $f_s = 48$ kHz (Pass Band Section)



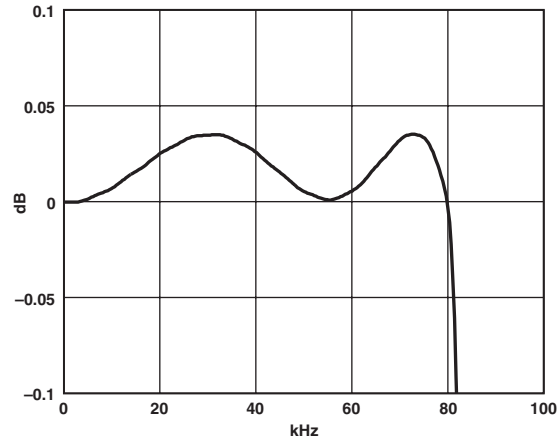
TPC 6. DAC Composite Filter Response, $f_s = 96$ kHz



TPC 9. DAC Composite Filter Response, $f_s = 96$ kHz (Pass Band Section)



TPC 7. DAC Composite Filter Response, $f_s = 192$ kHz



TPC 10. DAC Composite Filter Response, $f_s = 192$ kHz (Pass Band Section)

FUNCTIONAL OVERVIEW**ADCs**

There are two ADC channels in the AD1837, configured as a stereo pair. Each ADC has fully differential inputs. The ADC section can operate at a sample rate of up to 96 kHz. The ADCs include on-board digital decimation filters with 120 dB stop band attenuation and linear phase response, operating at an over-sampling ratio of 128 (for 48 kHz operation) or 64 (for 96 kHz operation).

ADC peak level information for each ADC may be read from the ADC Peak 0 and ADC Peak 1 registers. The data is supplied as a 6-bit word with a maximum range of 0 dB to -63 dB and a resolution of 1 dB. The registers will hold peak information until read; after reading, the registers are reset so that new peak information can be acquired. Refer to the register description for details of the format. The two ADC channels have a common serial bit clock and a left-right framing clock. The clock signals are all synchronous with the sample rate.

The ADC digital pins, ABCLK and ALRCLK, can be set to operate as inputs or outputs by connecting the \bar{M}/S pin to ODVDD or DGND respectively. When the pins are set as outputs, the AD1837 will generate the timing signals. When the pins are set as inputs, the timing must be generated by the external audio controller.

DACs

The AD1837 has eight DAC channels arranged as four independent stereo pairs, with eight single-ended analog outputs for improved noise and distortion performance. Each channel has its own independently programmable attenuator, adjustable in 1024 linear steps. Digital inputs are supplied through four serial data input pins (one for each stereo pair) and a common frame (DLRCLK) and bit (DBLCK) clock. Alternatively, one of the "packed data" modes may be used to access all eight channels on a single TDM data pin. A Stereo Replicate feature is included where the DAC data sent to the first DAC pair is also sent to the other DACs in the part. The AD1837 can accept DAC data at a sample rate of 192 kHz on DAC 1 only. The stereo replicate feature can then be used to copy the audio data to the other DACs.

Each set of differential output pins sits at a dc level of V_{REF} , and swings ± 1.4 V for a 0 dB digital input signal. A single op amp third-order external low-pass filter is recommended to remove high-frequency noise present on the output pins, as well as to provide differential-to-single-ended conversion. Note that the use of op amps with low slew rate or low bandwidth may cause high-frequency noise and tones to fold down into the audio band; care should be exercised in selecting these components.

The FILTD pin should be connected to an external grounded capacitor. This pin is used to reduce the noise of the internal DAC bias circuitry, thereby reducing the DAC output noise. In some cases this capacitor may be eliminated with little effect on performance.

DAC and ADC Coding

The DAC and ADC output data stream is in a two's complement encoded format. The word width can be selected from 16-bit, 20-bit, or 24-bit. The coding scheme is detailed in Table I.

Table I. Coding Scheme

| Code | Level |
|----------------|---------------|
| 01111.....1111 | +FS |
| 00000.....0000 | 0 (Ref Level) |
| 10000.....0000 | -FS |

Clock Signals

The DAC and ADC engines in the AD1837 are designed to operate from a 24.576 MHz Internal Master Clock (IMCLK). This clock is used to generate 48 kHz and 96 kHz sampling on the ADC and 48 kHz, 96 kHz and 192 kHz on the DAC, although the 192 kHz option is only available on one DAC pair. The Stereo Replicate feature can be used to copy this DAC data to the other DACs if required.

To facilitate the use of different MCLK values the AD1837 provides a clock scaling feature. The MCLK scaler can be programmed via the SPI port to scale the MCLK by a factor of 1 (passthrough), 2 (doubling), or scaling by a factor of 2/3. The default setting of the MCLK scaler is 2, which will generate 48 kHz sampling from a 12.288 MHz MCLK. Additional sample rates can be achieved by changing the MCLK value. For example, the CD standard sampling frequency of 44.1 kHz can be achieved using an 11.2896 kHz MCLK. Figure 2 shows the internal configuration of the clock scaler and converter engines.

To maintain the highest performance possible, it is recommended that the clock jitter of the master clock signal be limited to less than 300 ps rms, measured using the edge-to-edge technique. Even at these levels, extra noise or tones may appear in the DAC outputs if the jitter spectrum contains large spectral peaks. It is highly recommended that the master clock be generated by an independent crystal oscillator. In addition, it is especially important that the clock signal should not be passed through an FPGA or other large digital chip before being applied to the AD1837. In most cases this will induce clock jitter due to the fact that the clock signal is sharing common power and ground connections with other unrelated digital output signals.

AD1837

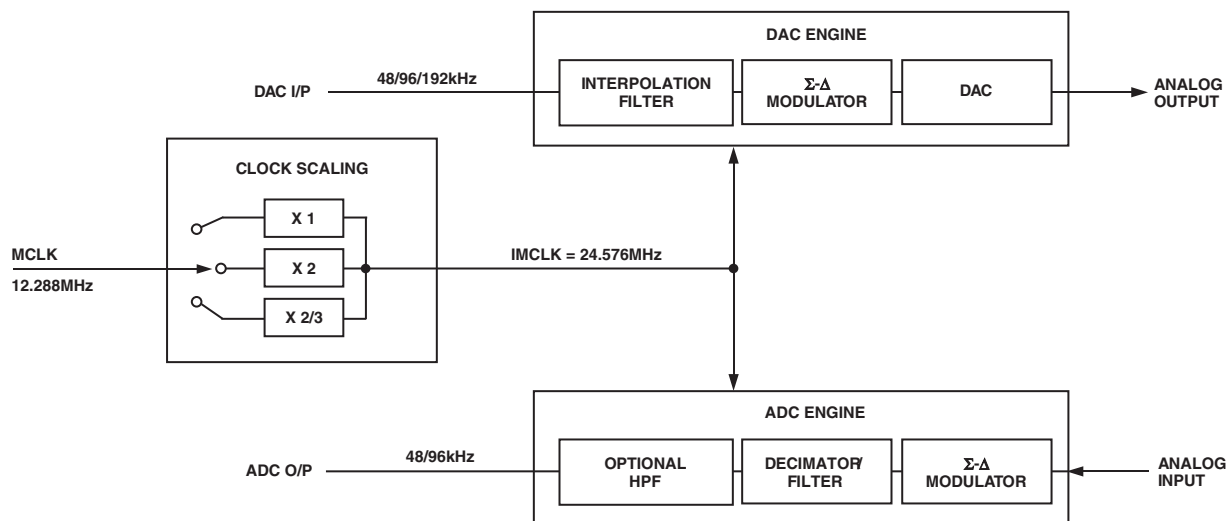


Figure 2. Modulator Clocking Scheme

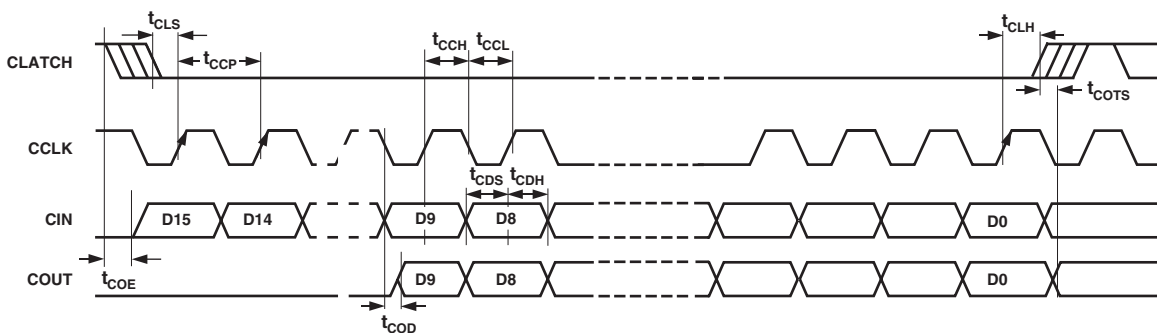


Figure 3. Format of SPI Timing

RESET and Power-Down

$\overline{PD/RST}$ will power down the chip and set the control registers to their default settings. After $\overline{PD/RST}$ is deasserted, an initialization routine will run inside the AD1837 to clear all memories to zero. This initialization lasts for approximately 20 LRCLK intervals. During this time it is recommended that no SPI writes occur.

Power Supply and Voltage Reference

The AD1837 is designed for 5 V supplies. Separate power supply pins are provided for the analog and digital sections. These pins should be bypassed with 100 nF ceramic chip capacitors, as close to the pins as possible, to minimize noise pickup. A bulk aluminum electrolytic capacitor of at least 22 μF should also be provided on the same PC board as the codec. For critical applications, improved performance will be obtained with separate supplies for the analog and digital sections. If this is not possible, it is recommended that the analog and digital supplies be isolated by means of two ferrite beads in series with the bypass capacitor of each supply. It is important that the analog supply be as clean as possible.

The internal voltage reference is brought out on the FILTR pin and should be bypassed as close as possible to the chip, with a

parallel combination of 10 μF and 100 nF. The reference voltage may be used to bias external op amps to the common-mode voltage of the analog input and output signal pins. The current drawn from the V_{REF} pin should be limited to less than 50 μA .

Serial Control Port

The AD1837 has an SPI-compatible control port to permit programming the internal control registers for the ADCs and DACs and for reading the ADC signal levels from the internal peak detectors. The SPI control port is a 4-wire serial control port. The format is similar to the Motorola SPI format except the input data word is 16-bits wide. The maximum serial bit clock frequency is 16 MHz and may be completely asynchronous to the sample rate of the ADCs and DACs. Figure 3 shows the format of the SPI signal.

Serial Data Ports—Data Format

The ADC serial data output mode defaults to the popular $\overline{I}^2\text{S}$ format, where the data is delayed by 1 BCLK interval from the edge of the LRCLK. By changing Bits 6 to 8 in ADC Control Register 2, the serial mode can be changed to Right-Justified (RJ), Left-Justified DSP (DSP), or Left-Justified (LJ). In the RJ mode, it is necessary to set Bits 4 and 5 to define the width of the data word.

The DAC serial data input mode defaults to I²S. By changing Bits 5, 6, and 7 in DAC Control Register 1, the mode can be changed to RJ, DSP, LJ, Packed Mode 1, or Packed Mode 2. The word width defaults to 24 bits but can be changed by reprogramming Bits 3 and 4 in DAC Control Register 1.

Packed Modes

The AD1837 has two packed modes that allow a DSP or other controller to write to all DACs and read all ADCs using one input data pin and one output data pin. Packed Mode 256 refers to the number of BCLKs in each frame. The LRCLK is low while data from a left channel DAC or ADC is on the data pin and high while data from a right channel DAC or ADC is on the data pin. DAC data is applied on the DSDATA1 pin and ADC data is available on the ASDATA pin. Figures 7–10 show the timing for the packed mode. Packed mode is only available for 48 KHz (based on MCLK = 12.288 MHz).

Auxiliary (TDM) Mode

A special “auxiliary mode” is provided to allow three external stereo ADCs to be interfaced to the AD1837 to provide 8-in/8-out operation. In addition, this mode supports glueless inter-

face to a single SHARC DSP serial port, allowing a SHARC DSP to access all eight channels of analog I/O. In this special mode, many pins are redefined; see Table II for a list of redefined pins.

The auxiliary and the TDM interfaces are independently configurable to operate as masters or slaves. When the auxiliary interface is set as a master, by programming the Aux Mode bit in ADC Control Register II, the AUXLRCLK and AUXBCLK are generated by the AD1837. When the auxiliary interface is set as a slave the AUXLRCLK and AUXBCLK need to be generated by an external ADC as shown in Figure 13.

The TDM interface can be set to operate as a master or slave by connecting the M/S pin to DGND or ODVDD respectively. In master mode the FSTDM and BCLK signals are outputs and should be generated by the SHARC. Slave mode operation is available for 48 KHz and 96 KHz operation (based on a 12.288 MHz or 24.576 MHz MCLK) and master mode operation is available for 48 KHz only.

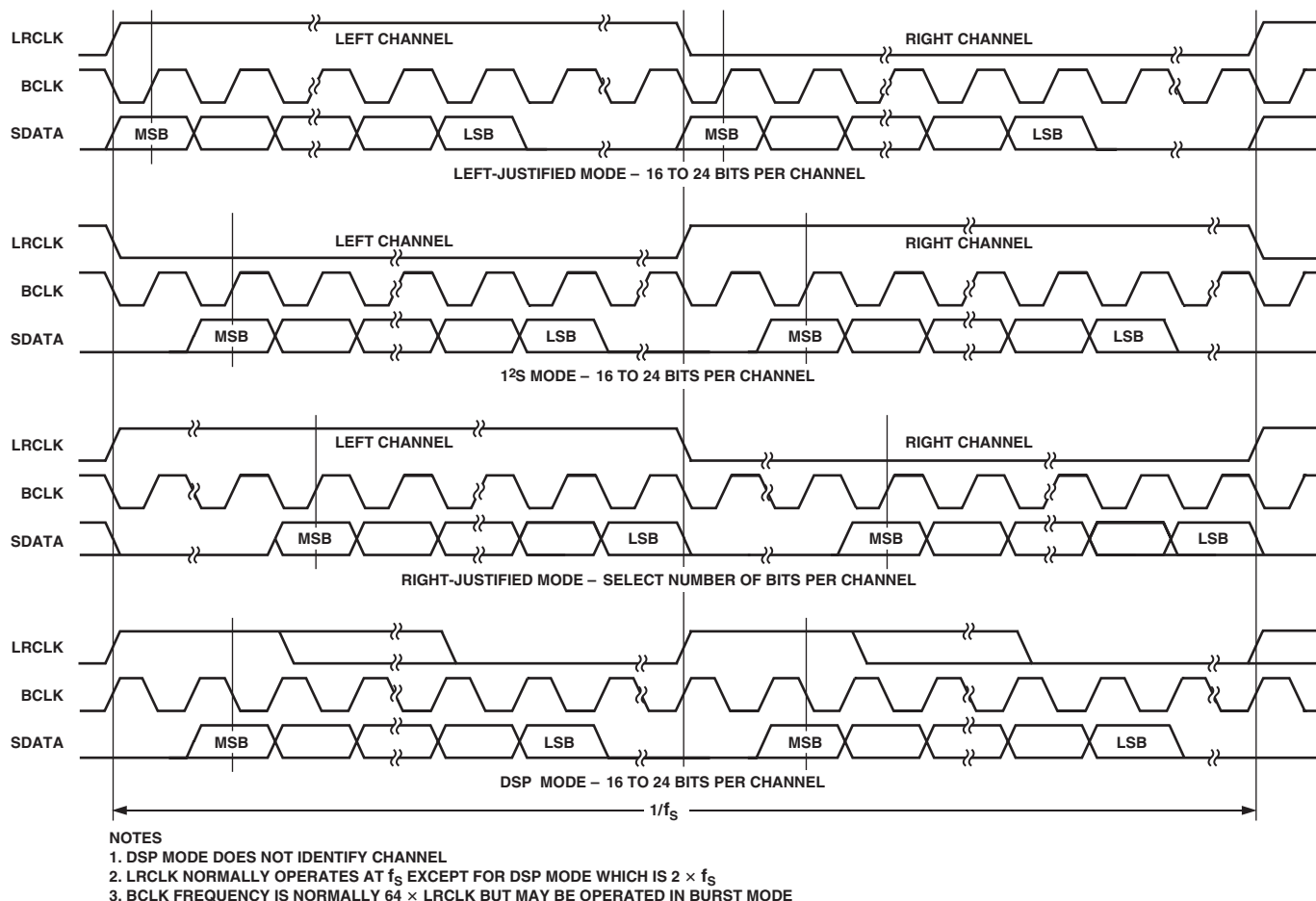


Figure 4. Stereo Serial Modes

AD1837

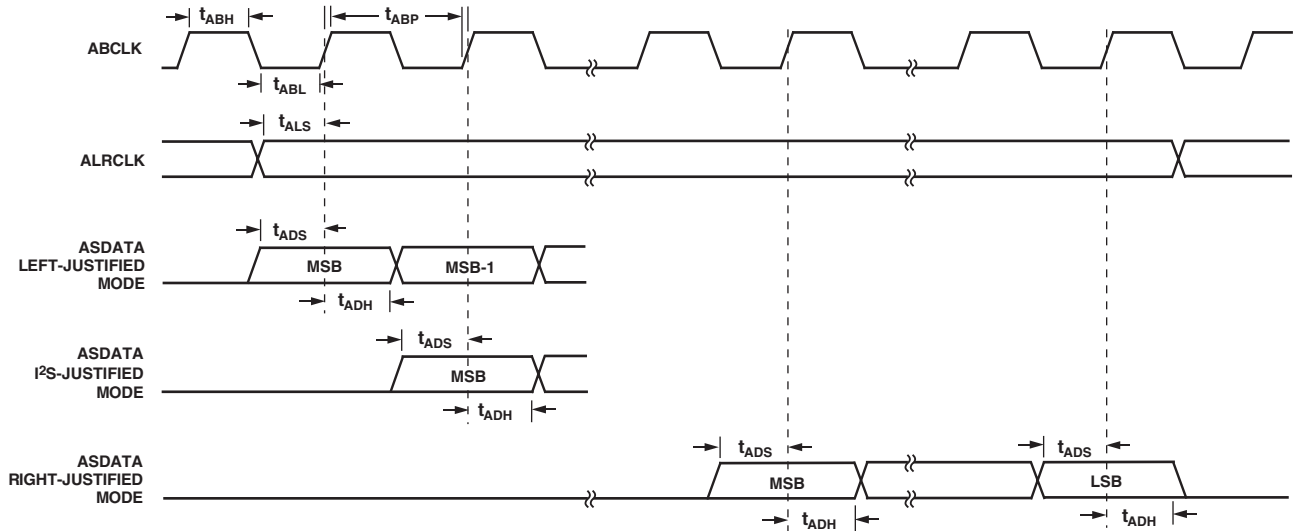


Figure 5. ADC Serial Mode Timing

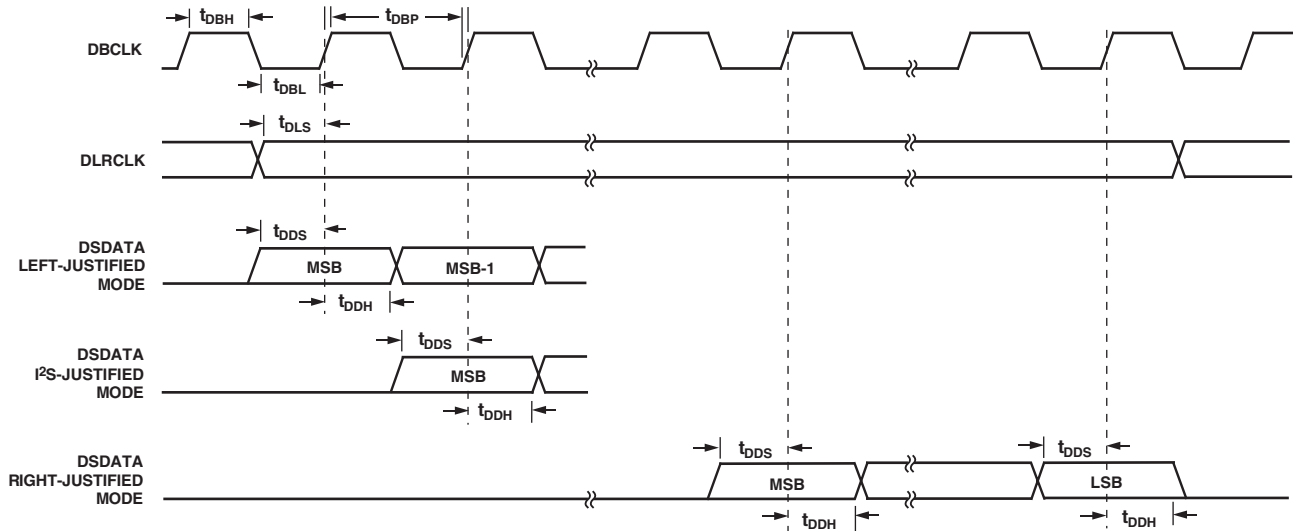


Figure 6. DAC Serial Mode Timing

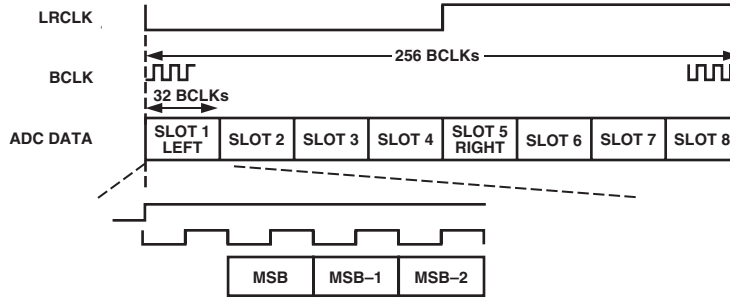


Figure 7. ADC Packed Mode 256

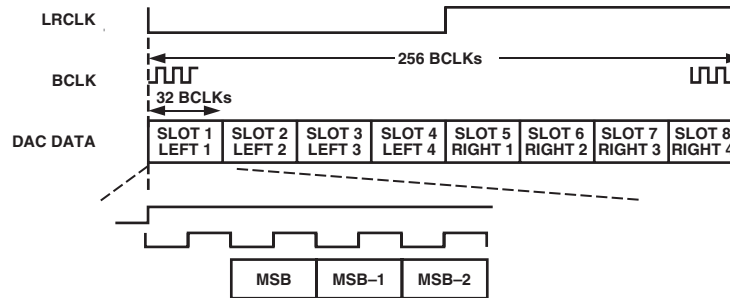


Figure 8. DAC Packed Mode 256

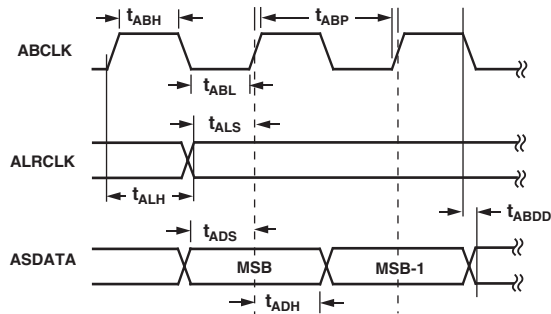


Figure 9. ADC Packed Mode Timing

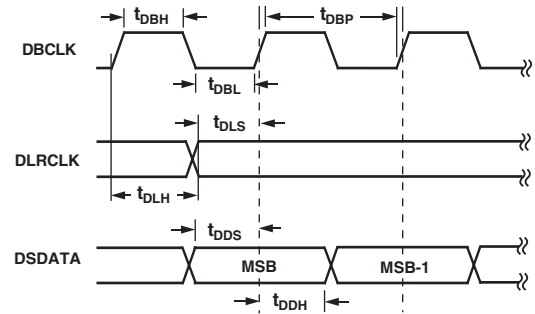
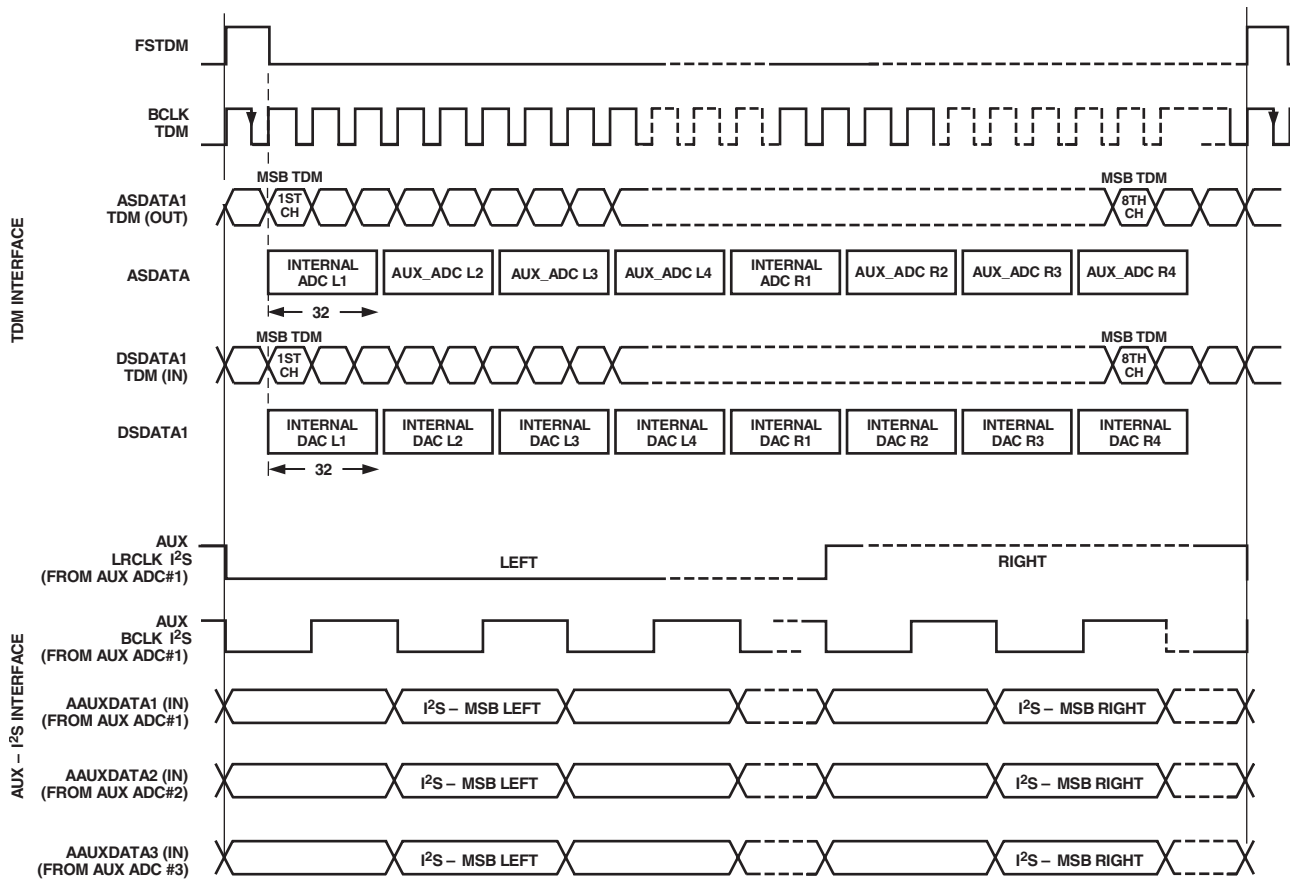


Figure 10. DAC Packed Mode Timing

Table II. Pin Function Changes in Auxiliary Mode

| Pin Name | I ² S Mode | AUX Mode |
|---------------------------|-----------------------------------------|----------------------------------------------------------------------------------------------------|
| ASDATA (O) | I ² S Data Out, Internal ADC | TDM Data Out to SHARC |
| DSDATA1 (I) | I ² S Data In, Internal DAC1 | TDM Data In from SHARC |
| DSDATA2 (I)/AAUXDATA1 (I) | I ² S Data In, Internal DAC2 | AUX-I ² S Data In 1 (from ext. ADC) |
| DSDATA3 (I)/AAUXDATA2 (I) | I ² S Data In, Internal DAC3 | AUX-I ² S Data In 2 (from ext. ADC) |
| DSDATA4 (I)/AAUXDATA3 (I) | I ² S Data In, Internal DAC4 | AUX-I ² S Data In 3 (from ext. ADC) |
| ALRCLK (O) | LRCLK for ADC | TDM Frame Sync Out to SHARC (FSTDM) |
| ABCLK (O) | BCLK for ADC | TDM BCLK Out to SHARC |
| DLRCLK (I)/AUXLRCLK(I/O) | LRCLK In/Out Internal DACs | AUX LRCLK In/Out. Driven by Ext. LRCLK from ADC in Slave Mode. In Master Mode, driven by MCLK/512. |
| DBCLK (I)/AUXBCLK(I/O) | BCLK In/Out Internal DACs | AUX BCLK In/Out. Driven by Ext. BCLK from ADC in Slave Mode. In Master Mode, driven by MCLK/8. |



NOTE:
AUX BCLK FREQUENCY IS 64 × FRAME-RATE; TDM BCLK FREQUENCY IS 256 × FRAME-RATE.

Figure 11. AUX-Mode Timing

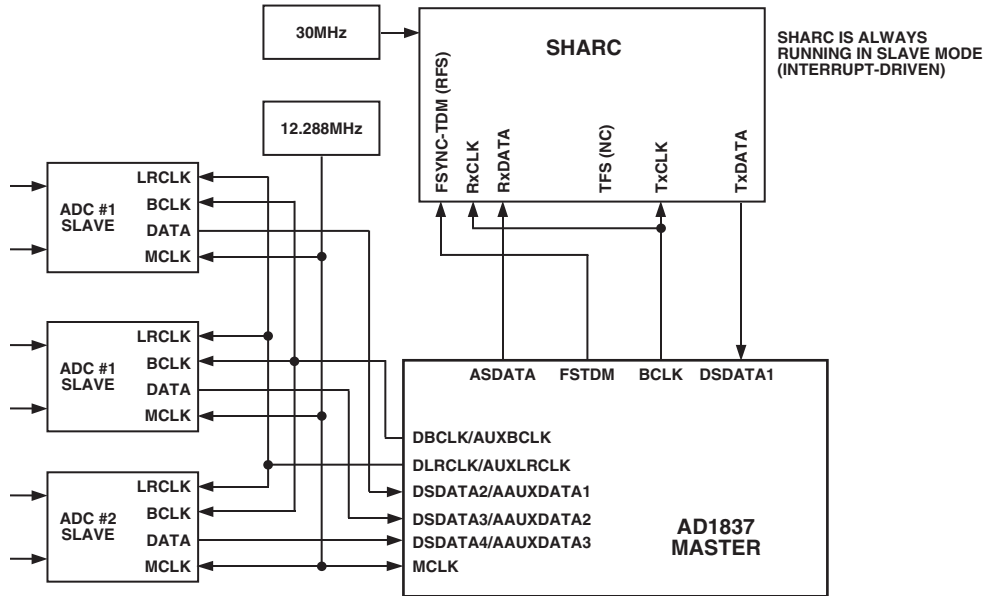


Figure 12. AUX-Mode Connection to SHARC (Master Mode)

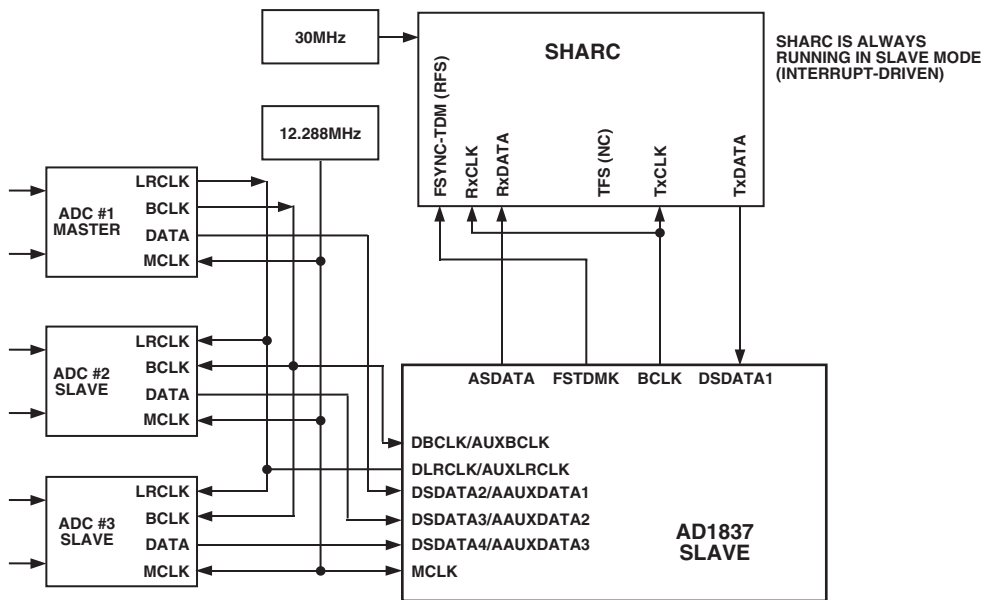


Figure 13. AUX-Mode Connection to SHARC (Slave Mode)

AD1837

CONTROL/STATUS REGISTERS

The AD1837 has 15 control registers, 13 of which are used to set the operating mode of the part. The other two registers, ADC Peak 0 and ADC Peak 1, are read-only and should not be programmed. Each of the registers is 10 bits wide with the exception of the ADC Peak Reading registers which are six bits wide. Writing to a control register requires a 16-bit data frame to be transmitted. Bits 15 to 12 are the address bits of the required register. Bit 11 is a Read/Write bit. Bit 10 is reserved and should always be programmed to 0. Bits 9 to 0 contain the 10-bit value that is to be written to the register or, in the case of a read operation, the 10-bit register contents. Figure 3 shows the format of the SPI read and write operation.

DAC Control Registers

The AD1837 register map has 10 registers that are used to control the functionality of the DAC section of the part. The function of the bits in these registers is discussed below.

Sample Rate

These bits control the sample rate of the DACs. Based on a 24.576 MHz IMCLK sample rates of 48 kHz, 96 kHz, and 192 kHz are available. The MCLK scaling bits in ADC Control III should be programmed appropriately, based on the Master Clock frequency.

Power-Down/Reset

This bit controls the power-down status of the DAC section. By default, Normal Mode is selected; but by setting this bit the digital section of the DAC stage can be put into a low power mode, thus reducing the digital current. The analog output section of the DAC stage is not powered down.

DAC Data Word Width

These two bits set the word width of the DAC data. Compact Disc (CD) compatibility may require 16 bits, but many modern digital audio formats require 24-bit sample resolution.

DAC Data Format

The AD1837 serial data interface can be configured to be compatible with a choice of popular interface formats including I²S, LJ, RJ, or DSP modes. Details of these interface modes are given in the Serial Data Port section of this datasheet.

De-Emphasis

The AD1837 provides built-in De-emphasis filtering for the three standard samples rates of 32.0 kHz, 44.1 kHz, and 48 kHz.

Mute DAC

Each of the eight DACs in the AD1837 has its own independent mute control. Setting the appropriate bit will mute the DAC output. The AD1837 uses a clickless mute function which attenuates the output to approximately –100 dB over a number of cycles.

Stereo Replicate

Setting this bit copies the digital data sent to the stereo pair DAC1 to the three other stereo DACs in the system. This allows all four stereo DACs to be driven by one digital data stream. Note that in this mode DAC data sent to the other DACs is ignored.

DAC Volume Control

Each DAC in the AD1837 has its own independent volume control. The volume of each DAC can be adjusted in 1024 linear steps by programming the appropriate register. The default value for this register is 1023 which provides no attenuation, i.e., full volume.

ADC Control Registers

The AD1837 register map has five registers that are used to control the functionality and read the status of the ADCs. The function of the bits in each of these registers is discussed below.

ADC Peak Level

These two registers store the peak ADC result from each channel when the ADC Peak Readback function is enabled. The peak result is stored as a 6-bit number from 0 dB to –63 dB in 1 dB steps. The value contained in the register is reset once it has been read, allowing for continuous level adjustment as required. Note that the ADC Peak Level registers use the six Most Significant Bits in the register to store the results.

Sample Rate

This bit controls the sample rate of the ADCs. Based on a 24.576 MHz IMCLK sample rates of 48 kHz and 96 kHz are available. The MCLK scaling bits in ADC Control III should be programmed appropriately based on the Master Clock frequency.

ADC Power-Down

This bit controls the power-down status of the ADC section and operates in a similar manner to the DAC power-down.

High-Pass Filter

The ADC signal path has a digital high-pass filter. Enabling this filter will remove the effect of any dc offset in the analog input signal from the digital output codes.

Dither

Enabling the dither function will add a small amount of random charge to the sampling capacitors on the ADC inputs. This will eliminate the effect of any idle tones that could occur if there were no input signal present.

ADC Data Word Width

These two bits set the word width of the ADC data.

ADC Data Format

The AD1837 serial data interface can be configured to be compatible with a choice of popular interface formats including I²S, LJ, RJ, or DSP modes.

Master/Slave Aux Mode

When the AD1837 is operating in the Auxiliary Mode the Auxiliary ADC control pins, AUXBCLK and AUXLRCLK, which connect to the external ADCs, can be set to operate as a Master or Slave. If the pins are set in Slave Mode, one of the external ADCs should provide the LRCLK and BCLK signals.

ADC Peak Readback

Setting this bit enables ADC Peak Reading. See the ADC section for more information.

Table III. Control Register Map

| Register Address | Register Name | Description | Type | Width | Reset Setting (Hex) |
|------------------|---------------|----------------------|-------------------|-------|---------------------|
| 0000 | DACCTRL1 | DAC Control 1 | R/ \overline{W} | 10 | 000 |
| 0001 | DACCTRL2 | DAC Control 2 | R/ \overline{W} | 10 | 000 |
| 0010 | DACVOL1 | DAC Volume - Left 1 | R/ \overline{W} | 10 | 3FF |
| 0011 | DACVOL2 | DAC Volume - Right 1 | R/ \overline{W} | 10 | 3FF |
| 0100 | DACVOL3 | DAC Volume - Left 2 | R/ \overline{W} | 10 | 3FF |
| 0101 | DACVOL4 | DAC Volume - Right 2 | R/ \overline{W} | 10 | 3FF |
| 0110 | DACVOL5 | DAC Volume - Left 3 | R/ \overline{W} | 10 | 3FF |
| 0111 | DACVOL6 | DAC Volume - Right 3 | R/ \overline{W} | 10 | 3FF |
| 1000 | DACVOL7 | DAC Volume - Left 4 | R/ \overline{W} | 10 | 3FF |
| 1001 | DACVOL8 | DAC Volume - Right 4 | R/ \overline{W} | 10 | 3FF |
| 1010 | ADCPeak0 | ADC Left Peak | R | 6 | 000 |
| 1011 | ADCPeak1 | ADC Right Peak | R | 6 | 000 |
| 1100 | ADCCTRL1 | ADC Control 1 | R/ \overline{W} | 10 | 000 |
| 1101 | ADCCTRL2 | ADC Control 2 | R/ \overline{W} | 10 | 000 |
| 1110 | ADCCTRL3 | ADC Control 3 | R/ \overline{W} | 10 | 000 |
| 1111 | Reserved | Reserved | R/ \overline{W} | 10 | Reserved |

Table IV. DAC Control I

| Address | R/ \overline{W} | RES | FUNCTION | | | | |
|----------------|-------------------|-----|--------------------------------------------------------------|------------------------------------------------------------------------------------------------------------------------------------------|---------------------------------------------------------------|------------------------------|-----------------------------------------------------------------------|
| | | | De-emphasis | DAC Data Format | DAC Data Word Width | Power Down Reset | Sample Rate |
| 15, 14, 13, 12 | 11 | 10 | 9, 8 | 7, 6, 5 | 4, 3 | 2 | 1, 0 |
| 0000 | 0 | 0 | 00 = None 01 = 44.1 kHz 10 = 32.0 kHz 11 = 48.0 kHz | 000 = I ² S 001 = RJ 010 = DSP 011 = LJ 100 = Pack Mode 256 101 = Reserved 110 = Reserved 111 = Reserved | 00 = 24 Bits 01 = 20 Bits 10 = 16 Bits 11 = Reserved | 0 = Normal 1 = Power-Down | 00 = 8x (48 k) 01 = 4x (96 k) 10 = 2x (192 k) 11 = 8x (48 k) |

Table V. DAC Control II

| Address | R/ \overline{W} | RES | FUNCTION | | | | | | | | | |
|----------------|-------------------|-----|----------|--------------------------|--------------------|--------------------|--------------------|--------------------|--------------------|--------------------|--------------------|--------------------|
| | | | Reserved | Stereo Replicate | MUTE DAC | | | | | | | |
| | | | | | OUTR4 | OUTL4 | OUTR3 | OUTL3 | OUTR2 | OUTL2 | OUTR1 | OUTL1 |
| 15, 14, 13, 12 | 11 | 10 | 9 | 8 | 7 | 6 | 5 | 4 | 3 | 2 | 1 | 0 |
| 0001 | 0 | 0 | 0 | 0 = Off 1 = Replicate | 0 = On 1 = Mute | 0 = On 1 = Mute | 0 = On 1 = Mute | 0 = On 1 = Mute | 0 = On 1 = Mute | 0 = On 1 = Mute | 0 = On 1 = Mute | 0 = On 1 = Mute |

PRELIMINARY TECHNICAL DATA

AD1837

Table VI. DAC Volume Control

| Address | R/W | RES | FUNCTION |
|----------------|-----|-----|------------------------------|
| | | | DAC Volume |
| 15, 14, 13, 12 | 11 | 10 | 9, 8, 7, 6, 5, 4, 3, 2, 1, 0 |
| 0010 = DACL1 | 0 | 0 | 0000000000 = 1/1024 |
| 0011 = DACR1 | | | 0000000001 = 2/1024 |
| 0100 = DACL2 | | | 0000000010 = 3/1024 |
| 0101 = DACR2 | | | 1111111110 = 1022/1024 |
| 0110 = DACL3 | | | 1111111111 = 1023/1024 |
| 0111 = DACR3 | | | |
| 1000 = DACL4 | | | |
| 1001 = DACR4 | | | |

Table VII. ADC Peak

| Address | R/W | RES | FUNCTION | |
|------------------|---------------------|-----|--------------------|-----------------------------------------|
| | | | Six Data Bits | Four Fixed Bits |
| 15, 14, 13, 12 | 11 | 10 | 9, 8, 7, 6, 5, 4 | 3, 2, 1, 0 |
| 0010 = Left ADC | 1 | 0 | 000000 = 0.0 dBFS | 0000 These four bits are always zero |
| 1011 = Right ADC | | | 000001 = -1.0 dBFS | |
| | | | 000010 = -2.0 dBFS | |
| | 111111 = -63.0 dBFS | | | |

Table VIII. ADC Control I

| Address | R/W | RES | FUNCTION | | | | |
|----------------|-----|-----|-----------------------------|-------------------------------|------------------------------|--------------------------|--------------------------------------|
| | | | Dither | Filter | ADC Power Down | Sample Rate | Reserved |
| 15, 14, 13, 12 | 11 | 10 | 9 | 8 | 7 | 6 | 5, 4, 3, 2, 1, 0 |
| 1100 | 0 | 0 | 0 = Disabled 1 = Enabled | 0 = All Pass 1 = High-Pass | 0 = Normal 1 = Power-Down | 0 = 48 kHz 1 = 96 kHz | 0, 0, 0, 0, 0, 0 0, 0, 0, 0, 0, 0 |

Table IX. ADC Control II

| Address | R/W | RES | FUNCTION | | | | | |
|----------------|-----|-----|-------------------------|-------------------------------------------------------------------------------------------------------------------------------------------------|---------------------------------------------------------------|----------|--------------------|--------------------|
| | | | Master/Slave Aux Mode | ADC Data Format | ADC Data Word Width | Reserved | ADC MUTE | |
| | | | | | | | Right | Left |
| 15, 14, 13, 12 | 11 | 10 | 9 | 8, 7, 6 | 5, 4 | 3, 2 | 1 | 0 |
| 1101 | 0 | 0 | 0 = Slave 1 = Master | 000 = I ² S 001 = RJ 010 = DSP 011 = LJ 100 = Packed 256 101 = Reserved 110 = Auxiliary 256 111 = Auxiliary 512 | 00 = 24 Bits 01 = 20 Bits 10 = 16 Bits 11 = Reserved | 0, 0 | 0 = On 1 = Mute | 0 = On 1 = Mute |

Table X. ADC Control III

| Address | R/W | RES | FUNCTION | | | | |
|----------------|-----|-----|----------|----------------------------------------------------------------|---------------------------------------------------------|------------------------------------------|-----------------------------------------|
| | | | Reserved | IMCLK Clocking Scaling | ADC Peak Readback | DAC Test Mode | ADC Test Mode |
| 15, 14, 13, 12 | 11 | 10 | 9, 8 | 7, 6 | 5 | 4, 3, 2 | 1, 0 |
| 1110 | 0 | 0 | 0, 0 | 00 = MCLK × 2 01 = MCLK 10 = MCLK × 2/3 11 = MCLK × 2 | 0 = Disabled Peak Readback 1 = Enabled Peak Readback | 000 = Normal Mode All others reserved | 00 = Normal Mode All others reserved |

CASCADE MODE

Dual AD1837 Cascade

The AD1837 can be cascaded to an additional AD1837 which, in addition to six external stereo ADCs, can be used to create a 32-channel audio system with 16 inputs and 16 outputs. The cascade is designed to connect to a SHARC DSP and operates in a Time Division Multiplexing (TDM) format. Figure 14 shows the connection diagram for cascade operation. The digital interface for both parts must be set to operate in Auxiliary 512 mode by programming ADC Control Register II. AD1837 #1 is set as a master device by connecting the $\overline{M/S}$ pin to DGND and AD1837 #2 is set as a slave device by connecting the $\overline{M/S}$ to DVDD. Both devices should be run from the same MCLK and PD/RST signals to ensure that they are synchronized.

With Device 1 set as a master it will generate the frame-sync and bit clock signals. These signals are sent to the SHARC and Device 2 ensuring that both know when to send and receive data.

The cascade can be thought of as two 256-bit shift registers, one for each device. At the beginning of a sample interval the shift registers contain the ADC results from the previous sample interval. The first shift register (Device 1) clocks data into the SHARC and also clocks in data from the second shift register (Device 2). While this is happening, the SHARC is sending DAC data to the second shift register. By the end of the sample interval all 512 bits of ADC data in the shift registers will have been clocked into the SHARC and been replaced by DAC data which is subsequently written to the DACs. Figure 15 shows the timing diagram for the cascade operation.

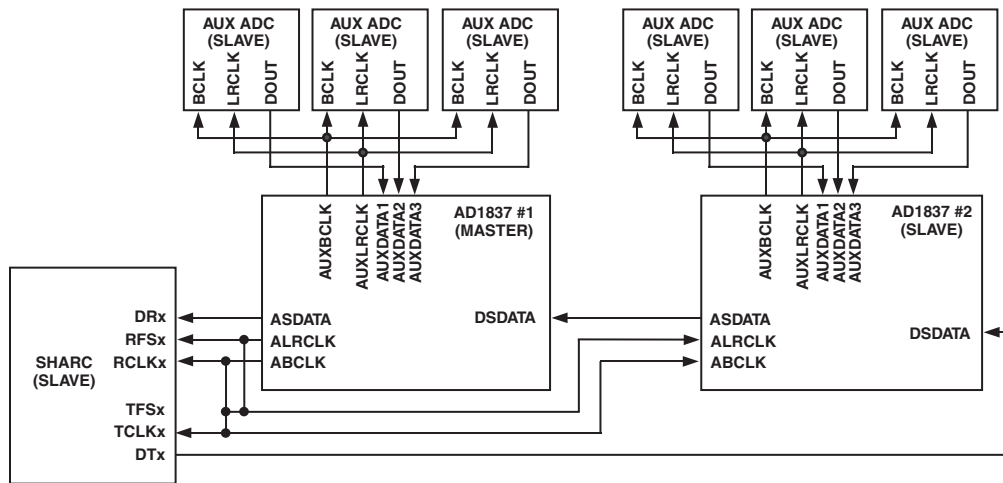


Figure 14. Cascade

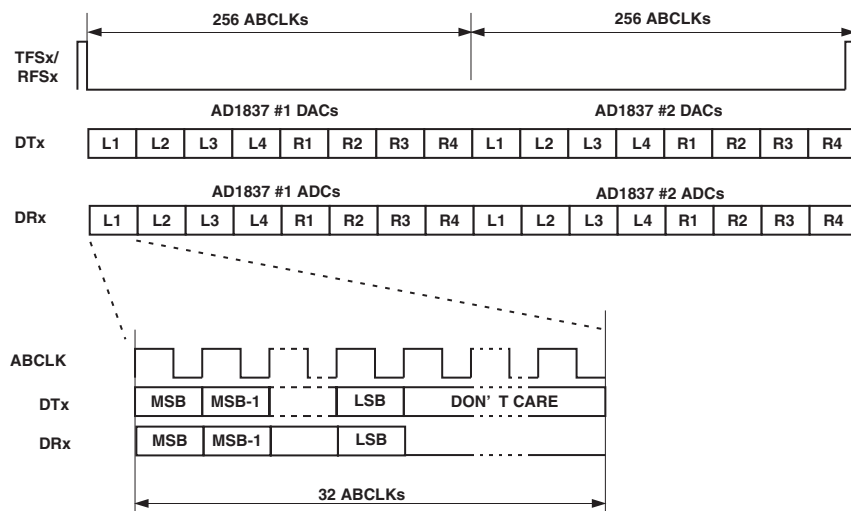


Figure 15. Cascade Timing

AD1837

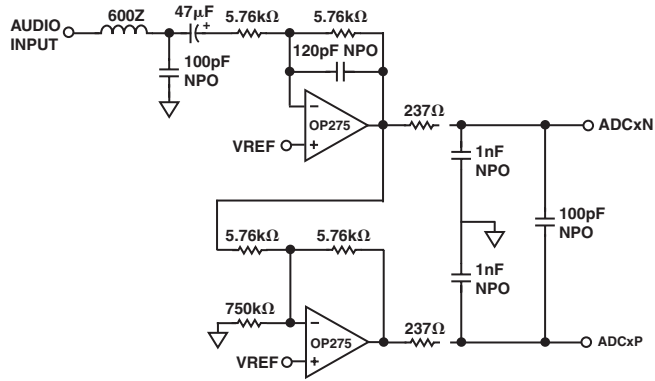


Figure 16. Typical ADC Input Filter Circuit

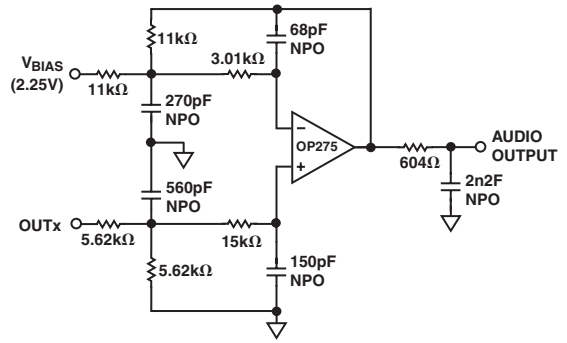


Figure 17. Typical DAC Output Filter Circuit

