

INTRODUCTION

The S6A0070 is a dot matrix LCD driver & controller LSI which is fabricated by low power CMOS technology. It is capable of displaying 1 or 2 lines with the 5 × 7 format or 1 line with the 5 × 10 dots format. The mirror type of S6A0070: S6A1070

FUNCTION

- Character type dot matrix LCD driver & controller
- Internal driver: 16 common and 80 segment signal output
- Easy Interface with a 4-bit or 8-bit MPU
- Display character pattern: 5 × 7 dots format (192 kinds), 5 × 10 dots format (32 kinds)
- The special character pattern is directly programmable by the Character Generator RAM.
- A customer character pattern is programmable by mask option.
- It can drive a maximum 80 characters by using the S6A0065 or S6A2067 externally.
- Various instruction functions
- Built-in automatic power on reset
- Driving method is A-type (line inversion)

FEATURES

- Internal Memory
 - Character Generator ROM: 8320bits (192 cha. X 5 x 7 dots) & (32 cha. X 5 x 10 dots)
 - Character Generator RAM: 64 x 8 bits (8 cha. X 5 x 7 dots)
 - Display Data RAM: 80 × 8 bits for 80 digits (80 characters max.)
- Power Supply Voltage: 2.7 to 5.5 V (V_{DD})
- LCD Driving Voltage: 3.0 to 10.0 V ($V_{DD} - V_5$)
- Supply Voltage for display: 0 to -5V (V_5)
- Programmable duty cycle: 1/8 duty, 1/11 duty or 1/16
- Internal oscillator with an external resistor
- Bare die or bumped chip available

Precautions for Light

Light has characteristics to move electrons in the integrated circuitry of semiconductors, therefore may change the characteristics of semiconductor devices when irradiated with light. Consequently, the users of the packages which may expose chips to external light such as COB, COG, TCP and COF must consider effective methods to block out light from reaching the IC on all parts of the surface area, the top, bottom and the sides of the chip. Follow the precautions below when using the products.

1. Consider and verify the protection of penetrating light to the IC at substrate (board or glass) or product design stage.
2. Always test and inspect products under the environment with no penetration of light.

BLOCK DIAGRAM

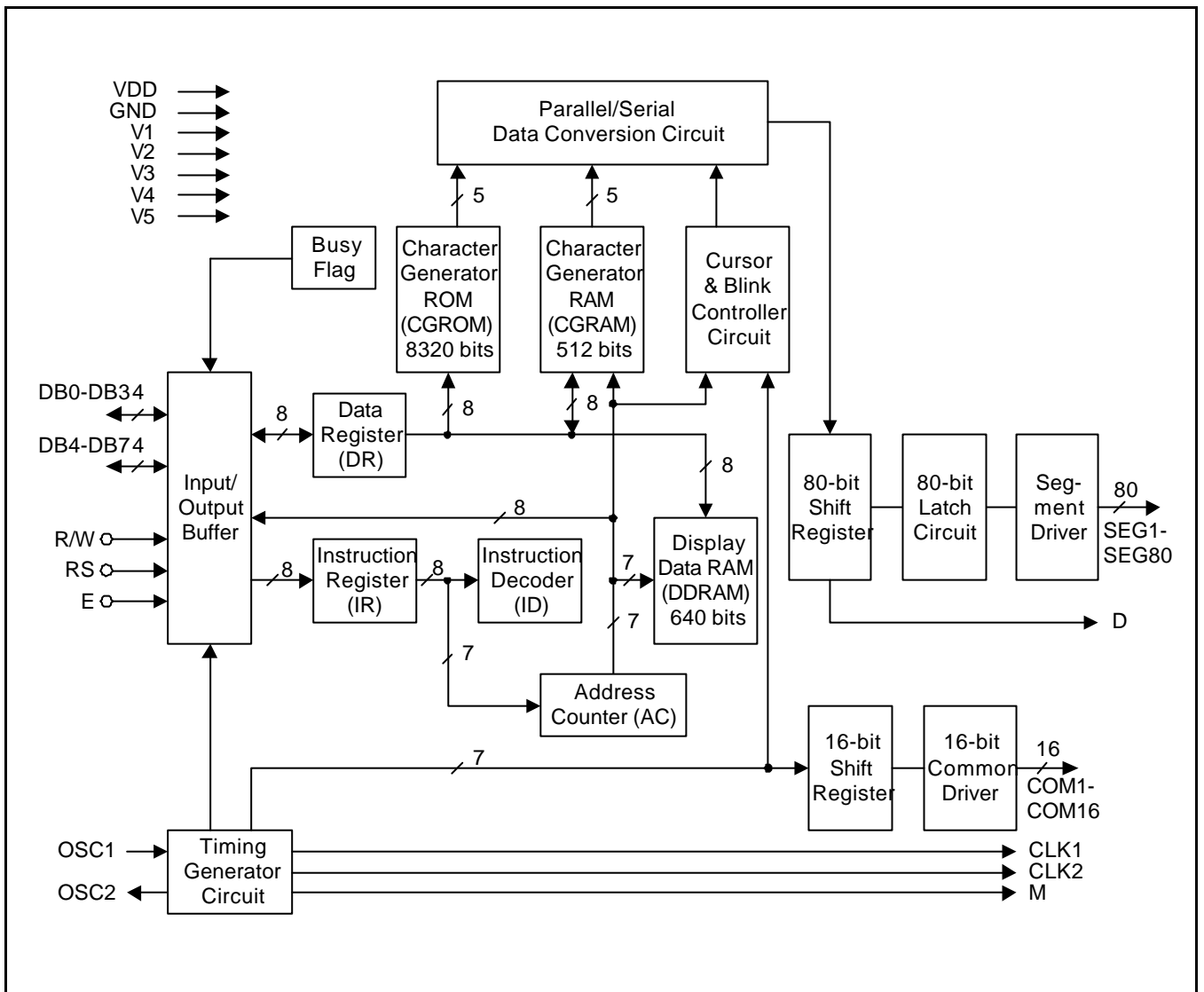


Figure 1. S6A0070 Block Diagram

PIN CONFIGURATION

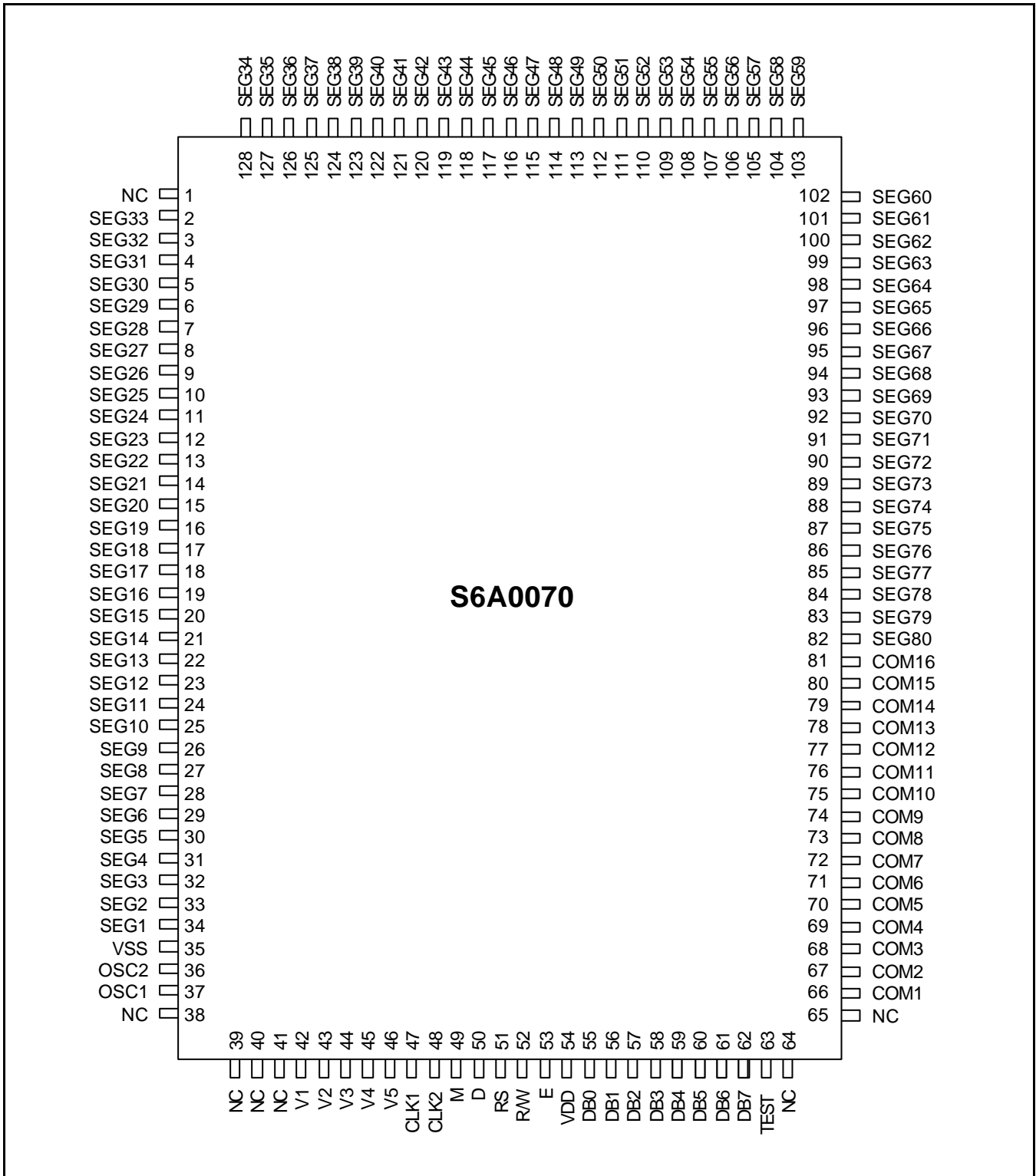


Figure 2. S6A0070 Pin Configuration

PAD CONFIGURATION

Figure 3. Normal Type PAD Configuration

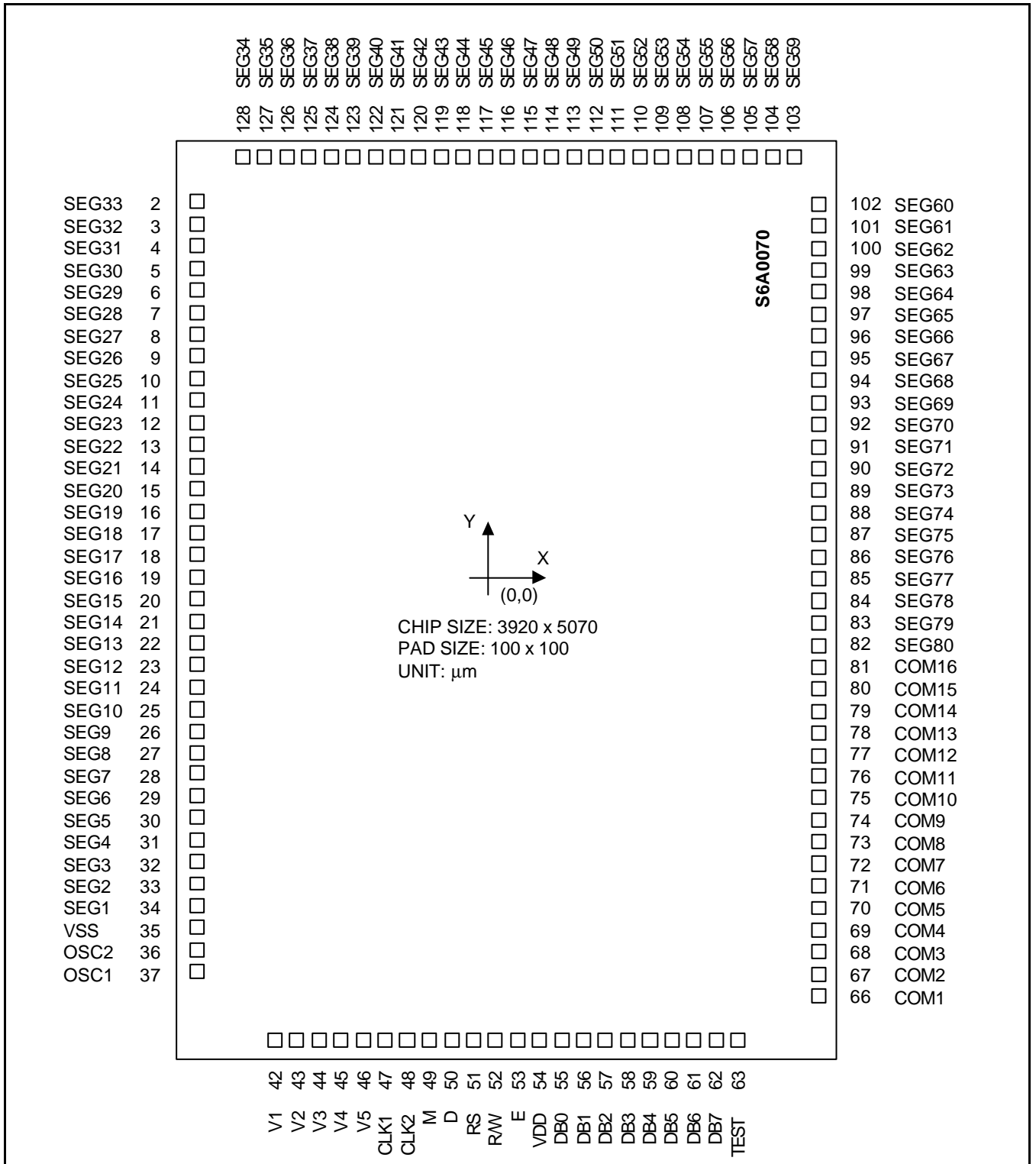
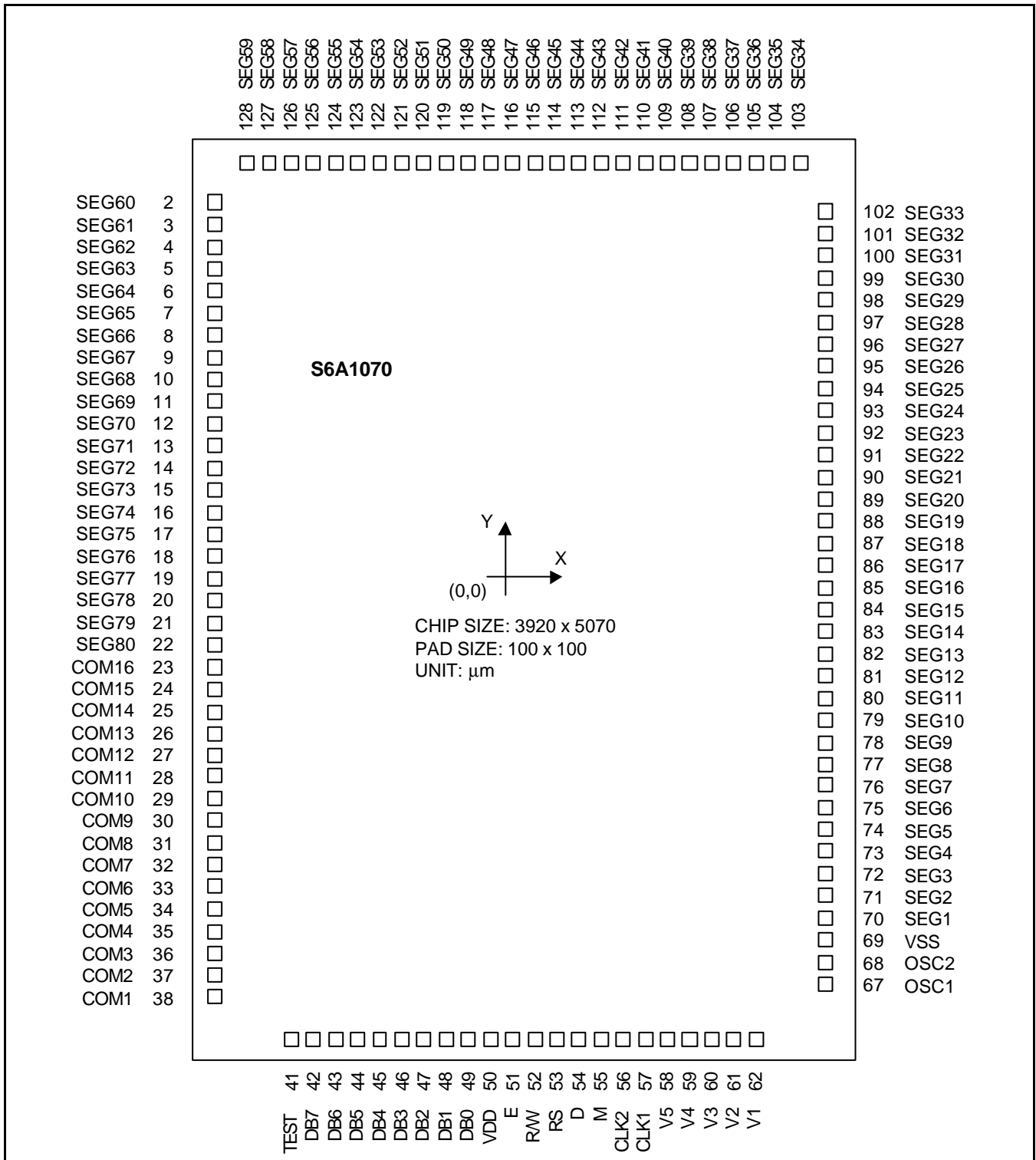


Figure 4. Mirror Type PAD Configuration



PAD CENTER COORDINATES

Table 1. Normal Type PAD Coordinate (S6A0070)

PAD NUM.	PAD NAME	COORDINATE		PAD NUM.	PAD NAME	COORDINATE		PAD NUM.	PAD NAME	COORDINATE	
		X	Y			X	Y			X	Y
1		NC		44	V3	-905	-2369	87	S75	1794	294
2	S33	-1794	2169	45	V4	-780	-2369	88	S74	1794	419
3	S32	-1794	2044	46	V5	-655	-2369	89	S73	1794	544
4	S31	-1794	1919	47	CLK1	-530	-2369	90	S72	1794	669
5	S30	-1794	1794	48	CLK2	-405	-2369	91	S71	1794	794
6	S29	-1794	1669	49	M	-280	-2369	92	S70	1794	919
7	S28	-1794	1544	50	D	-155	-2369	93	S69	1794	1044
8	S27	-1794	1419	51	RS	-30	-2369	94	S68	1794	1169
9	S26	-1794	1294	52	R/W	95	-2369	95	S67	1794	1294
10	S25	-1794	1169	53	E	220	-2369	96	S66	1794	1419
11	S24	-1794	1044	54	VDD	345	-2369	97	S65	1794	1544
12	S23	-1794	919	55	DB0	470	-2369	98	S64	1794	1669
13	S22	-1794	794	56	DB1	595	-2369	99	S63	1794	1794
14	S21	-1794	669	57	DB2	720	-2369	100	S62	1794	1919
15	S20	-1794	544	58	DB3	845	-2369	101	S61	1794	2044
16	S19	-1794	419	59	DB4	970	-2369	102	S60	1794	2169
17	S18	-1794	294	60	DB5	1095	-2369	103	S59	1563	2369
18	S17	-1794	169	61	DB6	1220	-2369	104	S58	1438	2369
19	S16	-1794	44	62	DB7	1345	-2369	105	S57	1313	2369
20	S15	-1794	-81	63	TEST	1470	-2369	106	S56	1183	2369
21	S14	-1794	-206	64	NC			107	S55	1063	2369
22	S13	-1794	-331	65	NC			108	S54	938	2369
23	S12	-1794	-456	66	C1	1794	-2331	109	S53	813	2369
24	S11	-1794	-581	67	C2	1794	-2206	110	S52	688	2369
25	S10	-1794	-706	68	C3	1794	-2081	111	S51	563	2369
26	S9	-1794	-831	69	C4	1794	-1956	112	S50	438	2369
27	S8	-1794	-956	70	C5	1794	-1831	113	S49	313	2369
28	S7	-1794	-1081	71	C6	1794	-1706	114	S48	188	2369
29	S6	-1794	-1206	72	C7	1794	-1581	115	S47	63	2369
30	S5	-1794	-1331	73	C8	1794	-1456	116	S46	-62	2369

Normal Type Pad Coordinate (Continued)

PAD	PAD	COORDINATE		PAD	PAD	COORDINATE		PAD	PAD	COORDINATE	
NUM.	NAME	X	Y	NUM.	NAME	X	Y	NUM.	NAME	X	Y
31	S4	-1794	-1456	74	C9	1794	-1331	117	S45	-187	2369
32	S3	-1794	-1581	75	C10	1794	-1206	118	S44	-312	2369
33	S2	-1794	-1706	76	C11	1794	-1081	119	S43	-437	2369
34	S1	-1794	-1831	77	C12	1794	-956	120	S42	-562	2369
35	VSS	-1794	-1956	78	C13	1794	-831	121	S41	-687	2369
36	OSC2	-1794	-2106	79	C14	1794	-706	122	S40	-812	2369
37	OSC1	-1794	-2231	80	C15	1794	-581	123	S39	-937	2369
38	NC			81	C16	1794	-456	124	S38	-1062	2369
39	NC			82	S80	1794	-331	125	S37	-1187	2369
40	NC			83	S79	1794	-206	126	S36	-1312	2369
41	NC			84	S78	1794	-81	127	S35	-1437	2369
42	V1	-1155	-2369	85	S77	1794	44	128	S34	-1562	2369
43	V2	-1030	-2369	86	S76	1794	169				

NOTE: "S6A0070" Marking: easy to find the PAD No. 98.

Table 2. Mirror Type PAD Coordinate (S6A1070)

PAD NUM.	PAD NAME	COORDINATE		PAD NUM.	PAD NAME	COORDINATE		PAD NUM.	PAD NAME	COORDINATE	
		X	Y			X	Y			X	Y
1	NC			44	DB5	-1095	-2369	87	S18	1794	294
2	S60	-1794	2169	45	DB4	-970	-2369	88	S19	1794	419
3	S61	-1794	2044	46	DB3	-845	-2369	89	S20	1794	544
4	S62	-1794	1919	47	DB2	-720	-2369	90	S21	1794	669
5	S63	-1794	1794	48	DB1	-595	-2369	91	S22	1794	794
6	S64	-1794	1669	49	DB0	-470	-2369	92	S23	1794	919
7	S65	-1794	1544	50	VDD	-345	-2369	93	S24	1794	1044
8	S66	-1794	1419	51	E	-220	-2369	94	S25	1794	1169
9	S67	-1794	1294	52	RW	-95	-2369	95	S26	1794	1294
10	S68	-1794	1169	53	RS	30	-2369	96	S27	1794	1419
11	S69	-1794	1044	54	D	155	-2369	97	S28	1794	1544
12	S70	-1794	919	55	M	280	-2369	98	S29	1794	1669
13	S71	-1794	794	56	CLK2	405	-2369	99	S30	1794	1794
14	S72	-1794	669	57	CLK1	530	-2369	100	S31	1794	1919
15	S73	-1794	544	58	V5	655	-2369	101	S32	1794	2044
16	S74	-1794	419	59	V4	780	-2369	102	S33	1794	2169
17	S75	-1794	294	60	V3	905	-2369	103	S34	1562	2369
18	S76	-1794	169	61	V2	1030	-2369	104	S35	1437	2369
19	S77	-1794	44	62	V1	1155	-2369	105	S36	1312	2369
20	S78	-1794	-81	63	NC			106	S37	1187	2369
21	S79	-1794	-206	64	NC			107	S38	1062	2369
22	S80	-1794	-331	65	NC			108	S39	937	2369
23	C16	-1794	-456	66	NC			109	S40	812	2369
24	C15	-1794	-581	67	OSC1	1794	-2231	110	S41	687	2369
25	C14	-1794	-706	68	PSC2	1794	-2106	111	S42	562	2369
26	C13	-1794	-831	69	VSS	1794	-1956	112	S43	437	2369
27	C12	-1794	-956	70	S1	1794	-1831	113	S44	312	2369
28	C11	-1794	-1081	71	S2	1794	-1706	114	S45	187	2369
29	C10	-1794	-1206	72	S3	1794	-1581	115	S46	62	2369
30	C9	-1794	-1331	73	S4	1794	-1456	116	S47	-63	2369
31	C8	-1794	-1456	74	S5	1794	-1331	117	S48	-188	2369
32	C7	-1794	-1581	75	S6	1794	-1206	118	S49	-313	2369
33	C6	-1794	-1706	76	S7	1794	-1081	119	S50	-438	2369

Mirror Type Pad Coordinate (Continued)

PAD	PAD	COORDINATE		PAD	PAD	COORDINATE		PAD	PAD	COORDINATE	
NUM.	NAME	X	Y	NUM.	NAME	X	Y	NUM.	NAME	X	Y
34	C5	-1794	-1831	77	S8	1794	-956	120	S51	-563	2369
35	C4	-1794	-1956	78	S9	1794	-831	121	S52	-688	2369
36	C3	-1794	-2081	79	S10	1794	-706	122	S53	-813	2369
37	C2	-1794	-2206	80	S11	1794	-581	123	S54	-938	2369
38	C1	-1794	-2331	81	S12	1794	-456	124	S55	-1063	2369
39	NC			82	S13	1794	-331	125	S56	-1188	2369
40	NC			83	S14	1794	-206	126	S57	-1313	2369
41	TEST	-1470	-2369	84	S15	1794	-81	127	S58	-1438	2369
42	DB7	-1345	-2369	85	S16	1794	44	128	S59	-1563	2369
43	DB6	-1220	-2369	86	S17	1794	169				

NOTE: "S6A1070" Marking: easy to find the PAD No. 12.

PIN DESCRIPTION

Table 3. S6A0070 Pin Description

Pad (No) (normal/mirror)	I/O	Name	Description	Interface
V _{DD} (54/50)	–	Power	for logical circuit (+3V, +5V)	Power supply
V _{SS} (35, 69)		supply	0V (GND)	
V1-V5 (42-46/62-58)		Power supply	Bias voltage level for LCD driving	
S1-S80 (34-2, 128-82/ 70-128, 2-28)	Output	Segment output	Segment signal output for LCD driving	LCD
C1-C16 (66-81/38-23)	Output	Common output	Common signal output for LCD driving	LCD
OSC1, OSC2 (37, 36/67, 68)	Input (OSC1) Output (OSC2)	Oscillator	When using internal oscillator, connect external Rf resistor. If external clock is used, connect it to OSC1.	Extension register/ oscillator (OSC1)
CLK1, CLK2 (47, 48/57, 56)	Output	Extension driver latch (CLK1)/Shift (CLK2) clock	Each outputs extension driver latch clock and extension driver shift clock	Extension driver
M (49/55)	Output	Alternated signal for LCD driver output	Outputs the alternating signal to convert LCD driver waveform to AC.	Extension driver
D (50/54)	Output	Display data interface	Output extension driver data (the 41st dot' s data)	Extension driver
RS (51/53)	Input	Register select	Used s register selection input. When RS = 1, Data register is selected. When RS = 0, Instruction register is selected	MPU
RW (52/52)	Input	Read/Write	Used as read/write selection input. When RW = 1, read operation. When RW = 0, write operation.	MPU
E (53/51)	Input	Read/Write Enable	Used as read. Write enable signal.	MPU
DB0-DB3 (55-58/49-46)	Input/ Output	Data bus 0-3	When 8-bit bus mode, used as low order bi-directional data bus. During 4-bit bus mode open these pins.	MPU
DB4-DB7 (59-62/45-42)	Input/ Output	Data bus 4-7	When 8-bit bus mode, used as high order bi-directional data bus. In case of 4-bit bus mode, used as both high and low order. DB7 used for Busy Flag output.	MPU
TEST(63/41)	Input	Test pin	This pin must be fixed to V _{DD} or open.	–

FUNCTION DESCRIPTION

System Interface

This chip has both kinds of interface type with MPU: 4-bit bus and 8-bit bus. 4-bit bus and 8-bit bus are selected by the DL bit in the instruction register.

During read or write operation, two 8-bit registers are used. One is the data register (DR), and the other is the instruction register (IR).

The data register (DR) is used as temporary data storage place for being written into or read from DRAM/CGRAM. Target RAM is selected by RAM address setting instruction. Each internal operation, reading from or writing into RAM, is done automatically. After MPU reads DR data, the data in the next DDRAM/CGRAM address is transferred into DR automatically. Also, after MPU writes data to DR, the data in DR is transferred into DDRAM/CGRAM automatically.

The instruction register (IR) is used only to store instruction codes transferred from MPU. MPU cannot use it to read instruction data.

To select a register, use RS input pin in 4-bit/8-bit bus mode.

Table 4. Various Kinds of Operations to RS and R/W bits.

RS	R/W	Operation
0	0	Instruction Write operation (MPU writes instruction code into IR)
0	1	Read Busy flag (DB7) and address counter (DB0 - DB7)
1	0	Data Write operation (MPU writes data into DR)
1	1	Data Read operation (MPU reads data into DR)

Busy Flag (BF)

When BF = 1, it indicates that the internal operation is being processed. So during this time the next instruction cannot be accepted. BF can be read, when RS = 0, and R/W = 1. (Read Instruction Operation), through DB7 port. Before executing the next instruction, be sure that BF is not 1.

Address Counter (AC)

The Address Counter (AC) stores DDRAM/CGRAM addresses, transferred from IR. After writing into (reading from) DDRAM/CGRAM. AC is automatically increased (decreased) by 1. When RS = 0 and R/W = 1, AC can be read through ports DB0 - DB6.

Display Data RAM (DDRAM)

DDRAM stores display data of maximum 80 x 8 bits (80 characters). DDRAM address is set in the address counter (AC) as a hexadecimal number. (Refer to Figure 5).

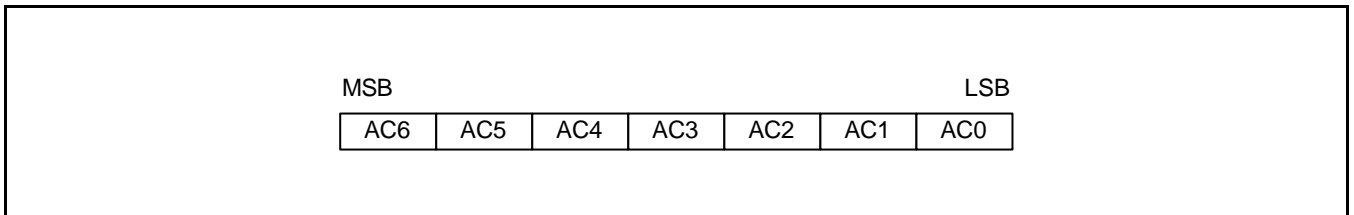


Figure 5. DDRAM Address

1) 1-line Display

In the case of a 1-line display, the address range of DDRAM is 00H - 04H. An Extension driver will be used. Figure 6 shows the example when a 40-segment extension driver is added.

2) 2-line Display

In the case of a 2-line display, the address range of DDRAM is 00H - 27H and 40H - 67H. An Extension driver will be used. Figure 7 shows the example a 40 segment extension driver is added.

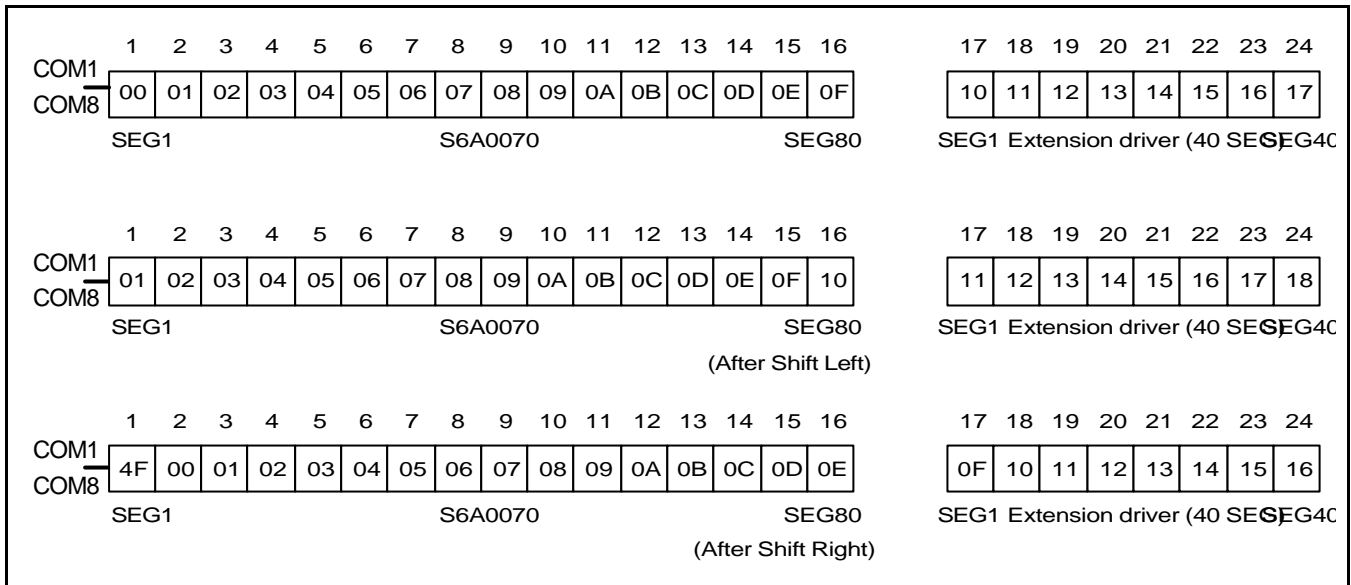


Figure 6. 1-line x 24ch. Display with 40 SEG. Extension Driver

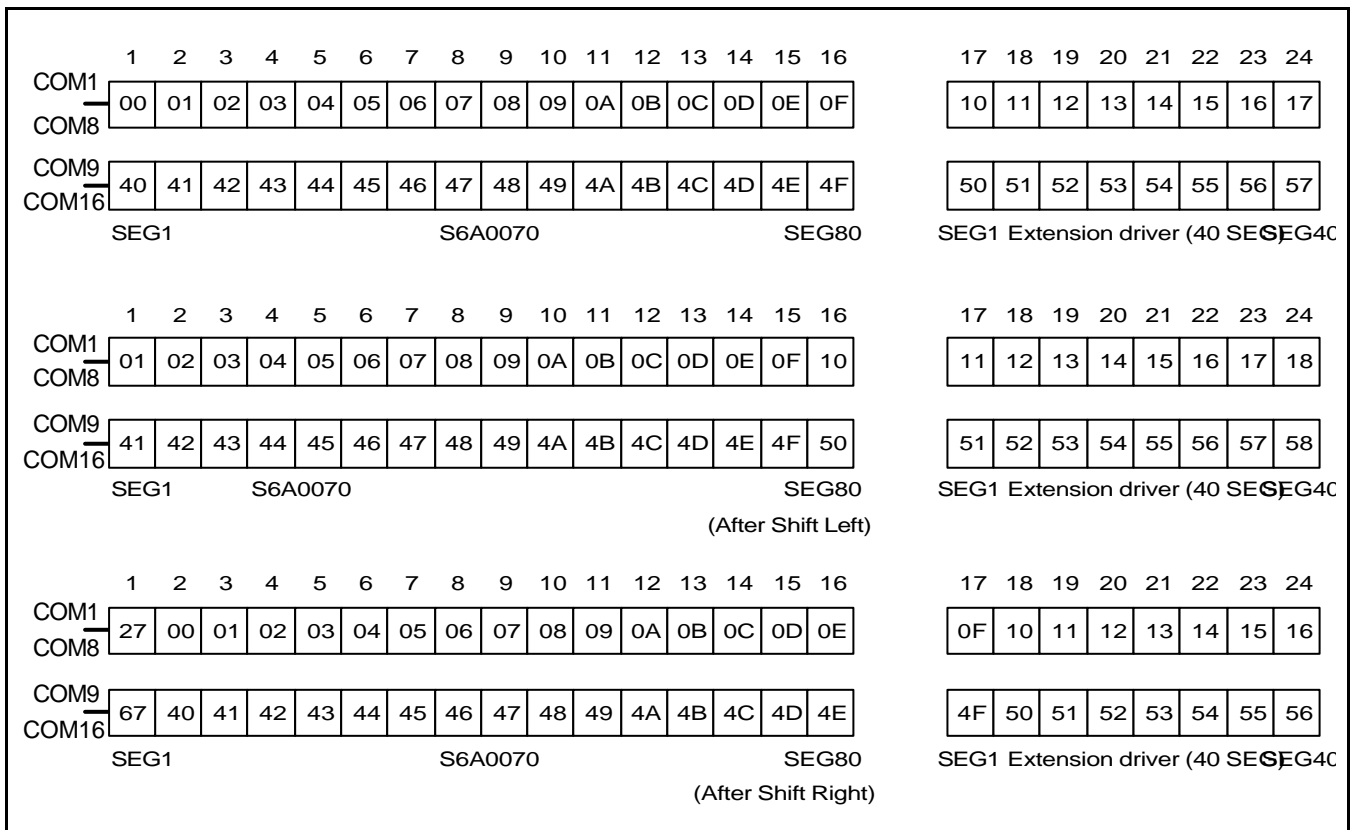


Figure 7. 2-line x 24ch. Display with 40 SEG. Extension Driver

CGROM (Characteristic Generator ROM)

CGROM has a 5 x 7 dots 192 character pattern, and a 5 x 7 10 dots 32 character pattern

CGRAM (Character Generator RAM)

CGRAM has up to 5 x 8 dots 8 characters. By writing font data to CGRAM, user defined characters can be used (Refer to table 5).

Timing Generation Circuit

Timing generation circuit generates clock signals for the internal operations.

LCD Driver Circuit

LCD Driver circuit has 16 common and 80 segment signals for LCD driving. Data from CGRAM/CGROM is transferred to an 80-bit segment latch serially, and then stored to an 80-bit shift latch. When each com is selected by a 16-bit common register, segment data is also output through the segment driver from and 80-bit segment latch. In case of a 1-line display mode, COM1 - COM8 have 1/8 duty or COM1-COM11 have a 1/11 duty. In a 2-line display mode, COM1 - COM16 have a 1/16 duty ratio.

Cursor/Blink Control Circuit

It controls cursor/blink ON/OFF at cursor position.

Table 5. Relationship Between Character Code (DDRAM) and Character Pattern (CGROM)

Character Code (DDRAM data)								CGRAM Address						CGRAM Data								Pattern number
D7	D6	D5	D4	D3	D2	D1	D0	A5	A4	A3	A2	A1	A0	P7	P6	P5	P4	P3	P2	P1	P0	
0	0	0	0	x	0	0	0	0	0	0	0	0	0	x	x	x	0	1	1	1	0	Pattern 1
											0	0	1				1	0	0	0	1	
											0	1	0				1	0	0	0	1	
				⋮						⋮	0	1	1		⋮		1	1	1	1	1	
				⋮						⋮	1	0	0		⋮		1	0	0	0	1	
				⋮						⋮	1	0	1		⋮		1	0	0	0	1	
				⋮						⋮	1	1	0		⋮		1	0	0	0	1	
											1	1	1				0	0	0	0	0	
				⋮						⋮								⋮				
				⋮						⋮								⋮				
0	0	0	0	x	1	1	1	1	1	1	0	0	0	x	x	x	1	0	0	0	1	Pattern 8
											0	0	1				1	0	0	0	1	
											0	1	0				1	0	0	0	1	
				⋮						⋮	0	1	1		⋮		1	1	1	1	1	
				⋮						⋮	1	0	0		⋮		1	0	0	0	1	
				⋮						⋮	1	0	1		⋮		1	0	0	0	1	
				⋮						⋮	1	1	0		⋮		1	0	0	0	1	
											1	1	1				0	0	0	0	0	

"x": Don't care.

INSTRUCTION DESCRIPTION

OUTLINE

To overcome the speed difference between internal clock of S6A0070 and MPU clock, S6A0070 performs internal operation by storing control information to IR or DR. The internal operation is determined according to the signal from MPU, composed of read/write and data bus. (refer to Table 7) Instruction can be divided largely four kinds,

- (1) S6A0070 function set instructions (set display methods, set data length, etc.)
- (2) Address set instructions to internal RAM
- (3) Data transfer instructions with internal RAM
- (4) Others

The address of internal RAM is automatically increased or decreased by 1.

NOTE: During internal operation, Busy Flag (DB7) is read "1". Busy Flag check must be precede by the next instruction. When you make an MPU program with checking the Busy Flag (DB7) is made, it must be necessary 1/2 fosc for executing the next instruction by falling E signal after the Busy Flag (DB7) goes to "0".

CONTENTS

Clear Display

RS	R/W	DB7	DB6	DB5	DB4	DB3	DB2	DB1	DB0
0	0	0	0	0	0	0	0	0	1

Clear all the display data by writing "20H" (space code) to all DDRAM address, and set DDRAM address to "00H" in the AC (address counter). Return cursor to the original status, namely, bring the cursor to the left edge on first line of the display. Make entry mode increment (I/D = "1").

Return Home

RS	R/W	DB7	DB6	DB5	DB4	DB3	DB2	DB1	DB0
0	0	0	0	0	0	0	0	1	x

Return Home is cursor return home instruction. Set DDRAM address to "00H" in the address counter. Return cursor to its original site and return display to its original status, if shifted. Contents of DDRAM does not change.

Entry Mode Set

RS	R/W	DB7	DB6	DB5	DB4	DB3	DB2	DB1	DB0
0	0	0	0	0	0	0	1	I/D	SH

Set the moving direction of cursor and display.

I/D : Increment/decrement of DDRAM address (cursor or blink)

When I/D = "1", cursor/blink moves to right and DDRAM address is increased by 1.

When I/D = "0", cursor/blink moves to left and DDRAM address is decreased by 1.

* CGRAM operates the same as DDRAM, when reading from or writing to CGRAM.

SH: Shift of entire display

When DDRAM read (CGRAM read/write) operation or SH = "0", shift of entire display is not performed. If SH = "1" and DDRAM write operation, shift of entire display is performed according to I/D value (I/D = "1" : shift left, I/D = "0" : shift right).

Display ON/OFF Control

RS	R/W	DB7	DB6	DB5	DB4	DB3	DB2	DB1	DB0
0	0	0	0	0	0	1	D	C	B

Control display/cursor/blink ON/OFF 1 bit register.

D : Display ON/OFF Control Bit

When D = "1", entire display is turned on.

When D = "0", display is turned off, but display data remained in DDRAM.

C : Cursor ON/OFF Control Bit

When C = "1", cursor is turned on.

When C = "0", cursor is disappeared in current display, but I/D register remains its data.

B : Cursor Blink ON/OFF Control Bit

When B = "1", cursor blink is on, which performs alternate between all the "1" data and display character at the cursor position. When B = "0", blink is off.

Cursor or Display Shift

RS	R/W	DB7	DB6	DB5	DB4	DB3	DB2	DB1	DB0
0	0	0	0	0	1	S/C	R/L	x	x

Without waiting or reading the display data, shift right/left cursor position or display. This instruction is used to correct or search display data. (Refer to table 6) During 2-line mode display, cursor moves to the 2nd line after the 40th digit of the 1st line. Note that display shift is performed simultaneously in all the lines. When displayed data is shifted repeatedly, each line is shifted individually. When display shift is performed, the contents of the address counter are not changed.

Table 6. Shift Patterns According to S/C and R/L Bits

S/C	R/L	Operation
0	0	Shift cursor to the left, AC is decreased by 1
0	1	Shift cursor to the right, AC is increased by 1
1	0	Shift all the display to the left, cursor moves according to the display
1	1	Shift all the display to the right, cursor moves according to the display

Function Set

RS	R/W	DB7	DB6	DB5	DB4	DB3	DB2	DB1	DB0
0	0	0	0	1	DL	N	F	x	x

DL : Interface data length control bit

When DL = "1", it means 8-bit bus mode with MPU.

When DL = "0", it means 4-bit bus mode with MPU. So to speak, DL is a signal to select 8-bit or 4-bit bus mode.

When 4-bit bus mode, it needs to transfer 4-bit data in two times.

N : Display line number control bit

When N = "0", it means 1-line display mode.

When N = "1", 2-line display mode is set.

F : Display font type control bit

When F = "0", 5 × 7 dots format display mode

When F = "1", 5 × 10 dots format display mode.

Set CGRAM Address

RS	R/W	DB7	DB6	DB5	DB4	DB3	DB2	DB1	DB0
0	0	0	1	AC5	AC4	AC3	AC2	AC1	AC0

Set CGRAM address to AC.

This instruction makes CGRAM data available from MPU.

Set DDRAM Address

RS	R/W	DB7	DB6	DB5	DB4	DB3	DB2	DB1	DB0
0	0	1	AC6	AC5	AC4	AC3	AC2	AC1	AC0

Set DDRAM address to AC. This instruction makes DDRAM data available from MPU. When 1-line display mode (N = 0), DDRAM address is from "00H" to "4FH". In 2-line display mode (N = 1), DDRAM address in the 1st line is from "00H" to "27H", and DDRAM address in the 2nd line is from "40H" to "67H".

Read Busy Flag & Address

RS	R/W	DB7	DB6	DB5	DB4	DB3	DB2	DB1	DB0
0	0	BF	AC6	AC5	AC4	AC3	AC2	AC1	AC0

This instruction shows whether S6A0070 is in internal operation or not. If the resultant BF is "1", it means the internal operation is in progress and you have to wait until BF to be Low, and then the next instruction can be performed. In this instruction you can read also the value of address counter.

Write Data to RAM

RS	R/W	DB7	DB6	DB5	DB4	DB3	DB2	DB1	DB0
1	0	D7	D6	D5	D4	D3	D2	D1	D0

Write binary 8-bit data to DDRAM/CGRAM. The selection of RAM from DDRAM, and CGRAM, is set by the previous address set instruction: CDDRAM address set, CGRAM address set). RAM set instruction can also determine the AC direction to RAM. After write operation, the address is automatically increased/decreased by 1, according to the entry mode.

Read Data from RAM

RS	R/W	DB7	DB6	DB5	DB4	DB3	DB2	DB1	DB0
1	1	D7	D6	D5	D4	D3	D2	D1	D0

Read binary 8-bit data from DDRAM/CGRAM. The selection of RAM is set by the previous address set instruction. If the address set instruction of RAM is not performed before this instruction, the data that is read first is invalid, because the direction of AC is not determined. If you read RAM data several times without RAM address set instruction before read operation, you can get correct RAM data from the second, but the first data would be incorrect, because there is no time margin to transfer RAM data. In case of DDRAM read operation, cursor shift instruction plays the same role as DDRAM address set instruction; it also transfer RAM data to output data register. After read operation address counter is automatically increased/decreased by 1 according to the entry mode. After CGRAM read operation, display shift may not be executed correctly.

NOTE: In case of RAM write operation, after this AC is increased/decreased by 1 like reading operation. In this time, AC indicates the next address position, but you can read only the previous data by read instruction.

Table 7. Instruction Table

Instruction	Instruction Code										Description Instruction Code	Execution Time (f _{OSC} =270kHz)	
	RS	R/W	DB7	DB6	DB5	DB4	DB3	DB2	DB1	DB0			
Clear Display	0	0	0	0	0	0	0	0	0	0	1	Write "20H" to DDRAM. and set DDRAM address to "00H" from AC.	1.53ms
Return Home	0	0	0	0	0	0	0	0	0	1	X	Set DDRAM address to "00H" from AC and return cursor to its original position if shifted.	1.53ms
Entry Mode Set	0	0	0	0	0	0	0	0	1	I/D	SH	Assign cursor moving direction and enable the shift of entire display	39μs
Display ON/OFF Control	0	0	0	0	0	0	0	1	D	C	B	Set display(D), cursor(C), and blinking of cursor(B) on/off control bit.	39μs
Cursor or Display Shift	0	0	0	0	0	0	1	S/C	R/L	X	X	Set cursor moving and display shift control bit, and the direction, without changing DDRAM data.	39μs
Function Set	0	0	0	0	0	1	DL	N	F	X	X	Set interface data length (DL : 4-bit/8-bit), numbers of display line (N : 1-line/2-line), display font type(F :0 ..)	39μs
Set CGRAM Address	0	0	0	1	AC5	AC4	AC3	AC2	AC1	AC0		Set CGRAM address in address counter.	39μs
Set DDRAM Address	0	0	1	AC6	AC5	AC4	AC3	AC2	AC1	AC0		Set DDRAM address in address counter.	39μs
Read Busy Flag and Address	0	1	BF	AC6	AC5	AC4	AC3	AC2	AC1	AC0		Whether during internal operation or not can be known by reading BF. The contents of address counter can also be read.	0μs
Write Data to RAM	1	0	D7	D6	D5	D4	D3	D2	D1	D0		Write data into internal RAM (DDRAM/CGRAM).	43μs
Read Data from RAM	1	1	D7	D6	D5	D4	D3	D2	D1	D0		Read data from internal RAM (DDRAM/CGRAM).	43μs

NOTE: When an MPU program with checking the Busy Flag (DB7) is made, it must be necessary 1/2 fosc is necessary for executing the next instruction by the falling edge of the 'E' signal after the Busy Flag (DB7) goes to "0".

INTERFACE WITH MPU

Interface with 8-bit MPU

When interfacing data length is 8-bit, transfer is performed all at once through 8 ports, from DB0 to DB7. Example of timing sequence is shown below.

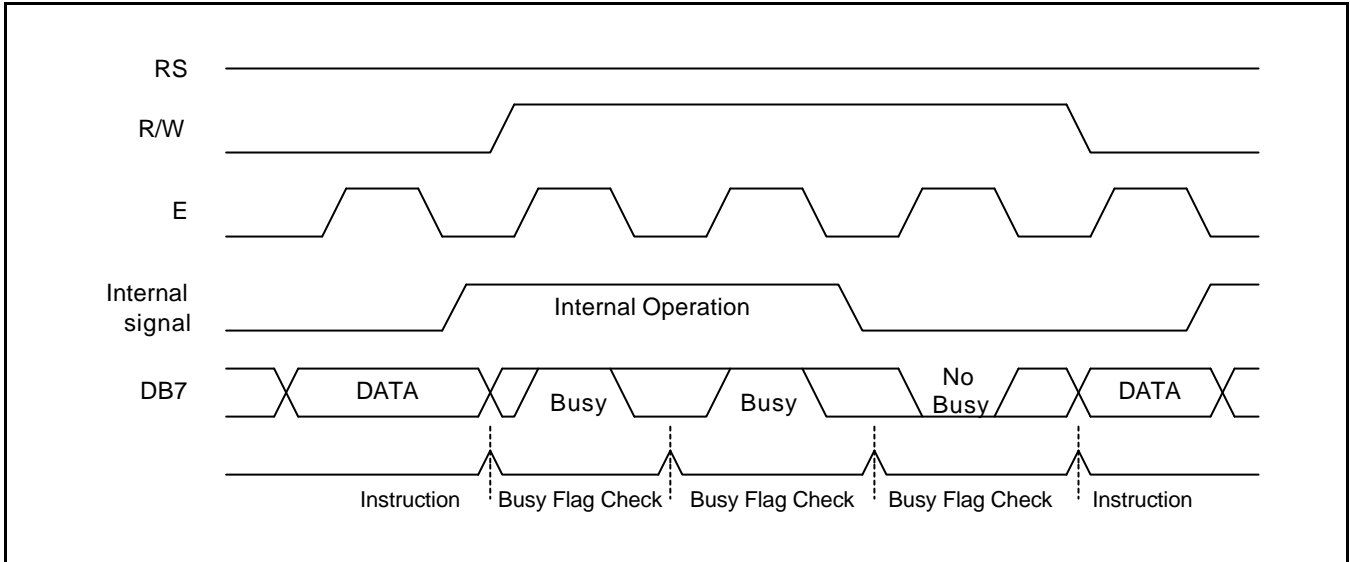


Figure 8. Example of 8-bit Bus Mode Timing Diagram

Interface with 4-bit MPU

When interfacing data length is 4-bit, only 4 ports, from DB4 to DB7, are used as data bus. At first higher 4-bit (in case of 8-bit bus mode, the contents of DB4 - DB7) are transferred, and then lower 4-bit (in case of 8-bit bus mode, the contents of DB0 - DB3) are transferred. So transfer is performed by two parts. Busy Flag outputs "1" after the second transfer are ended. Example of timing sequence is shown below.

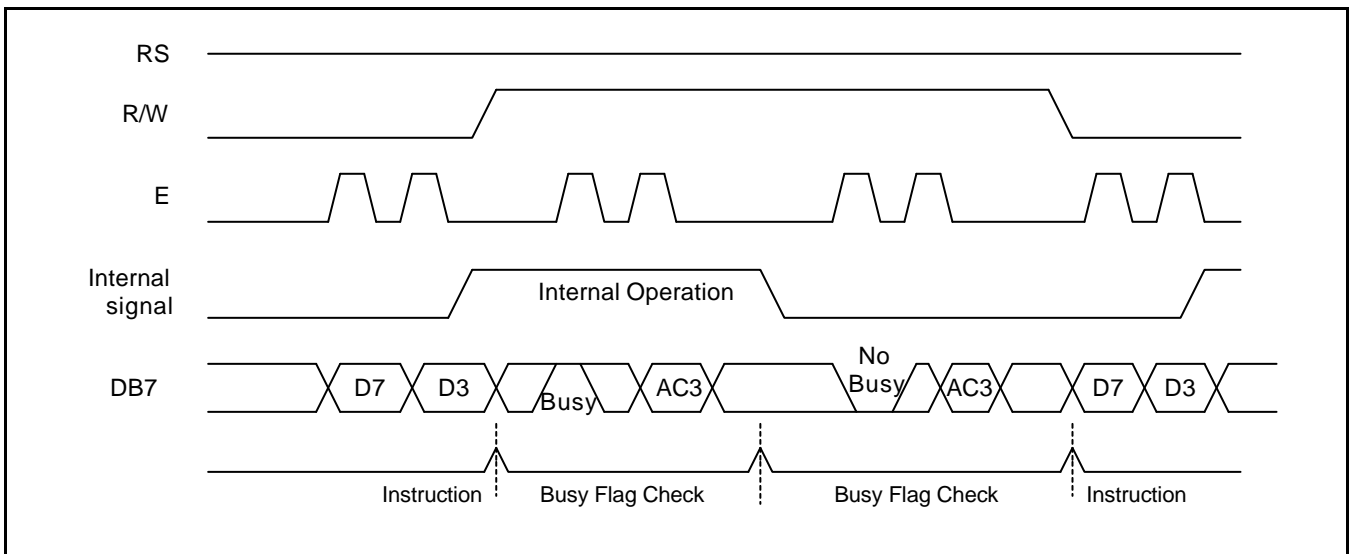
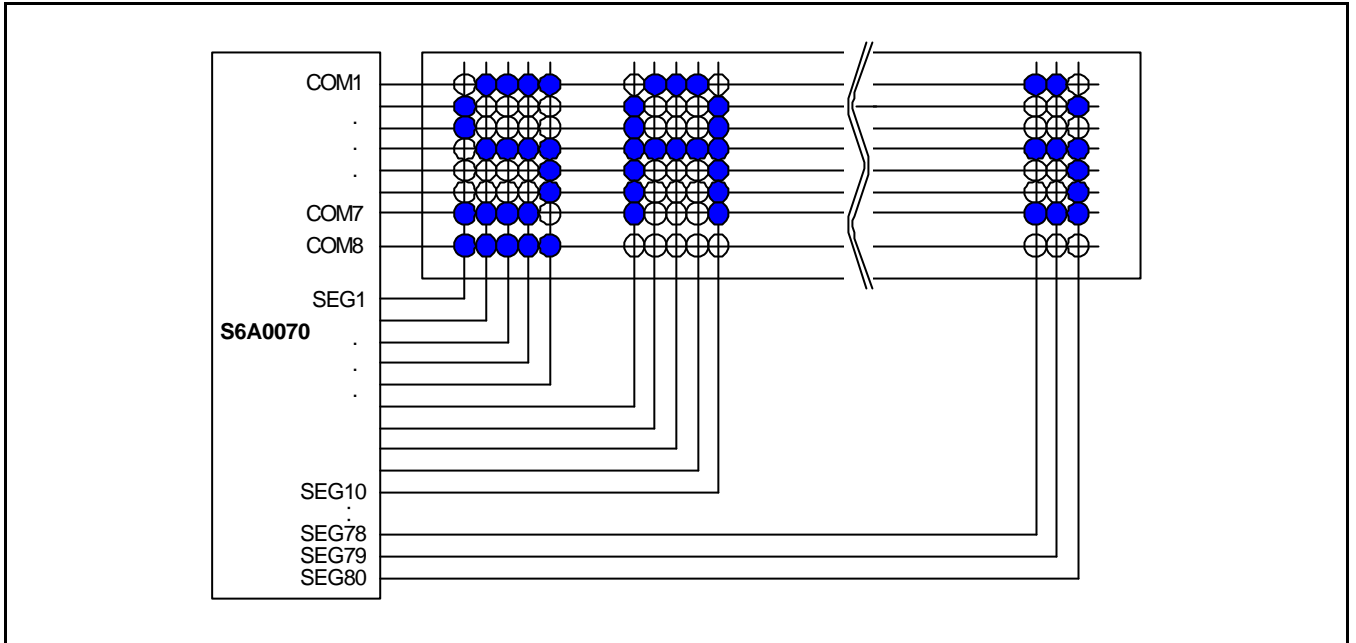


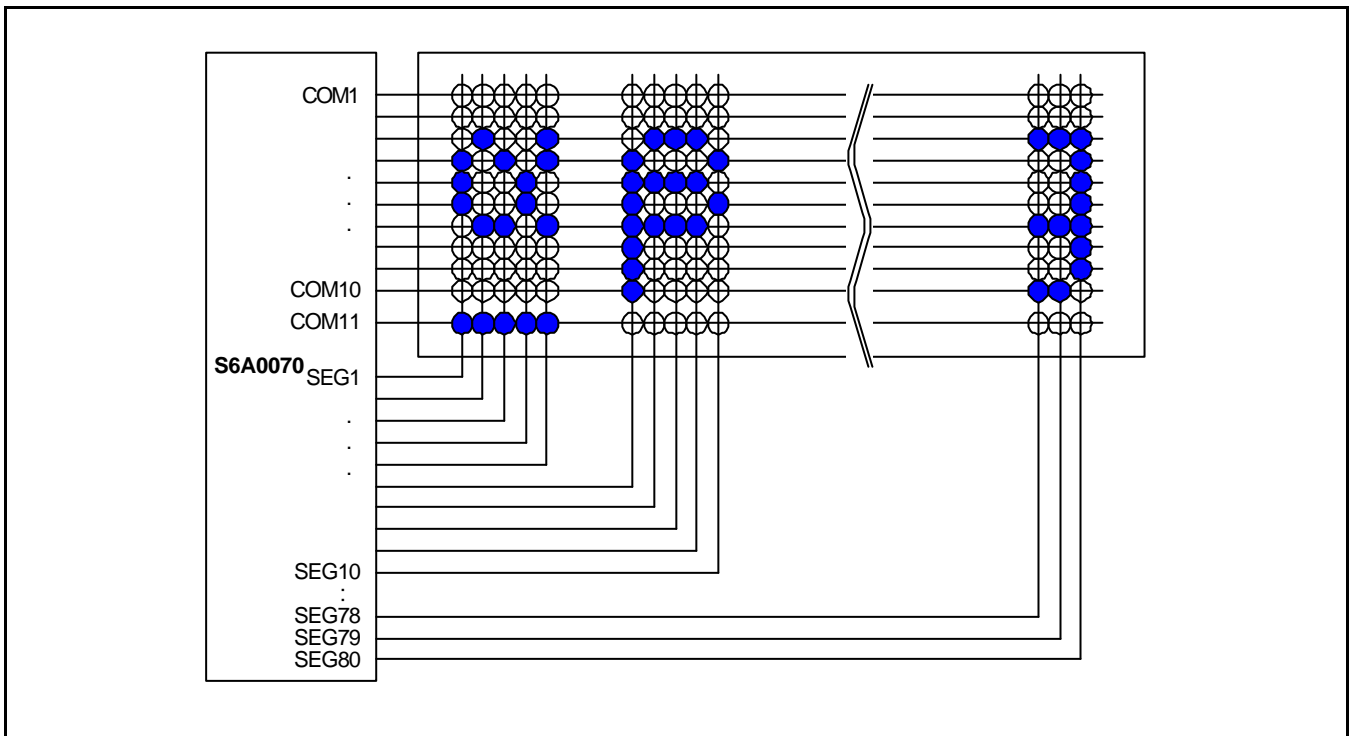
Figure 9. Example of 4-bit Bus Mode Timing Diagram

APPLICATION INFORMATION ACCORDING TO LCD PANEL

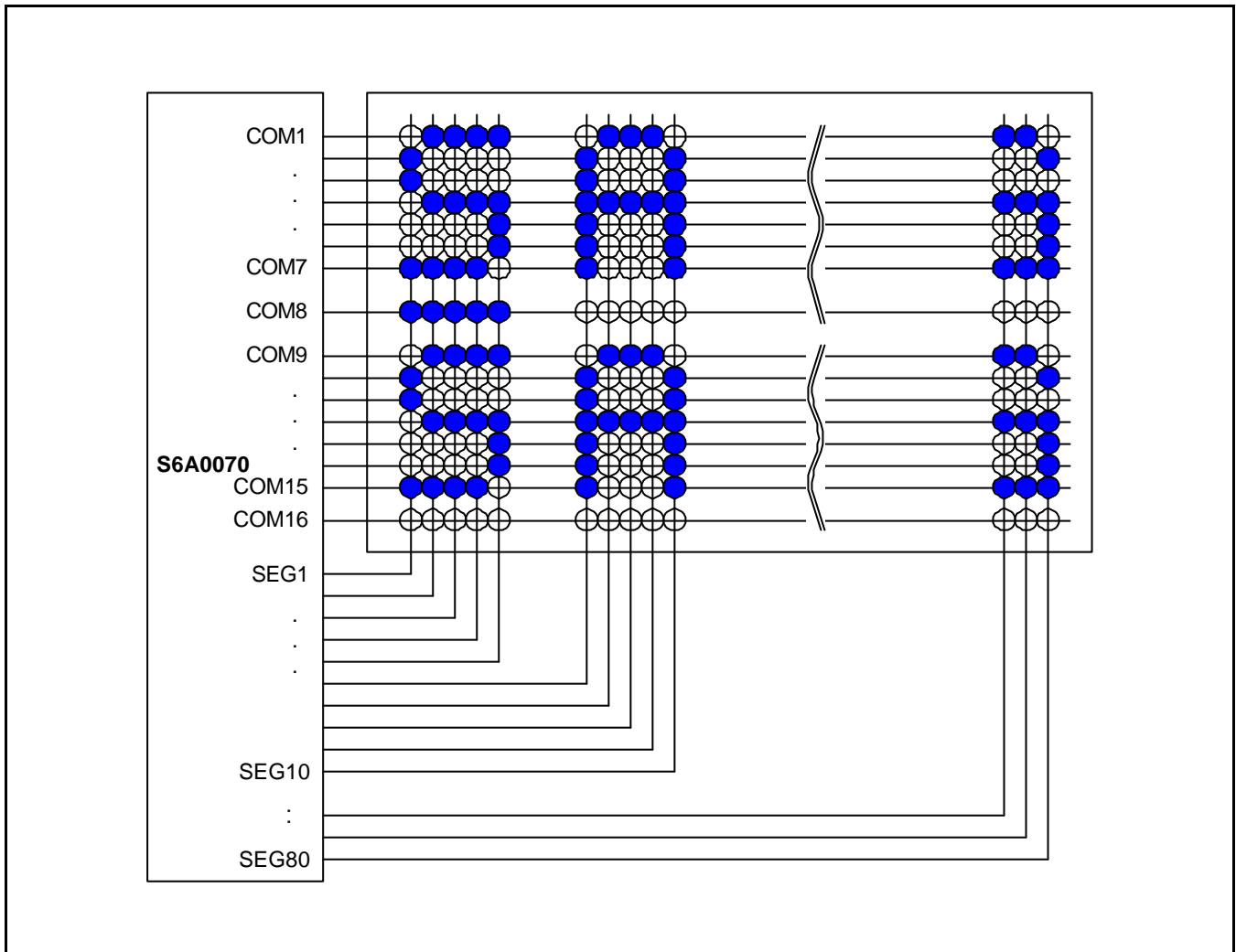
LCD Panel: 16 character \times 1-line character format; 5 \times 7 dots + 1-cursor line (1/4 bias, 1/8 duty)



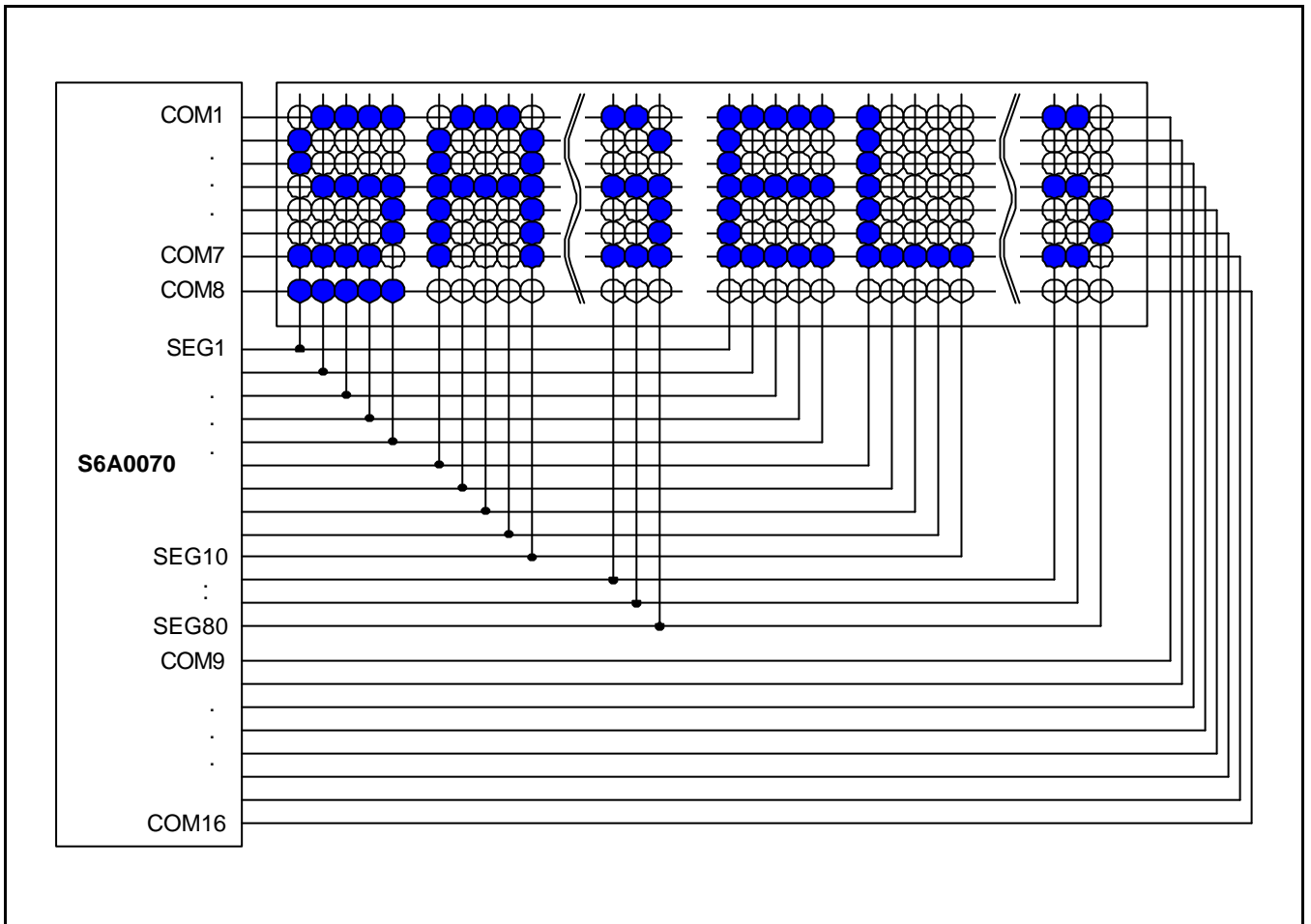
LCD Panel: 16 character \times 1-line character format; 5 \times 10 dots + 1-cursor line (1/4 bias, 1/11 duty)



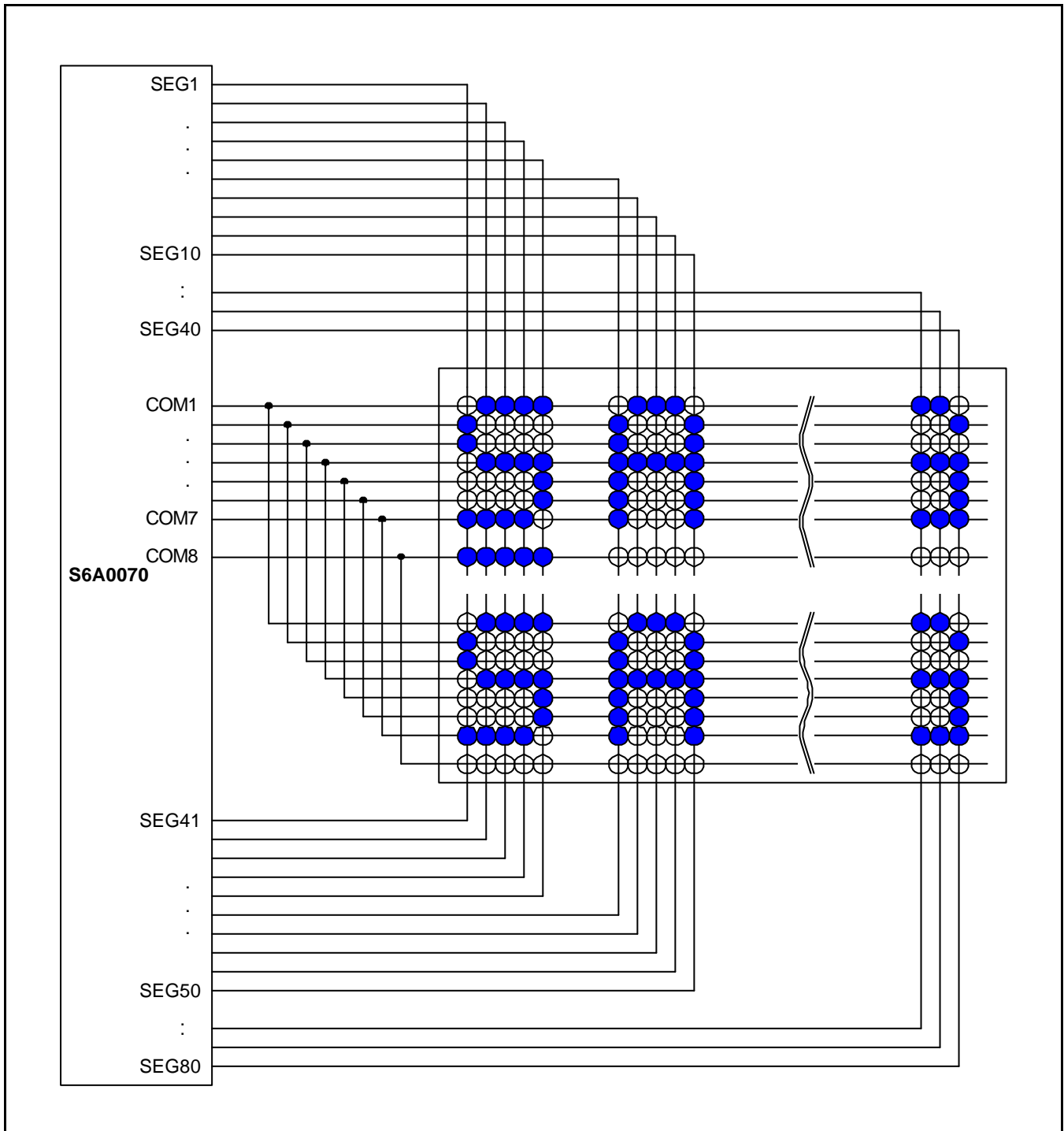
LCD Panel: 16 character \times 2-line character format; 5 \times 7 dots + 1-cursor line (1/5 bias, 1/16 duty)



LCD Panel: 32 character \times 1-line Character format; 5 \times 7 dots + 1-cursor line (1/5 bias, 1/16 duty)

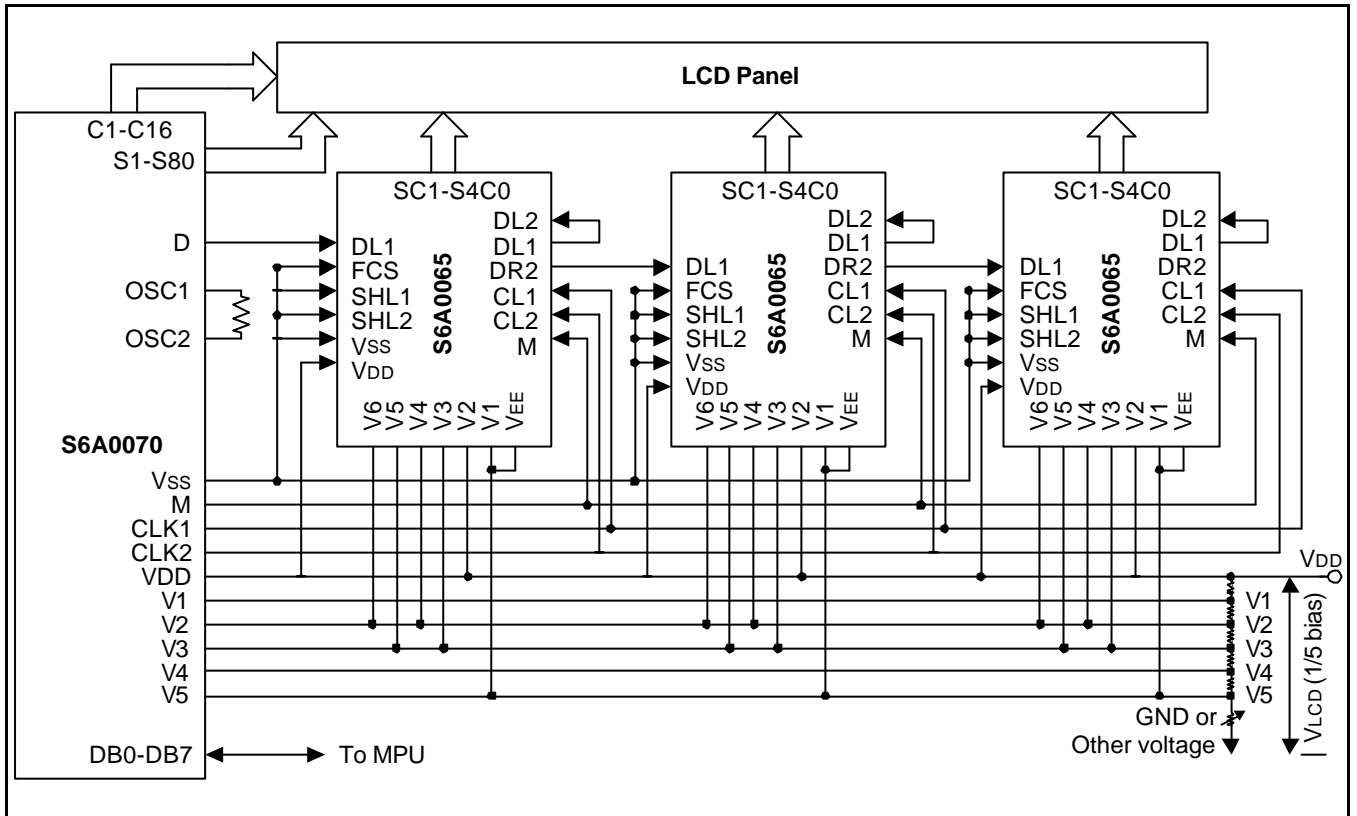


LCD Panel: 4 character \times 2-line character format: 5 \times 7 dots + 1-cursor line (1/4 bias, 1/8 duty)



APPLICATION CIRCUIT

Figure 10. S6A0070 Application Circuit



NOTE: When S6A0065 is externally connected to the S6A0070, you can increase the number of display digits up to 80 characters.

BIAS VOLTAGE DIVIDE CIRCUIT

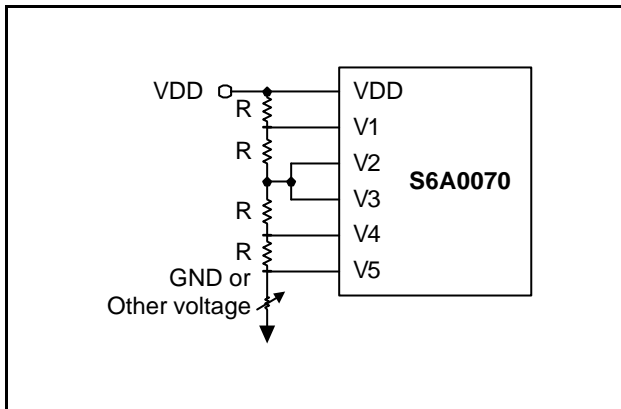


Figure 11. 1/4 bias, 1/8 or 1/11 duty

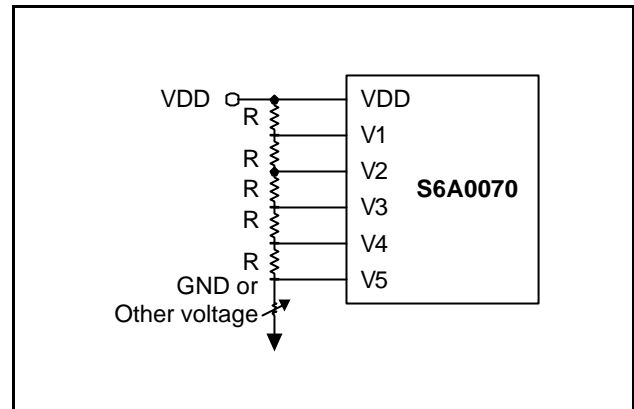


Figure 12. 1/5 bias, 1/16 duty

INITIALIZING

When the power is turned on, S6A0070 is initialized automatically by power on reset circuit.

During the initialization, the following instructions are executed, and BF(Busy Flag) is kept "High"(busy state) to the end of initialization.

- (1) Display Clear instruction: Write "20H" to all DDRAM
- (2) Set Functions instruction
 - DL = 1 : 8-bit bus mode
 - N = 1 : 2-line display mode
 - F = 0 : 5 x 7 font type
- (3) Control Display ON/OFF instruction
 - D = 0 : Display OFF
 - C = 0 : Cursor OFF
 - B = 0 : Blink OFF
- (4) Set Entry Mode instruction
 - I/D = 1 : Increment by 1
 - SH = 0 : No entire display shift

FRAME FREQUENCY

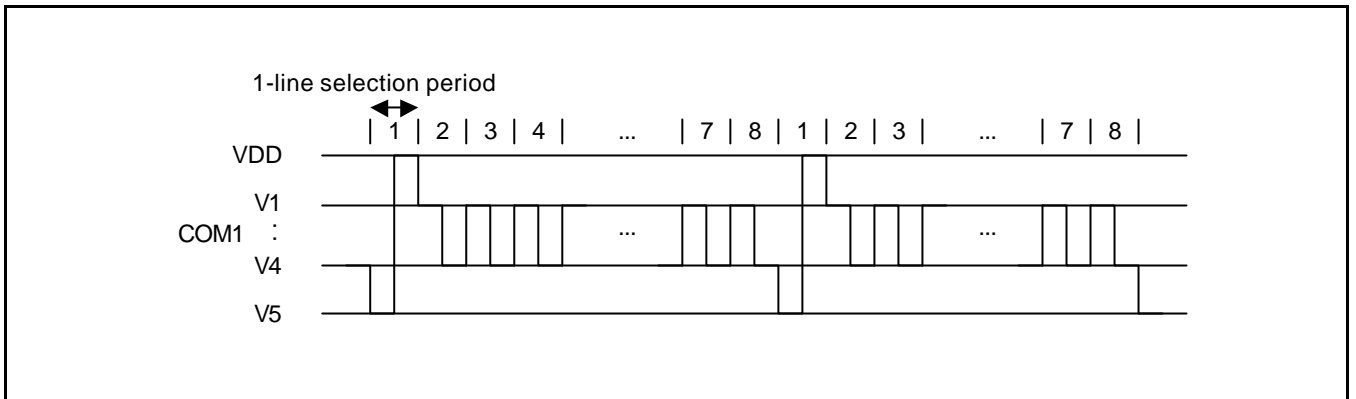


Figure 13. 1/8 Duty Cycle (A-Type Waveform)

Item	Clock/Frequency
Line Selection Period	400 clocks
Frame Frequency	84.4Hz

NOTE: $f_{OSC} = 270kHz$ (1 clock = $3.7\mu s$)

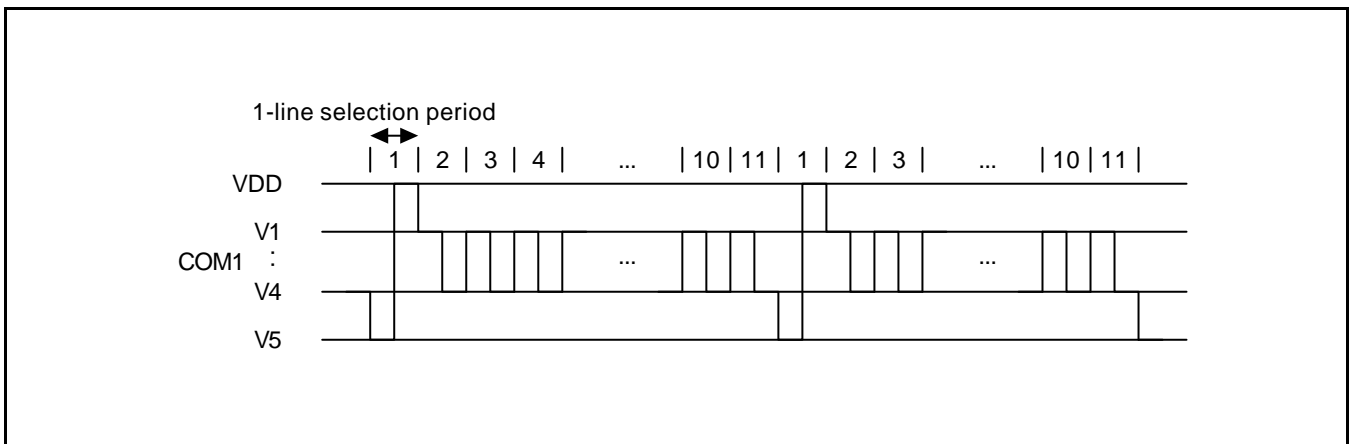


Figure 14. 1/11 Duty Cycle (A-Type Waveform)

Item	Clock/Frequency
Line Selection Period	400 clocks
Frame Frequency	61.4Hz

NOTE: $f_{OSC} = 270kHz$ (1 clock = $3.7\mu s$)

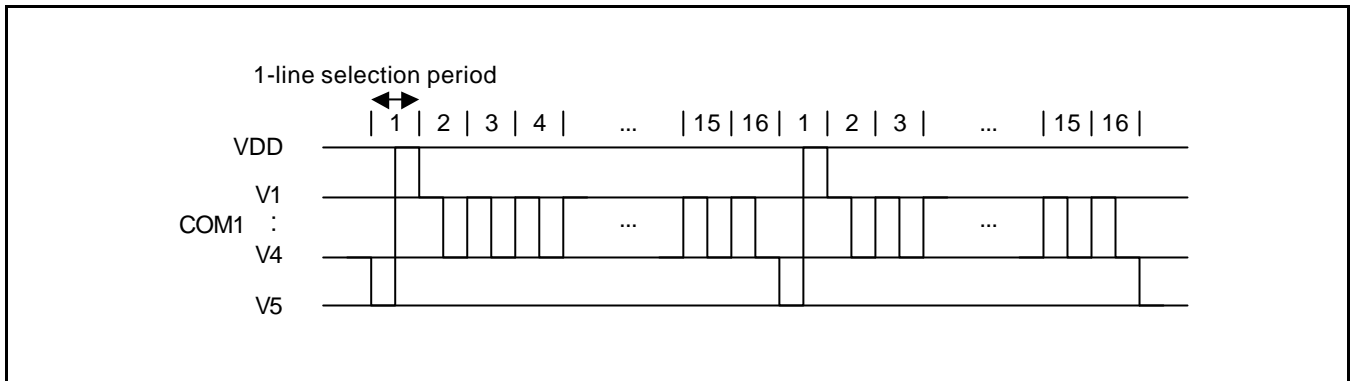


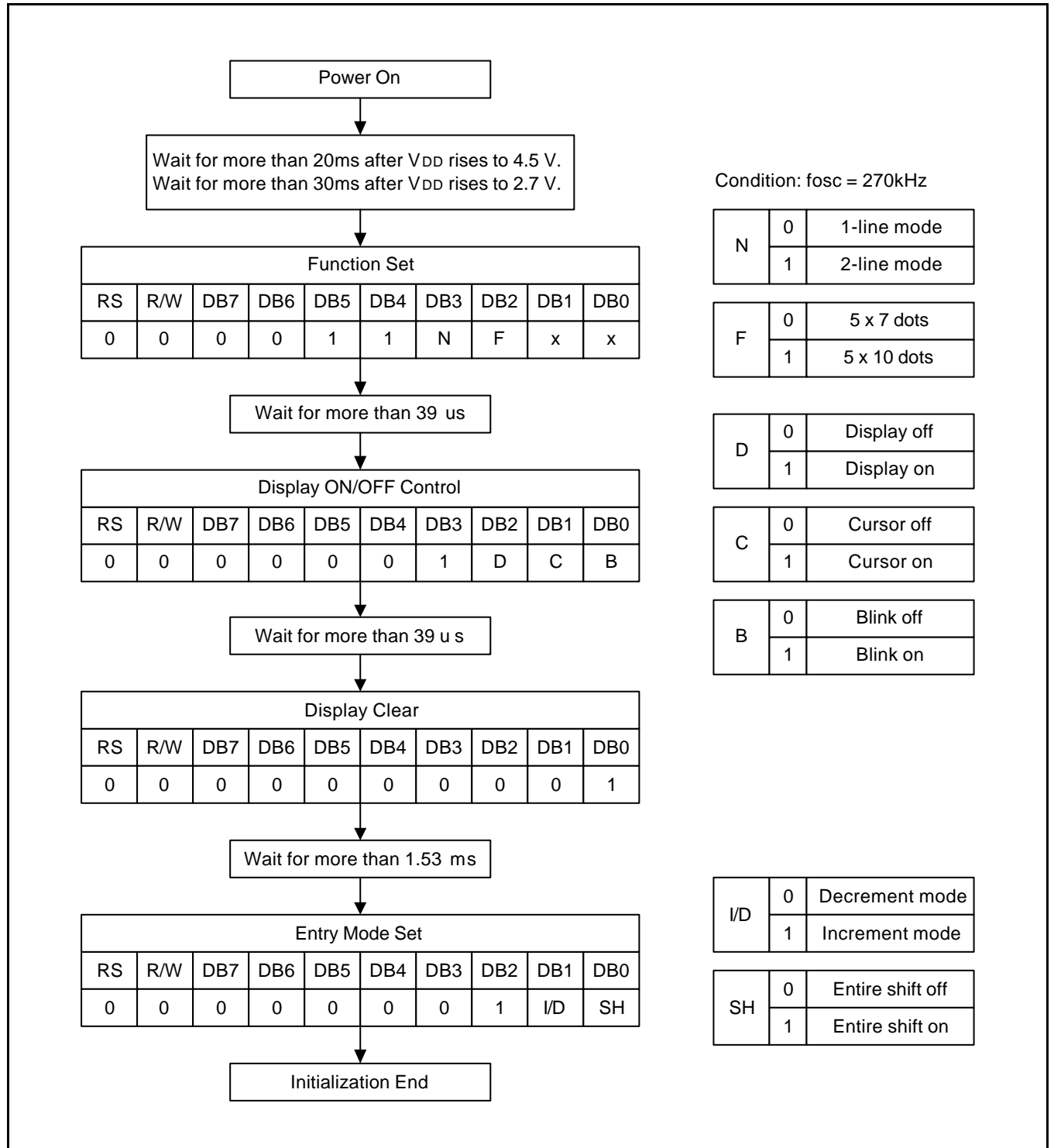
Figure 15. 1/16 Duty Cycle (A-Type Waveform)

Item	Clock/Frequency
Line Selection Period	200 clocks
Frame Frequency	84.4Hz

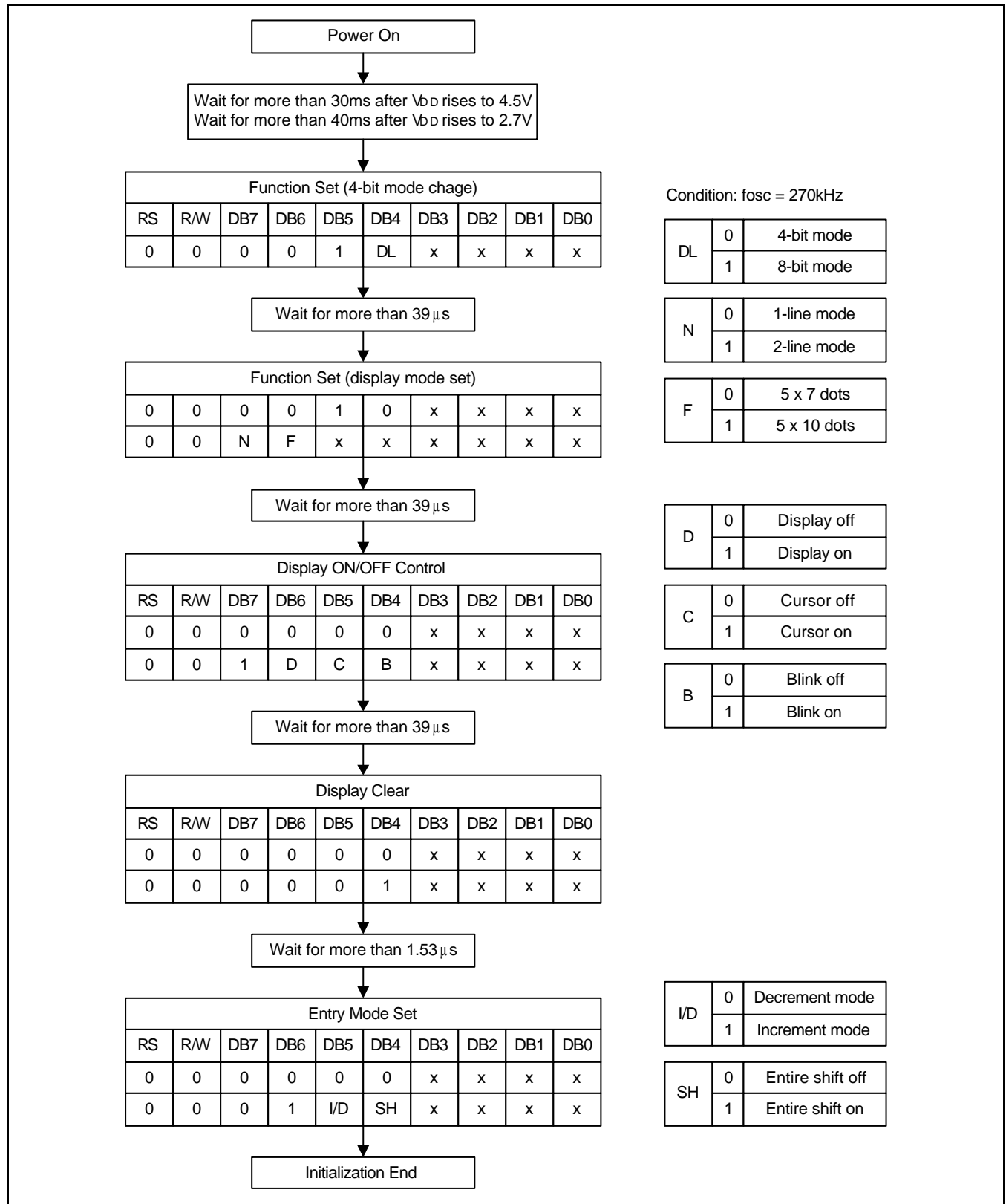
NOTE: $f_{OSC} = 270\text{kHz}$ (1 clock = $3.7\mu\text{s}$)

INITIALIZING BY INSTRUCTION

8-bit Interface Mode



4-bit Interface Mode



EXAMPLE OF INSTRUCTION AND DISPLAY CORRESPONDENCE

	RS	R/W	DB7	DB6	DB5	DB4	DB3	DB2	DB1	DB0	
1. Power supply on: Initialized by the internal power on reset circuit											LCD DISPLAY
											[]
2. Function Set: 8-bit, 2-line, 5 x 7 dot											[]
	0	0	0	0	1	1	1	0	X	X	[]
3. Display ON/OFF Control: Display/Cursor on/blink off											[]
	0	0	0	0	0	0	1	1	1	0	[]
4. Entry Mode Set: Increment											[]
	0	0	0	0	0	0	0	1	1	0	[]
5. Write Data to DDRAM: Write S											[S_]
	1	0	0	1	0	1	0	0	1	1	[S_]
6. Write Data to DDRAM: Write A											[SA_]
	1	0	0	1	0	0	0	0	0	1	[SA_]
7. Write Data to DDRAM: Write M											[SAM_]
	1	0	0	1	0	0	1	1	0	1	[SAM_]
8. Write Data to DDRAM: Write S											[SAMS_]
	1	0	0	1	0	1	0	0	1	1	[SAMS_]

9. Write Data to DDRAM: Write U

RS	R/W	DB7	DB6	DB5	DB4	DB3	DB2	DB1	DB0
1	0	0	1	0	1	0	1	0	1

LCD DISPLAY

SAMSU_

10. Write Data to DDRAM: Write N

RS	R/W	DB7	DB6	DB5	DB4	DB3	DB2	DB1	DB0
1	0	0	1	0	0	1	1	1	0

SAMSUN_

11. Write Data to DDRAM: Write G

RS	R/W	DB7	DB6	DB5	DB4	DB3	DB2	DB1	DB0
1	0	0	1	0	0	0	1	1	1

SAMSUNG_

12. Set DDRAM Address: 40H

RS	R/W	DB7	DB6	DB5	DB4	DB3	DB2	DB1	DB0
0	0	1	1	0	0	0	0	0	0

SAMUNG
_

13. Write Data to DDRAM: Write S

RS	R/W	DB7	DB6	DB5	DB4	DB3	DB2	DB1	DB0
1	0	0	1	0	1	0	0	1	1

SAMUNG
S_

14. Write Data to DDRAM: Write 6

RS	R/W	DB7	DB6	DB5	DB4	DB3	DB2	DB1	DB0
1	0	0	0	1	1	0	1	1	0

SAMSUNG
S6_

15. Write Data to DDRAM: Write A

RS	R/W	DB7	DB6	DB5	DB4	DB3	DB2	DB1	DB0
1	0	0	1	0	0	0	0	0	1

SAMSUNG
S6A_

16. Write Data to DDRAM: Write 0

RS	R/W	DB7	DB6	DB5	DB4	DB3	DB2	DB1	DB0
1	0	0	0	1	1	0	0	0	0

SAMSUNG
S6A0_

17. Write Data to DDRAM: Write 0

RS	R/W	DB7	DB6	DB5	DB4	DB3	DB2	DB1	DB0
1	0	0	0	1	1	0	0	0	0

SAMSUNG
S6A00_

										LCD DISPLAY
18. Write Data to DDRAM: Write 7										SAMUNG S6A007_
RS	R/W	DB7	DB6	DB5	DB4	DB3	DB2	DB1	DB0	
1	0	0	0	1	1	0	1	1	1	
19. Write Data to DDRAM: Write 2										SAMUNG S6A0072_
RS	R/W	DB7	DB6	DB5	DB4	DB3	DB2	DB1	DB0	
1	0	0	0	1	1	0	0	1	0	
20. Cursor or Display Shift: Cursor shift left										SAMUNG S6A0072
RS	R/W	DB7	DB6	DB5	DB4	DB3	DB2	DB1	DB0	
0	0	0	0	0	1	0	0	x	x	
21. Write Data to DDRAM: Write 0										SAMUNG S6A0070_
RS	R/W	DB7	DB6	DB5	DB4	DB3	DB2	DB1	DB0	
1	0	0	0	1	1	0	0	0	0	
22. Entry Mode Set: Entire shift Enable										SAMUNG S6A0070_
RS	R/W	DB7	DB6	DB5	DB4	DB3	DB2	DB1	DB0	
0	0	0	0	0	0	0	1	1	1	
23. Write Data to DDRAM: Write B										SAMUNG S6A0070B_
RS	R/W	DB7	DB6	DB5	DB4	DB3	DB2	DB1	DB0	
1	0	0	1	0	0	0	0	1	0	
24. Return Home										SAMUNG S6A0070B
RS	R/W	DB7	DB6	DB5	DB4	DB3	DB2	DB1	DB0	
0	0	0	0	0	0	0	0	1	x	
25. Clear Display										-
RS	R/W	DB7	DB6	DB5	DB4	DB3	DB2	DB1	DB0	
0	0	0	0	0	0	0	0	0	1	



MAXIMUM ABSOLUTE LIMIT

Item	Symbol	Unit	Value
Power Supply Voltage	V_{DD}	V	-0.3 to + 7.0
Power Supply Voltage	V_{LCD}	V	$V_{DD} - 15$ to $V_{DD} + 0.3$
Input Voltage	V_{IN}	V	-0.3 to $V_{DD} + 0.3$

NOTE: Voltage greater than above may damage the circuit ($V_{DD} \geq V1 \geq V2 \geq V3 \geq V4 \geq V5$)

Temperature Characteristics

Item	Symbol	Unit	Value
Operating Temperature	T_{OPR}	°C	- 30 to + 85
Storage Temperature	T_{STG}	°C	- 55 to + 125

ELECTRICAL CHARACTERISTICS

DC Characteristics

($V_{DD} = 4.5V$ to $5.5V$, $T_A = -30$ to $+85^\circ C$)

Item	Symbol	Condition	Min	Typ	Max	Unit
Operating Voltage	V_{DD}	–	4.5	–	5.5	V
Supply Current	I_{DD1}	ceramic resonator $f_{OSC} = 250kHz$	–	0.7	1.0	mA
	I_{DD2}	Resistor oscillation external clock operation $f_{OSC} = 270kHz$	–	0.4	0.6	mA
Input Voltage (1) (except OSC1)	V_{IH1}	–	2.2	–	V_{DD}	V
	V_{IL1}	–	-0.3	–	0.6	V
Input Voltage (2) (except OSC1)	V_{IH2}	–	$V_{DD}-1.0$	–	V_{DD}	V
	V_{IL2}	–	-0.2	–	1.0	V
Output Voltage (1) (DB0 to DB7)	V_{OH1}	$I_{OH} = -0.205mA$	2.4	–	–	V
	V_{OL1}	$I_{OL} = 1.2mA$	–	–	0.4	V
Output Voltage (2) (except DB0 to DB7)	V_{OH2}	$I_O = -40\mu A$	$0.9V_{DD}$	–	–	V
	V_{OL2}	$I_O = 40\mu A$	–	–	$0.1V_{DD}$	V
Voltage Drop	V_{dCOM}	$I_O = \pm 0.1mA$	–	–	1	V
	V_{dSEG}	$I_O = \pm 0.1mA$	–	–	1	V
Input Leakage Current	I_{IL}	$V_{IN} = 0V$ to V_{DD}	-1	–	1	μA
Low Input Current	I_{IN}	$V_{IN} = 0V$, $V_{DD} = 5V$ (pull-up)	-50	-125	-250	μA
Internal Clock (external Rf)	f_{IC}	$R_f = 91k\Omega \pm 2\%$ ($V_{DD} = 5V$)	190	270	350	kHz
External Clock	f_{EC}	–	150	250	350	kHz
	duty	–	45	50	55	%
	f_R , t_F	–	–	–	0.2	μs
LCD Driving Voltage	V_{LCD}	$V_{DD}-5V$ (1/5, 1/4 bias)	4.6	–	10.0	V

($V_{DD} = 2.7V$ to $4.5V$, $T_A = -30$ to $+85^\circ C$)

Item	Symbol	Condition	Min	Typ	Max	Unit
Operating Voltage	V_{DD}	–	2.7	–	4.5	V
Supply Current	I_{DD1}	ceramic resonator $f_{OSC} = 250kHz$	–	0.3	0.5	mA
	I_{DD2}	Resistor oscillation external clock operation $f_{OSC} = 270kHz$	–	0.17	0.3	mA
Input Voltage (1) (except OSC1)	V_{IH1}	–	$0.7V_{DD}$	–	V_{DD}	V
	V_{IL1}	–	-0.3	–	0.4	V
Input Voltage (2) (except OSC1)	V_{IH2}	–	$0.7V_{DD}$	–	V_{DD}	V
	V_{IL2}	–	–	–	$0.2V_{DD}$	V
Output Voltage (1) (DB0 to DB7)	V_{OH1}	$I_{OH} = -0.1mA$	2.0	–	–	V
	V_{OL1}	$I_{OL} = 0.1mA$	–	–	0.4	V
Output Voltage (2) (except DB0 to DB7)	V_{OH2}	$I_O = -40\mu A$	$0.8V_{DD}$	–	–	V
	V_{OL2}	$I_O = 40\mu A$	–	–	$0.2V_{DD}$	V
Voltage Drop	V_{dCOM}	$I_O = \pm 0.1mA$	–	–	1	V
	V_{dSEG}	$I_O = \pm 0.1mA$	–	–	1.5	V
Input Leakage Current	I_{IL}	$V_{IN} = 0V$ to V_{DD}	-1	–	1	μA
Low Input Current	I_{IN}	$V_{IN} = 0V$, $V_{DD} = 5V$ (pull-up)	-10	-50	-120	μA
Internal Clock (external Rf)	f_{IC}	$R_f = 75k\Omega \pm 2\%$ ($V_{DD} = 3V$)	190	250	350	kHz
External Clock	f_{EC}	–	125	270	350	kHz
	duty		45	50	55	%
	f_R , t_F		–	–	0.2	μs
LCD Driving Voltage ^(note)	V_{LCD}	$V_{DD} - V_5$ (1/5, 1/4 bias)	3.0	–	10.0	V

NOTE: LCD Driving Voltage.

LCD Driving Voltage

Power	Duty	1/8, 1/11 Duty	1/16 Duty
	Bias	1/4 Bias	1/5 Bias
V_{DD}		V_{DD}	V_{DD}
V1		$V_{DD} - V_{LCD}/4$	$V_{DD} - V_{LCD}/5$
V2		$V_{DD} - V_{LCD}/2$	$V_{DD} - 2V_{LCD}/5$
V3		$V_{DD} - V_{LCD}/2$	$V_{DD} - 3V_{LCD}/5$
V4		$V_{DD} - 3V_{LCD}/4$	$V_{DD} - 4V_{LCD}/5$

V5	$V_{DD} - V_{LCD}$	$V_{DD} - V_{LCD}$
----	--------------------	--------------------

AC Characteristics(V_{DD} = 4.5 to 5.5V, T_a = -30 to +85°C)

Mode	Item	Symbol	Min	Typ	Max	Unit
Write Mode (Refer to Figure 6)	E Cycle Time	t _C	500	–	–	ns
	E Rise/Fall Time	t _R , t _F	–	–	25	
	E Pulse Width (High, Low)	t _W	220	–	–	
	R/W and RS Setup Time	t _{SU1}	40	–	–	
	R/W and RS Hold Time	t _{H1}	10	–	–	
	Data Setup Time	t _{SU2}	60	–	–	
	Data Hold Time	t _{H2}	10	–	–	
Read mode (Refer to Figure 7)	E Cycle Time	t _C	500	–	–	ns
	E Rise/Fall Time	t _R , t _F	–	–	25	
	E Pulse Width (High, Low)	t _W	220	–	–	
	R/W and RS Setup Time	t _{SU}	40	–	–	
	R/W and RS Hold Time	t _H	10	–	–	
	Data Output Delay Time	t _D	–	–	120	
	Data Hold Time	t _{DH}	20	–	–	

(V_{DD} = 2.7 to 4.5V, T_A = -30 to +85°C)

Mode	Item	Symbol	Min	Typ	Max	Unit
Write Mode (Refer to Figure 6)	E Cycle Time	t _C	1400	–	–	ns
	E Rise/Fall Time	t _R , t _F	–	–	25	
	E Pulse Width (High, Low)	t _W	400	–	–	
	R/W and RS Setup Time	t _{SU1}	60	–	–	
	R/W and RS Hold Time	t _{H1}	20	–	–	
	Data Setup Time	t _{SU2}	140	–	–	
	Data Hold Time	t _{H2}	10	–	–	
Read mode (Refer to Figure 7)	E Cycle Time	t _C	1400	–	–	ns
	E Rise/Fall Time	t _R , t _F	–	–	25	
	E Pulse Width (High, Low)	t _W	400	–	–	
	R/W and RS Setup Time	t _{SU}	60	–	–	
	R/W and RS Hold Time	t _H	20	–	–	

Data Output Delay Time	t_D	–	–	360
Data Hold Time	t_{DH}	5	–	–

Mode	Item	Symbol	Min	Typ	Max	Unit
Interface Mode with Extension Driver (Refer to Figure 8)	Clock Pulse Width (High, Low)	t_W	800	-	-	ns
	Clock Rise/Fall Time	t_R, t_F	-	-	100	ns
	Clock Setup Time	t_{SU1}	500	-	-	ns
	Data Setup Time	t_{SU2}	300	-	-	ns
	Data Hold Time	t_{DH}	300	-	-	ns
	M Delay Time	t_{DW}	-1000	-	1000	ns

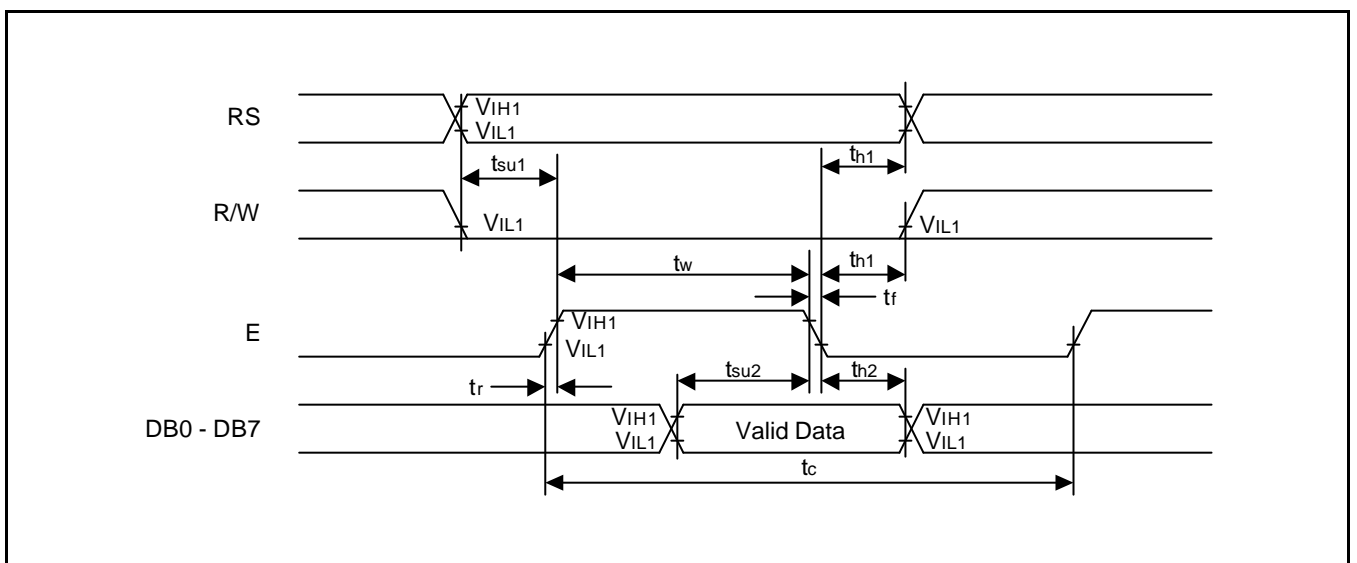


Figure 16. Write Mode Timing Diagram

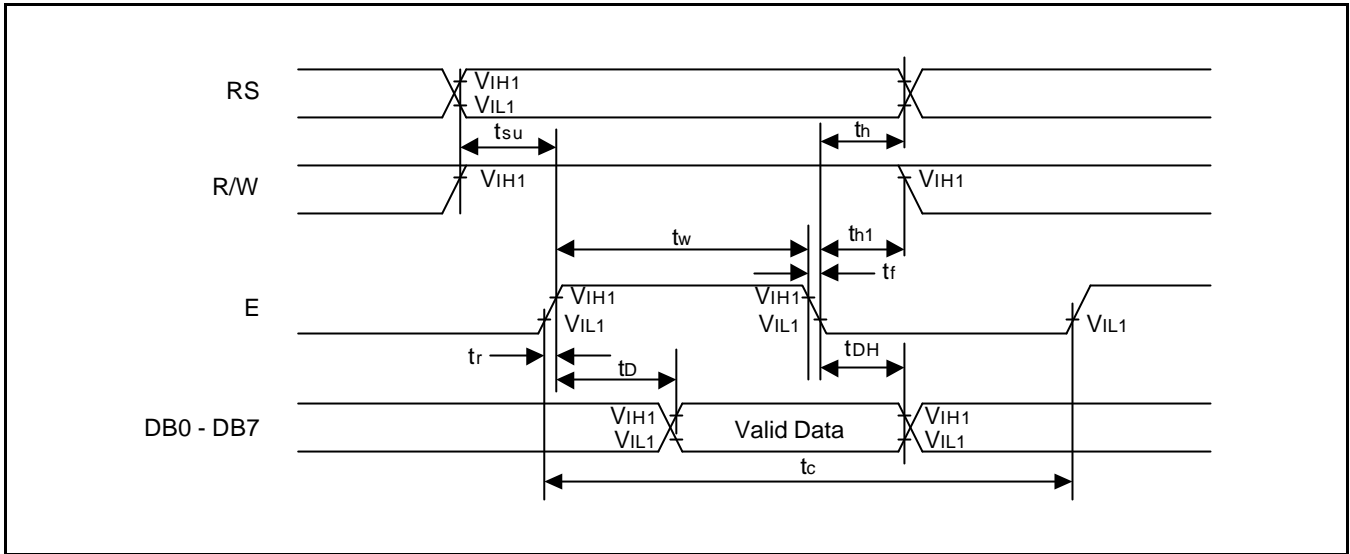


Figure 17. Read Mode Timing Diagram

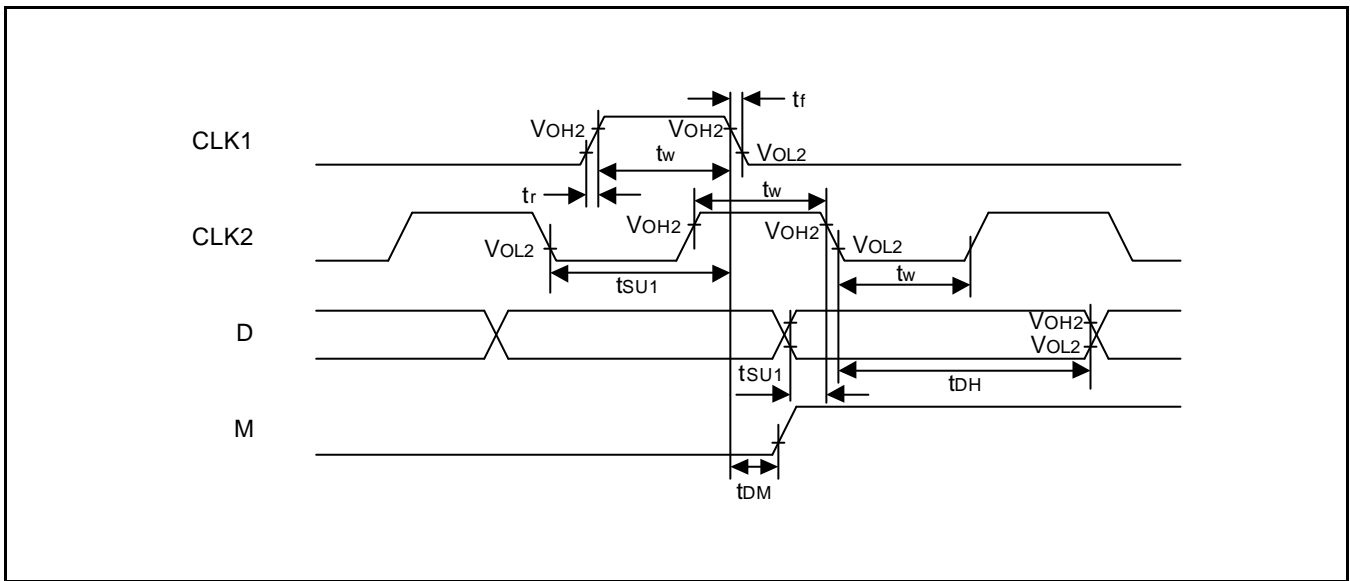


Figure 18. Interface Mode with Extension Driver Timing Diagram