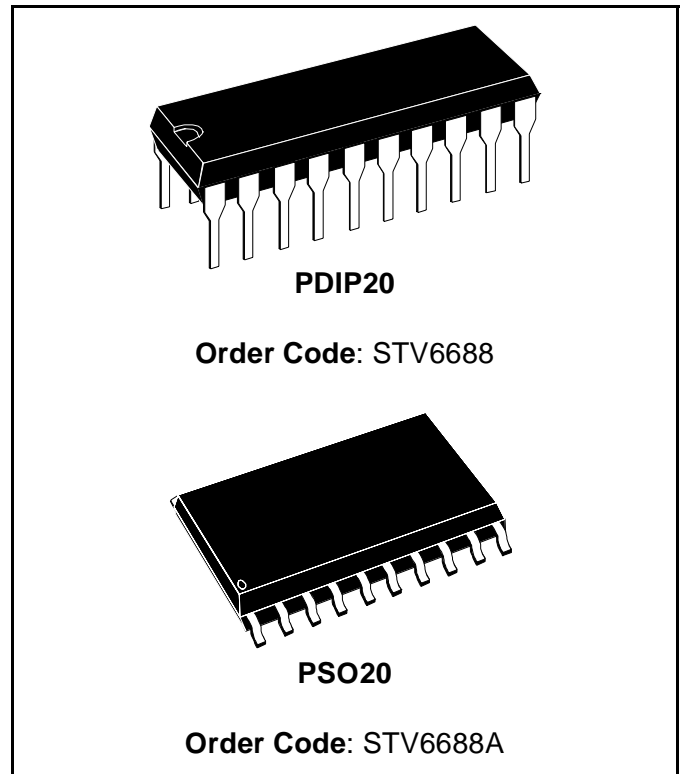


Video Switch Matrix for TV Applications with S Terminal

PRODUCT PREVIEW

Key Features

- I²C Bus Control
- Standby Mode
- 4 Y/CVBS Inputs (one for internal TV signal)
- 4 C Inputs (one for internal TV signal)
- 1 Y/C Adder
- 1 Y/CVBS and 1 C Output, each with 0 dB gain
- 1 CVBS Output with 6 dB gain and 150 Ω Buffer for Monitor
- SYNC Bottom Clamp on all CVBS/Y and Average Bias on C Inputs
- Bandwidth: 15 MHz
- Crosstalk: 50 dB (min.)

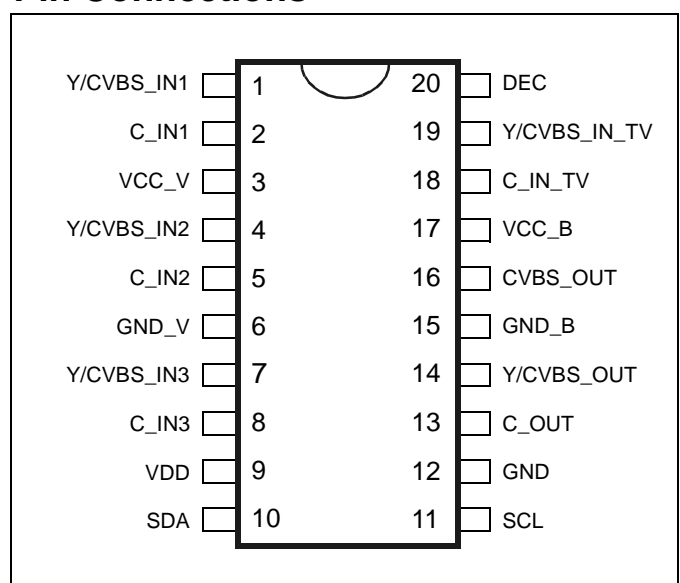


General Description

The STV6688 is a highly-integrated I²C bus-controlled video switch matrix, optimized for use in color TV applications.

It is used to control the switching of 4 video signals. These signals can be in Single Component form (CVBS) or in Two Component form (Y/C). In both cases, the STV6688 microcontroller provides a CVBS signal for an external device (monitor).

Pin Connections

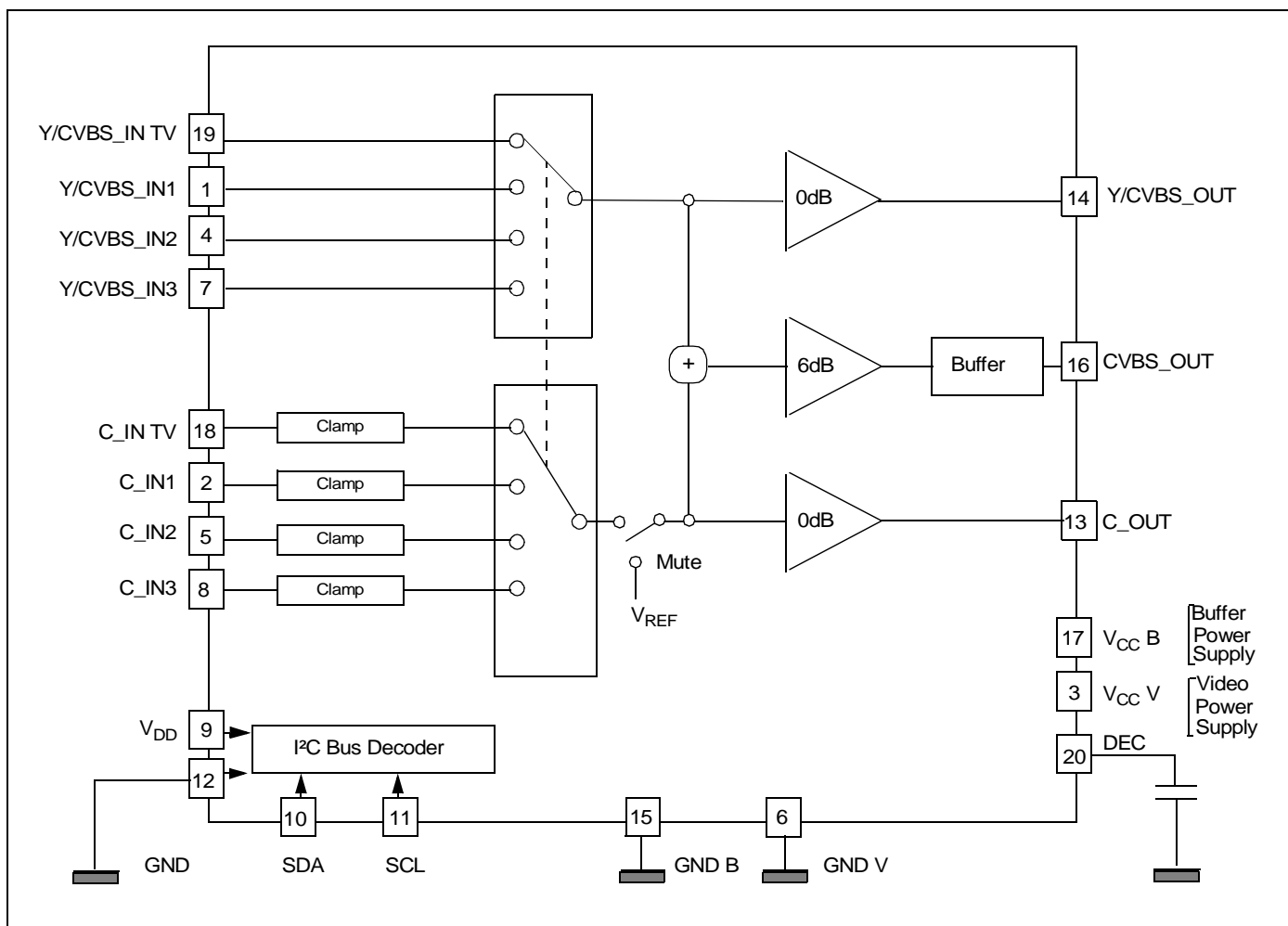


1 Functional Description

Table 1: Pin List

Pin	Symbol	Description	Pin	Symbol	Description
1	Y/CVBS_IN1	Y or CVBS Signal of Ext. Input 1	11	SCL	Serial Clock Line Input
2	C_IN1	C Signal of Ext. Input 1	12	GND	Digital Parts Ground
3	VCC_V	Video Switch Power Supply	13	C_OUT	C Signal Output
4	Y/CVBS_IN2	Y or CVBS Signal of Ext. Input 2	14	Y/CVBS_OUT	Y/CVBS Output
5	C_IN2	C Signal of Ext. Input 2	15	GND_B	Buffer Ground
6	GND_V	Video Switch Ground	16	CVBS_OUT	Y and C Adder Output
7	Y/CVBS_IN3	Y or CVBS Signal of Ext. Input 3	17	VCC B	Buffer Power Supply
8	C_IN3	C Signal of Ext. Input 3	18	C_IN_TV	C Signal of TV Input
9	VDD	Digital Parts Power Supply	19	Y/CVBS_IN_TV	Y or CVBS Signal of TV Input
10	SDA	Serial Data Line Input	20	DEC	Decoupling

Figure 1: STV6688 Block Diagram



2 Electrical Characteristics

$T_{AMB} = 25^{\circ}\text{C}$, $V_{CCV} = V_{CCB} = V_{DD} = 5\text{V}$, $R_{LoadYC} = 4.7\text{ k}\Omega$, $R_{LoadCVBS} = 150\ \Omega$, unless otherwise specified.

Symbol	Parameter	Test Conditions	Min.	Typ.	Max.	Unit
V_{DD}	Digital Supply Voltage		4.5	5	5.5	V
V_{CC}	Video Operating Supply Voltage		4.5	5	5.5	V
V_{CCB}	Buffer Supply Voltage		4.5	5	5.5	V
Active (Channels ON)						
I_{DD}	Digital Supply Current	$V_{DD} = 5\text{ V}$		3		mA
I_{CCV}	Total Video Supply Current (V_{CC}, V_{CCB})	$V_{CC} = 5\text{ V}$, No load $V_{CCV} = V_{CCB} = 5\text{V}$, with loads and signals		13 25		mA
Standby (All Channels OFF)						
I_{DD}	Digital Supply Current	$V_{DD} = 5\text{ V}$		3		mA
I_{CCVstd}	Total Video Supply Current	$V_{CC} = 5\text{ V}$		0.3		mA

2.1 Thermal Data

Symbol	Parameter	Package	Value	Unit
R_{thJA}	Maximum Junction-to-Ambient Thermal Resistance	DIP20 (STV6688)	80	$^{\circ}\text{C}/\text{W}$
		SO20 (STV6688A)	100	$^{\circ}\text{C}/\text{W}$

2.2 Y/CVBS Section

$T_{AMB} = 25^{\circ}\text{C}$, $V_{CCV} = V_{CCB} = V_{DD} = 5\text{V}$, $R_{LoadYC} = 4.7\text{ k}\Omega$, $R_{LoadCVBS} = 150\ \Omega$, unless otherwise specified.

Symbol	Parameter	Test Conditions	Min.	Typ.	Max.	Unit
V_{DCIN}	DC Input Level	Bottom Sync pulse		2		V
I_{CLAMP}	Clamping Current	at $V_{DCIN} - 400\text{ mV}$	1	2		mA
I_{LEAK}	Input Leakage Current	$V_{IN} = V_{DCIN} + 1\text{ V}$		1	10	μA
C_{IN}	Input Capacitance			2		pF
V_{IN}	Max Input Signal	$V_{CC} = 5\text{ V}$			1.5	V_{PP}
DYNY	Dynamic Y/CVBS Output Signal	$V_{CC} = 5\text{ V}$			1.5	V_{PP}
DYNCVBS	Dynamic CVBS Output Signal	$V_{CC} = 5\text{ V}$			3	V_{PP}
BW	Bandwidth at -3 dB Y/CVBS Y/C Mixer (on CVBS_OUT)	$V_{IN} = 1\text{ V}_{PP}$ $V_{IN} = 1\text{ V}_{PP}$	12 8	15 10		MHz

Symbol	Parameter	Test Conditions	Min.	Typ.	Max.	Unit
Flatness	Spread of Gain in Video Band (15 kHz-5 MHz) Y/CVBS Y/C Mixer (on CVBS_OUT)	$V_{IN} = 1 V_{PP}$ $V_{IN} = 1 V_{PP}$		± 0.2 ± 0.5	± 0.5 ± 1.0	dB
CTi	Crosstalk Isolation between Y/CVBS Input Channels	$V_{IN} = 1 V_{PP}$ at $f = 4.43$ MHz, on one point.	55	60		dB
CTo	Crosstalk Isolation of Y/CVBS from C Channels	$V_{IN} = 1 V_{PP}$ at $f = 4.43$ MHz, on one point.	50	55		dB
GYCVBS	Gain at Y/CVBS out @1 MHz	$V_{IN} = 1 V_{PP}$	-0.5	0	+0.5	dB
GCVBS	Gain at CVBS out @1 MHz	$V_{IN} = 1 V_{PP}$	5.5	6	6.5	dB
R _{OUTY}	Y/CVBS Output Resistance			2.5	5.0	Ω
R _{OUTCVBS}	CVBS Output Resistance			1	5	Ω
G _{YCVBSM}	Gain matching between Y, CVBS inputs	$V_{IN} = 1 V_{PP}$	-0.5	0	+0.5	dB
DC _{OUTCVBS}	DC CVBS Output voltage	Bottom sync pulse		0.8		V
DC _{OUTY}	DC Y Output voltage	Bottom sync pulse for Y		1.3		V
DPHI	Differential Phase	$V_{IN} = 1 V_{PP}$ at $f = 4.43$ MHz		1	3	deg
DG	Differential Gain	$V_{IN} = 1 V_{PP}$ at $f = 4.43$ MHz		1	5	%
LNL	Luminance non-linearity			0.6	3	%
VSN	Video S/N ratio	Refer to Note 1	65			dB

Note: 1 $S/N = 20 \log (V_{OUT} \text{ Black to White} = 0.7 V_{PP} / V_{Noise} (mV_{RMS}) \text{ weighted CCIR567})$.

2.3 Chroma Section

$T_{AMB} = 25^{\circ}\text{C}$, $V_{CCV} = V_{CCB} = V_{DD} = 5\text{V}$, $R_{LoadYC} = 4.7 \text{ k}\Omega$, $R_{LoadCVBS} = 150 \Omega$, unless otherwise specified.

Symbol	Parameter	Test Conditions	Min.	Typ.	Max.	Unit
V _{DCIN}	DC Input Level			3		V
R _{IN}	Input Resistance		30	50		k Ω
C _{IN}	Input Capacitance			2		pF
V _{IN}	Max Input Signal				1.5	V _{PP}
DYN	Dynamic Output Signal				1.5	V _{PP}
CBW	Chroma Bandwidth	$C_{IN} = 1 V_{PP}$	10	12		MHz
CTi	Crosstalk Isolation between C Input Channels	$C_{IN} = 0.5 V_{PP}$ at $f = 4.43$ MHz, on one point.	55	60		dB
CTo	Crosstalk Isolation of C from Y Channels	$V_{IN} = 1 V_{PP}$ at $f = 4.43$ MHz, on one point.	50	55		dB
R _{OUT}	Output Resistance			2.5	5.0	Ω
G _{OUTC}	Gain at C_OUT @4.43 MHz	$V_{IN} = 1 V_{PP}$	-0.5	0	+0.5	dB
DC _{OUTC}	DC Output voltage			2.2		V

Symbol	Parameter	Test Conditions	Min.	Typ.	Max.	Unit
G_{CM}	Gain matching between C inputs	$V_{IN} = 1 V_{PP}$	-0.5	0	+0.5	dB
CToYdel	Chroma to Luma delay, Y/C source	V_{PP} @4.43 MHz		5	10	ns

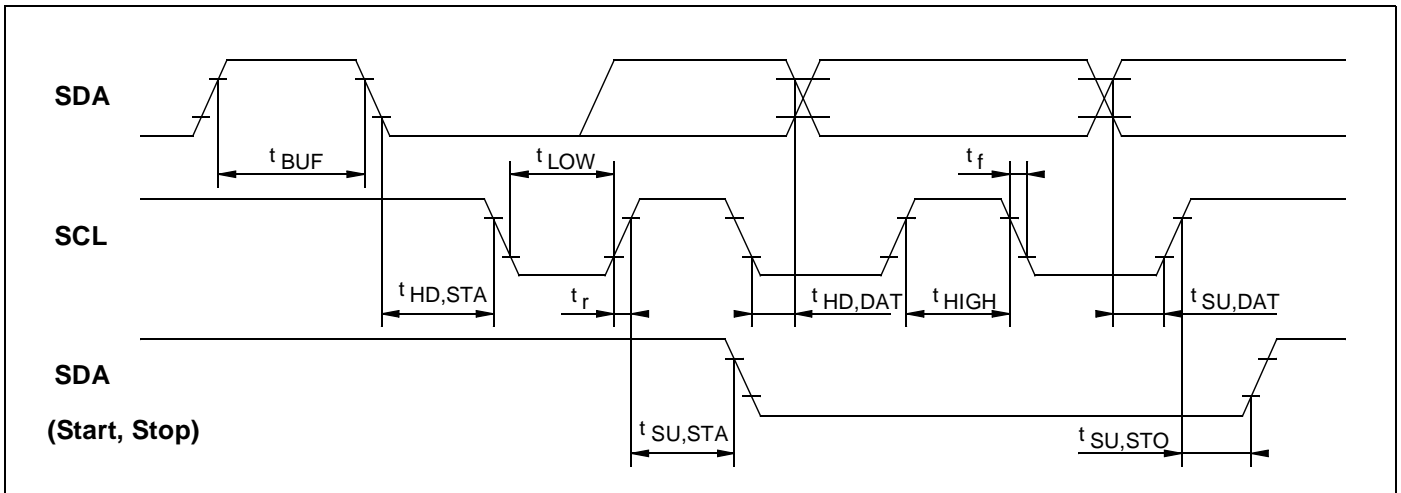
2.4 I²C Bus Characteristics

$T_{AMB} = 25^{\circ}\text{C}$, $V_{CCV} = V_{CCB} = V_{DD} = 5\text{V}$, $R_{LoadYC} = 4.7\text{ k}\Omega$, $R_{LoadCVBS} = 150\ \Omega$, unless otherwise specified.

Symbol	Parameter	Test Conditions	Min.	Typ.	Max.	Unit
Address Selection Input						
ADDsel_L	Address Selection Low Level			0	0.2	V
ADDsel_H	Address Selection High Level		2.5		V_{DD}	V
ILEAK	Leakage Current				10	μA
SCL						
V_{IL}	Low Level Input Voltage		-0.3		1.5	V
V_{IH}	High Level Input Voltage		3		5.5	V
I_{LI}	Input Leakage Current	$V_{IN} = 0\text{ to }5.5\text{ V}$	-10	0	10	μA
SDA						
V_{IL}	Low Level Input Voltage		-0.3		1.5	V
V_{IH}	High Level Input Voltage		3		5.5	V
I_{LI}	Input Leakage Current	$V_{IN} = 0\text{ to }5.5\text{ V}$	-10	0	10	μA
C_I	Input Capacitance				10	pF
t_R	Input Rise Time	1.5 V to 3 V			1	μs
t_F	Input Fall Time	3 V to 1.5 V			300	ns
V_{OL}	Low Level Output Voltage	$I_{OL} = 3\text{ mA}$			0.4	V
t_F	Output Fall Time	3 V to 1.5 V			250	ns
C_L	Load Capacitance				400	pF
Timing (Clock Frequency = 100 kHz, see Note 2)						
t_{LOW}	Clock Low Period		4.7			μs
t_{HIGH}	Clock High Period		4			μs
$t_{SU,DAT}$	Data Setup Time		250			ns
$t_{HD,DAT}$	Data Hold Time		0		340	ns
$t_{SU,STO}$	Setup Time from Clock High to Stop		4			μs
t_{BUF}	Start Setup Time following a Stop		4.7			μs
$t_{HD,STA}$	Start Hold Time		4			μs
$t_{SU,STA}$	Start Setup Time following Clock Low to High Transition		4.7			μs

Note: 2 The device can also operate at 400 kHz.

Figure 2: I²C Bus Timings



2.5 I²C Bus Selection

Data transfers follow the usual I²C format: after the Start condition (S), a 7-bit slave address is sent, followed by an 8-bit word which is a data direction bit (W). An 8-bit sub-address is sent to select a register, followed by an 8-bit data word to be included in the register.

The I²C Bus Decoder of the microcontroller provides the Automatic Incrementation mode in Write mode.

String Format: Write Only mode (S = Start condition, P = Stop condition, A = Acknowledge)

S	SLAVE ADDRESS: 94h	A	00h	A	DATA	A	P
---	--------------------	---	-----	---	------	---	---

Input Signals Summary: (Write Mode)

Reg.Addr. (Hex)	Data							
	D7	D6	D5	D4	D3	D2	D1	D0
	General Stand-by	Buffer Stand-by	Always set to 1					Switch Control

Input Signal: (Write Mode) Data Byte

Reg. Addr.	Description	Bits	Data								Comments
			D7	D6	D5	D4	D3	D2	D1	D0	
0x00	General Stand-by	1	0	X	1	X	X	X	X	X	All disabled
			1	X	1	X	X	X	X	X	All active
	Buffer Stand-by	1	X	0	1	X	X	X	X	X	Buffer disabled
Y/CVBS and C Selection	2		X	X	1	X	X	X	0	0	INT TV
			X	X	1	X	X	X	0	1	IN1
			X	X	1	X	X	X	1	0	IN2
			X	X	1	X	X	X	1	1	IN3

3 Input/Output Groups

Figure 3: Bottom Clamped Video Inputs (Pins 1, 4, 7 and 19)

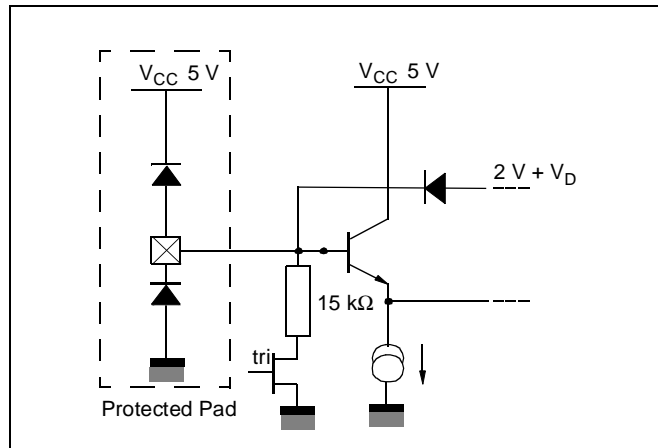


Figure 4: Average Clamped Video Inputs (Pins 2, 5, 8 and 18)

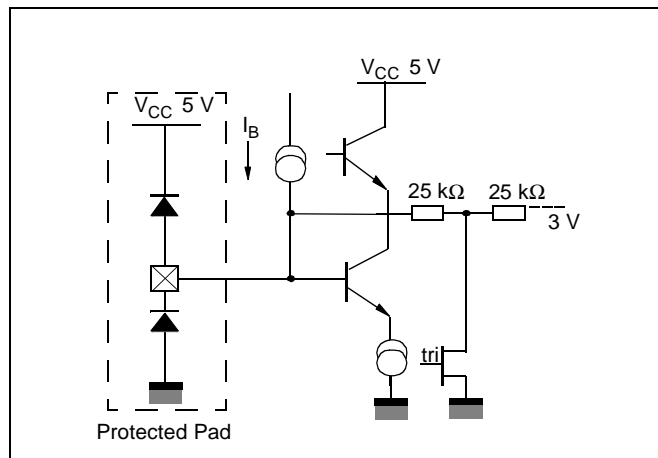


Figure 5: Video Outputs (Pins 13, 14 and 16)

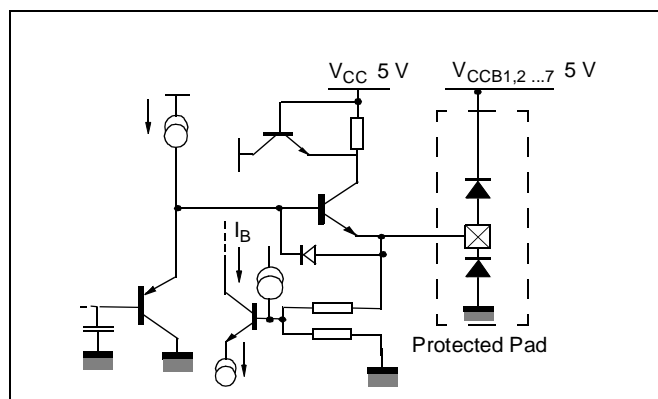
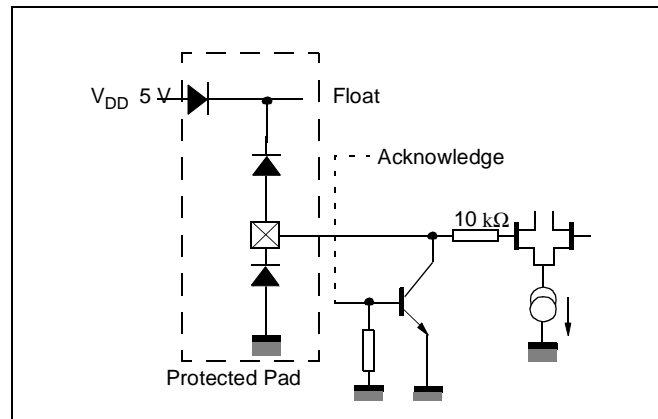
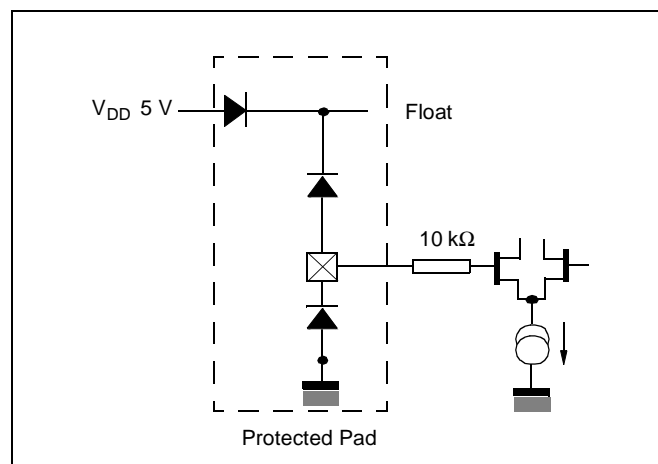
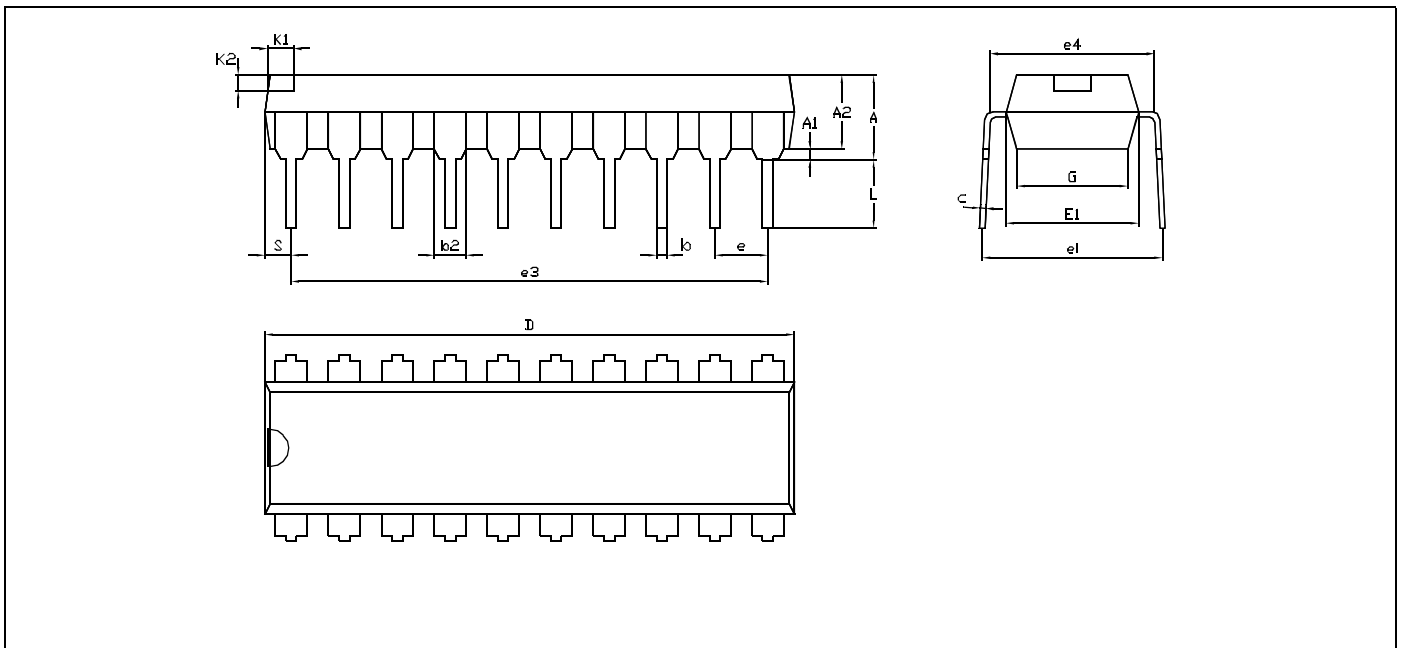


Figure 6: I²C Bus SDA (Pin 10)Figure 7: I²C Bus SCL (Pin 11)

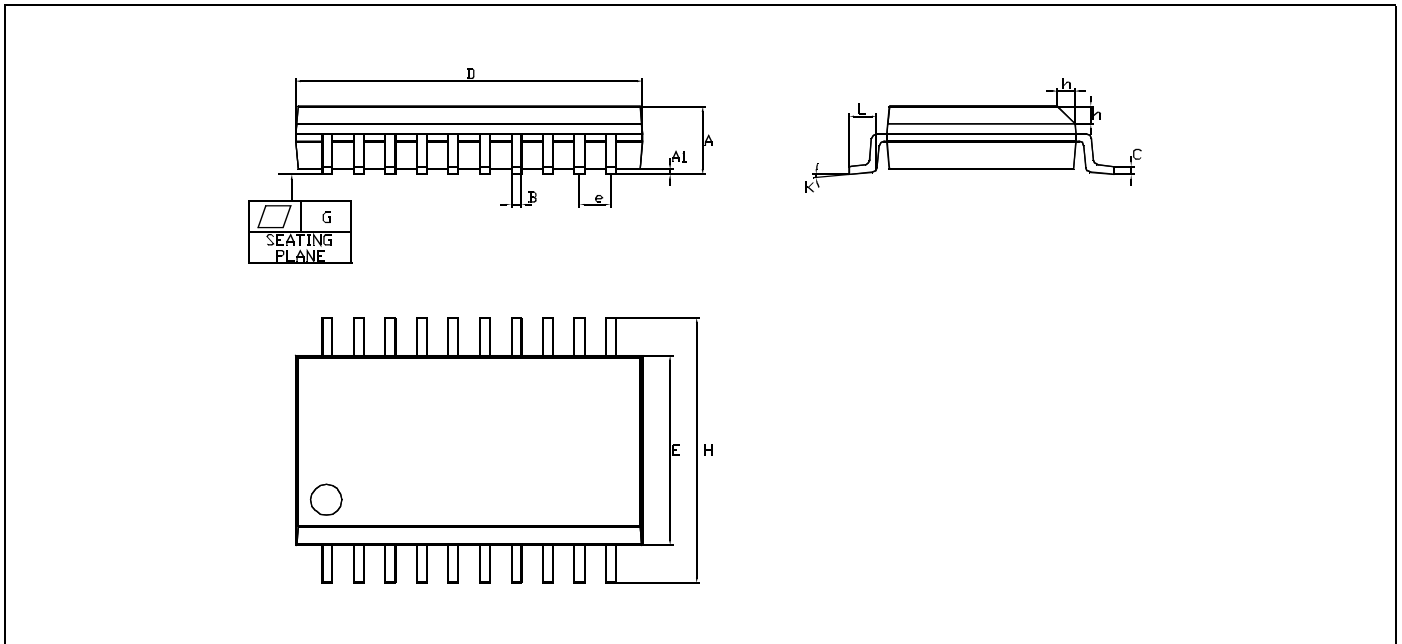
4 Package Mechanical Data

Figure 8: 20-Pin Plastic Single in Line Package (PDIP20)



Dim.	mm			Inches		
	Min.	Typ.	Max.	Min.	Typ.	Max.
A			5.33			0.210
A1	0.38			0.015		
A2	2.92	3.30	4.95	0.115	0.130	0.195
b	0.36	0.46	0.56	0.014	0.018	0.022
b2	1.14	1.52	1.78	0.045	0.060	0.070
c	0.20	0.25	0.36	0.008	0.010	0.014
D	24.89		26.92	0.980		1.060
e		2.54			0.100	
E1	6.10	6.35	7.11	0.240	0.250	0.280
L	2.92	3.30	3.81	0.115	0.130	0.150

Figure 9: 20-Pin Plastic Small Outline Package, 300-mil Width (PSO20)



Dim.	mm			Inches		
	Min.	Typ.	Max.	Min.	Typ.	Max.
A	2.35		2.65	0.0926		0.1043
A1	0.10			0.0040		
B	0.33		0.51	0.0130		0.0200
C			0.32			0.0125
D	4.98		13.00	0.1961		0.5118
E	7.40		7.60	0.2914		0.2992
e		1.27			0.050	
H	10.01		10.64	0.394		0.419
h	0.25		0.74	0.010		0.029
K	0°		8°	0°		8°
L	0.41		1.27	0.016		0.050
G			0.10			0.004
	Number of Pins					
N	20					

Information furnished is believed to be accurate and reliable. However, STMicroelectronics assumes no responsibility for the consequences of use of such information nor for any infringement of patents or other rights of third parties which may result from its use. No license is granted by implication or otherwise under any patent or patent rights of STMicroelectronics. Specifications mentioned in this publication are subject to change without notice. This publication supersedes and replaces all information previously supplied. STMicroelectronics products are not authorized for use as critical components in life support devices or systems without express written approval of STMicroelectronics.

The ST logo is a registered trademark of STMicroelectronics

© 2003 STMicroelectronics - All Rights Reserved

STMicroelectronics GROUP OF COMPANIES

Australia - Brazil - Canada - China - Finland - France - Germany - Hong Kong - India - Israel - Italy - Japan
Malaysia - Malta - Morocco - Singapore - Spain - Sweden - Switzerland - United Kingdom - U.S.A.

www.st.com