

CMOS 16-Bit Microcontrollers

TMP95FW54AF

1. Outline and Features

TMP95FW54A is a high-speed 16-bit microcontroller designed for the control of various mid- to large-scale equipment.

TMP95FW54A comes in a 100-pin flat package.

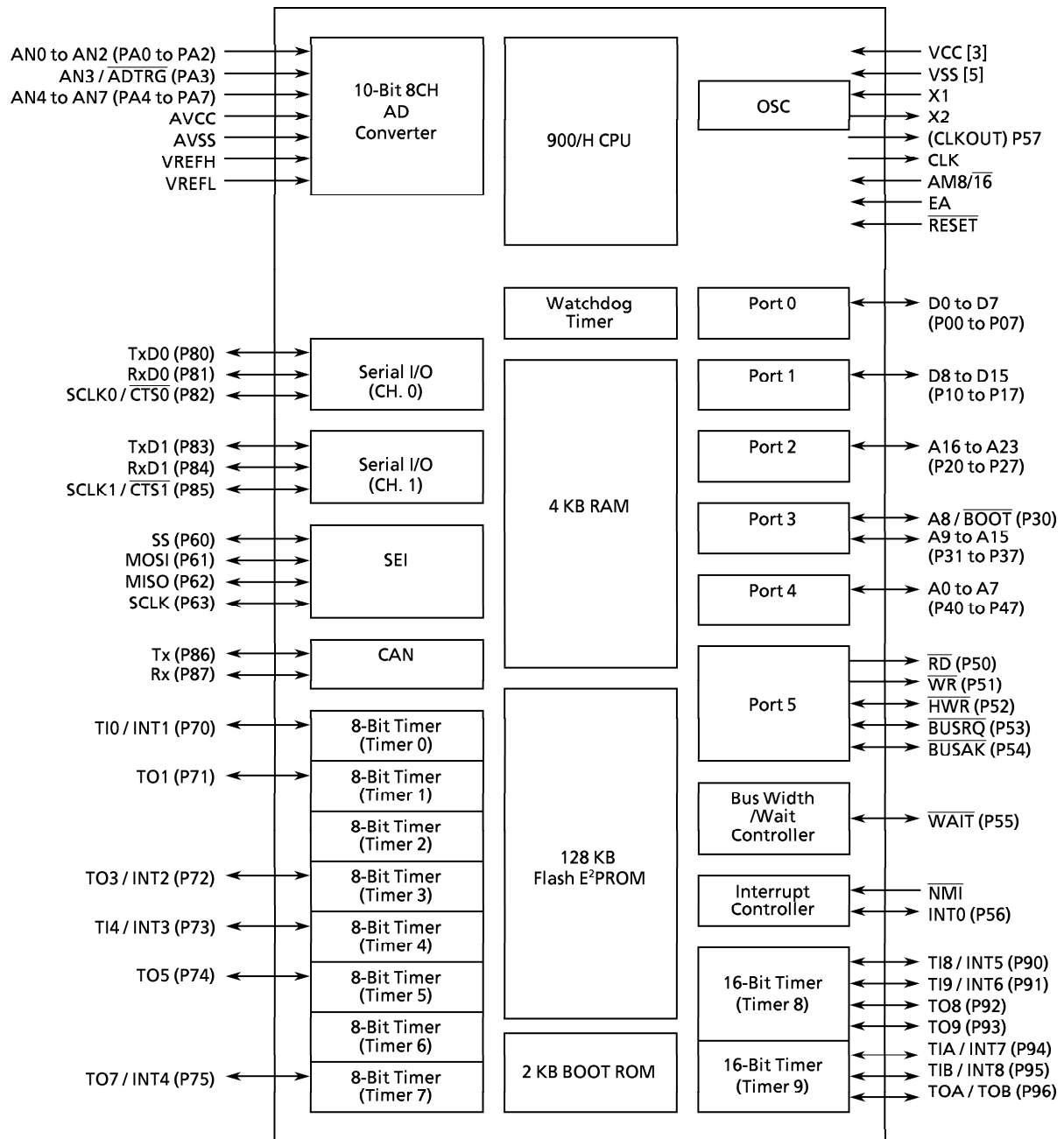
Listed below are the features.

- (1) High-speed 16-bit CPU (900/H CPU)
 - Instruction mnemonics are upward-compatible with TLCS-90/900
 - 16M bytes of linear address space
 - General-purpose registers and register banks
 - 16-bit multiplication and division instructions; bit transfer and arithmetic instructions
 - Micro DMA: Four-channels (667 ns/2 bytes at 24 MHz)
- (2) Minimum instruction execution time: 167 ns (at 24 MHz)
- (3) Built-in RAM: 4 Kbytes
Built-in ROM: 128 Kbyte Flash E²PROM
2 Kbyte mask ROM (used for booting)
- (4) External memory expansion
 - Expandable up to 16 Mbytes (shared program/data area)
 - External data bus width select pin (AM8/I $\overline{6}$)
 - Can simultaneously support 8/16-bit width external data bus ··· Dynamic data bus sizing
- (5) 8-bit timers: 8 channels
 - With event counter function: 2 channels
- (6) 16-bit timer/event counter: 2 channels
- (7) General-purpose serial interface: 2 channels
- (8) Serial Expansion Interface: 1 channel
- (9) CAN Controller: 1 channel

000707EBP1

- For a discussion of how the reliability of microcontrollers can be predicted, please refer to Section 1.3 of the chapter entitled Quality and Reliability Assurance/ Handling Precautions.
- TOSHIBA is continually working to improve the quality and reliability of its products. Nevertheless, semiconductor devices in general can malfunction or fail due to their inherent electrical sensitivity and vulnerability to physical stress. It is the responsibility of the buyer, when utilizing TOSHIBA products, to comply with the standards of safety in making a safe design for the entire system, and to avoid situations in which a malfunction or failure of such TOSHIBA products could cause loss of human life, bodily injury or damage to property. In developing your designs, please ensure that TOSHIBA products are used within specified operating ranges as set forth in the most recent TOSHIBA products specifications. Also, please keep in mind the precautions and conditions set forth in the "Handling Guide for Semiconductor Devices," or "TOSHIBA Semiconductor Reliability Handbook" etc..
- The TOSHIBA products listed in this document are intended for usage in general electronics applications (computer, personal equipment, office equipment, measuring equipment, industrial robotics, domestic appliances, etc.). These TOSHIBA products are neither intended nor warranted for usage in equipment that requires extraordinarily high quality and/or reliability or a malfunction or failure of which may cause loss of human life or bodily injury ("Unintended Usage"). Unintended Usage include atomic energy control instruments, airplane or spaceship instruments, transportation instruments, traffic signal instruments, combustion control instruments, medical instruments, all types of safety devices, etc.. Unintended Usage of TOSHIBA products listed in this document shall be made at the customer's own risk.
- The products described in this document are subject to the foreign exchange and foreign trade laws.
- The information contained herein is presented only as a guide for the applications of our products. No responsibility is assumed by TOSHIBA CORPORATION for any infringements of intellectual property or other rights of the third parties which may result from its use. No license is granted by implication or otherwise under any intellectual property or other rights of TOSHIBA CORPORATION or others.
- The information contained herein is subject to change without notice.

- (10) 10-bit AD converter: 8 channels
- (11) Watchdog timer
- (12) Bus width/wait controller: 4 blocks
- (13) Interrupts: 49 interrupts
 - 9 CPU interrupts: Software interrupt instruction and illegal instruction
 - 30 internal interrupts:]
 - 10 external interrupts:] Seven selectable priority levels
- (14) Input/output ports: 81 pins
- (15) Standby mode
 - Four HALT modes: RUN, IDLE2, IDLE1, STOP
- (16) Operating voltage
 - $V_{CC}=4.5$ to 5.5 V
- (17) Package
 - P-QFP100-1414-0.50E



Note: After a reset, functions in parentheses () are selected for the shared pins.

Figure 1.1 TMP95FW54A Block Diagram

2. Pin Assignment and Pin Functions

This section shows the TMP95FW54AF pin assignment, and the names and an outline of the functions of the input/output pins.

2.1 Pin Assignment Diagram

Figure 2.1.1 is a pin assignment diagram for TMP95FW54AF.

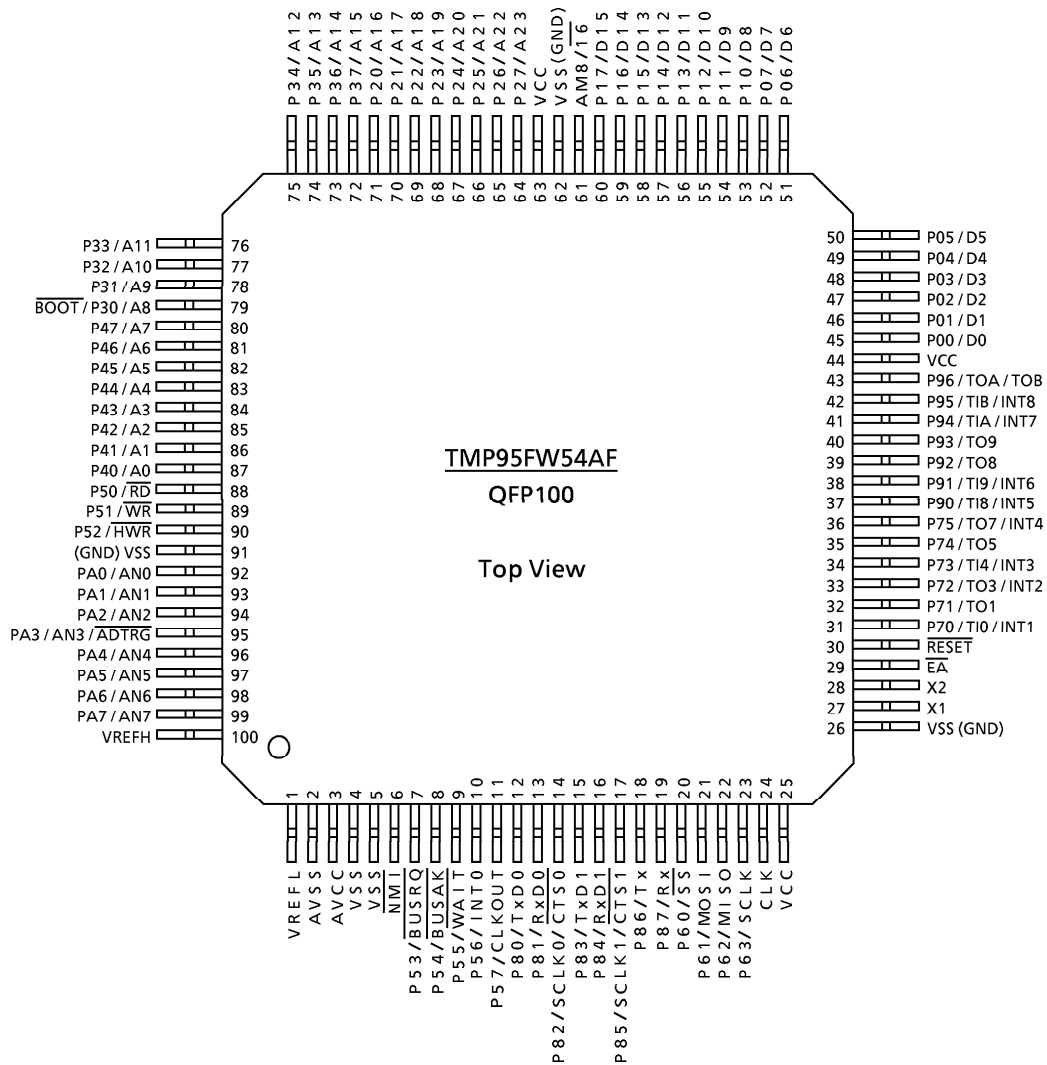


Figure 2.1.1 Pin assignment diagram (100-Pin QFP)

2.2 Pin Names and Functions

Table 2.2.1 shows the names and functions of the input/output pins.

Table 2.2.1 Pin names and functions (1/4)

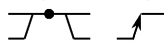
Pin Name	Number of Pins	Input/Output	Function
P00 to P07 / D0 to D7	8	Input/output	Port 0: I/O port. Input or output specifiable in units of bits
		Input/output	Data: Data bus 0 to 7
P10 to P17 / D8 to D15	8	Input/output	Port 1: I/O port. Input or output specifiable in units of bits
		Input/output	Data: Data bus 8 to 15
P20 to P27 / A16 to A23	8	Input/output	Port 2: I/O port. Input or output specifiable in units of bits
		Output	Address: Address bus 16 to 23
P30 / A8 / $\overline{\text{BOOT}}$	1	Input/output	Port 30: I/O port (with built-in pull-up resistor during input mode.)
		Output	Address: Address bus 8
		Input	Single boot mode setting. Pulled up during reset.
P31 to P37 / A9 to A15	7	Input/output	Port 31 to 37: I/O port. Input or output specifiable in units of bits
		Output	Address: Address bus 9 to 15
P40 to P47 / A0 to A7	8	Input/output	Port 4: I/O port. Input or output specifiable in units of bits
		Output	Address: Address bus 0 to 7
P50 / $\overline{\text{RD}}$	1	Output	Port 50: Output-only port
		Output	Read: Outputs strobe signal to read external memory (setting P5 <P50> = 0 and P5FC <P50F> = 1 outputs strobe signal at all read timings)
P51 / $\overline{\text{WR}}$	1	Output	Port 51: Output-only port.
		Output	Write: Outputs strobe signal to write data on pins D0 to D7
P52 / $\overline{\text{HWR}}$	1	Input/output	Port 52: I/O port (with built-in pull-up resistor)
		Output	Upper write: Outputs strobe signal to write data on pins D8 to D15
P53 / $\overline{\text{BUSRQ}}$	1	Input/output	Port 53: I/O port (with built-in pull-up resistor)
		Input	Bus request: Input pin to request external bus release
P54 / $\overline{\text{BUSAK}}$	1	Input/output	Port 54: I/O port (with built-in pull-up resistor)
		Output	Bus acknowledge: Output pin to acknowledge that CPU received $\overline{\text{BUSRQ}}$ and released external bus.
P55 / $\overline{\text{WAIT}}$	1	Input/output	Port 55: I/O port (with built-in pull up resistor)
		Input	Wait: Buswait request pin for CPU (Effective when 1 WAIT + N mode, or 0 + N WAIT mode. Set using bus width/wait control register.)
P56 / INT0	1	Input/output	Port 56: I/O port (with built-in pull-up resistor)
		Input	Interrupt request pin 0: Interrupt request pin with programmable level/rising edge. 

Table 2.2.1 Pin names and functions (2/4)





Pin Name	Number of Pins	Input/Output	Function
P57 /CLKOUT	1	Output	Port 57: Output-only port (with built-in pull-up resistor)
		Output	CLKOUT output: Outputs external clock divided by 6. Pulled up during reset.
P60 /SS	1	Input/output	Port 60: I/O port
		Input	SEI slave select input
P61 /MOSI	1	Input/output	Port 61: I/O port
		Input/output	SEI master output, slave input
P62 /MISO	1	Input/output	Port 62: I/O port
		Input/output	SEI master input, slave output
P63 /SCLK	1	Input/output	Port 63: I/O port
		Input/output	SEI clock input/output
P70 /TI0 /INT1	1	Input/output	Port 70: I/O port
		Input	Timer input 0: Input pin for timer 0
		Input	Interrupt request pin 1: Rising-edge interrupt request pin 
P71 /TO1	1	Input/output	Port 71: I/O port.
		Output	Timer output 1: Output pin for timer 0 or 1
P72 /TO3 /INT2	1	Input/output	Port 72: I/O port
		Output	Timer output 3: Output pin for timer 2 or 3
		Input	Interrupt request pin 2: Rising-edge interrupt request pin 
P73 /TI4 /INT3	1	Input/output	Port 73: I/O port
		Input	Timer input 4: Input pin for timer 4
		Input	Interrupt request pin 3: Rising-edge interrupt request pin 
P74 /TO5	1	Input/output	Port 74: I/O port
		Output	Timer output 5: Output pin for timer 4 or 5
P75 /TO7 /INT4	1	Input/output	Port 75: I/O port
		Output	Timer output 7: Output pin for timer 6 or 7
		Input	Interrupt request pin 4: Rising-edge interrupt request pin 
P80 /TxD0	1	Input/output	Port 80: I/O port (with built-in pull-up resistor)
		Output	Serial transmission data 0
P81 /RxD0	1	Input/output	Port 81: I/O port (with built-in pull-up resistor)
		Input	Serial receive data 0
P82 /SCLK0 /CTS0	1	Input/output	Port 82: I/O port (with built-in pull-up resistor)
		Input/output	Serial clock input/output 0
		Input	Serial data ready to send 0 (Clear-to-send)

Table 2.2.1 Pin names and functions (3/4)

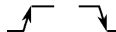

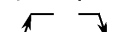

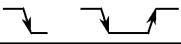
Pin Name	Number of Pins	Input/Output	Function
P83 / TxD1	1	Input/output	Port 83: I/O port (with built-in pull-up resistor)
		Output	Serial transmission data 1
P84 / RxD1	1	Input/output	Port 84: I/O port (with built-in pull-up resistor)
		Input	Serial receive data 1
P85 / SCLK1 / $\overline{\text{CTS1}}$	1	Input/output	Port 85: I/O port (with built-in pull-up resistor)
		Input/output	Serial clock input/output 1
		Input	Serial data ready to send 1 (Clear-to-send)
P86 / Tx	1	Input/output	Port 86: I/O port (with built-in pull-up resistor)
		Output	CAN transmission data
P87 / Rx	1	Input/output	Port 87: I/O port (with built-in pull-up resistor)
		Input	CAN receive data
P90 / TI8 / INT5	1	Input/output	Port 90: I/O port
		Input	Timer input 8: Input pin for timer 8
		Input	Interrupt request pin 5: Interrupt request pin with programmable rising/falling edge 
P91 / TI9 / INT6	1	Input/output	Port 91: I/O port
		Input	Timer input 9: Input pin for timer 8
		Input	Interrupt request pin 6: Rising edge interrupt request pin 
P92 / TO8	1	Input/output	Port 92: I/O port
		Output	Timer output 8: Output pin for timer 8
P93 / TO9	1	Input/output	Port 93: I/O port
		Output	Timer output 9: Output pin for timer 8
P94 / TIA / INT7	1	Input/output	Port 94: I/O port
		Input	Timer input A: Input pin for timer 9
		Input	Interrupt request pin 7: Interrupt request pin with programmable rising/falling edge 
P95 / TIB / INT8	1	Input/output	Port 95: I/O port
		Input	Timer input B: Input pin for timer 9
		Input	Interrupt request pin 8: Rising edge interrupt request pin 
P96 / TOA / TOB	1	Input/output	Port 96: I/O port
		Output	Timer output A: Output pin for timer 9
		Output	Timer output B: Output pin for timer 9
PA0 to PA2 / AN0 to AN2	3	Input	Port A0 to A2: Input-only port
		Input	Analog input 0 to 2: AD converter input pins
PA3 / AN3 / $\overline{\text{ADTRG}}$	1	Input	Port A3: Input-only port
		Input	Analog input 3: AD converter input pin
		Input	External start trigger

Table 2.2.1 Pin names and functions (4/4)

Pin Name	Number of Pins	Input/Output	Function
PA4 to PA7 / AN4 to AN7	4	Input	Port A4 to A7: Input-only port
		Input	Analog input 4 to 7: AD converter input pins
$\overline{\text{NMI}}$	1	Input	Non-maskable interrupt request pin: Interrupt request pin with programmable falling edge or both falling and rising edge 
CLK	1	Output	Clock output: Outputs external clock divided by 4. Pulled up during reset.
$\overline{\text{EA}}$	1	Input	External access: Connect to VCC.
AM8 / $\overline{\text{16}}$	1	Input	Address mode: External data bus width select pin Connect this pin to VCC. Data bus width at external access can be set by bus width/wait control register.
$\overline{\text{RESET}}$	1	Input	Reset: Initializes TMP95FW54A (with built-in pull-up resistor)
VREFH	1	Input	Reference voltage input pin for AD converter (high)
VREFL	1	Input	Reference voltage input pin for AD converter (low)
AVCC	1		Power supply pin for AD converter: Connect to power supply
AVSS	1		GND pin for AD converter: Connect to GND
X1 / X2	2	Input/output	Oscillator connecting pin
VCC	3		Power supply pin: Connect all VCC pins to power supply
VSS	5		GND pin: Connect all VSS pins to GND (0 V)

Note: Disconnect the pull-up resistors from pins other than $\overline{\text{RESET}}$ pin by software.
P30 is pulled-up during reset and input mode.
P57 and CLK pin are pulled-up only during reset.

3. Functional Description

This section shows the hardware configuration of the TMP95FW54A and explains how it operates.


This device is a version of the created by replacing the predecessor's internal mask ROM with a 128-Kbyte internal flash memory and expanding its internal RAM size to 4 Kbytes. The configuration and the functionality of this device are the same as those of the TMP95CU54A. For the functions of this device that are not described here, refer to the TMP95CU54A data sheet.

3.1 Outline of Operation Modes

There are single-chip and single-boot modes. Which mode is selected depends on the device's pin state after a reset.

- Single-chip mode: The device normally operates in this mode. After a reset, the device starts executing the internal flash memory program.
- Single-boot mode: This mode is used to rewrite the internal flash memory by serial transfer (UART). After a reset, the internal boot ROM starts up, executing a on-board rewrite program.

Table 3.1.1 Operation Mode Setup Table

Operation Mode	Mode Setup Input Pin		
	$\overline{\text{RESET}}$	$\overline{\text{BOOT}}$	$\overline{\text{EA}}$
Single-chip mode		1	1
Single-boot mode		0	1

3.2 Memory Map

The memory map of this device differs from that of the TMP95CU54A.

Figure 3.2.1 shows a memory map of the device in single-chip mode and its memory areas that can be accessed in each addressing mode of the CPU.

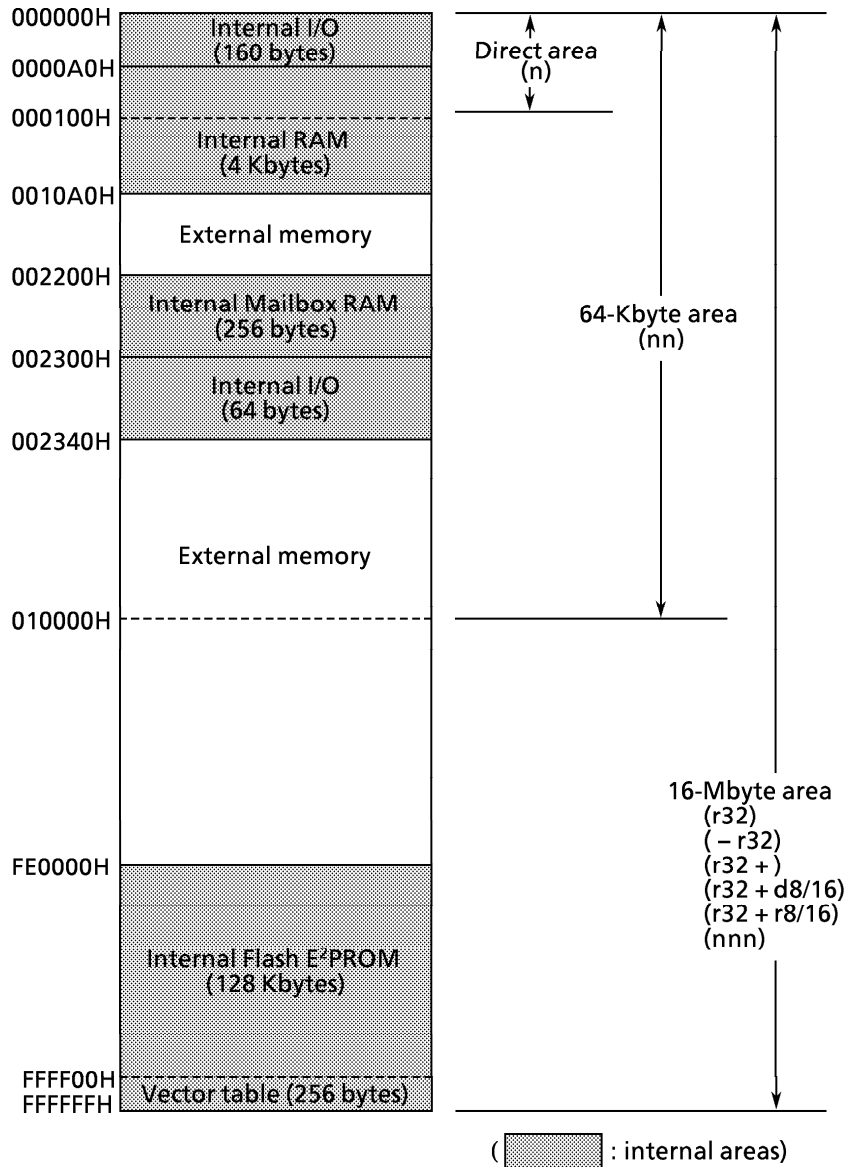


Figure 3.2.1 TMP95FW54A Memory Map (single-chip mode)

4. Electrical Characteristics

4.1 Absolute Maximum Ratings

Parameter	Symbol	Rating	Unit
Power Supply Voltage	V_{CC}	- 0.5 to + 6.5	V
Input Voltage	V_{IN}	- 0.5 to $V_{CC} + 0.5$	V
Output current (total)	ΣI_{OL}	+ 120	mA
Output current (total)	ΣI_{OH}	- 120	mA
Power Dissipation ($T_a = + 85^\circ\text{C}$)	P_D	600	mW
Soldering Temperature (10 s)	T_{SOLDER}	+ 260	$^\circ\text{C}$
Storage Temperature	T_{STG}	- 55 to + 125	$^\circ\text{C}$
Operating Temperature	T_{OPR}	- 40 to + 85	$^\circ\text{C}$
Number of Times Program Erased	N_{EW}	1000	Cycle

Note: The absolute maximum ratings are rated values which must not be exceeded during operation, even for an instant. Any one of the ratings must not be exceeded. If any absolute maximum rating is exceeded, a device may break down or its performance may be degraded, causing it to catch fire or explode resulting in injury to the user. Thus, when designing products which include this device, ensure that no absolute maximum rating value will ever be exceeded.

4.2 DC Electrical Characteristics

$V_{CC} = +5V \pm 10\%$, $T_a = -40$ to $+85^\circ\text{C}$ ($f_c = 8$ to 24 MHz)

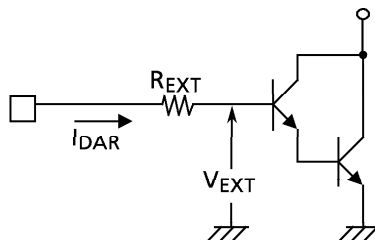
(single-chip mode, single-boot mode)

Parameter	Symbol	Test Condition	Min	Max	Unit
Input Low Voltage (D0 to 15) Port 2 to A (except P56, P70, P72, P73, P75) RESET, NMI, INT0 to 4 EA, AM8/16 X1	V_{IL}		-0.3	0.8	V
	V_{IL1}		-0.3	$0.3 V_{CC}$	V
	V_{IL2}		-0.3	$0.25 V_{CC}$	V
	V_{IL3}		-0.3	0.3	V
	V_{IL4}		-0.3	$0.2 V_{CC}$	V
Input High Voltage (D0 to 15) Port 2 to A (except P56, P70, P72, P73, P75) RESET, NMI, INT0 to 4 EA, AM8/16 X1	V_{IH}		2.2	$V_{CC} + 0.3$	V
	V_{IH1}		$0.7 V_{CC}$	$V_{CC} + 0.3$	V
	V_{IH2}		$0.75 V_{CC}$	$V_{CC} + 0.3$	V
	V_{IH3}		$V_{CC} - 0.3$	$V_{CC} + 0.3$	V
	V_{IH4}		$0.8 V_{CC}$	$V_{CC} + 0.3$	V
Output Low Voltage	V_{OL}	$I_{OL} = 1.6$ mA		0.45	V
Output High Voltage	V_{OH}	$I_{OH} = -400$ μA	2.4		V
	V_{OH1}	$I_{OH} = -100$ μA	$0.75 V_{CC}$		V
	V_{OH2}	$I_{OH} = -20$ μA	$0.9 V_{CC}$		V
Darlington Drive Current (8 Output Pins max.)	I_{DAR}	$V_{EXT} = 1.5$ V $R_{EXT} = 1.1$ k Ω	-1.0	-3.5	mA
Input Leakage Current	I_{LI}	$0.0 \leq V_{in} \leq V_{CC}$	0.02 (Typ.)	± 5	μA
Output Leakage Current	I_{LO}	$0.2 \leq V_{in} \leq V_{CC} - 0.2$	0.05 (Typ.)	± 10	μA
NORMAL (at Read) (at Write / Erase) RUN IDLE2 IDLE1	I_{CC}	$f_c = 24$ MHz	70 (Typ.)	95	mA
			80 (Typ.)	110	mA
			35 (Typ.)	50	mA
			30 (Typ.)	40	mA
			5 (Typ.)	10	mA
STOP ($T_a = -40$ to $+85^\circ\text{C}$) ($T_a = -20$ to $+70^\circ\text{C}$)		$0.2 \leq V_{in} \leq V_{CC} - 0.2$	0.5 (Typ.)	100 50	μA μA
Power Down Voltage (at STOP, RAM Back up)	V_{STOP}	$V_{IL2} = 0.2 V_{CC}$, $V_{IH2} = 0.8 V_{CC}$	2.0	6.0	V
Pull Up Resistance	R_{RP}		45	160	k Ω
Pin Capacitance	C_{IO}	$f_c = 1$ MHz		10	pF
Schmitt Width RESET, NMI, INT0 to 4	V_{TH}		0.4	1.0 (Typ.)	V

Note 1: Typical values are for $T_a = +25^\circ\text{C}$, $V_{CC} = +5$ V

Note 2: I_{DAR} guarantees up to eight pins from any output port.

Refer: I_{DAR} definition diagram.



4.3 AC Electrical Characteristics

$$V_{CC} = +5\text{ V} \pm 10\%, T_a = -40 \text{ to } +85^\circ\text{C}$$

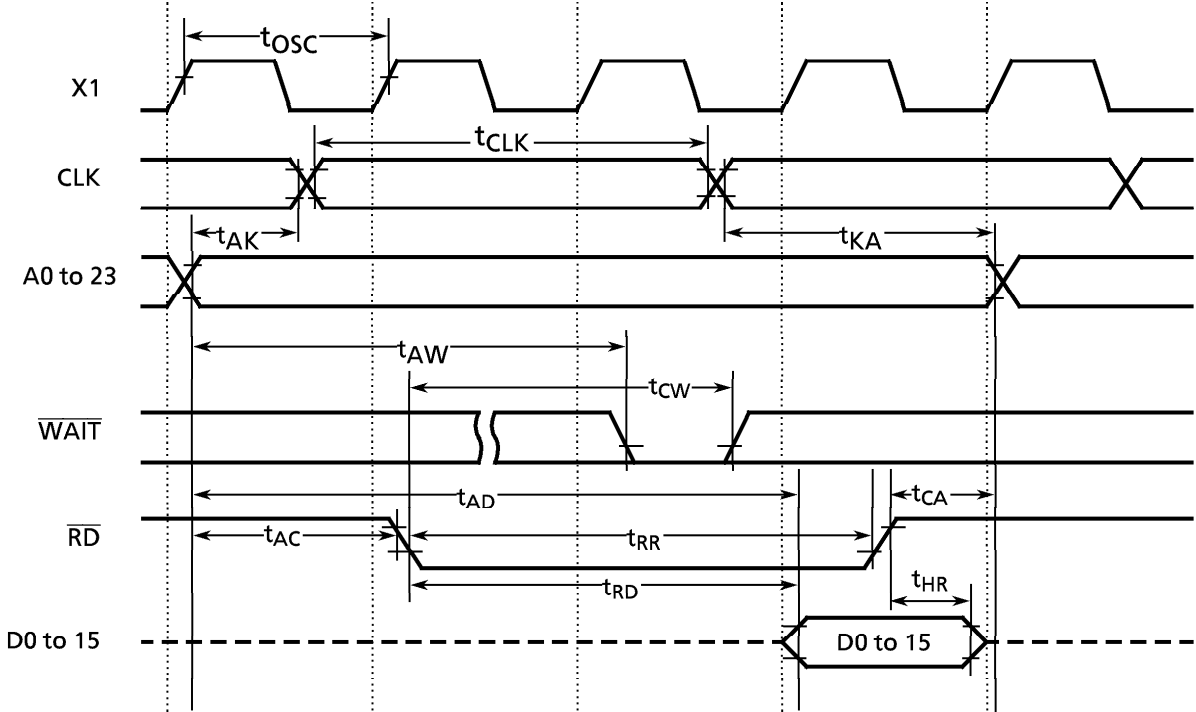
$$(f_c = 8\text{ MHz to } 24\text{ MHz})$$

No.	Parameter	Symbol	Variable		24 MHz		Unit
			Min	Max	Min	Max	
1	Oscillation cycle (= x)	t _{OSC}	42	125	42		ns
2	Clock pulse width	t _{CLK}	2.0x - 40		44		ns
3	A0 to 23 valid → Clock hold	t _{AK}	0.5x - 20		1		ns
4	Clock valid → A0 to 23 hold	t _{KA}	1.5x - 60		3		ns
5	A0 to 23 valid → $\overline{\text{RD}}/\overline{\text{WR}}$ fall	t _{AC}	1.0x - 20		22		ns
6	$\overline{\text{RD}}/\overline{\text{WR}}$ rise → A0 to 23 hold	t _{CA}	0.5x - 20		1		ns
7	A0 to 23 valid → D0 to 15 input	t _{AD}		3.5x - 40		107	ns
8	$\overline{\text{RD}}$ fall → D0 to 15 input	t _{RD}		2.5x - 45		60	ns
9	$\overline{\text{RD}}$ low pulse width	t _{RR}	2.5x - 40		65		ns
10	$\overline{\text{RD}}$ rise → D0 to 15 hold	t _{HR}	0		0		ns
11	$\overline{\text{WR}}$ low pulse width	t _{WW}	2.5x - 40		65		ns
12	D0 to 15 valid → $\overline{\text{WR}}$ rise	t _{DW}	2.0x - 40		44		ns
13	$\overline{\text{WR}}$ rise → D0 to 15 hold	t _{WD}	0.5x - 10		11		ns
14	A0 to 23 valid → $\overline{\text{WAIT}}$ input ^(1 WAIT mode)	t _{AW}		3.5x - 90		57	ns
	A0 to 23 valid → $\overline{\text{WAIT}}$ input ^(0+n WAIT mode)	t _{AW}		1.5x - 40		23	ns
15	$\overline{\text{RD}}/\overline{\text{WR}}$ fall → $\overline{\text{WAIT}}$ hold ^(1 WAIT mode)	t _{CW}	2.5x + 0		105		ns
	$\overline{\text{RD}}/\overline{\text{WR}}$ fall → $\overline{\text{WAIT}}$ hold ^(0+n WAIT mode)	t _{CW}	0.5x + 0		21		ns
16	$\overline{\text{WR}}$ rise → PORT valid	t _{CP}		200		200	ns

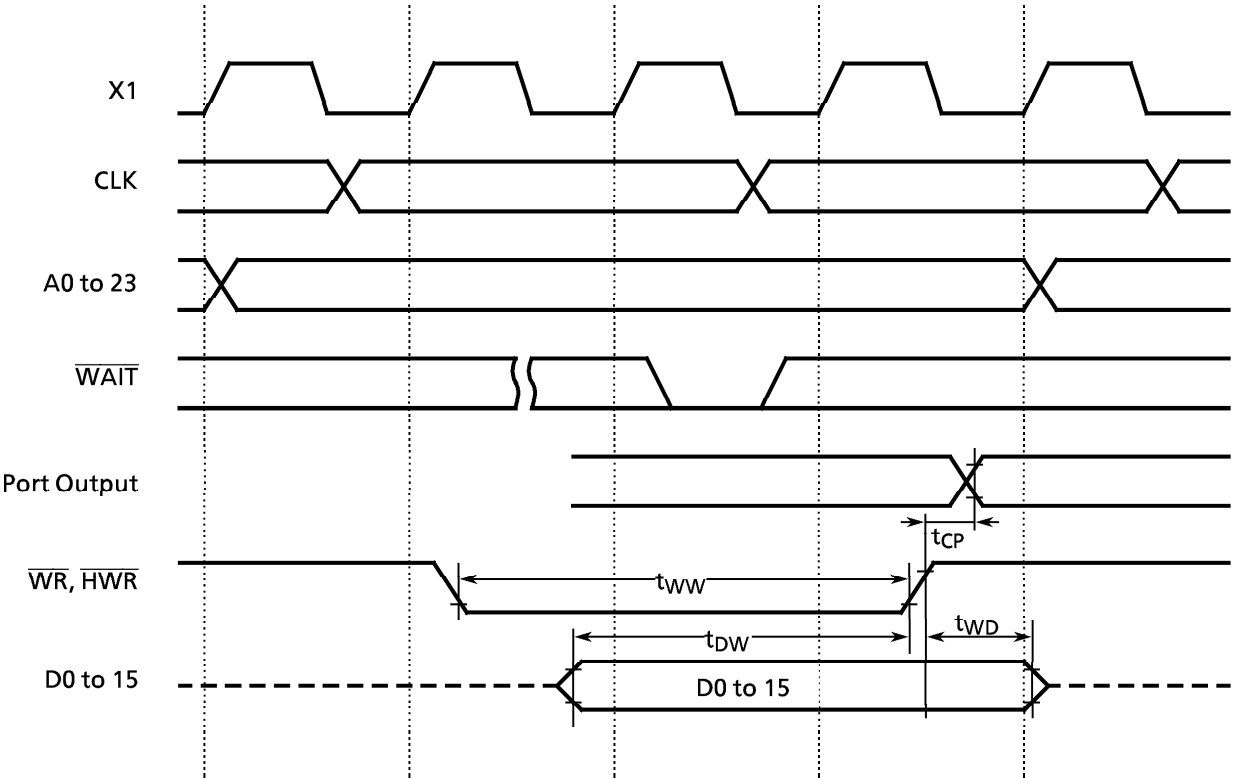
AC measuring conditions

- Output level: High 2.2 V / Low 0.8 V, CL = 50 pF
- Input level: High 2.4 V / Low 0.45 V (D0 to D15)
High $0.8 \times V_{CC}$ / Low $0.2 \times V_{CC}$ (except for D0 to D15)

(1) Read cycle



(2) Write cycle



4.4 Serial Channel Timing

(1) I/O interface mode

① SCLK input mode

$V_{CC} = +5V \pm 10\%$, $T_a = -40$ to $+85^\circ\text{C}$ ($f_c = 8$ to 24 MHz)

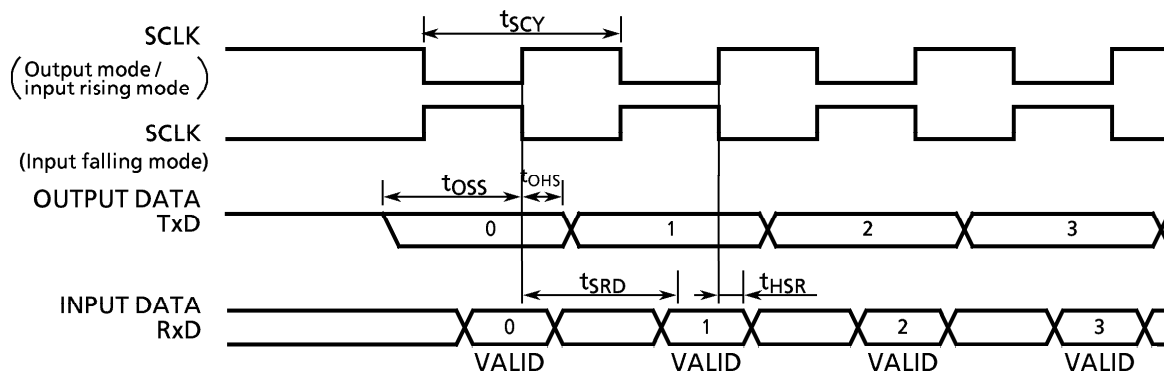
Parameter	Symbol	Variable		24 MHz		Unit
		Min	Max	Min	Max	
SCLK cycle	t_{SCY}	16x		0.667		μs
Output Data → SCLK rise/fall*	t_{OSS}	$t_{SCY}/2 - 5x - 50$		75		ns
SCLK rise/fall* → Output Data hold	t_{OHS}	$5x - 100$		108		ns
SCLK rise/fall* → input data hold	t_{HSR}	0		0		ns
SCLK rise/fall* → valid data input	t_{SRD}		$t_{SCY} - 5x - 100$		358	ns

*) SCLK rise/fall: In SCLK rising edge mode, SCLK rising edge timing; in SCLK falling edge mode, SCLK falling edge timing

② SCLK output mode

$V_{CC} = +5V \pm 10\%$, $T_a = -40$ to $+85^\circ\text{C}$ ($f_c = 8$ to 24 MHz)

Parameter	Symbol	Variable		24 MHz		Unit
		Min	Max	Min	Max	
SCLK cycle (programmable)	t_{SCY}	16x	8192x	0.667	341.3	μs
Output Data → SCLK rising edge	t_{OSS}	$t_{SCY} - 2x - 150$		433		ns
SCLK rising edge → Output Data hold	t_{OHS}	$2x - 80$		3		ns
SCLK rising edge → Input Data hold	t_{HSR}	0		0		ns
SCLK rising edge → valid data input	t_{SRD}		$t_{SCY} - 2x - 150$		433	ns



(2) UART mode (SCLK0 to 1 external input)

$V_{CC} = +5V \pm 10\%$, $T_a = -40$ to $+85^\circ\text{C}$ ($f_c = 8$ to 24 MHz)

Parameter	Symbol	Variable		24 MHz		Unit
		Min	Max	Min	Max	
SCLK cycle	t_{SCY}	$4x + 20$		187		ns
Low-level SCLK pulse width	t_{SCYL}	$2x + 5$		88		ns
High-level SCLK pulse width	t_{SCYH}	$2x + 5$		88		ns

4.5 AD Conversion Characteristics

 $V_{CC} = +5V \pm 10\%$, $T_a = -40$ to $+85^\circ\text{C}$ ($f_c = 8$ to 24 MHz)

Parameter		Symbol	Test Conditions	Min	Typ.	Max	Unit
AD analog reference supply voltage (+)		V_{REFH}		$V_{CC} - 0.2$		V_{CC}	V
AD analog reference supply voltage (-)		V_{REFL}		V_{SS}		$V_{SS} + 0.2$	
Analog reference voltage		AV_{CC}		$V_{CC} - 0.2$		V_{CC}	
Analog reference voltage		AV_{SS}		V_{SS}		$V_{SS} + 0.2$	
Analog input voltage		V_{AIN}		V_{REFL}		V_{REFH}	
Analog reference voltage supply current	$\langle V_{REFON} \rangle = 1$	I_{REF}	$V_{CC} = +5V \pm 10\%$			3.7	mA
	$\langle V_{REFON} \rangle = 0$		$V_{CC} = +5V \pm 10\%$		0.02	5.0	μA
Total tolerance (excludes quantization error)		E_T	$V_{CC} = +5V \pm 10\%$		± 1	± 3	LSB

Note 1: $1\text{LSB} = (V_{REFH} - V_{REFL}) / 2^{10}$ [V]

Note 2: Power supply current I_{CC} from the VCC pin includes the power supply current from the AVCC pin.

4.6 Event Counter (External Input Clocks: T10, T14, T18, T19, T1A, T1B)

 $V_{CC} = +5V \pm 10\%$, $T_a = -40$ to $+85^\circ\text{C}$ ($f_c = 8$ to 24 MHz)

Parameter	Symbol	Variable		24 MHz		Unit
		Min	Max	Min	Max	
External input clock cycle	t_{VCK}	$8x + 100$		433		ns
External low-level input clock pulse width	t_{VCKL}	$4x + 40$		207		ns
External high-level input clock pulse width	t_{VCKH}	$4x + 40$		207		ns

4.7 Interrupt Operation

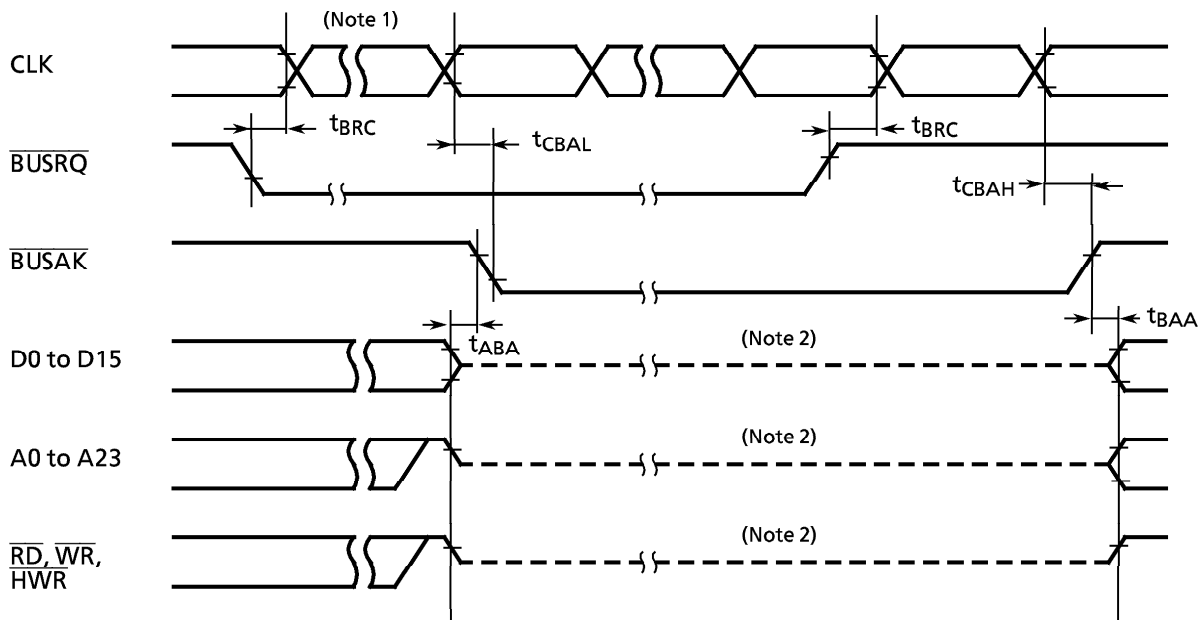
 $V_{CC} = +5V \pm 10\%$, $T_a = -40$ to $+85^\circ\text{C}$ ($f_c = 8$ to 24 MHz)

Parameter	Symbol	Variable		24 MHz		Unit
		Min	Max	Min	Max	
$\overline{\text{NMI}}$, INT0 to 4 low-level pulse width	t_{INTAL}	$4x$		167		ns
$\overline{\text{NMI}}$, INT0 to 4 high-level pulse width	t_{INTAH}	$4x$		167		ns
INT5 to INT8 low-level pulse width	t_{INTBL}	$8x + 100$		433		ns
INT5 to INT8 high-level pulse width	t_{INTBH}	$8x + 100$		433		ns

4.8 Bus Request/Bus Acknowledge Timing

$V_{CC} = +5V \pm 10\%$, $T_a = -40$ to $+85^\circ\text{C}$ ($f_c = 8$ to 24 MHz)

Parameter	Symbol	Variable		24 MHz		Unit
		Min	Max	Min	Max	
BUSRQ setup time for CLK	t_{BRC}	120		120		ns
CLK → BUSAK fall	t_{CBAL}		$2.0x + 120$		203	ns
CLK → BUSAK rise	t_{CBAH}		$0.5x + 40$		61	ns
Time from output buffer off until BUSAK falling edge	t_{ABA}	0	80	0	80	ns
Time from BUSAK rising edge until output buffer on	t_{BAA}	0	80	0	80	ns



Note 1: When $\overline{\text{BUSRQ}}$ goes to low level to request bus release, if the current bus cycle is yet complete due to a wait, the bus is not released until the wait completes.

Note 2: The dotted line indicates only that the output buffer is off, not that the signal is at middle level. Immediately after bus release, the signal level prior to the bus release is held dynamically by the external load capacitance. Therefore, designs should allow for the fact that when using an external resistor or similar to fix the signal level while the bus is released, after bus release a delay occurs before the signal goes to its fixed level (due to the CR time constant). The internal programmable pull-up resistor continues to function in accordance with the internal signal level.