

SANYO	No. 4184	LB8111V
	8 mm VTR Sensor Amplifier	

Overview

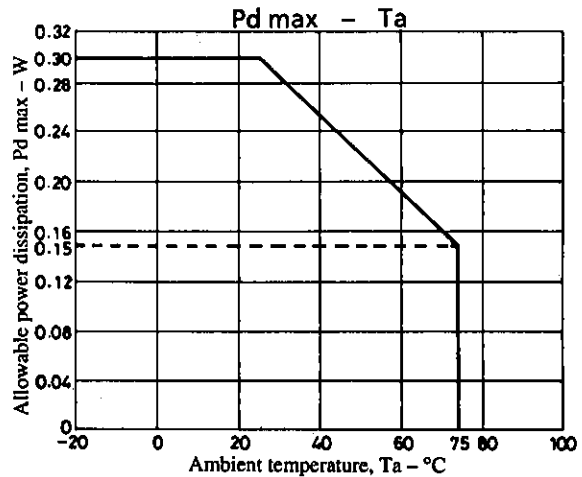
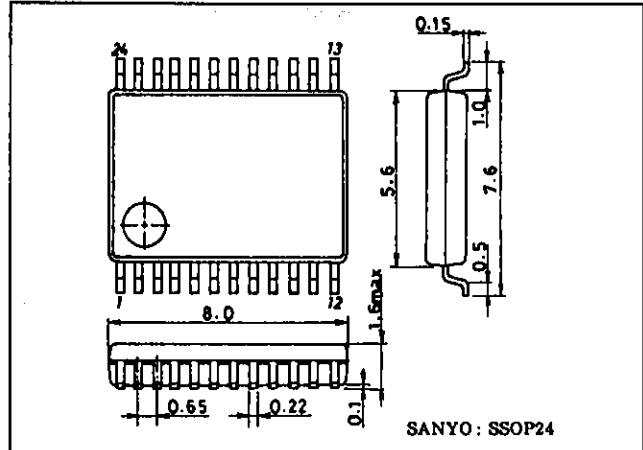
The LB8111V is equipped with built-in amplifiers for use with reel FG, drum FG and drum PG applications to make this IC most suitable for portable VTR (Video Tape Recorder) applications.

Features

- Built-in 2-channel reel FG amplifier
- Built-in drum FG amplifier
- Built-in drum PG amplifier

Package Dimensions

unit : mm
3175A-SSOP24



Specifications

Absolute Maximum Ratings at Ta = 25°C

Parameter	Symbol	Value	unit
Maximum supply voltage	V _{CC max}	7	V
Allowable power dissipation	P _{d max}	0.3	W
Operating temperature	T _{opr}	-20 to +75	°C
Storage temperature	T _{stg}	-55 to +125	°C

Allowable Operating Conditions at Ta = 25°C

Parameter	Symbol	Value	unit
Supply voltage	V _{CC}	4.0 to 5.5	V

Continued on next page.

LB8111V

Continued from preceding page.

Electrical Characteristics at $T_a = 25^\circ\text{C}$, $V_{CC} = 5\text{V}$

		min	typ	max	unit	note
Supply current	I_{CC}		3	5	mA	
Internal reference voltage	V_{REF}	1.8	2.0	2.2	V	

[Reel FG amplifier]

Input offset voltage	V_{IO}		± 1	± 5	mV	
Input bias current	I_B			250	nA	
In-phase input voltage range	V_{ICM}	1		4	V	
In-phase signal clearance ratio	CMR	65	80		dB	*
Open-loop gain	G_V		55		dB	
Source side output saturation voltage	V_{OU}	$I_O = -500\mu\text{A}$	3.7		V	
Synch side output saturation voltage	V_{OD}	$I_O = 500\mu\text{A}$		1.3	V	

[Drum FG amplifier]

Input offset voltage	V_{IO}		± 1	± 5	mV	*
Input bias current	I_B			250	nA	*
In-phase input voltage range	V_{ICM}	1		4	V	*
Output current (sink)	I_{OL}			2	mA	
Output ON voltage	V_{OL}		0.2	0.4	V	
Output OFF voltage	V_{OH}	4.8			V	
Hysteresis width	V_{HIS}	70	100	130	mV	*

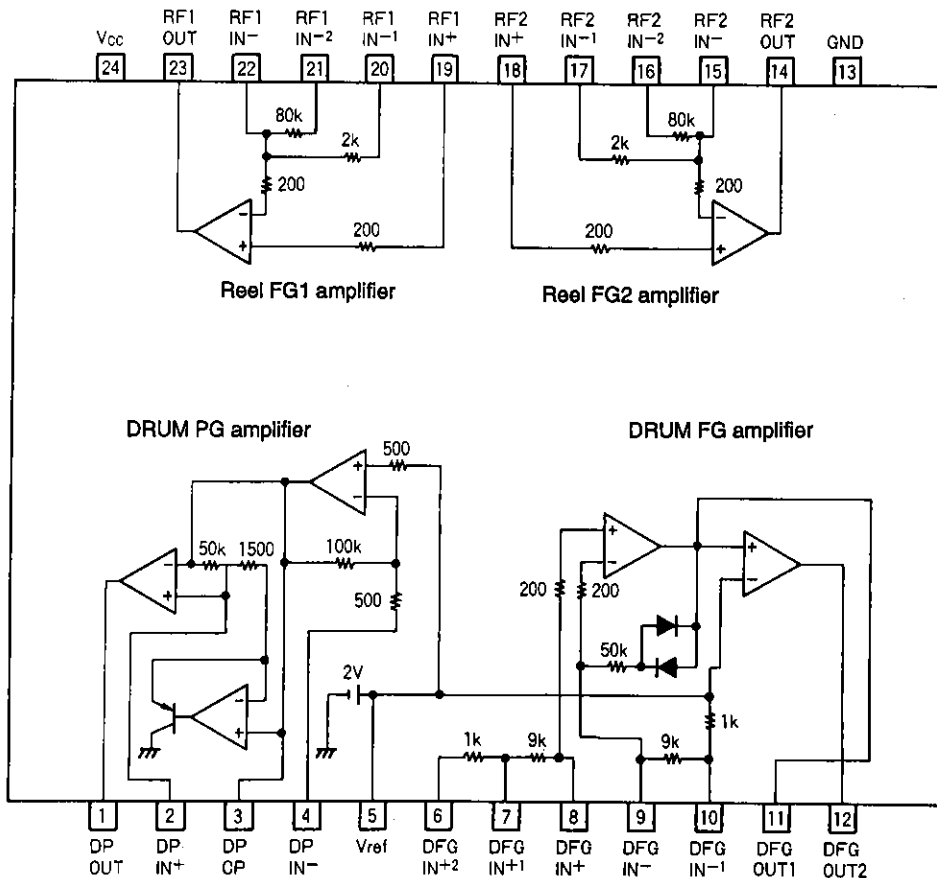
[Drum PG amplifier]

Input offset voltage	V_{IO}		± 1	± 5	mV	
Input bias current	I_B			500	nA	*
In-phase input voltage range	V_{ICM}	1		4	V	*
Output current (sink)	I_{OL}			2	mA	
Output ON voltage	V_{OL}		0.2	0.4	V	
Output OFF voltage	V_{OH}	4.8			V	
Schmitt amplifier hysteresis width	V_{SHIS}		20		mV	*

Note: * marks indicate items that were not subject to testing.

Pin Assignment

Unit (resistance: Ω)



Pin Assignment

(Power supply reel amplifier)

Pin No.	Pin Symbol	Pin Voltage	Equivalent circuit	Pin Description
24	V _{CC}			This pin is for total circuit power supply.
13	GND			This pin is for total circuit ground (GND).
5	V _{ref}			This pin is for internal reference voltage (~2V). This voltage is reference voltage for Drum FG and Drum PG amplifiers.
18	R _{EE} LFG2 _{in+}			These pins are for positive (+) inputs for the reel FG amplifiers.
19	R _{EE} LFG1 _{in+}			These pins are for negative (-) inputs for the reel FG amplifiers.
15	R _{EE} LFG2 _{in-}			These pins are for reel FG amplifier negative (-) inputs equipped with 2k input resistors.
22	R _{EE} LFG1 _{in-}			These pins are for reel FG amplifier negative (-) inputs equipped with 80kΩ feed-back resistors.
17	R _{EE} LFG2 _{in-1}			
20	R _{EE} LFG1 _{in-1}			
16	R _{EE} LFG2 _{in-2}			These pins are for reel FG amplifier output pins.
21	R _{EE} LFG1 _{in-2}			
14	R _{EE} LFG2 _{out}			
23	R _{EE} LFG1 _{out}			

Unit (resistance: Ω)

Continued on next page.

LB8111V

Continued from preceding page.

(Drum PG amplifier)

Pin No.	Pin Symbol	Pin Voltage	Equivalent circuit	Pin Description
4	DRUM PG _{in} ⁻			This pin is for Drum PG amplifier Input. Inputs PG signal to interval with V _{REF} .
3	DRUM PG _{C.P}			This pin is for Drum PG amplifier first-stage amplifier output. This is the check pin for PG amplifier measurement. (With actual applications, this pin is not used.)
2	DRUM PG _{in} ⁺			This pin is for connecting a Drum PG amplifier peak hold capacitor.
1	DRUM PG _{out}			This pin is the Drum PG amplifier output pin.

Unit (resistance: Ω)

Continued on next page.

Continued from preceding page.

(Drum FG amplifier)

Pin No.	Pin Symbol	Pin Voltage	Equivalent circuit	Pin Description
6	DRUM FGin+2			This pin is for Drum FG amplifier positive (+) input equipped with a 1k input resistor. Inputs FG signal to interval with V_{REF} .
7	DRUM FGin+1			This pin is for Drum FG amplifier positive (+) input equipped with a 9k input resistor.
8	DRUM FGin+			This pin is for Drum FG amplifier positive (+) input.
10	DRUM FGin-1			This pin is for Drum FG amplifier negative (-) input equipped with a 9k input resistor.
9	DRUM FGin-			This pin is for Drum FG amplifier negative (-) input.
11	DRUM FG _{OUT} 1			This pin is for Drum FG amplifier first-stage amplifier output. This is the check pin for FG amplifier measurement. (With actual applications, this pin is not used.)
12	DRUM FG _{OUT} 2			This pin is for the Drum FG amplifier output pin.

Unit (resistance: Ω)

- No products described or contained herein are intended for use in surgical implants, life-support systems, aerospace equipment, nuclear power control systems, vehicles, disaster/crime-prevention equipment and the like, the failure of which may directly or indirectly cause injury, death or property loss.
- Anyone purchasing any products described or contained herein for an above-mentioned use shall:
 - ① Accept full responsibility and indemnify and defend SANYO ELECTRIC CO., LTD., its affiliates, subsidiaries and distributors and all their officers and employees, jointly and severally, against any and all claims and litigation and all damages, cost and expenses associated with such use:
 - ② Not impose any responsibility for any fault or negligence which may be cited in any such claim or litigation on SANYO ELECTRIC CO., LTD., its affiliates, subsidiaries and distributors or any of their officers and employees jointly or severally.
- Information (including circuit diagrams and circuit parameters) herein is for example only; it is not guaranteed for volume production. SANYO believes information herein is accurate and reliable, but no guarantees are made or implied regarding its use or any infringements of intellectual property rights or other rights of third parties.