



comatlas

VES1820X

SINGLE CHIP

DVB-C

CHANNEL RECEIVER

FEATURES

- 16/32/64/128/256 QAM demodulator (DVB-C compatible : ETS 300-429).
- On chip 9-bit ADC.
- On chip PLL for crystal frequency multiplication.
- Digital down conversion.
- Half Nyquist filters (roll off = 15 %).
- Automatic gain control PWM output (AGC).
- Symbol timing recovery, with programmable second order loop filter.
- Variable symbol rate capability from SACLK/64 to SACLK/4 (SACLK max = 36 MHz)
- Programmable anti-aliasing filters.
- Full digital carrier recovery loop.
- Carrier acquisition range up to 8 % of symbol rate.
- Integrated adaptative equalizer (Linear Transversal Equalizer or Decision Feedback Equalizer).
- On chip FEC decoder (Deinterleaver & RS decoder), full DVB-C compliant.
- DVB compatible differential decoding and mapping.
- Parallel or serial transport stream interface.
- I2C bus interface, for easy control.
- CMOS 0.35µm technology.

APPLICATIONS

- DVB-C fully compatible.
- Digital data transmission using QAM modulations.
- Cable demodulation.
- Cable modems
- MMDS (ETS 300-429).

DESCRIPTION

The VES1820X is a single chip channel receiver for 16, 32, 64, 128 and 256-QAM modulated signals. The device interfaces directly to the IF signal, which is sampled by a 9-bit AD converter.

The VES1820X performs the clock and the carrier recovery functions. The digital loop filters for both clock and carrier recovery are programmable in order to optimize their characteristics according to the current application.

After base band conversion, equalization filters are used for echo cancellation in cable applications. These filters are configured as T-spaced transversal equalizer or DFE equalizer, so that the system performance can be optimized according to the network characteristics. A proprietary equalization algorithm, independent of carrier offset, is achieved in order to assist carrier recovery. Then a decision directed algorithm takes place, to achieve final equalization convergence.

The VES1820X implements a FORNEY convolutional deinterleaver of depth 12 blocks and a Reed-Solomon decoder which corrects up to 8 erroneous bytes. The deinterleaver and the RS decoder are automatically synchronized thanks to the frame synchronization algorithm which uses the MPEG2 sync byte. Finally descrambling according to DVB-C standard, is achieved at the Reed Solomon output. This device is controlled via an I2C bus.

Designed in 0.35 µm CMOS technology and housed in a 100 pin MQFP package, the VES1820X operates over the commercial temperature range.



CAUTION

This document is preliminary and is subject to change. Contact a comatlas representative to determine if this is the current information on this device.

The information contained in this document has been carefully checked and is believed to be reliable. However, **comatlas** makes no guarantee or warranty concerning the accuracy of said information and shall not be responsible for any loss or damage of whatever nature resulting from the use of, or reliance upon, it. **comatlas** does not guarantee that the use of any information contained herein will not infringe upon the patent, trademark, copyright, mask work right or other rights of third parties, and no patent or other license is implied hereby.

This document does not in any way extend **comatlas** warranty on any product beyond that set forth in its standard terms and conditions of sale. **comatlas** reserves the right to make changes in the products or specifications, or both, presented in this publication at any time and without notice.

LIFE SUPPORT APPLICATIONS : **comatlas** products are not intended for use as critical components in life support appliances, devices, or systems in which the failure of a **comatlas** product to perform could be expected to result in personal injury.

FIGURE 1 : FUNCTIONAL BLOCK DIAGRAM

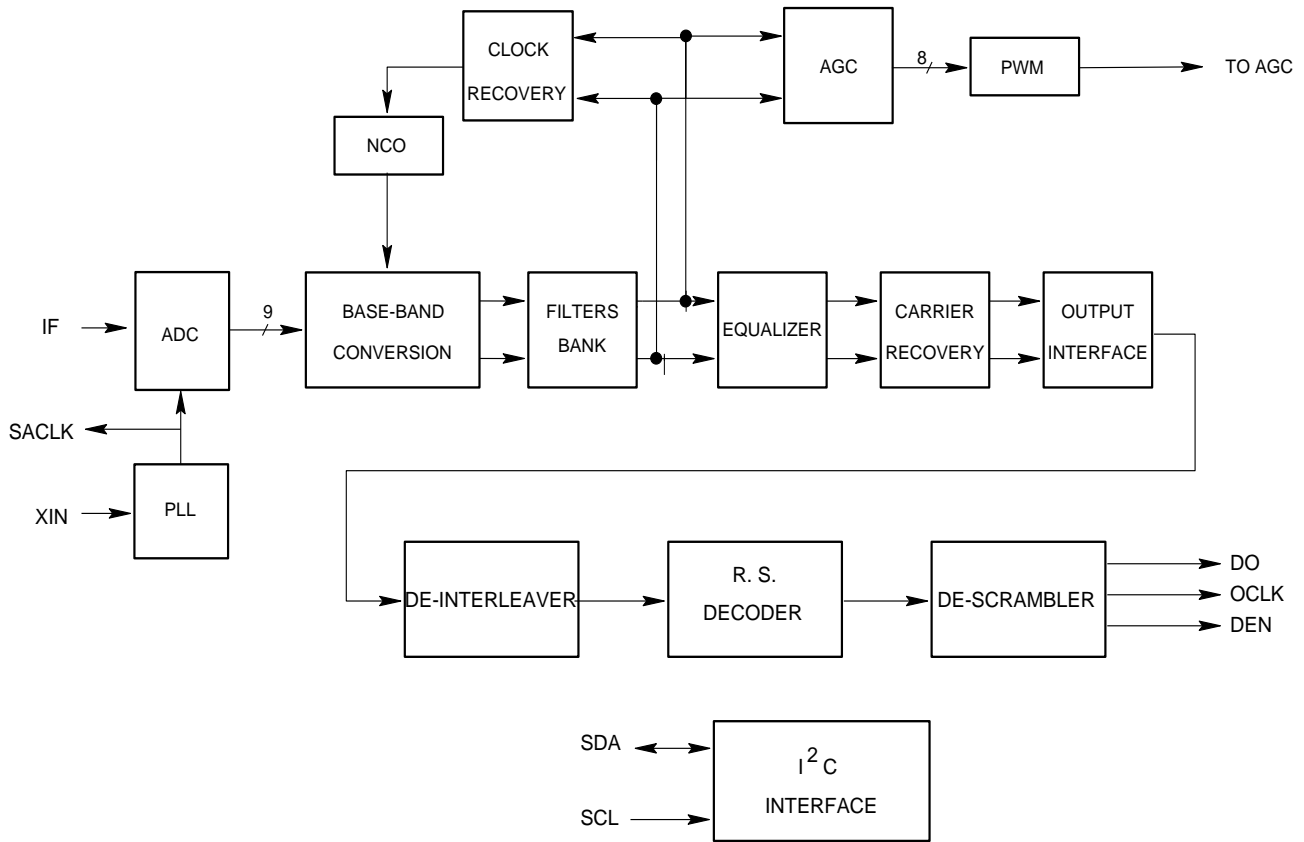


TABLE 1 : ABSOLUTE MAXIMUM RATINGS

Parameter	Min	Max	Unit
Ambient operating temperature : Ta	0	70	°C
DC supply voltage	- 0.5	+ 4.1	V
DC Input voltage	- 0.5	VDD + 0.5	V
DC Input Current		± 20	mA
Lead Temperature		+300	°C
Junction Temperature		+150	°C

Stresses above the absolute maximum ratings may cause permanent damage to the device. Exposure to absolute maximum ratings conditions for extended periods may affect device reliability.

TABLE 2 : RECOMMENDED OPERATING CONDITIONS

Symbol	Parameter	Min	Typ	Max	Unit	Notes
VDD	Digital supply voltage	3.14	3.3	3.46	V	3.3V ±5%
VCC	5V supply	4.75	5	5.25	V	pin 17
Ta	Operating temperature	0		70	°C	Ambient temperature
VIH ¹	High-level input voltage	2		VCC + 0.3	V	TTL input
VIL	Low-level input voltage	-0.5		0.8	V	TTL input
VOH ²	High-level output voltage	VDD -0.1 2.4			V	@ IOH = -0.8 mA @ IOH = + 2mA
VOL ²	Low-level output voltage			0.1 0.4	V	@ IOL = 0.8 mA @ IOL = + 2mA
IDD	Supply current		200		mA	@XIN = 57.84Mhz Symbol Rate =6Mbd
CIN	Input capacitance		15		pF	
COUT	Output capacitance		15		pF	
VD2, VD3, VD4	Analog supply voltage	3.14	3.3	3.46	V	3.3V ± 5%
VIP	Positive analog input		0.5		V	
VIM	Negative analog input		-0.5		V	

¹ All inputs are 5V tolerant

² IOH, IOL = ± 4mA only for pins SACLK, OCLK, SDA, CTRL1, CTRL2, IT

FUNCTIONAL DESCRIPTION

➤ **ADC**

The VES1820X implements a 9-bit analog to digital converter. No external voltage references are required to use the ADC.

➤ **PLL**

The VES1820X implements a PLL used as clock multiplier by 1, 2, 3, 4, 5, 6, 7 or 8, so that the crystal can be low frequency (fundamental tone).

➤ **DOWN CONVERTER AND NYQUIST FILTERS**

The digital down converter performs the down conversion of the bandpass input signal into the 2 classical quadrature I & Q channels. Then these two signals are passed through anti-alias filters and through a half Nyquist filter having a fixed roll-off of 0.15. The digital filter gives a stop band attenuation of more than 40 dB.

➤ **EQUALIZER**

After Nyquist filtering, the signal is fed to an equalization filter, for echo cancellation. This equalizer can be configured as either a transversal Equalizer or a decision feedback equalizer. The following table shows some echos configuration that the VES1820X corrects with an equivalent degradation of less than 1dB @ BER = 10^{-4} .

DELAY (nS)	AMPLITUDE (dB)	PHASE
50	-10	worst
150 and 800	-12 and -20	worst
1600	-20	worst

➤ **CARRIER RECOVERY**

The carrier synchronizer implements a fully digital algorithm allowing to recover carrier frequency offsets up to $\pm 8\%$ symbol rate. A phase error detector followed by a programmable second order loop filter provides an estimation of the carrier phase, to compensate the input carrier frequency offset.

➤ **CLOCK RECOVERY**

A timing error detector implements an application of Gardner algorithm for digital clock recovery. The resulting error is fed to a programmable second order loop filter, which provides a 8-bit command to the NCO block. This one allows to determine the right sampling time instant of the input signal.

➤ **AUTOMATIC GAIN CONTROL**

An estimation of input signal magnitude is performed and compared to a threshold value which is programmable via the microcontroller interface. The resulting error is then filtered to produce an 10-bit command which is then PWM encoded and provided on pin VAGC. The PWM signal can be passed through a single RC filter to control the input gain amplifier.

➤ **OUTPUT INTERFACE**

After carrier recovery, the demodulated output symbol must be decoded according to the constellation diagram given by DVB standard for 16, 32, 64, 128 and 256 QAM. The resulting symbols are then differentially decoded (DVB compliant) and serially provided to the FEC part.

➤ **BLOCK SYNCHRONIZATION**

At demodulator output, the length of some error bursts may exceed that which can be reliably corrected by the Reed-Solomon decoder. The implemented de-interleaving is a convolutional one (Forney) of depth 12. The first operation consists in synchronizing the de-interleaver. This is accomplished by detecting α consecutive MPEG2 sync words (or sync) which are present as the first byte of each packet.



Next, the RAM memory associated with the deinterleaver fills up and the first deinterleaved bytes are provided to the input of the Reed-Solomon decoder. The state machine of the de-interleaver goes to the control phase which counts β consecutive missed MPEG2 sync words (or sync) before declaring the system desynchronized and going back to the synchronization phase. α and β are programmable through the I2C interface. When the inverted sync word is detected at the input of the de-interleaver, the bytes provided to the Reed-Solomon decoder are inverted at the output of the deinterleaver.

➤ REED-SOLOMON DECODER

The Reed-Solomon decoder decodes the symbol stream from the de-interleaver according to the (204, 188) shortened Reed-Solomon code. Synchronization to Reed-Solomon code is defined over the finite Galois field GF (2^8). The field generator polynomial is given by :

$$G(x) = \prod_{i=0}^{15} (x + \alpha^i)$$

This Reed-Solomon decoder corrects up to eight erroneous symbols in each block. When the correction capability of the decoder is exceeded, the block is not changed and is provided as it has been entered. In this case the flag UNCOR is set and the MSB of the second byte in the MPEG2 frame is forced to one (error indicator). The correction capability of the RS decoder can be inhibited.

➤ DESCRAMBLER

In order to comply with energy dispersal requirements of radio transmission regulations and to ensure adequate binary transitions, the MPEG2 frames are scrambled at the encoder side. Dual operation is achieved at the output of the Reed-Solomon decoder using the same scrambler/descrambler. The polynomial for the pseudo random binary sequence (PRBS generator is $1 + x^{14} + x^{15}$). The PRBS registers are initialized at the start of every eight transport packets. To provide an initialization signal for the descrambler, the MPEG2 sync byte of the first transport packet is inverted from 47_{16} to $B8_{16}$. When detected, the descrambler is loaded with the initial sequence "100101010000000". The descrambler can be inhibited.

➤ INTERFACE

The VES1820X integrates an I2C interface in slave mode. This I2C interface fulfills the Philips component I2C bus specification.



INPUT - OUTPUT SIGNAL DESCRIPTION

SYMBOL	PIN NUMBER	TYPE	DESCRIPTION
CLR#	27	I	The CLR# input is asynchronous and active low, and clears the VES1820X. When CLR# goes low, the circuit immediately enters its RESET mode and normal operation will resume 4 XIN falling edges later after CLR# returned high. The I2C register contents are all initialized to their default values. The minimum width of CLR# at low level is 4 XIN clock periods.
XIN	2	I	XTAL oscillator input pin. Typically a fundamental XTAL oscillator is connected between the XIN and XOUT pins (see typical application on Error! Reference source not found. page Error! Bookmark not defined.). The XTAL frequency MUST be chosen so that the system frequency SYSCLK (= XIN * multiplying factor of the PLL) equals to 1.6 times the tuner output Intermediate Frequency : $SYSCLK = 1.6 \times IF$.
XOUT	3	O	XTAL oscillator output pin. Typically a fundamental XTAL oscillator is connected between the XIN and XOUT pins (see typical application Error! Reference source not found. page Error! Bookmark not defined.).
SACLK	18	O (5V)	Sampling CLock. This output clock can be fed to an external 9-bit ADC as the sampling clock. $SACLK = SYSCLK/2$.
FI[8:0]	5,6,7,8,12, 13,14,15,16	I	FI [8:0] is the 9-bit input of the IF signal. FI[8:0] is the output of an external A/D converter. FI[8] is the MSB. When not used, must be tied to ground.
VAGC	20	O (5V)	PWM encoded output signal for AGC. This signal is typically fed to the AGC amplifier through a single RC network (see typical application Error! Reference source not found. page Error! Bookmark not defined.). The maximum signal frequency on VAGC output is XIN/16. AGC information is refreshed every 1024 symbols.
DO[7:0]	46,49,50,51 52,53,54,55	O (3.3V)	Data Output bus . These 8-bit parallel data are the outputs of the VES1820X after demodulation, de-interleaving, RS decoding and de-scrambling. When one of the two possible parallel interfaces is selected (Parameter SERINT=0, index 20 ₁₆) then DO[7:0] is the transport stream output. When the serial interface is selected (Parameter SERINT=1, index 20 ₁₆) then the serial output is on pin DO[0] (pin 55).
OCLK	44	O (3.3V)	Output CLock. OCLK is the output clock for the parallel DO[7:0] outputs. OCLK is internally generated depending on which interface is selected.
DEN	45	O (3.3V)	Data ENable : this output signal is high when there is a valid data on output bus DO[7 :0].
UNCOR	42	O (3.3V)	UNCORrectable packet. This output signal is high when the provided packet is uncorrectable (during the 188 bytes of the packet). The uncorrectable packet is not affected by the Reed Solomon decoder, but the MSB of the byte following the sync. byte is forced « 1 » for the MPEG2 process : Error Flag Indicator (if RSI and IEI are set low in the I2C table).
PSYNC	43	O (3.3V)	Pulse SYNChro. This output signal goes high when the sync byte (47 ₁₆) is provided, then it goes low until the next sync byte. If the serial interface is selected, then PSYNC is high only during the first bit of the sync byte (47 ₁₆). See Error! Reference source not found. page Error! Bookmark not defined.
TESTO[16:0]	78,77,76,75,74	O	TESTO [16:0] is 17-bit Test output bus.

SYMBOL	PIN NUMBER	TYPE	DESCRIPTION
	71,70,69,68,67 64,63,62,61,60 57,56	(3.3V)	
IICDIV[1:0]	21,22	I	IICDIV[1:0] allow to select the frequency of the I2C internal system clock, depending on the crystal frequency. Internal I2C clock is a division of XIN by 2^{IICDIV} and must be between 6 and 20 MHz.
SADDR[1:0]	23,24	I	SADDR[1:0] are the 2 LSBs of the I2C address of the VES1820X. The MSBs are internally set to 00010. Therefore the complete I2C address of the VES1820X is (MSB to LSB) : 0, 0, 0, 1, 0, SADDR[1], SADDR[0].
SDA	26	I/O (5V)	SDA is a bidirectional signal. It is the serial input/output of the I2C internal block. A pull-up resistor (typically 4.7 k Ω) must be connected between SDA and VDD for proper operation (Open Drain output).
SCL	25	I	I2C clock input. SCL should nominally be a square wave with a maximum frequency of 400KHz. SCL is generated by the system I2C master.
TEST	19	I	Test input pin. For normal operation of the VES1820X, TEST must be grounded.
TRST	35	I	Test ReSeT. This active low input signal is used to reset the TAP controller when in boundary scan mode. In normal mode of operation TRST must be set low.
TDO	37	O (5V)	Test Data Out. This is the serial Test output pin used in boundary scan mode. Serial Data are provided on the falling edge of TCK.
TCK	33	I	Test Clock : an independant clock used to drive the TAP controller when in boundary scan mode. In normal mode of operation, TCK must be grounded.
TDI	34	I	Test Data In. The serial input for Test data and instruction when in boundary scan mode. In normal mode of operation, TDI must be set to GND.
TMS	36	I	Test Mode Select. This input signal provides the logic levels needed to change the TAP controller from state to state. In normal mode of operation, TMS must be set to VDD.
CTRL1	31	I/O (5V)	CTRL1 is equivalent to SDA I/O of VES1820X but can be tri-stated by I2C programming. It is actually the output of a switch controlled by parameter BYPIIC of register TEST (index 0F ₁₆). CTRL1 is open drain output, and therefore requires an external pull up resistor.
CTRL2	32	O (5V)	CTRL2 can be configured to be a control line output or to output SCL input. This is controlled by parameter BYPIIC of register TEST (index 0F ₁₆). CTRL2 is an open drain output and therefore requires an external pull up resistor.
IT	38	O (5V)	InTerrupt line. This active low output interrupt line can be configured by the I2C interface. See registers ITsel (index 32 ₁₆) and ITstat (index 33 ₁₆). IT is an open drain output and therefore requires an external pull up resistor.
FEL	39	O (5V)	By default FEL is a front-end lock indicator. In this case FEL is an open drain output and therefore requires an external pull up resistor. But FEL can also be configured to output a PWM signal, which value can be programmed through the I2C interface (see register PWMREF, index 34 ₁₆).
VIP	92	I	Positive input to the A/D converter. This pin is DC biased to half-supply through an internal resistor divider (2 x 10k Ω resistors). In order to remain in the range of the ADC, the voltage difference between pins VIP and VIM should be between -0.5 and 0.5 volts.
VIM	91	I	Negative input to the A/D converter. This pin is DC biased to half-



SYMBOL	PIN NUMBER	TYPE	DESCRIPTION
			supply through an internal resistor divider (2 x 10kΩ resistors). In order to remain in the range of the ADC, the voltage difference between pins VIP and VIM should be between -0.5 and 0.5 volts.
CMCAP	85	I	This pin is connected to a tap point on an internal resistor divider used to create CMO and CMI. An external capacitor of value 0.1μf should be connected between this point and ground to provide good power supply rejection from the positive supply at higher frequencies.
RBIAS	82	I	An external resistor of value 3.3kΩ should be connected between this pin and ground to provide good accurate bias currents for the analog circuits on the ADC.
VREF	88	O	This is the output of an on-chip resistor divider. An external capacitor of value 0.1μf should be connected between this point and ground to provide good power supply rejection from the positive supply at higher frequencies. Reference voltages VREFP and VREFM are derived from the voltage on VREF.
VREFP	87	O	This is a positive voltage reference for the A/D converter. It is derived from the voltage on pin VREF through an on-chip fully-differential amplifier. The voltage on this pin is nominally equal to CMO + 0.25 volts.
VREFM	86	O	This is the negative voltage reference for the A/D converter. It is derived from the voltage on pin VREF through an on-chip fully-differential amplifier. The voltage on this pin is nominally equal to CMO- 0.25 volts.
CMO	84	O	This pin provides the common-mode out voltage for the analog circuits on the ADC. It is the buffered version of a voltage derived from an on-chip resistor divider, and has a nominal value of 0.5 x VD3.
CMI	83	O	This pin provides the common-mode in voltage for the analog circuits on the ADC. It is the buffered version of a voltage derived from an on-chip resistor divider, and has a nominal value of 0.75 x VD3.
VD1	81	I	Power supply input for the digital switching circuitry (3.3V typ).
VS1	80	I	Ground return for the digital switching circuitry.
VD2	94	I	Power supply input for the analog clock drivers (3.3V typ).
VS2	93	I	Ground return for the analog clock drivers.
VD3	89	I	Power supply input for the analog circuits (3.3V typ).
VS3	90	I	Ground return for analog circuits.
VD4	95	I	Power supply input that connects to an n-well guard ring that surrounds the ADC (3.3V typ).
DVCC	96	I	3.3V supply for the digital section of the PLL.
DGND	97	I	Ground connection for the digital section of the PLL.
PLLGND	98	I	Ground connection for the analog section of the PLL.
PLLVCC	99	I	3.3V supply for the analog section of the PLL.
PPLUS	100	I	P-well bias for the analog section of the PLL. Must be tied to 0V.

FIGURE 2 : BLOCK DIAGRAM

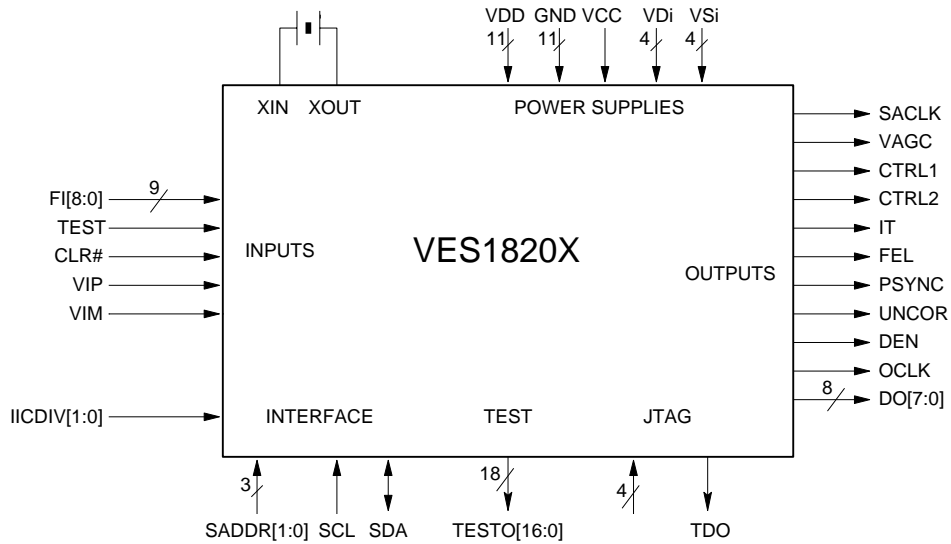


FIGURE 3 : PIN DIAGRAM

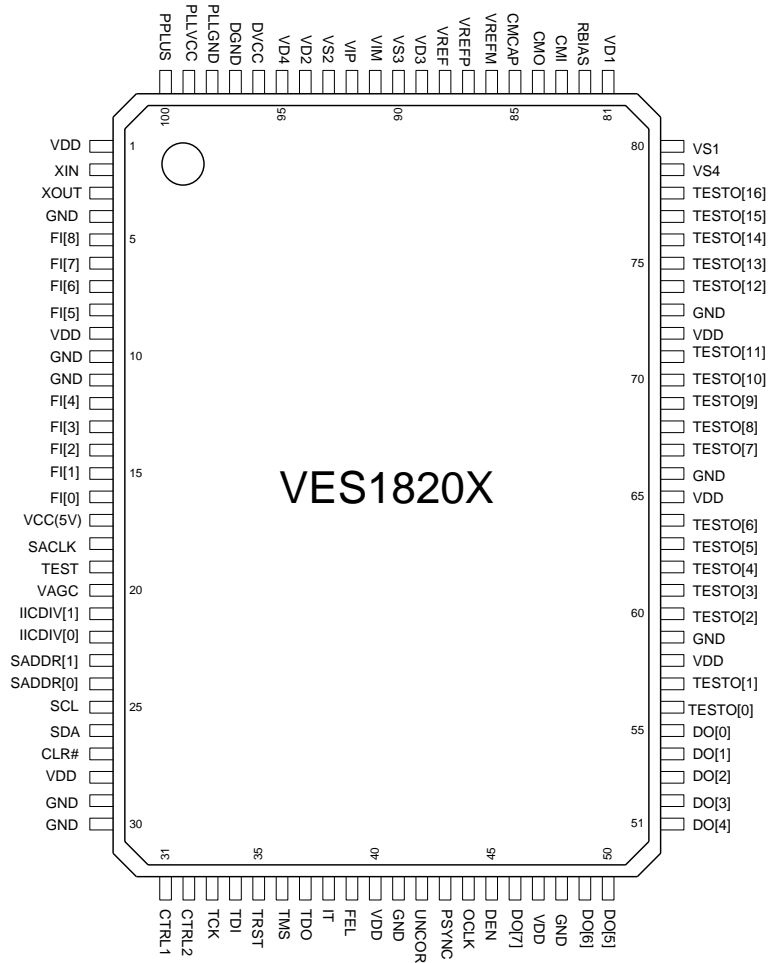


TABLE 3 : PIN DESCRIPTION

Pin	Pin Name	Direction
1	VDD	-
2	XIN	I
3	XOUT	O
4	GND	-
5	FI[8]	I
6	FI[7]	I
7	FI[6]	I
8	FI[5]	I
9	VDD	-
10	GND	-
11	GND	-
12	FI[4]	I
13	FI[3]	I
14	FI[2]	I
15	FI[1]	I
16	FI[0]	I
17	VCC	-
18	SACLK	O
19	TEST	I
20	VAGC	O
21	IICDIV[1]	I
22	IICDIV[1]	I
23	SADDR[1]	I
24	SADDR[0]	I
25	SCL	I
26	SDA	I/O
27	CLR#	I
28	VDD	-
29	GND	-
30	GND	-
31	CTRL1	I/O
32	CTRL2	OD
33	TCK	I

Pin	Pin Name	Direction
34	TDI	I
35	TRST	I
36	TMS	I
37	TDO	OD
38	IT	OD
39	FEL	OD
40	VDD	-
41	GND	-
42	UNCOR	O
43	PSYNC	O
44	OCLK	O
45	DEN	O
46	DO[7]	O
47	VDD	-
48	GND	-
49	DO[6]	O
50	DO[5]	O
51	DO[4]	O
52	DO[3]	O
53	DO[2]	O
54	DO[1]	O
55	DO[0]	O
56	TESTO[0]	O
57	TESTO[1]	O
58	VDD	-
59	GND	-
60	TESTO[2]	O
61	TESTO[3]	O
62	TESTO[4]	O
63	TESTO[5]	O
64	TESTO[6]	O
65	VDD	-
66	GND	-

Pin	Pin Name	Direction
67	TESTO[7]	O
68	TESTO[8]	O
69	TESTO[9]	O
70	TESTO[10]	O
71	TESTO[11]	O
72	VDD	-
73	GND	-
74	TESTO[12]	O
75	TESTO[13]	O
76	TESTO[14]	O
77	TESTO[15]	O
78	TESTO[16]	O
79	VS4	-
80	VS1	-
81	VD1	-
82	RBIAS	I
83	CMI	O
84	CMO	O
85	CMCAP	I
86	VREFM	O
87	VREFP	O
88	VREF	O
89	VD3	-
90	VS3	-
91	VIM	I
92	VIP	I
93	VS2	-
94	VD2	-
95	VD4	-
96	DVCC	-
97	DGND	-
98	PLLGND	-
99	PLLVCC	-
100	PPLUS	-

Notes :

- 1.All inputs (I) are TTL, 5V tolerant inputs
- 2.OD are Open Drain 5V outputs, so they must be connected to a pull-up resistor to either VDD or VCC



comatlas



comatlas

comatlas S.A., 30 rue du Chêne Germain, BP 814, 35518 CESSON-SEVIGNE Cedex, FRANCE
Phone : +33 (0)2 99 27 55 55, Fax : +33 (0)2 99 27 55 27 , Internet: www.comatlas.fr

comatlas reserves the right to make any change at anytime without notice.