

**6706,7,8 SERIES
6806,8 SERIES**

FEATURES

- Type SMA Connectors Standard
- Options from DC to 8Ghz
- High Performance, Troughline Style Structure
- Military Grade Materials and Processing
- -40 to + 125° C Operating Temperature Range

SPECIFICATIONS

| Model | 6706 | 6806 | 6707 | 6708 | 6808 |
|---|------|------|------|------|------|
| Frequency Range (GHz) | DC-2 | DC-2 | DC-4 | DC-8 | DC-8 |
| Phase Shift, min (°/GHz) | 290 | 290 | 145 | 72 | 72 |
| Phase Shift, min (°/GHz/Shaft Turn) | 9.7 | 9.7 | 4.9 | 2.4 | 2.4 |
| Insertion Phase Nom @ Min Phase Setting (°/GHz) | 540 | 550 | 290 | 170 | 180 |
| Number of Turns, min | 30 | 30 | 30 | 30 | 30 |
| VSWR max | 1.35 | 1.35 | 1.60 | 1.60 | 1.60 |
| Insertion Loss, max (dB) | 0.7 | 0.7 | 0.7 | 0.7 | 0.7 |
| Power | | | | | |
| Average (Watts) | 100 | 100 | 100 | 100 | 100 |
| Peak (Watts) | 1000 | 1000 | 1000 | 1000 | 1000 |
| Time Delay, nom @ Min Phase Setting (nsec) | 1.5 | 1.5 | 0.8 | 0.45 | 0.45 |
| Weight | | | | | |
| Ounces | 8.3 | 9.3 | 4.8 | 3.1 | 4.3 |
| Grams | 235 | 263 | 136 | 88 | 122 |

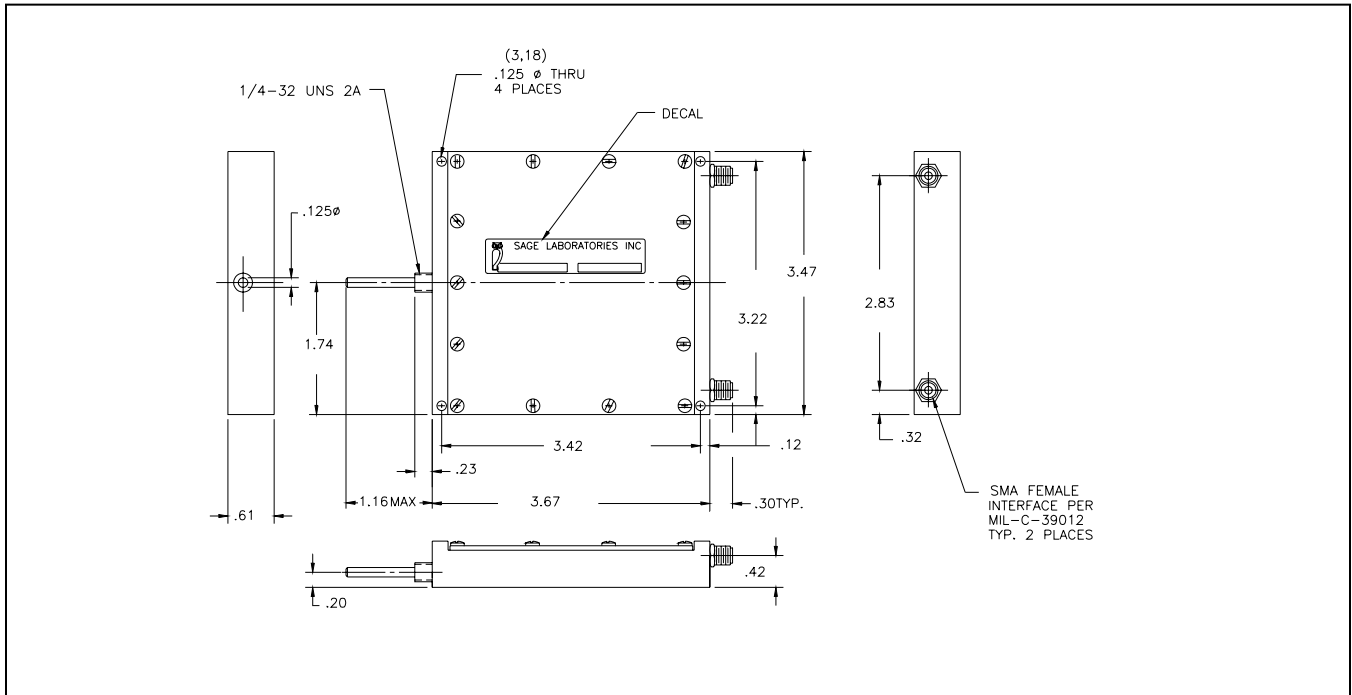
NOTES:

1. 1 Degree per GHz of Phase Shift equals 2.78 picoseconds of time delay.
2. Average and Peak Power are given at ambient temperature and altitude with Type SMA Connectors. See standard power derating curves for Phase Shifters. Power is further limited by the power threshold level of selected connector style.

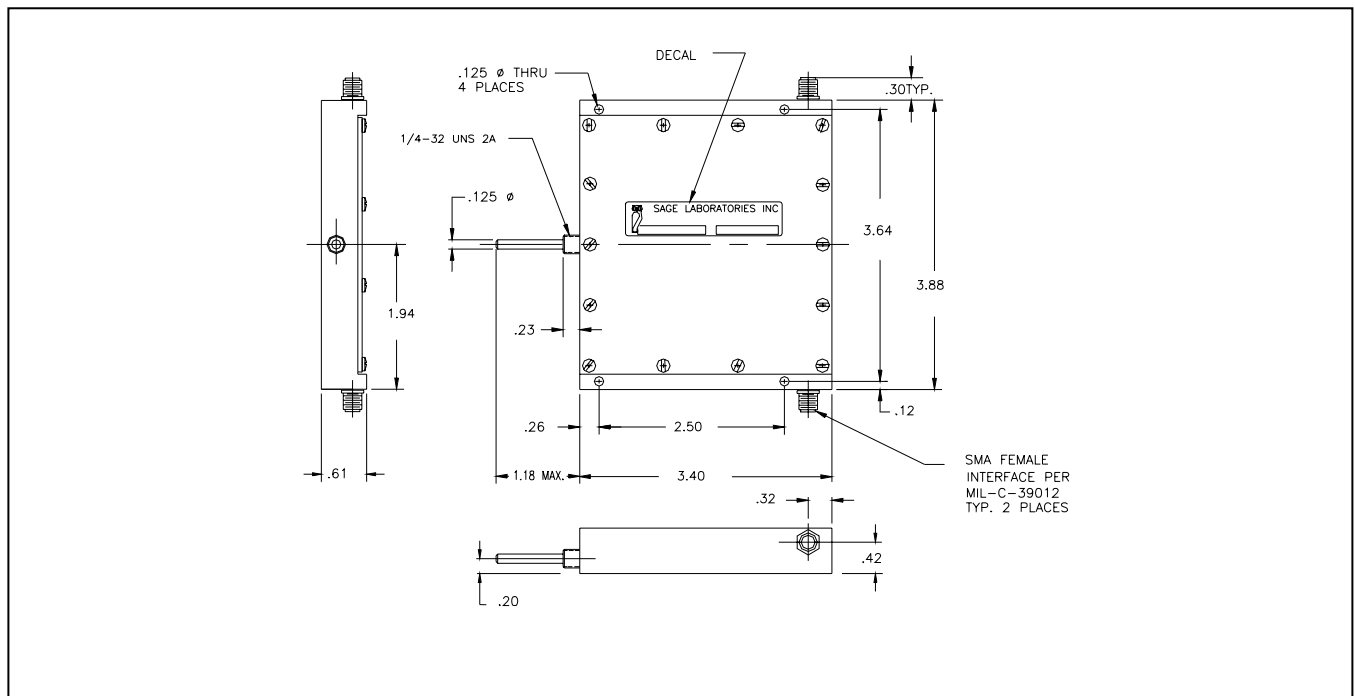


OUTLINE DRAWINGS

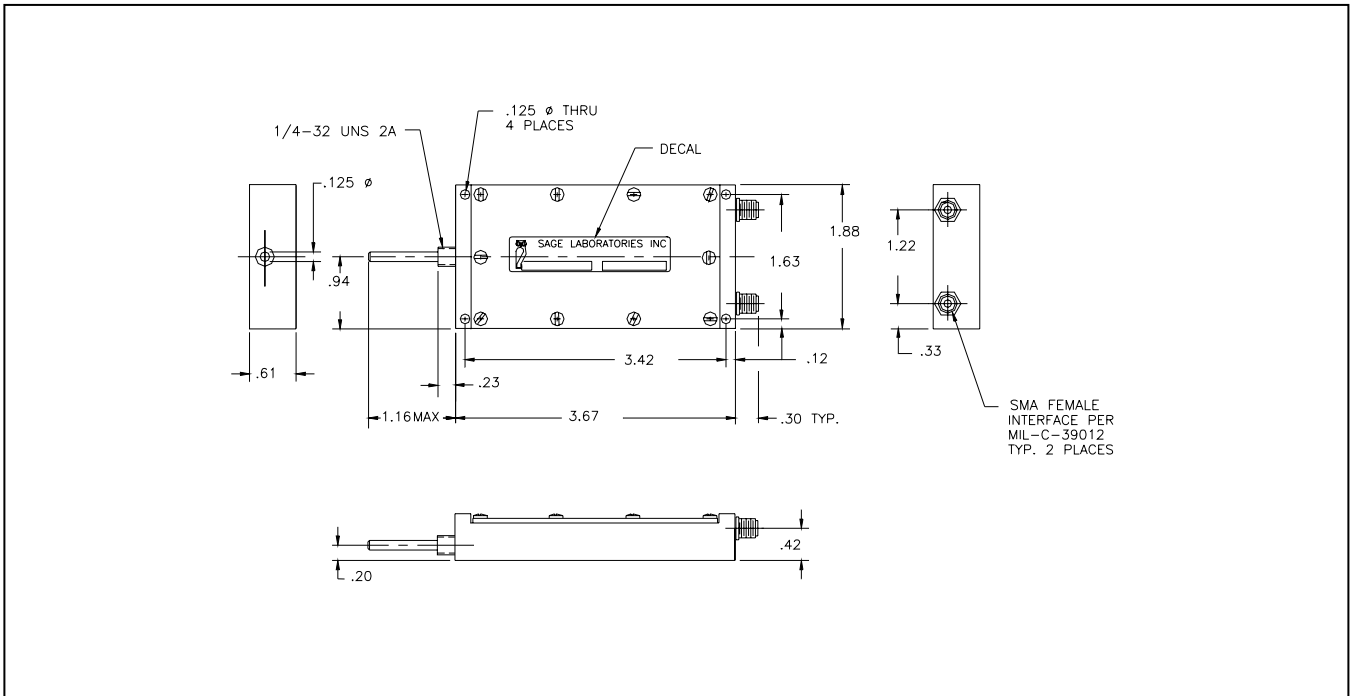
MODELS 6706



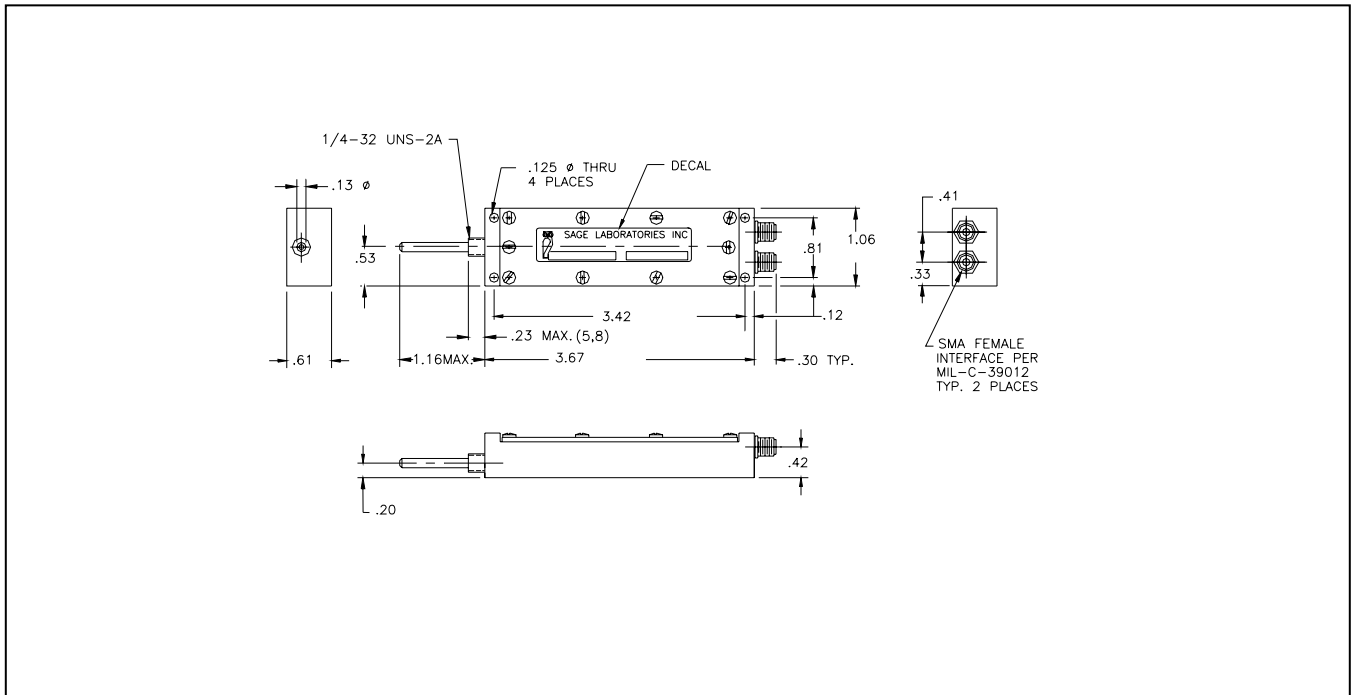
MODELS 6806



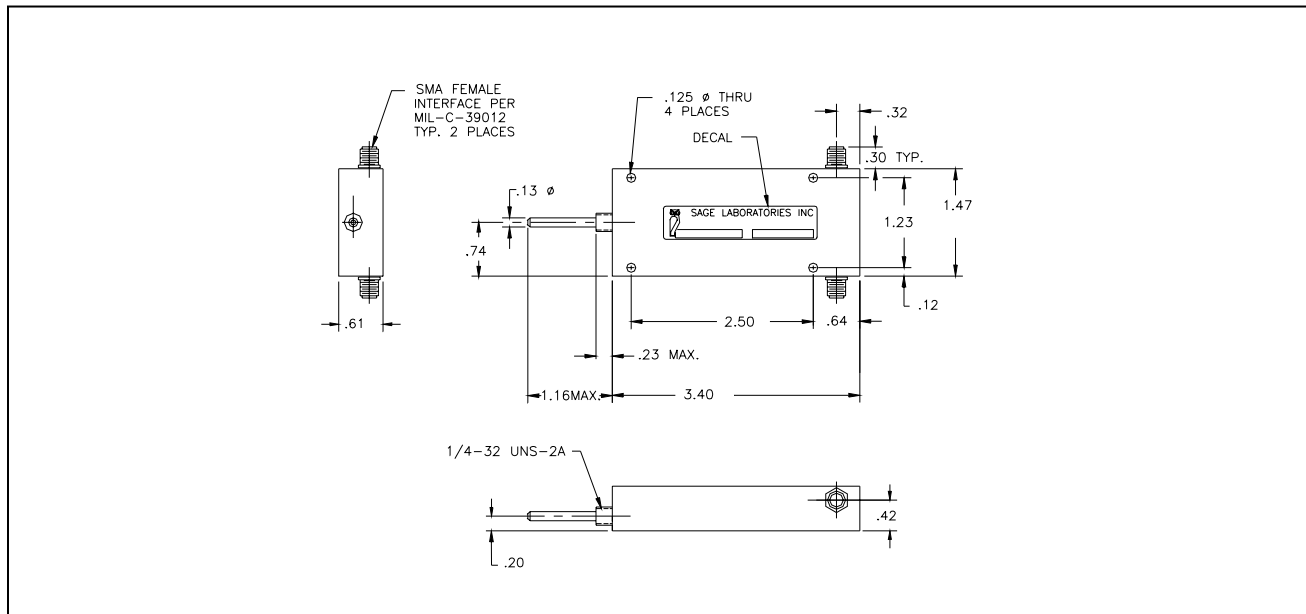
MODELS 6707



MODELS 6708



MODELS 6808



ORDERING INFORMATION

DRIVE SHAFT AND CONNECTOR OPTIONS:

1. Only the following standard control options are available. The base model is available without additional options.
2. Add suffix as designated below to the ordering model number.

| MODEL # PLUS | DESCRIPTION |
|--------------|--|
| -1 | Shaft Lock |
| -2 | Turns Counter With Built In Shaft Lock |
| -4 | Screw Driver Slot |
| -5 | Control Knob |
| -14 | Shaft Lock With Screw Driver Slot |
| -15 | Shaft Lock With Control Knob |

| (-1) SHAFT LOCK | (-2) TURNS COUNTER W/ SHAFT LOCK | (-5) CONTROL KNOB |
|-----------------|----------------------------------|--------------------------|
| | | <p>D=0.5" L=0.65</p> |

MICSELLANIOUS:

1. Sage Laboratories Inc. "Standard Warranty and Order Terms and Conditions" apply to all orders.
2. All specifications subject to change without notice.
3. Check "Ordering and Availability Listing" for delivery and ordering information.
4. Contact our local Manufacturers Representative for pricing.

Specification Revision - 081804

