

# IS22C012

## VERSATILE 10 SEC INSTANT VOICE ROM

ADVANCE INFORMATION  
FEBRUARY 1999

### FEATURES

- Minimum 10 second voice length at 6 KHz
- Versatile features for playback
- Combination of voice building blocks extends the duration of playback
- Voice data re-use saves memory space
- Four trigger pins, S1 to S4 for eight groups
- SBT for sequential play-all
- Holdable and unholdable, edge and level triggering option
- 15 ms debounce time suitable for CDS
- IRP interrupt pin for master reset
- Three programmable output pins for STP Stop Pulse, BUSY Signal, and LED
- Built-in oscillator with variable sample rate
- Single external resistor to determine sample rate
- Built-in D/A converter, EPROM
- ADPCM data compression provides high sound quality
- Optional pop noise elimination function
- C<sub>OUT</sub> pin drives speaker with a transistor
- V<sub>OUT1</sub> and V<sub>OUT2</sub> drives buzzer or speaker directly
- Auto-power down
- 2.4V-6V single power supply operation
- Low standby current (<5  $\mu$ A at 3V)
- Development tools support

### GENERAL DESCRIPTION

IS22C012 is a high quality voice synthesizer capable of varying playback duration. A proprietary ADPCM algorithm is used. The audio message is stored in a 256K bits on-chip EPROM which can store up to ten seconds of voice data at 6 KHz sample rate.

The IS22C012 eliminates the need of complicated circuitry in voice playback but still achieves high voice quality. Sounds such as human speech, animal sounds, musical sounds and even special sound effects can be synthesized. Versatile combinations in sections achieve longer playback duration. In addition, devices can be cascaded to achieve longer voice duration. Two devices can be configured in parallel in order to achieve signal mixing without an external mixer in which speech can be mixed with background music each from one of two different chips.

The IS22C012 provides wide operating voltage range from 2.4V to 6.0V. PWM digital amplifier output pins, V<sub>OUT1</sub> and V<sub>OUT2</sub> provides direct drive to buzzer or speaker.

A current output pin, C<sub>OUT</sub>, enables the device to drive a speaker through a low cost NPN transistor. No complex filtering or amplifier circuit is needed. An automatic ramp-down function eliminates undesired noise at the end of playback.

### Group of sections

The voice data memory area of the IS22C012 can be subdivided into 124 sections. Any combination of these sections will form an individual group for data playback. A maximum of eight groups are available with activation controlled by S1 to S4 pins. The SBT pin can be used to trigger multiple groups playback in sequence.

### Group Configuration

Voice within each group are combinations of different fixed memory sections of up to 124 sections. These sections are the fundamental voice building blocks for arranging playback without limiting sequencing. This provides flexibility and allows data to be re-used, beneficial for applications with many repeated sounds or words.

An example of group configuration is illustrated below:

Group No.	Section Entry
Group 1	Sec 1 + Sec 2 + Sec 3 ..... Sec 109
Group 2	Sec 3 + Sec 2
Group 3	Sec 10 + Sec 11 + Sec 12
Group 4	Sec110 + Sec 10 + Sec 5

This specification contains ADVANCE INFORMATION data. ISSI reserves the right to make changes to its products at any time without notice in order to improve design and supply the best possible product. We assume no responsibility for any errors which may appear in this publication. © Copyright 1999, Integrated Silicon Solution, Inc.

### Group Configuration *(continued)*

The entry of sections for each group is truly random and without limitation. However, there is a limit in the total number of entries for eight groups, which is 992 in the IS22C012. It is acceptable to allocate all entries into only one group or distribute out to other groups. It depends on how many groups of messages are required.

### Programmable Options

Groups in IS22C012 can have independent options. They include:

- Edge or Level trigger
- Unholdable or Holdable trigger
- Retriggerable or non-retriggerable
- LED1, LED2, Busy, and Stop pulse are configurable
- Four selections in playback frequency

### Selections in Triggering

The IS22C012 can be triggered in different ways, Edge or Level trigger, Holdable or Unholdable, Retriggerable or Non-retriggerable. The combinations of the triggering options provide versatile playback.

By enabling Retrigger, the playback can be controlled in Stop and Start mode. A trigger on any trigger pin will stop the content message and start the next message immediately.

### Selections in Playback Frequency

This option provides four choices for each group in frequency which implies it is possible to have four different sampling rates in one chip or one sample rate with a different playback

frequency. As a matter of fact, the available choices are also dependent on the pullup resistor value at the OSC pin. For example, if the fundamental frequency choice is F, it can provide choices in x1, x1-1/2, x2, x3.

### Selections in Output Buffer

There are three independent output pins, OUT1, OUT2, and OUT3, available for several combinations of LED1, LED2, Stop Pulse, and Busy Signal for each group. The following table illustrates the four different combinations.

	OUT1	OUT2	OUT3
1.	LED1	LED2	Busy
2.	STOP	LED1	LED2
3.	Busy	Stop	LED1
4.	LED2	Busy	Stop

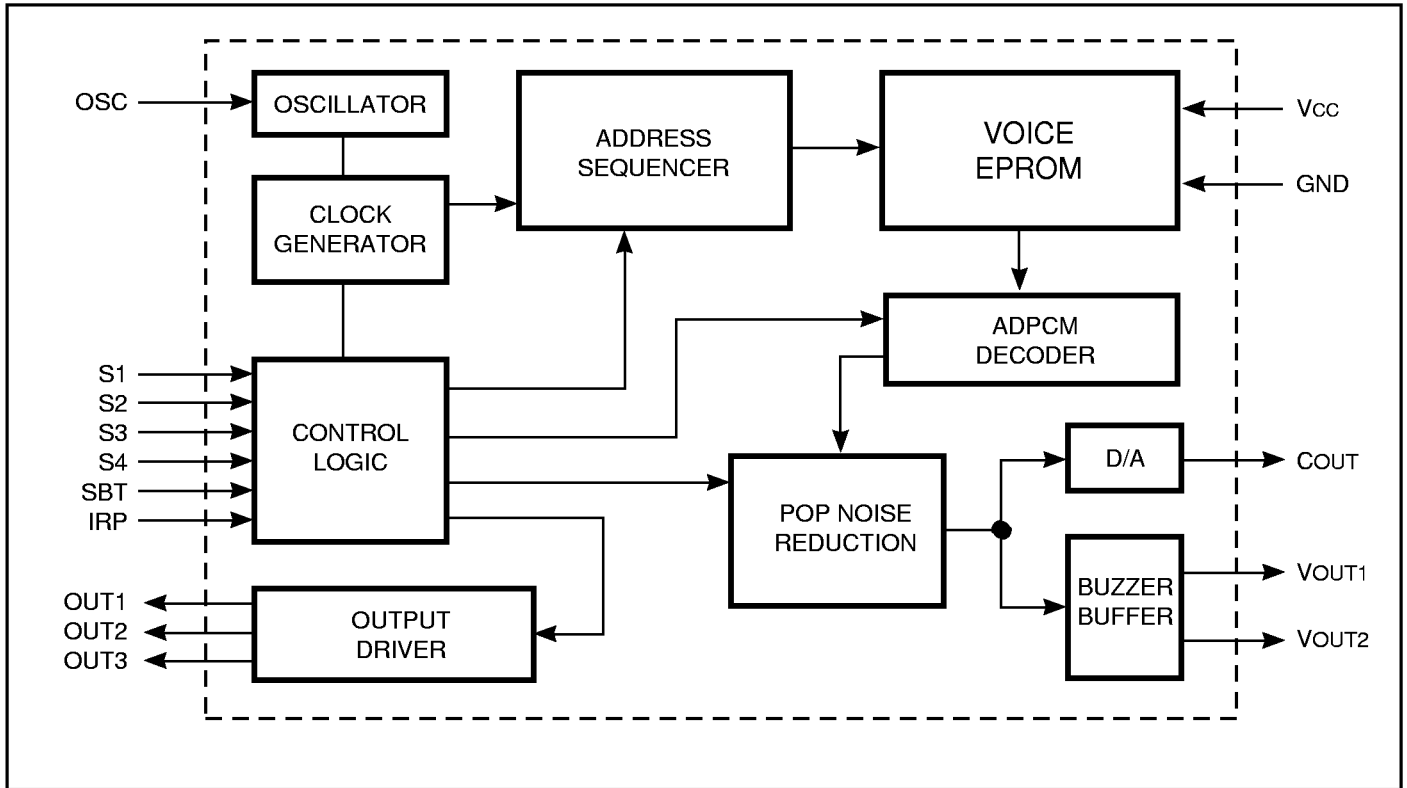
LED1 and LED2 are complemented outputs flashing at approximately a 3 Hz rate. Stop pulse (STOP) gives a 15 ms positive pulse at the end of the playback for each Group with option have or do not have the Stop pulse.

Busy is active high and Section dependent but not Group dependent. Even if same section in different group may have different output in Busy output. For instance, BUSY can be high for Section 4 in Group 1 but low in Group 4. BUSY can be used as a synchronous signal. During standby mode all three outputs must be low.

### Software Support

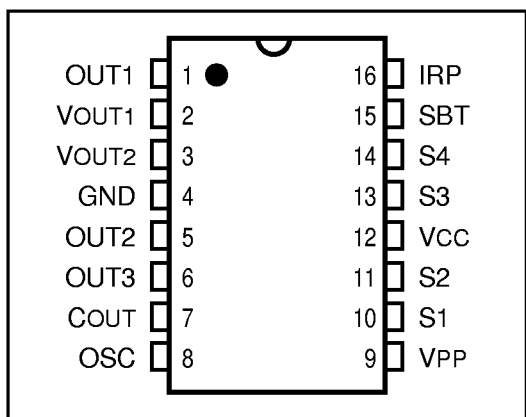
ISSI provides dedicated software to the customer. With this tool, the customer can compose their own messages and configure the chip to fit into their applications very easily.

**BLOCK DIAGRAM**



## PIN CONFIGURATIONS

300-mil PDIP



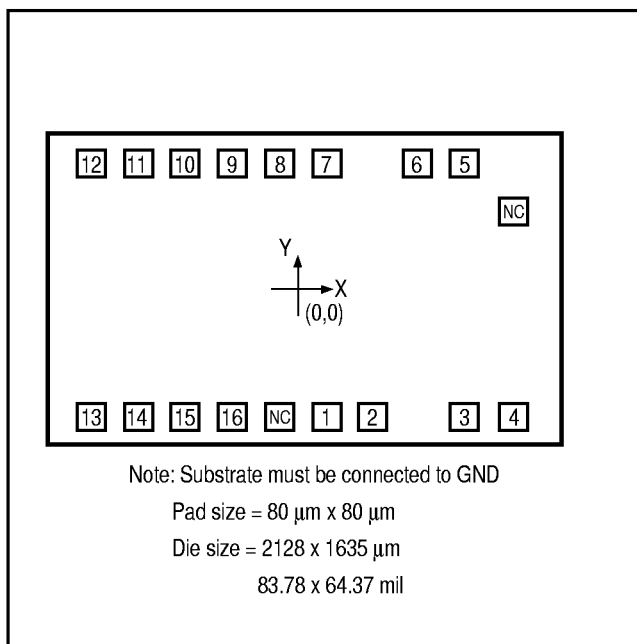
## PIN DESCRIPTION

OUT1	Programmable output 1
OUT2	Programmable output 2
OUT3	Programmable output 3
VOUT1	PWM audio signal output for buzzer and speaker
VOUT2	PWM audio signal output for buzzer and speaker
GND	Power ground
COUT	Current output from internal DAC for speaker playback
OSC	Oscillator resistor pin to control sampling frequency
VPP	Program power supply, no connect when voice playback
S1	Trigger switch 1, internal pull low, active high
S2	Trigger switch 2, internal pull low, active high
Vcc	Positive power supply
S3	Trigger switch 3, internal pull low, active high
S4	Trigger switch 4, internal pull low, active high
SBT	Sequential trigger, internal pull low, active high
IRP	Interrupt to stop playback, internal pull low, active high

**Note:**

- The following pins are used to program data into the memory: pins 4, 5, 6, 8, 9, 12, 15 and 16.

## BONDING DIAGRAM



**Note:** Programming requires connection to pins 4, 5, 6, 8, 9, 12, 15, and 16.

## BONDING PARAMETERS

Pin	Name	X	Y
1	OUT1	204	-678
2	VOUT1	423	-678
3	VOUT2	718	-678
4	GND	893	-678
5	OUT2	786	677
6	OUT3	590	677
7	COUT	167	677
8	OSC	-89	677
9	VPP	-306	677
10	S1	-483	677
11	S2	-691	677
12	Vcc	-899	677
13	S3	-796	-678
14	S4	-588	-678
15	SBT	-380	-678
16	IRP	-172	-678

**ABSOLUTE MAXIMUM RATINGS**

Symbol	Parameter	Value	Unit
V <sub>CC</sub> - GND	Terminal Voltage with Respect to GND	-0.5 to +7.0	V
V <sub>IN</sub>		GND - 0.3 < V <sub>IN</sub> < V <sub>CC</sub> + 0.3	V
V <sub>OUT</sub>		GND < V <sub>OUT</sub> < V <sub>CC</sub>	V
T <sub>A</sub>	Operating Temperature	-10 to +85	°C
T <sub>STG</sub>	Storage Temperature	-55 to +125	°C

**DC CHARACTERISTICS**

Symbol	Parameter Description	Test Conditions	Min.	Typ.	Max.	Unit
V <sub>CC</sub>	Operating Voltage		2.4	3.0	6.0	V
I <sub>SB</sub>	Standby Current	V <sub>CC</sub> = 3.0V, I/O Open	—	1	5	μA
I <sub>OP</sub>	Operating Current	V <sub>CC</sub> = 3.0V, I/O Open	—	—	100	μA
V <sub>IH</sub>	Input HIGH Voltage	V <sub>CC</sub> = 3.0V	2.5	3.0	3.5	V
V <sub>IL</sub>	Input LOW Voltage	V <sub>CC</sub> = 2.0V	-0.3	0	0.3	V
I <sub>OH</sub>	V <sub>OUT</sub> HIGH Operating Current	V <sub>CC</sub> = 3.0V, V <sub>OUT</sub> = 3.0V	—	-12	—	mA
I <sub>OL</sub>	V <sub>OUT</sub> LOW Operating Current	V <sub>CC</sub> = 3.0V, V <sub>OUT</sub> = 0V	—	12	—	mA
I <sub>CO</sub>	C <sub>OUT</sub> Operating Current	V <sub>CC</sub> = 3.0V, V <sub>COUT</sub> = 0.7V	—	-2	—	mA
I <sub>STPH</sub>	STP HIGH Operating Current	V <sub>CC</sub> = 3.0V, V <sub>STP</sub> = 3.0V	—	-5	—	mA
I <sub>STPL</sub>	STP LOW Operating Current	V <sub>CC</sub> = 3.0V, V <sub>STP</sub> = 0V	—	5	—	mA
I <sub>LED</sub>	LED Output Current	V <sub>CC</sub> = 2.2V - 6.0V	6	8	10	mA
ΔF/F	Frequency Stability	(F <sub>osc</sub> [3V] - F <sub>osc</sub> [3.5V]) / F <sub>osc</sub> (3.0V)	—	—	5	%

**SAMPLING FREQUENCY vs  
Rosc FOR IS22C012**

Common Sampling Rate vs. Oscillator Resistor

Sampling Frequency KHz	Rosc Kohm
5.0	290
5.5	262
6.0	240
6.5	219
7.0	201
7.5	187
8.0	174
8.5	162
9.0	153
9.5	143
10.0	135
10.5	127
11.0	120
11.5	108
12.0	108
22.0	54

**SAMPLING FREQUENCY vs  
Rosc FOR IS22C012**

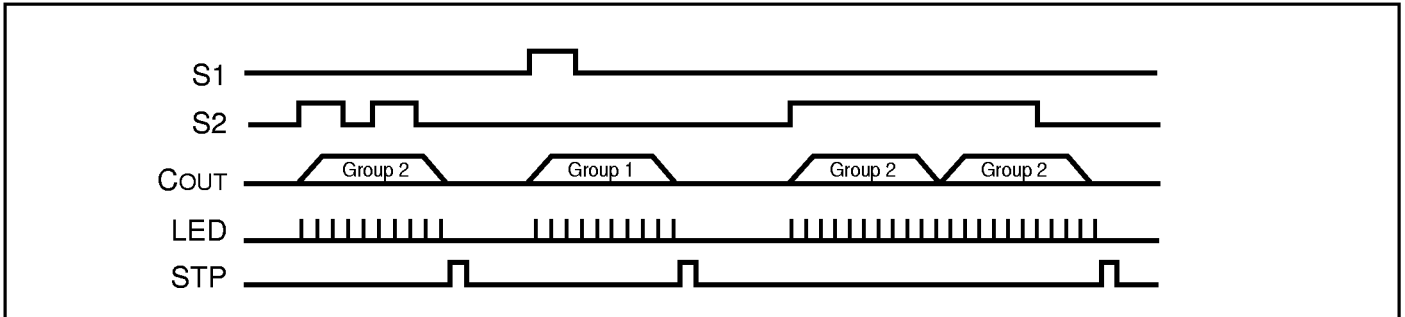
Common Resistors vs. Sampling Rate

Rosc Kohm	Sampling Frequency KHz
270	5.2
240	6
220	6.5
200	7.1
180	7.875
160	8.72
150	9.25
130	10.5
120	11.2
110	12.5
100	13
91	14
82	16.3

**TIMING WAVEFORMS**

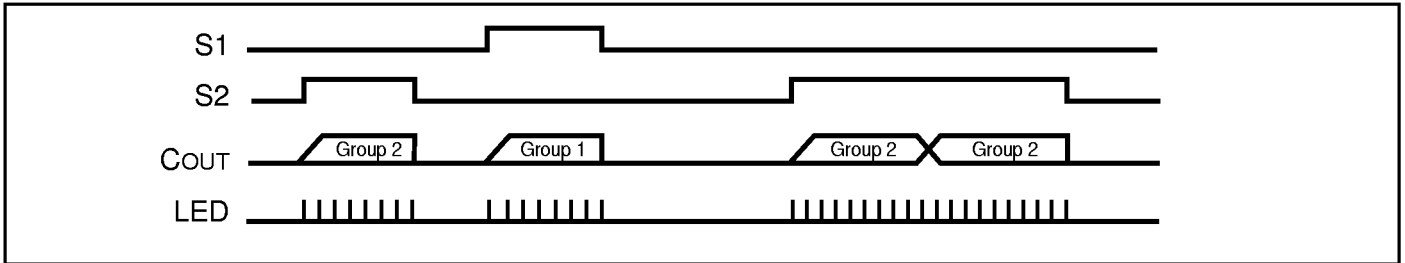
**1. Level, Unholdable, Non-retriggerable**

- a. Trigger is shorter than a Group output      b. Trigger is longer than a Group output



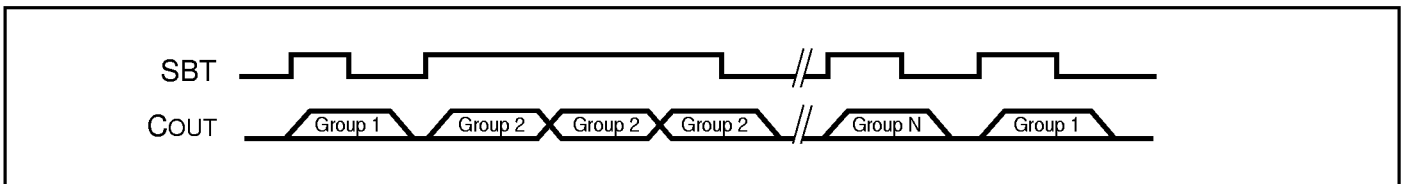
**2. Level Holdable**

- a. Trigger is shorter than a Group output      b. Trigger is longer than a Group output

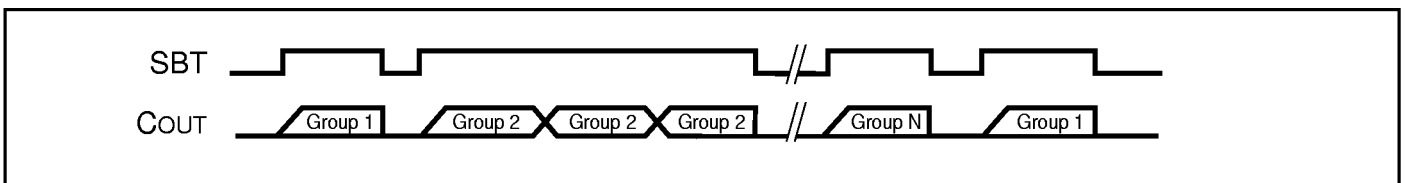


**3. Single Button Trigger (SBT), Sequential**

**a. Level Unholdable**



**b. Level Holdable**

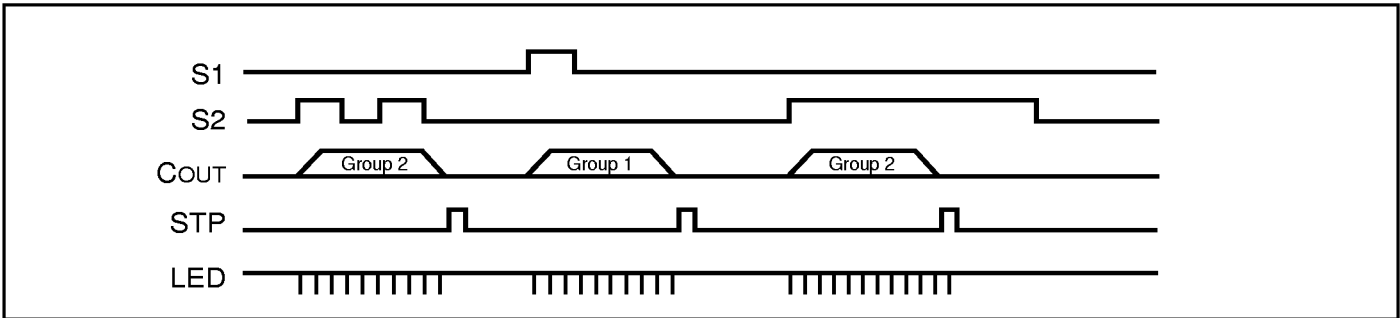


Where N is up to 8.

**4. Edge, Unholdable, Non-retriggerable**

a. Trigger is shorter than a Group output

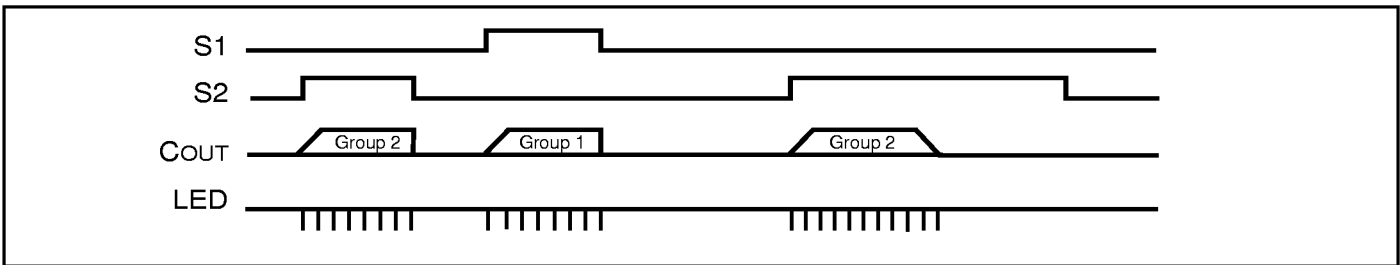
b. Trigger is longer than a Group output



**5. Edge Holdable**

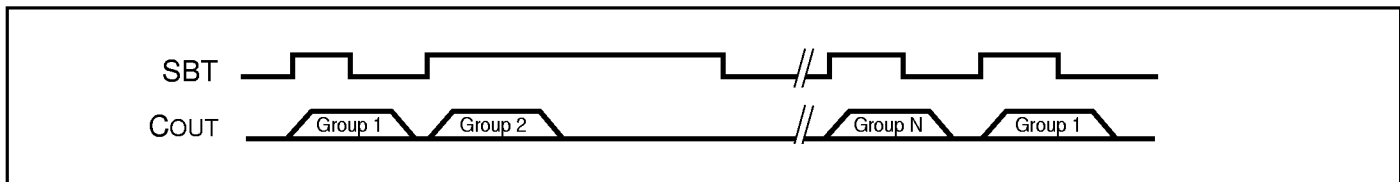
a. Trigger is shorter than a Group output

b. Trigger is longer than a Group output

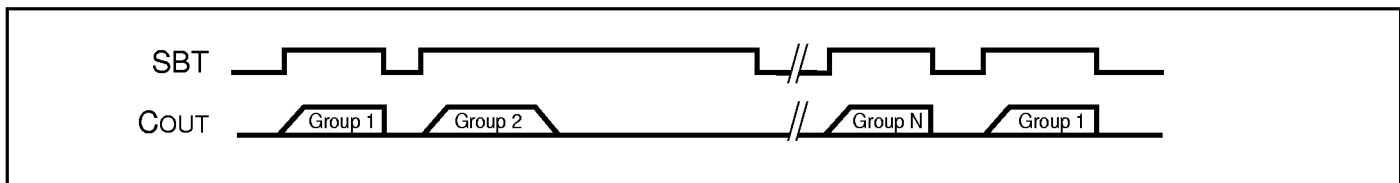


**6. Single Button Trigger (SBT), Sequential**

a. Edge Unholdable



b. Edge Holdable

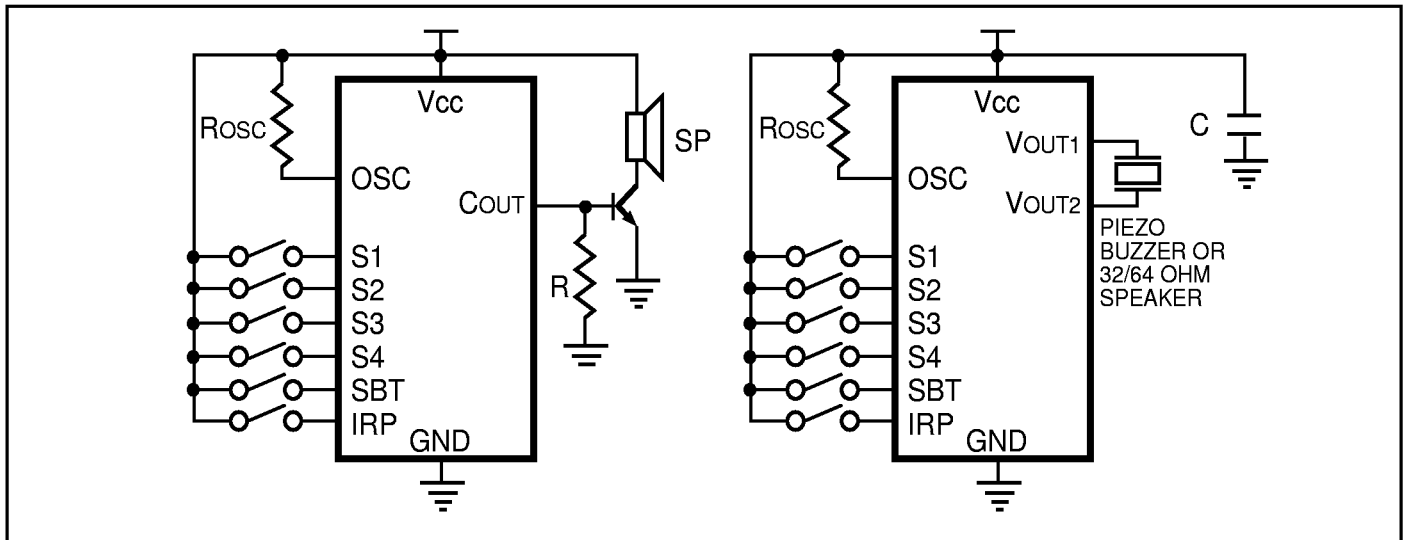


Where N is up to 8.

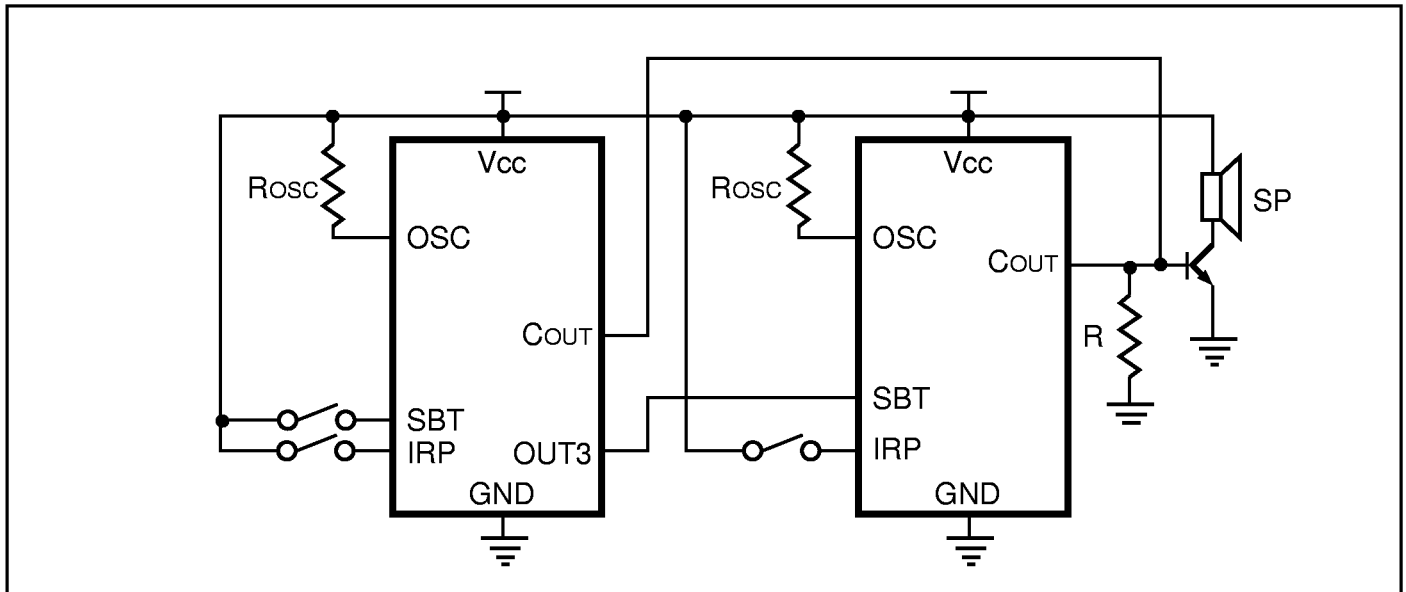


## APPLICATION CIRCUITS

## TYPICAL APPLICATION



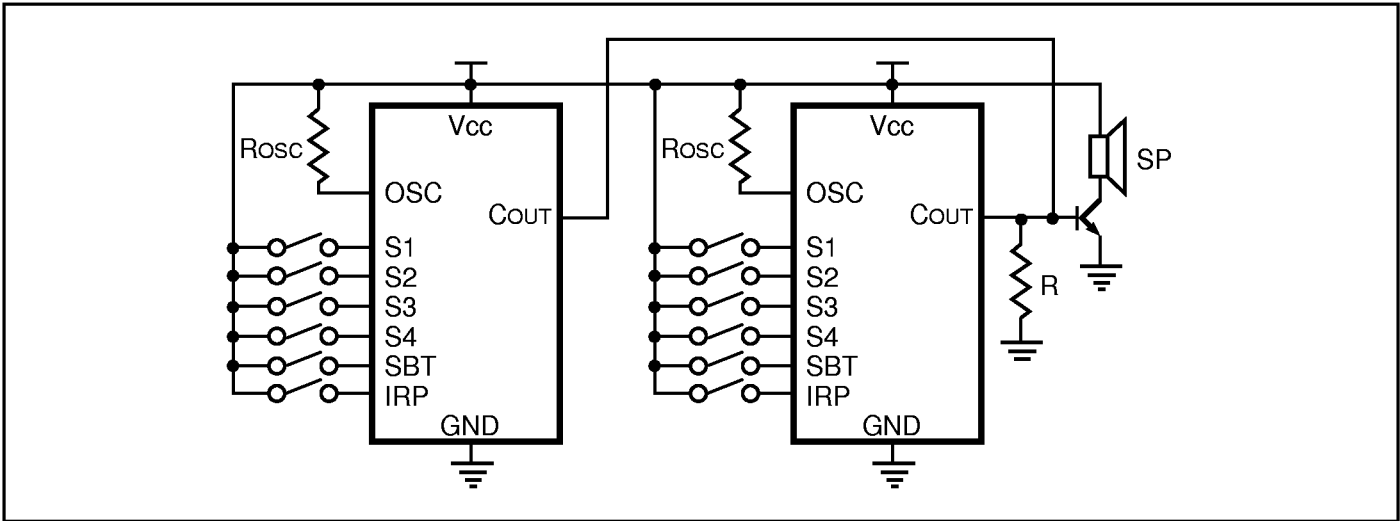
## CASCADE APPLICATION

**Notes:**

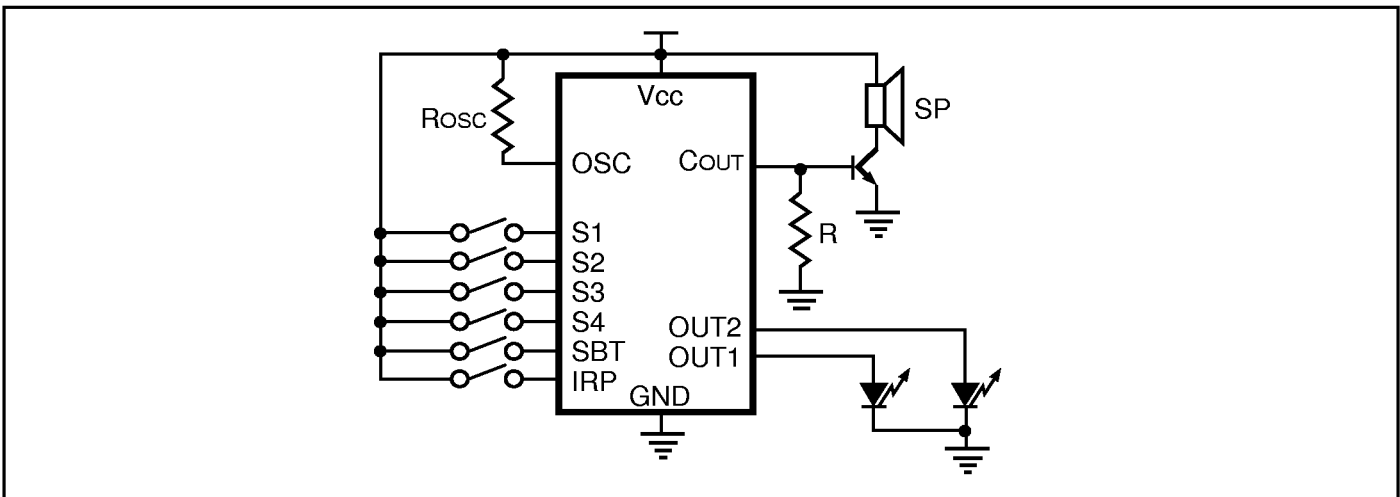
1. To directly drive a speaker or buzzer, C is needed ( $C = 0.1 \mu\text{F}$ ).
2.  $R = 330 \text{ Ohm}$  (if using transistor 8050 and  $V_{cc} = 4.5\text{V}$ ).
3.  $SP = 8 \text{ Ohm}$  speaker.
4. To determine the value of  $R_{osc}$ , refer to the Sampling Frequency vs.  $R_{osc}$  tables on page 6.

## APPLICATION CIRCUITS

## PARALLEL APPLICATION



## LED APPLICATION

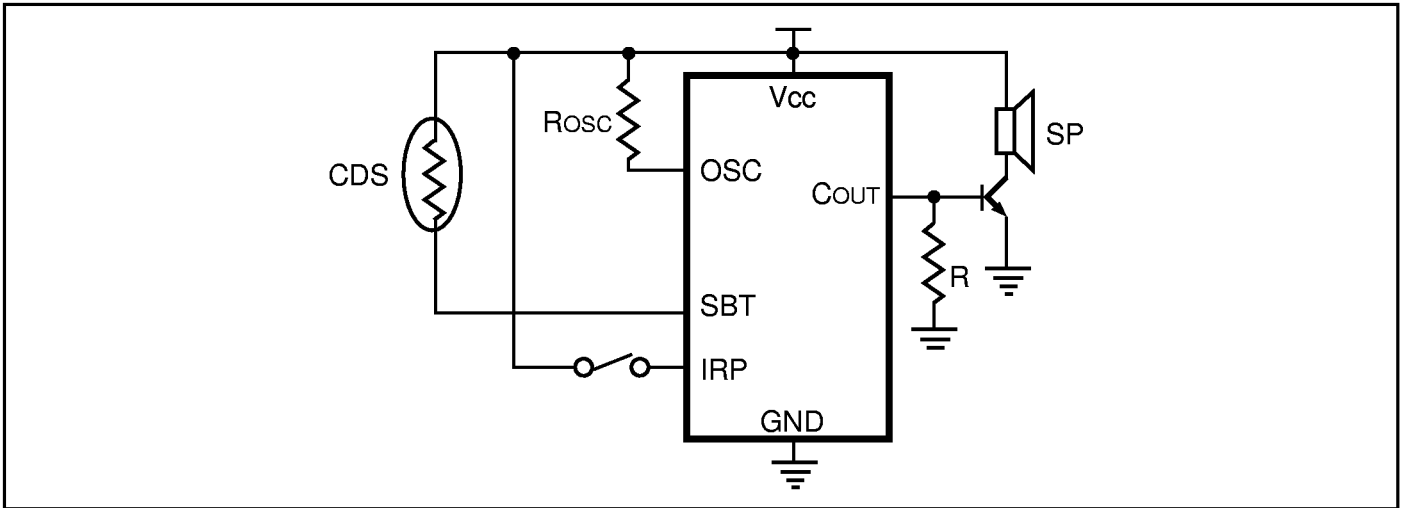
**Notes:**

The following are typical values:

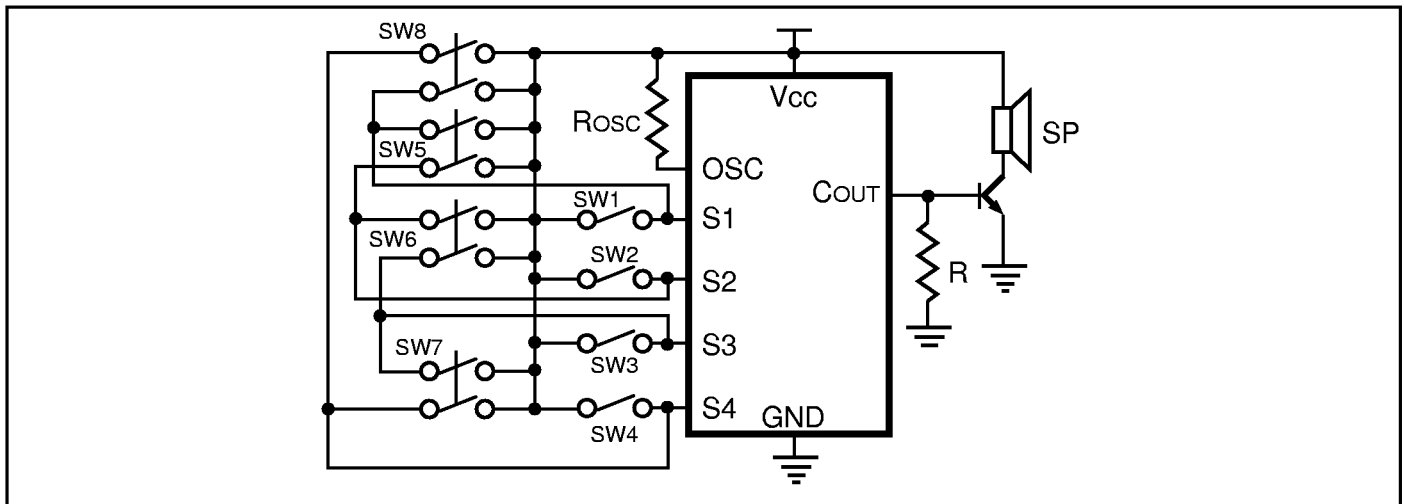
1.  $\beta$  of NPN transistor > 130.
2. SP = 8 $\Omega$ , 1/4W.
3. Piezo buzzer resonant frequency = 1 KHz.

APPLICATION CIRCUITS

CDS APPLICATION



8-SEGMENT TRIGGER APPLICATION



**ORDERING INFORMATION****Commerical Range: 0°C to +70°C**

Order Part No.	Package
IS22C012X	Unpackaged
IS22C012P	300-mil Plastic DIP

## NOTICE

Integrated Silicon Solution, Inc., reserves the right to make changes to the products contained in this publication in order to improve design, performance or reliability. Integrated Silicon Solution, Inc. assumes no responsibility for the use of any circuits described herein, conveys no license under any patent or other right, and makes no representation that the circuits are free of patent infringement. Charts and schedules contained herein reflect representative operating parameters, and may vary depending upon a user's specific application. While the information in this publication has been carefully checked, Integrated Silicon Solution, Inc. shall not be liable for any damages arising as a result of any error or omission.

Integrated Silicon Solution, Inc. does not recommend the use of any of its products in life support applications where the failure or malfunction of the product can reasonably be expected to cause failure of the life support system or to significantly affect its safety or effectiveness. Products are not authorized for use in such applications unless Integrated Silicon Solution, Inc. receives written assurances, to its satisfaction, that: (a) the risk of injury or damage has been minimized; (b) the user assumes all such risks; and (c) potential liability of Integrated Silicon Solution, Inc. is adequately protected under the circumstances.

Copyright 1999 Integrated Silicon Solution, Inc.

Reproduction in whole or in part, without the prior written consent of Integrated Silicon Solution, Inc., is prohibited.

ISSI®

***Integrated Silicon Solution, Inc.***

2231 Lawson Lane  
 Santa Clara, CA 95054  
 Tel: 1-800-379-4774  
 Fax: (408) 588-0806  
 E-mail: sales@issi.com  
**www.issi.com**