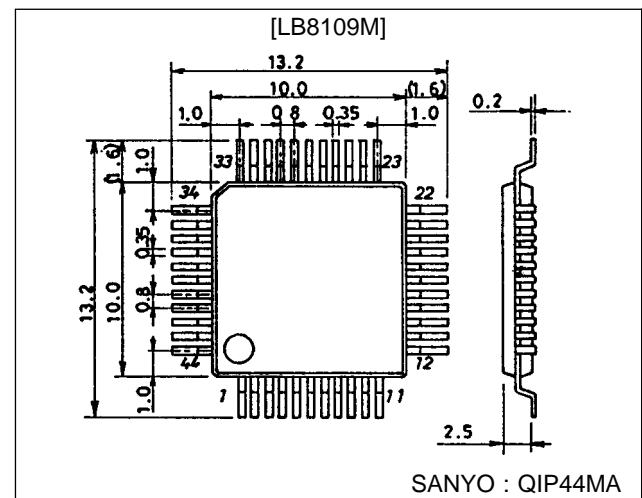


**LB8109M****Actuator Driver for Portable CD Players****Overview**

The LB8109M is an actuator driver IC designed for portable CD players that operate at 2.4 V (two Ni-Cd batteries) or 3.0 V (two dry cells).

Package Dimensions

unit : mm

3148-QIP44MA**Functions and Features**

- H bridge drivers (output dynamic range maximum is about 2 V) on chip for four channels to drive each CD actuator (the focus coil, the tracking coil, the spindle motor, and the sled motor).
- Step-up circuit (voltage to be set by an external resistor) on chip that is used to apply voltage to the CD DSP, ASP and microcontroller. Center-tap coil for step-up circuit makes it possible to supply the driver control voltage. (However, the drive Tr, L, C, and Di are all external.)
- Oscillator circuits for each converter on chip. (C and R are external.)
- Four-channel driver control output is divided into two groups (the focus/tracking group and the spindle/sled group) for minimum loss at double-speed play.
Higher operating voltage in each group is converted to power supply of each 2ch H bridge driver by PMW conversion. (However, the PWM PNP-Tr, NPN-Tr, L, C, and Di are all external.)
- Sled motor driving mode is switchable between step drive mode for lower power dissipation, and normal V-type drive mode. (The other three channels are fixed to V-type.)
- In the spindle motor drive circuit, the control gain can be doubled for double-speed play. (Switching port provided.)
- PWM step-down circuit for external power operates when external power (8 V or more) is supplied.
In this function, external power is converted to V_{CC} power supply, and two type voltage setting is possible.
In play mode, step-up voltage for DSP has to be set lower than V_{CC} , but in charging the battery, it has to be set higher than V_{CC} .
So step-down voltage (V_{CC}) setting of two types is possible with two pairs of external resistor. (Switching port is provided.) (However, the PWM PNP-Tr, NPN-Tr, L, C, and Di are all external.)
- Battery pulse charging function on chip. (However, the drive NPN-Tr, and the current feedback C and R are external.)
- Having one 358-type OP amplifier on chip, it is suitable for a variety of applications. (Power supply: V_{CD})
- The system can be started up and stopped by outputs from the microcontroller.
- Actuator muting function on chip (for all four channels simultaneously).
- Thermal shutdown circuit on chip.

Specifications

Absolute Maximum Ratings at $T_a = 25^\circ\text{C}$

Parameter	Symbol	Conditions	Ratings	Unit
Maximum supply voltage	V_{CCmax}		7	V
V_{CD} pin input voltage	V_{CDmax}		10	V
H bridge output current	I_{OUTmax}	Maximum per channel is 400 mA.	800	mA
Allowable power dissipation	$Pd\ max$	Independant IC	700	mW
Operating temperature	T_{opr}		-20 to +75	$^\circ\text{C}$
Storage temperature	T_{stg}		-55 to +150	$^\circ\text{C}$

Allowable Operating Ranges at $T_a = 25^\circ\text{C}$

Parameter	Symbol	Conditions	Ratings	Unit
Supply voltage	V_{CC}		1.6 to 5.0	V
V_{CD} pin input voltage	V_{CD}		3.6 to 9.0	V
V_{CC} drop setting voltage when external voltage input is applied	$V_{CC(EXT)}$		3.0 to 5.0	V

Electrical Characteristics at $T_a = 25^\circ\text{C}$, $V_{CC} = 3\text{ V}$, $V_{CD} = 4\text{ V}$

Parameter	Symbol	Conditions	min	typ	max	Unit
[Power Supply Block]						
Standby current drain	I_{CCO}	S/S = [H], the total of V_{CC} and V_{CD}			20	μA
V_{CC} no-signal current drain	I_{CC}	S/S = [L], V_{CC} line only		7.0	10.0	mA
V_{CD} no-signal current drain	I_{CD}	S/S = [L], with no driver input		5.0	8.0	mA
[Externally set step-up circuit]						
ASP drive output current	$I_{O\ ASPDRV}$	$V_{ASP} = 1\text{ V}$	2.2	2.8	3.4	mA
Reference voltage of step-up circuit	$V_{ref\ ASP}$	Determined at ASP drive pin	1.23	1.28	1.33	V
V_{ASP} pin input bias current	$I_{B\ V\ ASP}$	$V_{ASP} = 1.5\text{ V}$			200	nA
UPBASE pin saturation voltage	$V_{O\ UPBASE}$	$I_O = 1\text{ mA}$			0.2	V
Load regulation	$R_{LD\ ASP}$	$V_{ASP} = 3.5\text{ V}$, $L = 30\ \mu\text{H}$, $C = 220\ \mu\text{F}$			1000	mV/A
Line regulation	$R_{LN\ ASP}$	$V_{ASP} = 3.5\text{ V}$, $L = 30\ \mu\text{H}$, $C = 220\ \mu\text{F}$			100	mV/V
Minimum off duty	$D_{min\ ASP}$			20		%
[S/S Pin Function]						
S/S start voltage	V_{SSON}				$V_{CC}-1.0$	V
S/S off voltage	V_{SSOFF}		$V_{CC}-0.5$			V
[H Bridge Output Block, PWM Block]						
Output saturation voltage	$V_{H\ sat}$	$I_O = 200\text{ mA}$, TOP + BOTTOM		0.30	0.45	V
V_{OUT} pin maximum output voltage	$V_{OUT\ max}$			2.25		V
PWM applied offset voltage	V_{PWMOFF}	At mute state (each output = 0)	0.23	0.26	0.29	V
DNB – 1,2 pins output current	$I_{o\ DNB1,2}$			$V_{OUT}/600$		A
Load regulation	$R_{LD}V_{OUT}$	$V_{OUT} = \text{max}$, $L = 30\ \mu\text{H}$			1000	mV/A
Line regulation	$R_{LN}V_{OUT}$	$V_{OUT} = \text{max}$, $L = 30\ \mu\text{H}$			100	mV/V
[Drive Control Block]						
CH1 to 4 input voltage range	V_{IN1-4}		0.5		$V_{CD}-0.5$	V
ASP REF input voltage range	V_{ASPR}		1.2		$V_{CD}-1.3$	V
Input bias current	$I_{B\ IN}$	Each $V_{IN} = V_{ASP\ REF} = 2\text{ V}$			2.0	μA
Input offset voltage	$V_{off\ IN}$	$V_{ASP\ REF} = 2\text{ V}$	-30		+30	mV
CH1,2,4 transfer gain	G_{124IN}	$R_L = 10\ \Omega$	7.1	8.3	9.5	dB
CH3 L side transfer gain	G_{3LIN}	$R_L = 10\ \Omega$	7.1	8.3	9.5	dB
CH3 H side transfer gain	G_{3HIN}	$R_L = 10\ \Omega$	13.6	14.8	16.0	dB

Continued on next page.

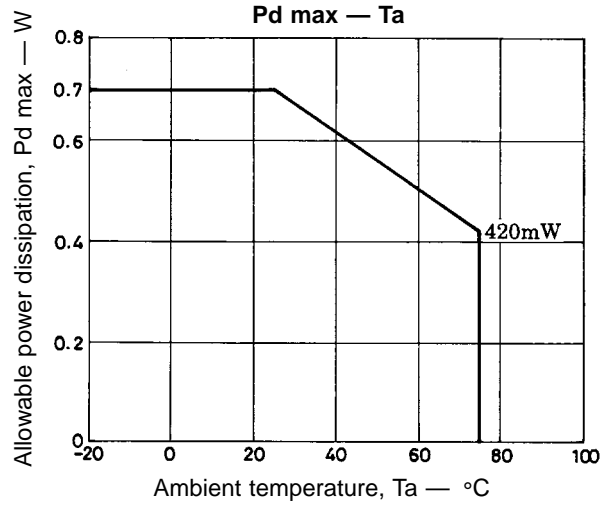
LB8109M

Continued from preceding page.

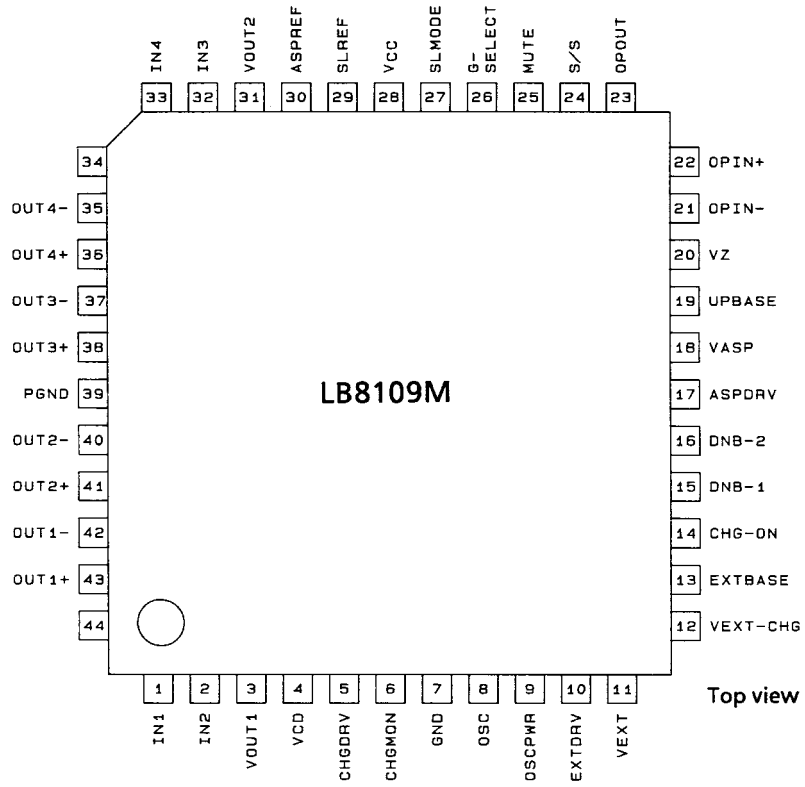
Parameter	Symbol	Conditions	min	typ	max	Unit
Negative/positive transfer gain difference	ΔG_{IN}	$R_L = 10 \Omega$	-1.0	0	+1.0	dB
Input dead zone voltage range	V_{DZ}	$R_L = 10 \Omega$, output voltage difference 5 mV or less	0		30	mV
G-SELECT pin low-gain side selection voltage	$V_{GSELL-TH}$		2.0			V
G-SELECT pin high-gain side selection voltage	$V_{GSELH-TH}$				1.0	V
[SLED Drive Circuit]						
SL REF pin input voltage range	$V_{SL REF}$		$V_{ASP REF}+0.1$		$V_{CD}-1.0$	V
SL REF pin input bias current	$I_{B SL REF}$	$V_{SL REF} = 2 V$			200	nA
Positive side setting offset voltage between IN4 and SL REF	$V_{off SL REF}$	$V_{SL REF} = 2.3 V$, $V_{ASP REF} = 2 V$	-20		+20	mV
Dual side step width difference voltage	$V_{SL DIFF}$	$V_{SL REF} = 2.3 V$, $V_{ASP REF} = 2 V$	-25		+25	mV
SL MODE pin high voltage	$V_H SL MODE$		2.0			V
SL MODE pin low voltage	$V_L SL MODE$				1.0	V
[Muting Block]						
Mute on voltage	$V_{ON MUTE}$		2.0			V
Mute off voltage	$V_{OFF MUTE}$				1.0	V
[OP Amplifier Block]						
Input offset voltage	$V_{OFF OP}$		-5		+5	mV
Input bias current for each input	$I_{B OP}$	$OPin(+) = OPin(-) = 2 V$			200	nA
Common-mode input voltage range	$V_{CM OP}$				$V_{CD}-1.5$	V
Open-loop voltage gain	$G_V OP$	at $f = 10 kHz$	31	34	37	dB
[External Voltage Input Block]						
Minimum operating input voltage when external voltage input is applied	$V_{I EXT}$	$R_{IN} = 1 k\Omega$	8.0			V
EXTDRV pin output current	$I_{O EXT DRV}$	$V_{EXT} = 1 V$ (CHG-ON [L])	170	210	250	μA
VZ pin voltage	V_Z	$V_{EXT} = 10 V$, $R_{IN} = 1 k\Omega$	6.4	6.9	7.4	V
VZ pin inflow current	I_{VZ}				20	mA
V_{EXT} , $V_{EXT-CHG}$ pin Input bias current	$I_{B EXTCHG}$ $I_{B EXT}$	$V_{EXT} = 1.5 V$ $V_{EXT-CHG} = 1.5 V$ (CHG-ON [H])			200	nA
V_{EXT} , $V_{EXT-CHG}$ pin Step-up circuit reference voltage	$V_{ref E-CHG}$ $V_{ref EXT}$	Both determined at EXTDRV pin EXT-CHG side: CHG-ON [H]	1.23	1.28	1.33	V
EXTBASE pin saturation voltage	$V_{EXTBASE}$	$I_O = 1 mA$			0.2	V
[OSC Block]						
OSCPWR pin output voltage	V_{OSCPWR}		$V_{CC}-0.15$			V
Maximum oscillation frequency	$F_{OSC max}$				100	kHz
Input bias current	$I_{B OSC}$	$V_{OSC} = 0 V$	-2.0			μA
[Pulse Charging Function]						
Internal reference voltage	$V_{CHG REF}$		0.32	0.35	0.38	V
CHG-ON pin ON voltage	V_{CHG-ON}		2.0			V
CHG-ON Pin OFF voltage	$V_{CHG-OFF}$				1.0	V
CHG-MON pin input bias current	$I_{B CHG MON}$	$V_{CHG MON} = 0.3 V$			200	nA
CHGDRV pin output current	$I_{O CHG DRV}$	$V_{CHG MON} = 0 V$	2.4	3.0	3.6	mA
[TSD Block]						
Operating temperature	T_{TSD}	Design target value, Note 1		180		$^{\circ}C$
Temperature hysteresis width	ΔT_{TSD}	Design target value, Note 1		20		$^{\circ}C$

Note 1: For parameters which have an entry of "design target value" in the "Conditions" column, no measurements are made.

LB8109M



Pin Assignment



A04655

Pin Functions

Pin No.	Symbol	Equivalent circuit	Function
1, 2 32, 33	IN1, IN2 IN3, IN4	<p style="text-align: right;">A04657</p>	<p>Actuator control signals for each driver: IN1: Focus, IN2: Tracking, IN3: Spindle, IN4: Sled. These signals are input from the ASP (DSP).</p>
30	ASP _{REF}		<p>Control reference signal input pin for each driver. This signal is input from the ASP (DSP).</p>
43, 42 41, 40 38, 37 36, 35	OUT1 ⁺ , 1 ⁻ OUT2 ⁺ , 2 ⁻ OUT3 ⁺ , 3 ⁻ OUT4 ⁺ , 4 ⁻	<p style="text-align: right;">A04658</p>	<p>Focus coil actuator drive output pins. Tracking coil actuator drive output pins. Spindle motor drive output pins. Sled motor drive output pins. (Each channel includes built-in spark killer diodes.)</p>
3 31	V _{OUT1} V _{OUT2}		<p>Power supply pins for the H bridge driver. V_{OUT1} is for the focus/tracking group and V_{OUT2} is for the spindle/sled group. Maximum value + α (α : saturation voltage of upper/lower output Tr) of control output for each 2CH is set by external PWM step-down circuit.</p>
4	V _{CD}		<p>Power supply for the actuator driver controller, maximum value circuit for PWM, sled controller, and MUTE block.</p>
5	CHGDRV	<p style="text-align: right;">A04654</p>	<p>Base drive output pin for the external NPN-Tr for the battery pulse charging circuit.</p>
10	EXTDRV		<p>Base drive output pin for the external step-down NPN-Tr used when external voltage input is applied.</p>
15	DNB-1		<p>Base drive output pin for the PNP-Tr for the step-down PWM that generates the power supply for the H bridge driver that drives the focus/tracking group actuators.</p>
16	DNB-2		<p>Base drive output pin for the PNP-Tr for the step-down PWM that generates the power supply for the H bridge driver that drives the spindle/sled group actuators.</p>
17	ASPDRV		<p>Base drive output pin for the external NPN-Tr for the step-up circuit that sets the external voltage for the DSP.</p>

Continued on next page.

LB8109M

Continued from preceding page.

Pin No.	Symbol	Equivalent circuit	Function
6	CHG MON		Constant-current feedback input pin for the charging circuit. The charging current is determined by comparing this input voltage and the internal reference voltage (0.35 V typ.).
13	EXTBASE		Connection pin for the resistor that is used to set the voltage for the external step-down circuit. This prevents invalid current at no power supply.
7	GND		GND pin for small-signal block. (GND except output power Tr)
8	OSC		Input pin for the free-running oscillation circuit that is used to operate the PWM step-down circuit and step-up circuit. The oscillating frequency is determined by external CR.
9	OSCPWR		CR power supply pin that is used to prevent invalid current for the oscillation circuit in standby mode.
11	V _{EXT}		Voltage feedback input pin for the external power supply step-down circuit. V _{CC} for playback is set by comparing this pin voltage with the internal reference voltage (1.28 V typ.).
12	V _{EXTCHG}		Voltage feedback input pin for the external power supply step-down circuit. V _{CC} for charging is set by comparing this pin voltage with the internal reference voltage (1.28 V typ.).
18	V _{ASP}		Voltage feedback input pin for the step-up circuit. The step-up voltage is determined by comparing this pin voltage with the internal reference voltage (1.28 V typ.).
19	UPBASE		Connection pin for the resistor that is used to set the voltage of the step-up circuit. This prevents invalid current in standby mode.

Continued on next page.

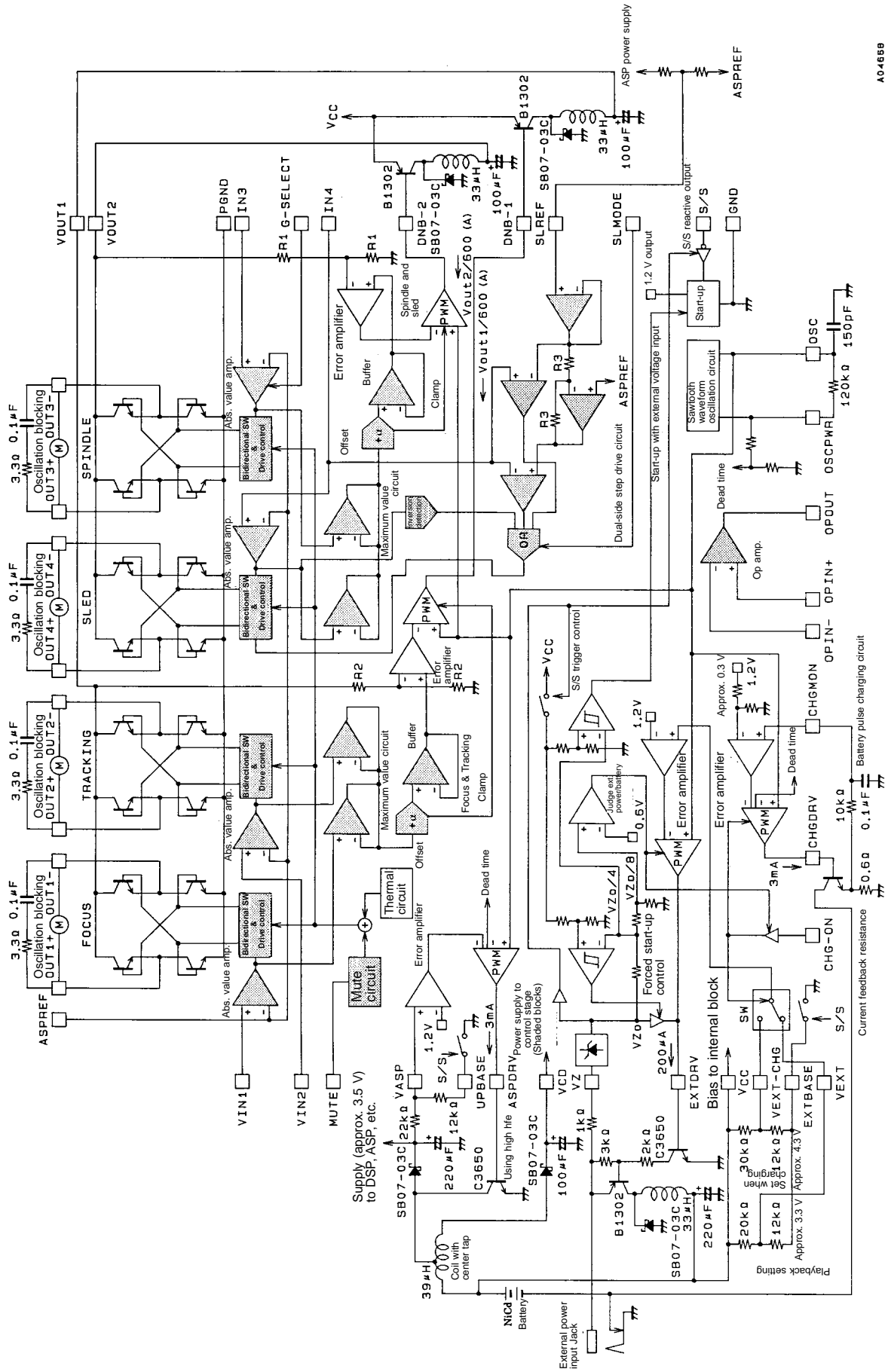
LB8109M

Continued from preceding page.

Pin No.	Symbol	Equivalent circuit	Function
20	VZ		Input pin for start-up circuit when an external voltage input is applied. The external voltage input is applied through a resistor inserted in series. The voltage is basically determined by the Zener diode + $2V_{BE}$; this pin has a current draining capacity up to 20 mA.
24	S/S		LB8109M start-up input. (Start on a low-level input.)
21	OPIN ⁻		Inverting input pin for internal OP amplifier.
22	OPIN ⁺		Noninverting input pin for internal OP amplifier.
23	OPOUT		Output pin for internal OP amplifier. The output circuit type is "push-pull."
14	CHG-ON		Pin for selecting battery charging when external voltage input is applied. This pin determines the drop voltage for the external voltage input. When low, the drop voltage set by VEXT is selected; when high, the drop voltage set by VEXT-CHG is selected.
25	MUTE		Input pin for simultaneously muting the drivers for the four channels. (High: mute)
26	G-SELECT		Pin for switching the spindle driver transfer gain between 8.3 dB and 14.8 dB (typ. value each). (Low: high gain)
27	SLMODE	Pin for switching the sled driver between V-type control and step control. (High: V-type control; low: step control)	
28	VCC		Power supply voltage pin.
29 33	SLREF IN4		Threshold input pin for driving the sled motor stepwise. Both the positive and negative step levels (with positive-negative symmetry) are determined by the voltage differential between the pin voltage and the ASPREF pin voltage.
39	PGND		Output Tr. GND for the four-channel H bridge drivers. This pin is not internally connected to the small-signal system GND.

Continued on next page.

Block Diagram and Sample Application Circuit



AO4659

Note: It should be noted that Type Nos., contents specified herein are for example only, with no guarantee for characteristics implied.

Supplementary Explanation

1. V_{CD} supply

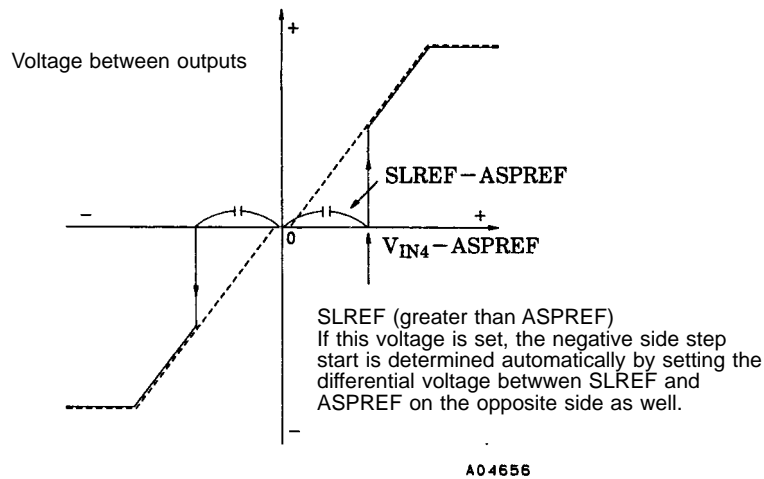
The V_{CD} line is the power supply for the driver control blocks of channels 1 to 4. The V_{CD} line can be supplied from the DSP step-up circuit by using a coil with center tap (as shown in the Block Diagram).

However, because the allowable operating range for V_{CD} is 3.6 V to 9.0 V, it is recommended that in order to reduce power dissipation, the voltage should be set to the low end of this range. (Even if this power supply does not affect the control performance such as the transfer gain.)

2. Sled step drive

Stepping control in this IC for the sled actuator is as described below. Normal V-type control is used if the $SLMODE$ pin is set high, but by setting this pin low it is possible to use step drive mode, which has a marked effect in reducing power dissipation. (This only affects channel 4.)

The step drive starting level is input from the $SLREF$ pin (only a voltage higher than $ASPREF$ will be accepted), and the positive side step start is determined by comparing the input voltage with $IN4$. For the negative side, the step start is determined automatically by setting the differential voltage between the $SLREF$ and the $ASPREF$ on the opposite side, and then comparing that voltage to $IN4$. In other words, the control characteristics become as defined by the solid line in the diagram below. (The rise on the positive and negative steps has no hysteresis.)



■ No products described or contained herein are intended for use in surgical implants, life-support systems, aerospace equipment, nuclear power control systems, vehicles, disaster/crime-prevention equipment and the like, the failure of which may directly or indirectly cause injury, death or property loss.

■ Anyone purchasing any products described or contained herein for an above-mentioned use shall:

- ① Accept full responsibility and indemnify and defend SANYO ELECTRIC CO., LTD., its affiliates, subsidiaries and distributors and all their officers and employees, jointly and severally, against any and all claims and litigation and all damages, cost and expenses associated with such use:
- ② Not impose any responsibility for any fault or negligence which may be cited in any such claim or litigation on SANYO ELECTRIC CO., LTD., its affiliates, subsidiaries and distributors or any of their officers and employees jointly or severally.

■ Information (including circuit diagrams and circuit parameters) herein is for example only; it is not guaranteed for volume production. SANYO believes information herein is accurate and reliable, but no guarantees are made or implied regarding its use or any infringements of intellectual property rights or other rights of third parties.

This catalog provides information as of January, 1996. Specifications and information herein are subject to change without notice.