



MP8799

CMOS

Very Low Power, 1 MSPS, 10-Bit

Analog-to-Digital Converter with 8-Channel Mux

FEATURES

- 10-Bit Resolution
- 8-Channel Mux
- Sampling Rates from <1 kHz to 1 MHz
- Very Low Power CMOS - 30 mW (typ)
- Power Down; Lower Consumption – 3 mW (typ)
- Input Range between GND and V_{DD}
- No S/H Required for Analog Signals less than 100 kHz
- No S/H Required for CCD Signals less than 1 MHz
- Single Power Supply (4 to 6 Volts)
- Latch-Up Free
- High ESD Protection: 4000 Volts Minimum
- 3 V Version: MP87L99

BENEFITS

- Reduced Board Space (Small Package)
- Reduced External Parts, No Sample/Hold Needed
- Suitable for Battery & Power Critical Applications
- Designer can Adapt Input Range & Scaling

APPLICATIONS

- μ P/DSP Interface and Control Applications
- High Resolution Imaging – Scanners & Copiers
- Wireless Digital Communications
- Multiplexed Data Acquisition

GENERAL DESCRIPTION

The MP8799 is a flexible, easy to use, precision 10-bit Analog-to-Digital Converter with 8-channel mux that operates over a wide range of input and sampling conditions. The MP8799 can operate with pulsed “on demand” conversion operation or continuous “pipeline” operation for sampling rates up to 1 MHz. The elimination of the S/H requirements, very low power, and small package size offer the designer a low cost solution. No sample and hold is required for charge couple device applications up to 1 MHz, or multiplexed input applications when the signal source bandwidth is limited to 100 kHz. The input architecture of the MP8799 allows direct interface to any analog input range between AGND and AV_{DD} (0 to 2 V, 1 to 4 V, 0 to 5 V, etc.). The user simply sets $V_{REF(+)}$ and $V_{REF(-)}$ to encompass the desired input range.

Scaled reference resistor tap @ 1/4 R, 1/2 R and 3/4 R allows for customizing the transfer curve as well as providing a 1/2 span reference voltage. Digital outputs are CMOS and TTL compatible.

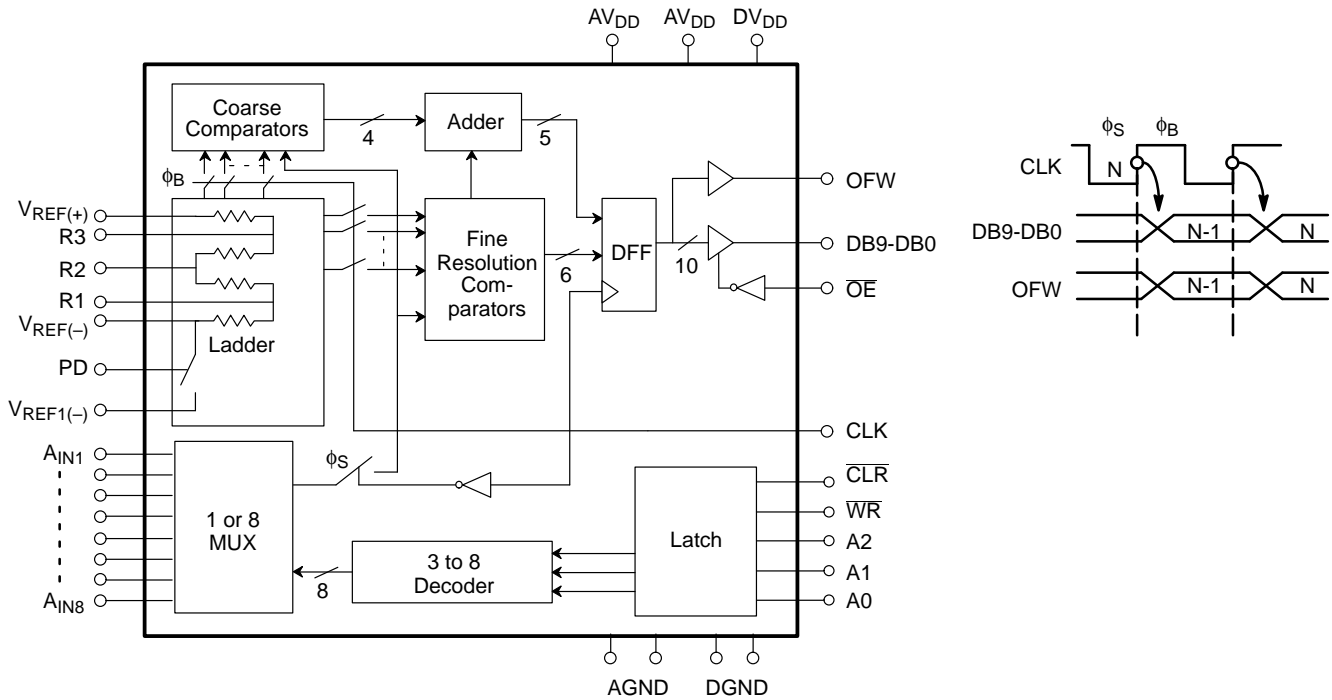
The MP8799 uses a two-step flash technique. The first segment converts the 4 MSBs and consists of 15 autobalanced comparators, latches, an encoder, and buffer storage registers. The second segment converts the remaining 6 LSBs.

When the power down input is “high”, the data outputs DB9 to DB0 hold the current values and $V_{REF(-)}$ is disconnected from $V_{REF1(-)}$. The power consumption during the power down mode is approximately 3mW.

ORDERING INFORMATION

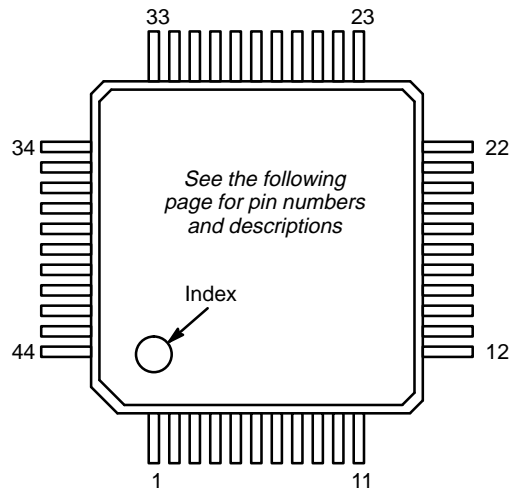
Package Type	Temperature Range	Part No.	DNL (LSB)	INL (LSB)
PQFP	-40 to +85°C	MP8799AE	±1	2

SIMPLIFIED BLOCK AND TIMING DIAGRAM



PIN CONFIGURATIONS

See Packaging Section for Package Dimensions



44-Pin PQFP (10mm x 10mm)
QN44

PIN OUT DEFINITIONS

PIN NO.	NAME	DESCRIPTION
1	DB6	Data Output Bit 6
2	DB7	Data Output Bit 7
3	DGND	Digital Ground
4	DGND	Digital Ground
5	DV _{DD}	Digital V _{DD}
6	$\overline{\text{CLR}}$	Clear (Active Low)
7	$\overline{\text{WR}}$	Write (Active Low)
8	A2	Address 2
9	A1	Address 1
10	A0	Address 0
11	CLK	Clock Input
12	$\overline{\text{OE}}$	Output Enable (Active Low)
13	N/C	No Connect
14	DB8	Data Output Bit 8
15	DB9	Data Output Bit 9 (MSB)
16	OFW	Overflow Output
17	V _{REF(+)}	Upper Reference Voltage
18	V _{REF(-)}	Lower Reference Voltage
19	V _{REF1(-)}	Lower Reference Voltage
20	R1	Reference Ladder Tap
21	R2	Reference Ladder Tap
22	A _{IN8}	Analog Signal Input 8

PIN NO.	NAME	DESCRIPTION
23	R3	Reference Ladder Tap
24	N/C	No Connect
25	A _{IN1}	Analog Signal Input 1
26	A _{IN2}	Analog Signal Input 2
27	A _{IN3}	Analog Signal Input 3
28	A _{IN4}	Analog Signal Input 4
29	A _{IN5}	Analog Signal Input 5
30	AGND	Analog Ground
31	AV _{DD}	Analog V _{DD}
32	AV _{DD}	Analog V _{DD}
33	A _{IN6}	Analog Signal Input 6
34	AGND	Analog Ground
35	PD	Power Down
36	A _{IN7}	Analog Signal Input 7
37	DB0	Data Output Bit 0 (LSB)
38	DB1	Data Output Bit 1
39	DB2	Data Output Bit 2
40	DB3	Data Output Bit 3
41	DB4	Data Output Bit 4
42	DB5	Data Output Bit 5
43	N/C	No Connect
44	N/C	No Connect

TRUTH TABLE FOR INPUT CHANNEL SELECTION

$\overline{\text{CLR}}$	$\overline{\text{WR}}$	A2	A1	A0	Selected Analog Input
L	X	X	X	X	A _{IN1}
H	L	L	L	L	A _{IN1}
H	L	L	L	H	A _{IN2}
H	L	L	H	L	A _{IN3}
H	L	L	H	H	A _{IN4}
H	L	H	L	L	A _{IN5}
H	L	H	L	H	A _{IN6}
H	L	H	H	L	A _{IN7}
H	L	H	H	H	A _{IN8}
H	H	X	X	X	Previous Selection

Note: $\overline{\text{CLR}}$, $\overline{\text{WR}}$, A2, A1, A0 are internally connected to ground through 500k Ω resistance.

ELECTRICAL CHARACTERISTICS TABLE

Unless Otherwise Specified: $AV_{DD} = DV_{DD} = 5\text{ V}$, $F_S = 1\text{ MHz}$ (50% Duty Cycle),
 $V_{REF(+)} = 4.6$, $V_{REF(-)} = AGND$, $T_A = 25^\circ\text{C}$

Parameter	Symbol	25°C			Units	Test Conditions/Comments	
		Min	Typ	Max			
KEY FEATURES							
Resolution		10			Bits	For Rated Performance	
Sampling Rate	F_S	.001		1	MHz		
ACCURACY (A Grade)²							
Differential Non-Linearity	DNL			± 1	LSB	LSB Best Fit Line (Max INL – Min INL)/2 Reference from $V_{REF(+)}$ to $V_{REF(-)}$	
Integral Non-Linearity	INL			2	LSB		
Zero Scale Error	EZS		+0.50		LSB		
Full Scale Error	EFS		-2.5		LSB		
REFERENCE VOLTAGES							
Positive Ref. Voltage	$V_{REF(+)}$			AV_{DD}	V		
Negative Ref. Voltage	$V_{REF(-)}$	AGND			V		
Differential Ref. Voltage ⁵	V_{REF}	0.5		AV_{DD}	V		
Ladder Resistance	R_L	525	675	900	Ω		
Ladder Temp. Coefficient ¹	R_{TCO}		2000		ppm/°C		
Ladder Switch Resistance ¹			12		Ω		
Ladder Switch Off Leakage ¹	$I_{ILKG-SW}$		50		nA		
ANALOG INPUT¹							
Input Bandwidth			100		kHz		
Input Voltage Range ⁷	V_{IN}	$V_{REF(-)}$		$V_{REF(+)}$	V		
Input Capacitance ³	C_{IN}		60		pF		
Aperture Delay	t_{AP}		35	45	ns		
DIGITAL INPUTS							
Logical "1" Voltage	V_{IH}	2.0			V	$V_{IN}=DGND$ to DV_{DD}	
Logical "0" Voltage	V_{IL}			0.8	V		
Leakage Currents	I_{IN}			± 100	μA		
CLK				30	μA		
PD, \overline{OE} (Internal Res to DGND)		-5			μA		
Input Capacitance			5		pF		
Clock Timing (See Figure 1.) ¹							
Clock Period	T_S	1000			ns		
Rise & Fall Time ⁴	t_R, t_F			10	ns		
"High" Time ⁶	t_B	250		500,000	ns		
"Low" Time ⁶	t_S	150		500,000	ns		

ELECTRICAL CHARACTERISTICS TABLE (CONT'D)

Parameter	Symbol	25°C			Units	Test Conditions/Comments	
		Min	Typ	Max			
DIGITAL OUTPUTS							
Logical "1" Voltage	V_{OH}	$DV_{DD}-0.5$			V	$C_{OUT}=15$ pF $I_{LOAD} = 2$ mA $I_{LOAD} = 4$ mA $V_{OUT} = 0$ to DV_{DD}	
Logical "0" Voltage	V_{OL}			0.4	V		
Tristate Leakage	I_{OZ}	0		± 5	μ A		
Data Hold Time (See Figure 1.) ¹	t_{HLD}		30	35	ns		
Data Valid Delay ¹	t_{DL}		35	45	ns		
Write Pulse Width ¹	t_{WR}	40			ns		
Multiplexer Address Setup Time ¹	t_{AS}	80			ns		
Multiplexer Address Hold Time ¹	t_{AH}	0			ns		
Delay from \overline{WR} to Multiplexer ¹ Enable	t_{MUXEN1}			80	ns		
Power Down Time ¹	t_{PD}			300	ns		
Power Up Time ¹	t_{PU}			200	ns		
POWER SUPPLIES⁸							
Power Down (I_{DD})	I_{PD-DD}		0.6	1.2	mA		$V_{IN} = 2$ V
Operating Voltage (AV_{DD} , DV_{DD})	V_{DD}	4	5	6.5	V		
Current ($AV_{DD} + DV_{DD}$)	I_{DD}		6	10	mA		

NOTES:

- ¹ Guaranteed. Not tested.
- ² Tester measures code transition voltages by dithering the voltage of the analog input (V_{IN}). The difference between the measured code width and the ideal value ($V_{REF}/1024$) is the DNL error (see Figure 4.). The INL error is the maximum distance (in LSBs) from the best fit line to any transition voltage (See Figure 7.).
- ³ See V_{IN} input equivalent circuit (see Figure 9.).
- ⁴ Clock specification to meet aperture specification (t_{AP}). Actual rise/fall time can be less stringent with no loss of accuracy.
- ⁵ Specified values guarantee functional device. Refer to other parameters for accuracy.
- ⁶ System can clock MP8799 with any duty cycle as long as all timing conditions are met.
- ⁷ Input range where input is converted correctly into binary code. Input voltage outside specified range converts to zero or full scale output.
- ⁸ DV_{DD} and AV_{DD} are connected through the silicon substrate. Connect together at the package.

Specifications are subject to change without notice

ABSOLUTE MAXIMUM RATINGS (TA = +25°C unless otherwise noted)^{1, 2, 3}

V_{DD} (to GND)	+7 V	Storage Temperature	-65 to +150°C
$V_{REF(+)}$, $V_{REF(-)}$, $V_{REF1(-)}$	GND -0.5 to $V_{DD} + 0.5$ V	Lead Temperature (Soldering 10 seconds)	+300°C
All A_{INs}	GND -0.5 to $V_{DD} + 0.5$ V	Package Power Dissipation Rating to 75°C	
All Inputs	GND -0.5 to $V_{DD} + 0.5$ V	PQFP	450mW
All Outputs	GND -0.5 to $V_{DD} + 0.5$ V	Derates above 75°C	14mW/°C

NOTES:

- ¹ Stresses above those listed under "Absolute Maximum Ratings" may cause permanent damage to the device. This is a stress rating only and functional operation at or above this specification is not implied. Exposure to maximum rating conditions for extended periods may affect device reliability.
- ² Any input pin which can see a value outside the absolute maximum ratings should be protected by Schottky diode clamps (HP5082-2835) from input pin to the supplies. All inputs have protection diodes which will protect the device from short transients outside the supplies of less than 100mA for less than 100 μ s.
- ³ V_{DD} refers to AV_{DD} and DV_{DD} . GND refers to AGND and DGND.

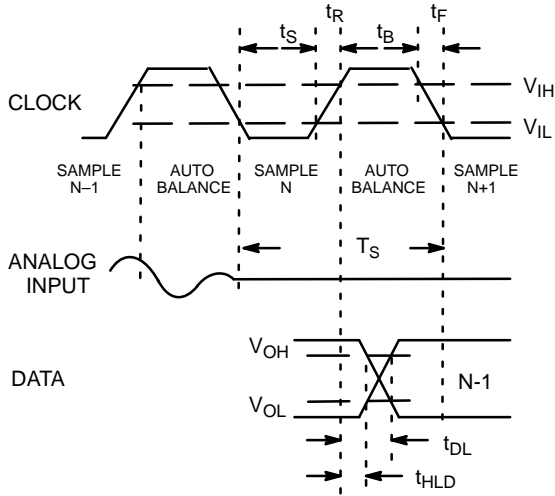


Figure 1. MP8799 Timing Diagram

THEORY OF OPERATION

Analog-to-Digital Conversion

The MP8799 converts analog voltages into 1024 digital codes by encoding the outputs of 15 coarse and 67 fine comparators. Digital logic is used to generate the overflow bit. The conversion is synchronous with the clock and it is accomplished in 2 clock periods.

The reference resistance ladder is a series of 1025 resistors. The first and the last resistor of the ladder are half the value of the others so that the following relations apply:

$$R_{REF} = 1024 * R \quad V_{REF} = V_{REF(+)} - V_{REF(-)} = 1024 * LSB$$

The clock signal generates the two internal phases, ϕ_B (CLK high) and ϕ_S (CLK low = sample) (See Figure 2.). The rising edge of the CLK input marks the end of the sampling phase (ϕ_S). Internal delay of the clock circuitry will delay the actual instant

when ϕ_S disconnects the latches from the comparators. This delay is called aperture delay (t_{AP}).

The coarse comparators make the first pass conversion and selects a ladder range for the fine comparators. The fine comparators are connected to the selected range during the next ϕ_B phase.

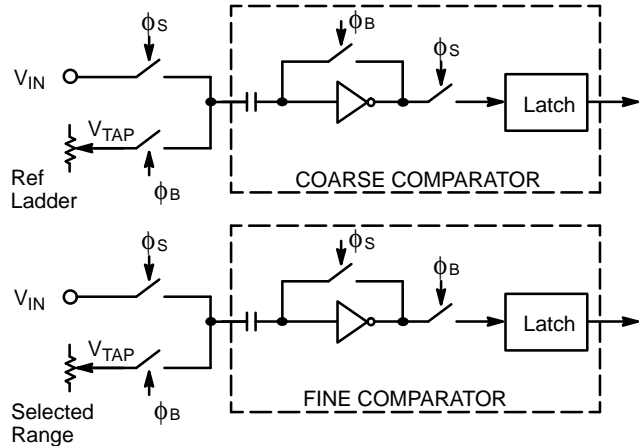


Figure 2. MP8799 Comparators

A_{IN} Sampling, Ladder Sampling, and Conversion Timing

Figure 3. shows this relationship as a timing chart. A_{IN} sampling, ladder sampling and output data relationships are shown for the general case where the levels which drive the ladder need to change for each sampled A_{IN} time point. The ladder is referenced for both last A_{IN} sample and next A_{IN} sample at the same time. If the ladder's levels change by more than 1 LSB, one of the samples must be discarded. Also note that the clock low period for the discarded A_{IN} can be reduced to the minimum t_S time of 150 ns.

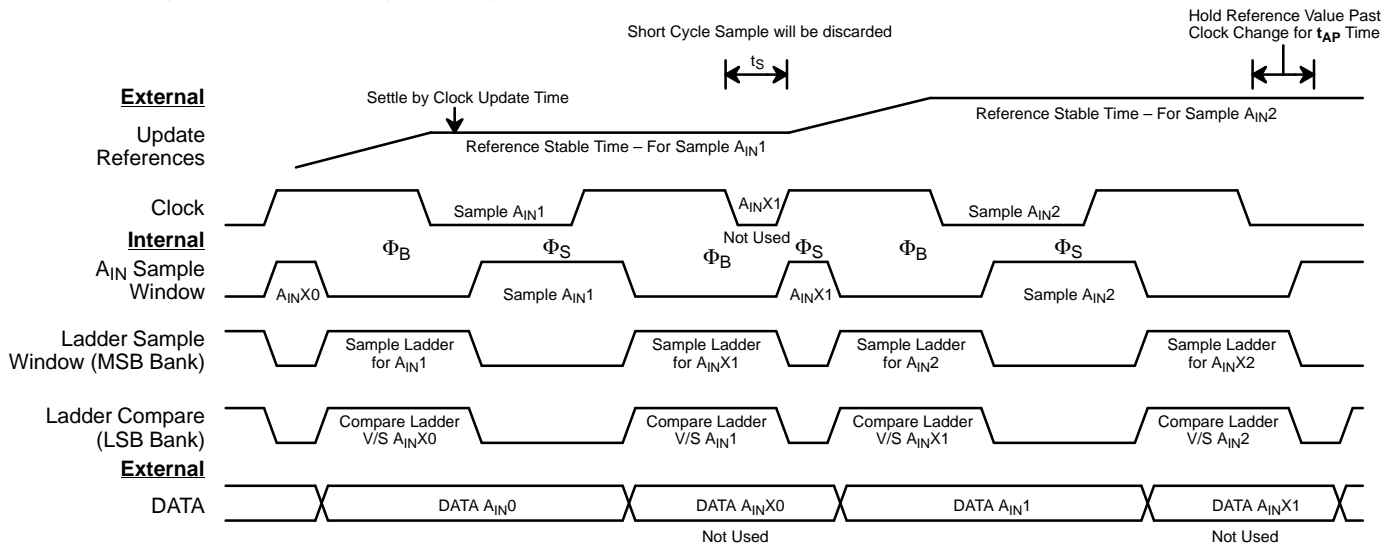


Figure 3. A_{IN} Sampling, Ladder Sampling & Conversion Timing

Accuracy of Conversion: DNL and INL

The transfer function for an ideal A/D converter is shown in Figure 4.

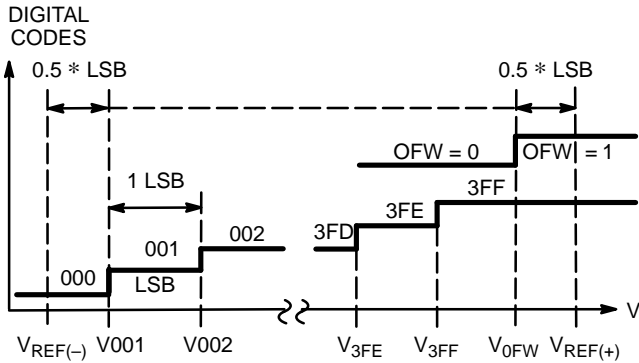


Figure 4. Ideal A/D Transfer Function

The overflow transition (V_{OFW}) takes place at:

$$V_{IN} = V_{OFW} = V_{REF(+)} - 0.5 * LSB$$

The first and the last transitions for the data bits take place at:

$$V_{IN} = V_{001} = V_{REF(-)} + 0.5 * LSB$$

$$V_{IN} = V_{3FF} = V_{REF(-)} - 1.5 * LSB$$

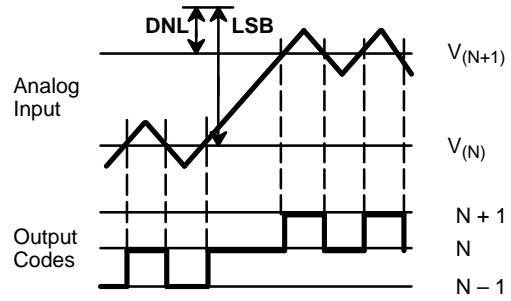
$$LSB = V_{REF} / 1024 = (V_{3FF} - V_{001}) / 1022$$

Note that the overflow transition is a flag and has no impact on the data bits.

In a "real" converter the code-to-code transitions don't fall exactly every $V_{REF}/1024$ volts.

A positive DNL (Differential Non-Linearity) error means that the real width of a particular code is larger than 1 LSB. This error is measured in fractions of LSBs.

A Max DNL specification guarantees that ALL code widths (DNL errors) are within the stated value. A specification of Max DNL = ± 0.5 LSB means that all code widths are within 0.5 and 1.5 LSB. If $V_{REF} = 4.608$ V then 1 LSB = 4.5 mV and every code width is within 2.25 and 6.75 mV.



$$(N+1) \text{ Code Width} = V_{(N+1)} - V_{(N)}$$

$$LSB = [V_{REF(+)} - V_{REF(-)}] / 1024$$

$$DNL_{(N)} = [V_{(N+1)} - V_{(N)}] - LSB$$

Figure 5. DNL Measurement On Production Tester

The formulas for Differential Non-linearity (DNL), Integral Non-Linearity (INL) and zero and full scale errors (E_{ZS} , E_{FS}) are:

$$DNL(001) = V_{002} - V_{001} - LSB$$

∴ ∴ ∴

$$DNL(3FE) = V_{3FF} - V_{3FE} - LSB$$

$$E_{FS} \text{ (full scale error)} = V_{3FF} - [V_{REF(+)} - 1.5 * LSB]$$

$$E_{ZS} \text{ (zero scale error)} = V_{001} - [V_{REF(-)} + 0.5 * LSB]$$

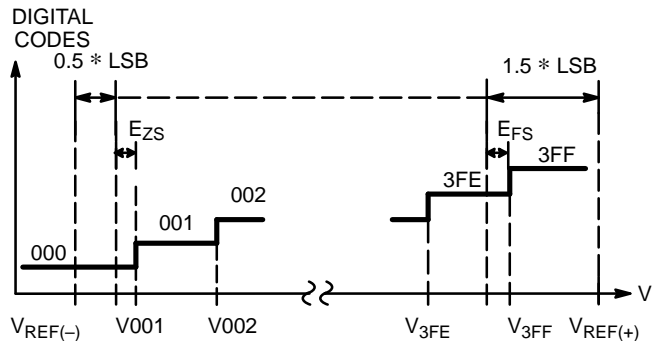


Figure 6. Real A/D Transfer Curve

Figure 6. shows the zero scale and full scale error terms.

Figure 7. gives a visual definition of the INL error. The chart shows a 3-bit converter transfer curve with greatly exaggerated DNL errors to show the deviation of the real transfer curve from the ideal one.

After a tester has measured all the transition voltages, the computer draws a line parallel to the ideal transfer line. By definition the best fit line makes equal the positive and the negative INL errors. For example, an INL error of -1 to $+2$ LSB's relative to the Ideal Line would be ± 1.5 LSB's relative to the best fit line.

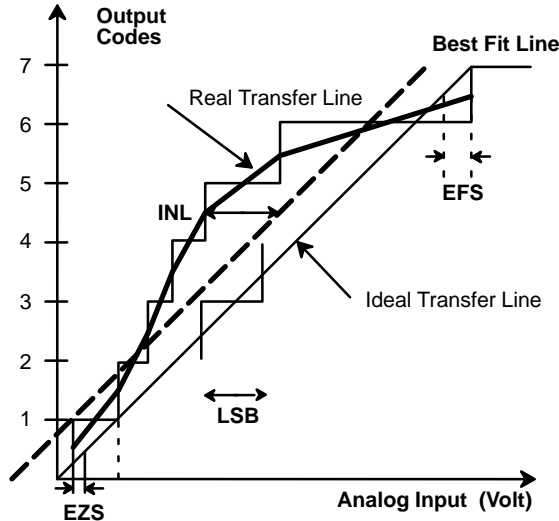


Figure 7. INL Error Calculation

Clock and Conversion Timing

A system will clock the MP8799 continuously or it will give clock pulses intermittently when a conversion is desired. The timing of Figure 8a shows normal operation, while the timing of Figure 8b keeps the MP8799 in balance and ready to sample the analog input.

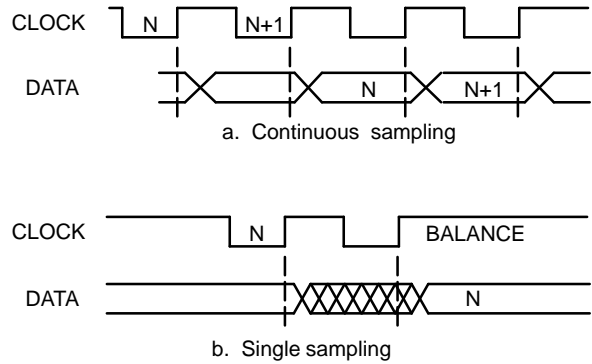


Figure 8. Relationship of Data to Clock

Analog Input

The MP8799 has very flexible input range characteristics. The user may set $V_{REF(+)}$ and $V_{REF(-)}$ to two fixed voltages and then vary the input DC and AC levels to match the V_{REF} range. Another method is to first design the analog input circuitry and then adjust the reference voltages for the analog input range. One advantage is that this approach may eliminate the need for external gain and offset adjust circuitry which may be required by fixed input range A/Ds.

The MP8799's performance is optimized by using analog input circuitry that is capable of driving the A_{IN} input. Figure 9. shows the equivalent circuit for A_{IN} .

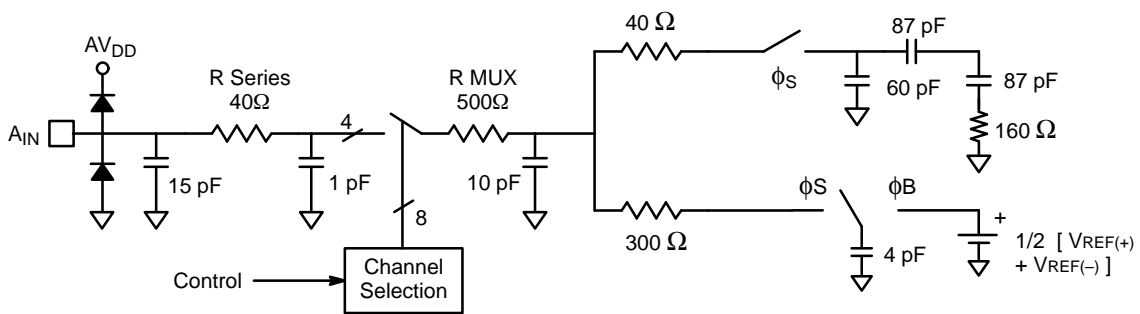


Figure 9. Analog Input Equivalent Circuit

Analog Input Multiplexer

The MP8799 includes a 8-Channel analog input multiplexer. The relationship between the clock, the multiplexer address, the \overline{WR} and the output data is shown in Figure 10.

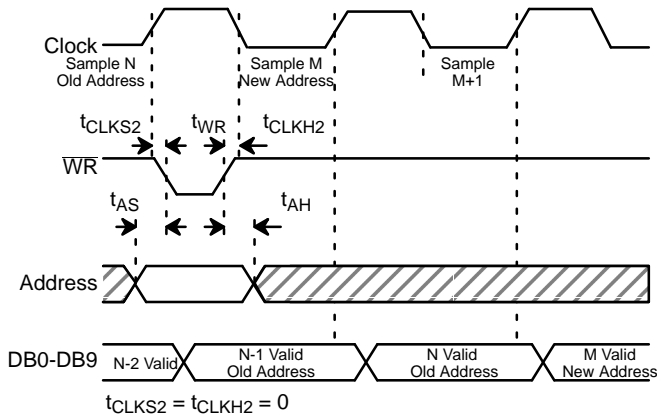


Figure 10. MUX Address Timing

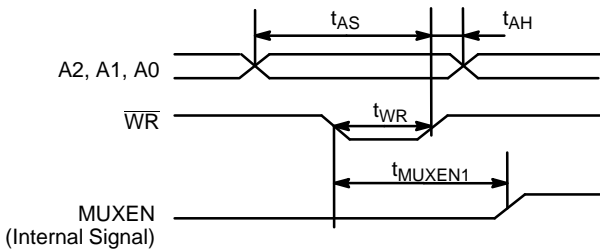


Figure 11. Analog MUX Timing

Reference Voltages

The input/output relationship is a function of V_{REF} :

$$A_{IN} = V_{IN} - V_{REF(-)}$$

$$V_{REF} = V_{REF(+)} - V_{REF(-)}$$

$$DATA = 1023 * (A_{IN}/V_{REF})$$

A system can increase total gain by reducing V_{REF} .

Digital Interfaces

The logic encodes the outputs of the comparators into a binary code and latches the data in a D-type flip-flop for output.

The functional equivalent of the MP8799 (Figure 12.) is composed of:

- 1) Delay stage (t_{AP}) from the clock to the sampling phase (ϕ_s).
- 2) An ideal analog switch which samples V_{IN} .
- 3) An ideal A/D which tracks and converts V_{IN} with no delay.
- 4) A series of two DFF's with specified hold (t_{HLD}) and delay (t_{DL}) times.

t_{AP} , t_{HLD} and t_{DL} are specified in the Electrical Characteristics table.

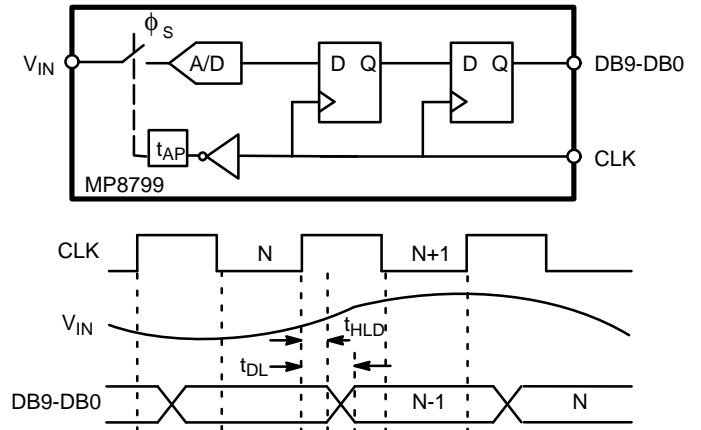


Figure 12. MP8799 Functional Equivalent Circuit and Interface Timing

Power Down

Figure 13. shows the relationship between the clock, sampled A_{IN} to output data relationship and the effect of power down.

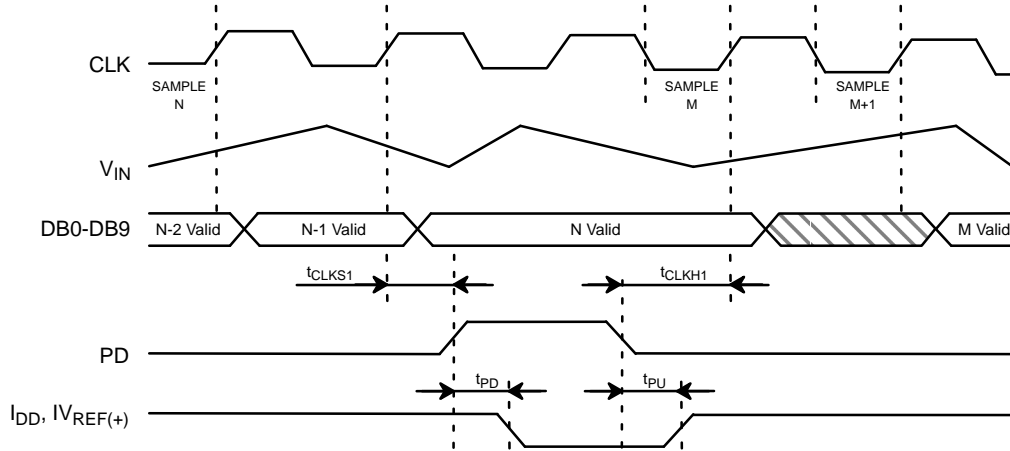


Figure 13. Power Down Timing Diagram

APPLICATION NOTES

$C_1 = 4.7$ or $10\mu\text{F}$ Tantalum
 $C_2 = 0.1\mu\text{F}$ Chip Cap or low inductance cap
 $R_T =$ Clock Transmission Line Termination

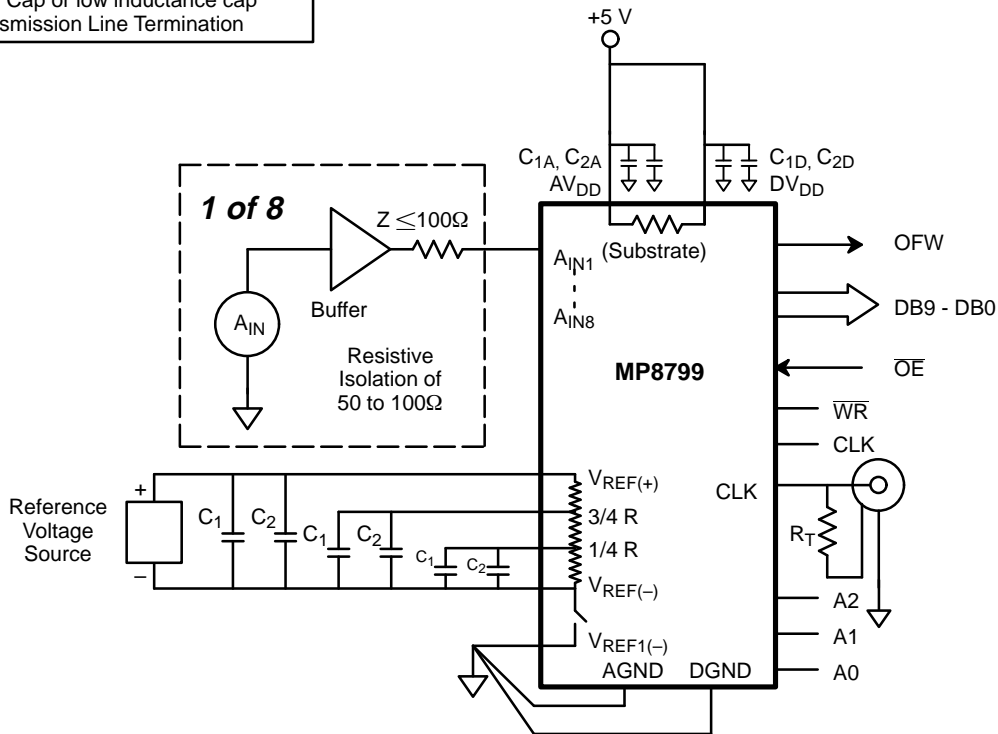


Figure 14. Typical Circuit Connections

The following information will be useful in maximizing the performance of the MP8799.

1. All signals should not exceed $AV_{DD} + 0.5\text{ V}$ or $AGND - 0.5\text{ V}$ or $DV_{DD} + 0.5\text{ V}$ or $DGND - 0.5\text{ V}$.
2. Any input pin which can see a value outside the absolute maximum ratings (AV_{DD} or $DV_{DD} + 0.5\text{ V}$ or $AGND - 0.5\text{ V}$) should be protected by diode clamps (HP5082-2835) from input pin to the supplies. All MP8799 inputs have input protection diodes which will protect the device from short transients outside the supply ranges.
3. The design of a PC board will affect the accuracy of MP8799. Use of wire wrap is not recommended.
4. The analog input signal (V_{IN}) is quite sensitive and should be properly routed and terminated. It should be shielded from the clock and digital outputs so as to minimize cross coupling and noise pickup.
5. The analog input should be driven by a low impedance (less than 50Ω).
6. Analog and digital ground planes should be substantial and common at one point only. The ground plane should act as a shield for parasitics and not a return path for signals. To reduce noise levels, use separate low impedance ground paths. *DGND should not be shared with other digital circuitry.* If separate low impedance paths cannot be provided, DGND should be connected to AGND next to the MP8799.
7. *DV_{DD} should not be shared with other digital circuitry to avoid conversion errors caused by digital supply transients.* DV_{DD} for the MP8799 should be connected to AV_{DD} next to the MP8799.
8. DV_{DD} and AV_{DD} are connected inside the MP8799 through the N – doped silicon substrate. Any DC voltage difference between DV_{DD} and AV_{DD} will cause undesirable internal currents.
9. Each power supply and reference voltage pin should be decoupled with a ceramic ($0.1\mu\text{F}$) and a tantalum ($10\mu\text{F}$) capacitor as close to the device as possible.
10. The digital output should not drive long wires. The capacitive coupling and reflection will contribute noise to the conversion. When driving distant loads, buffers should be used. 100Ω resistors in series with the digital outputs in some applications reduces the digital output disruption of A_{IN} .

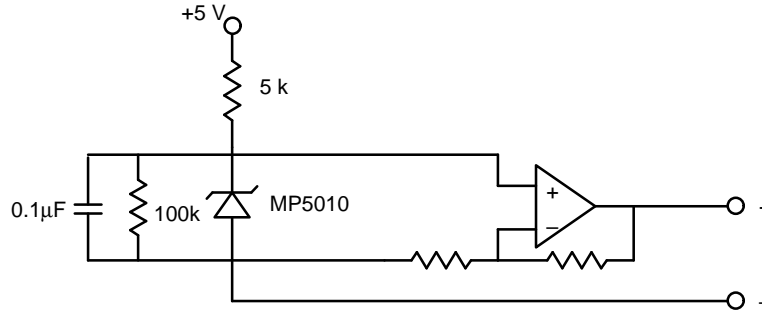
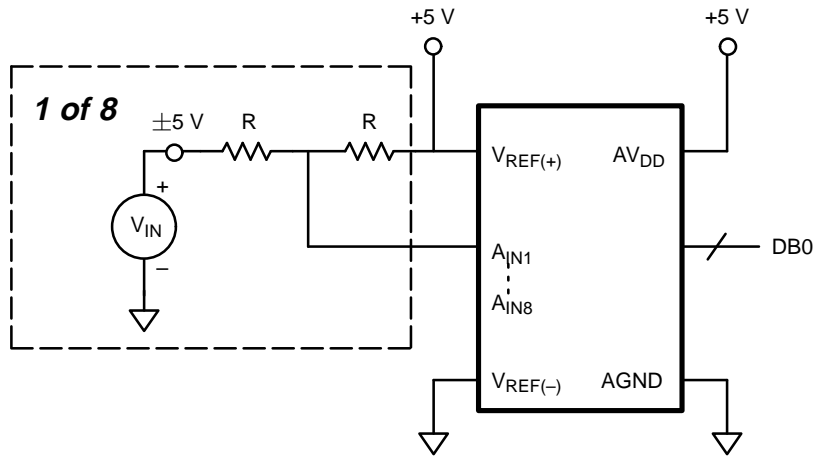


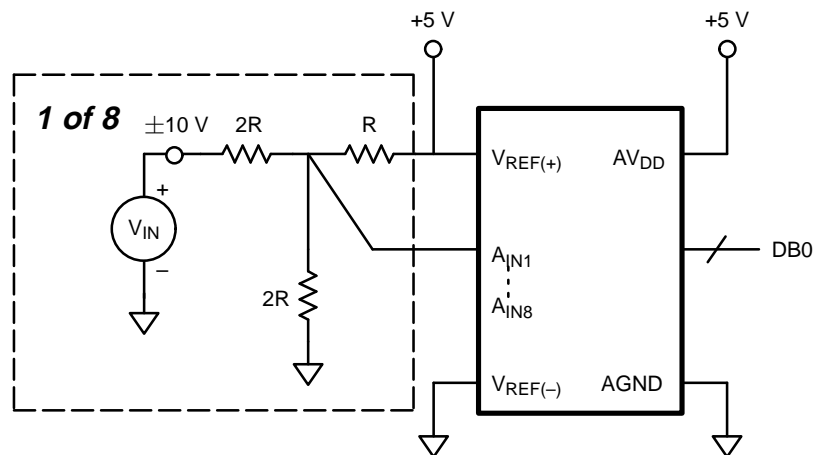
Figure 15. Example of a Reference Voltage Source



For $R = 5k$ use Beckman Instruments #694-3-R10k resistor array or equivalent.

NOTE: High R values affect the input BW of ADC due to the $(R * C_{IN}$ of ADC) time constant. Therefore, for different applications the R value needs to be selected as a tradeoff between A_{IN} settling time and power dissipation.

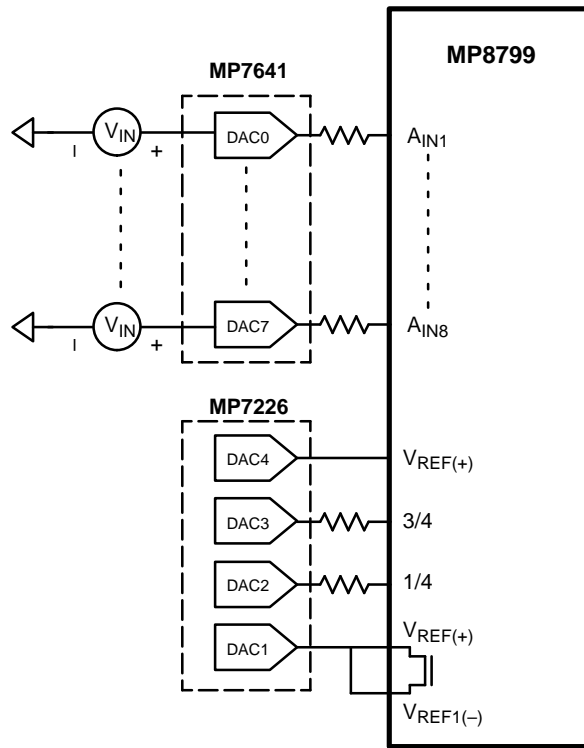
Figure 16. ±5 V Analog Input



For $R = 5k$ use Beckman Instruments #694-3-R10k resistor array or equivalent.

NOTE: High R values affect the input BW of ADC due to the $(R * C_{IN}$ of ADC) time constant. Therefore, for different applications the R value needs to be selected as a tradeoff between A_{IN} settling time and power dissipation.

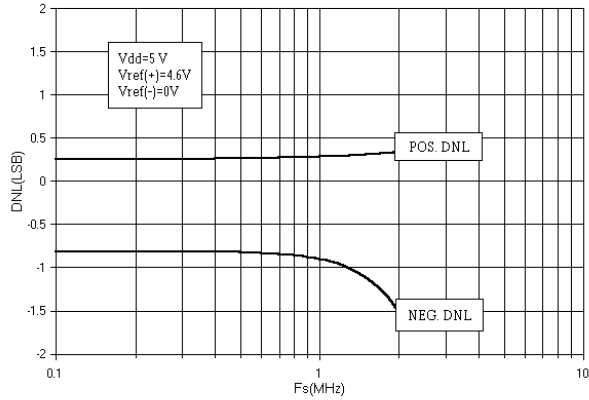
Figure 17. ±10 V Analog Input



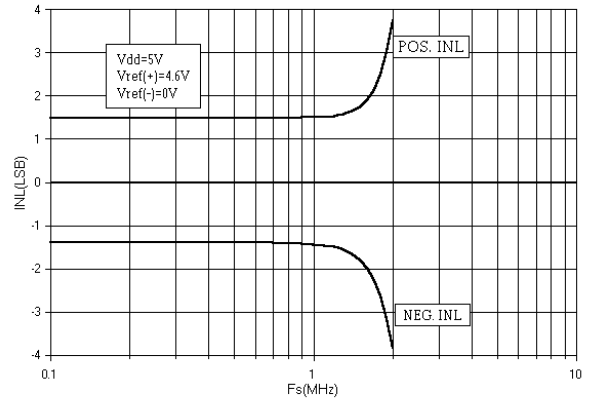
@ Power Down write values to DAC 3, 2, 1 = DAC 4 to minimize power consumption.
 Only A_{IN} and Ladder detail shown.

Figure 18. A/D Ladder and A_{IN} with Programmed Control (of V_{REF(+)}, V_{REF(-)}, 1/4 and 3/4 TAP.)

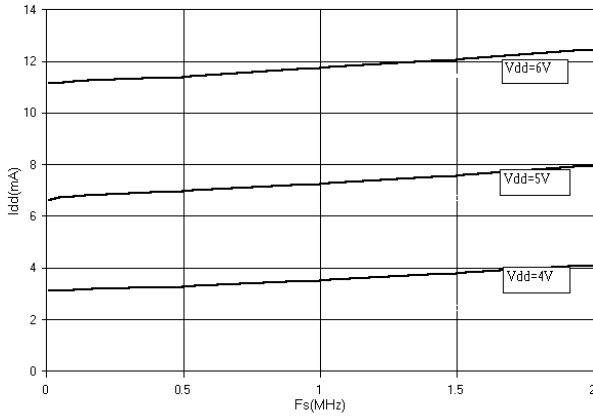
PERFORMANCE CHARACTERISTICS



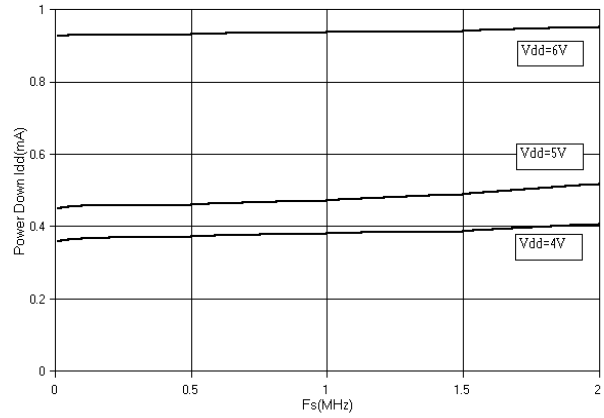
Graph 1. DNL vs. Sampling Frequency



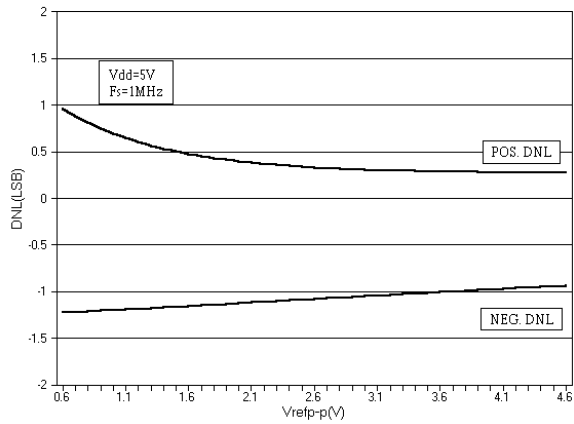
Graph 2. INL vs. Sampling Frequency



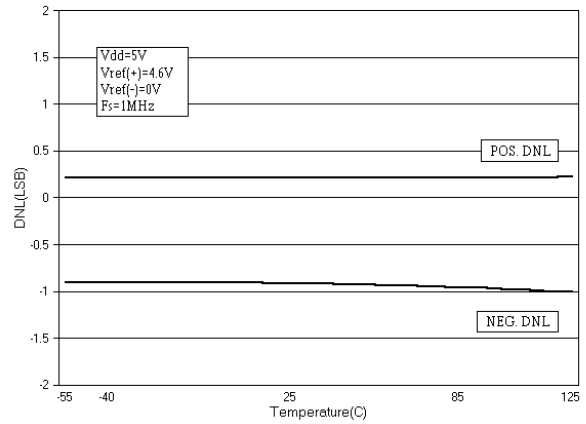
Graph 3. Supply Current vs. Sampling Frequency



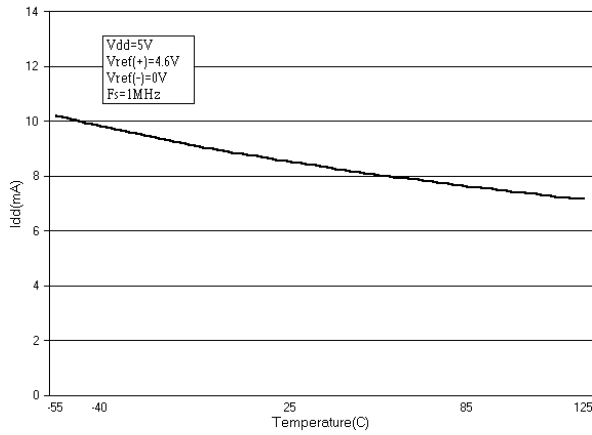
Graph 4. Power Down Current vs. Sampling Frequency



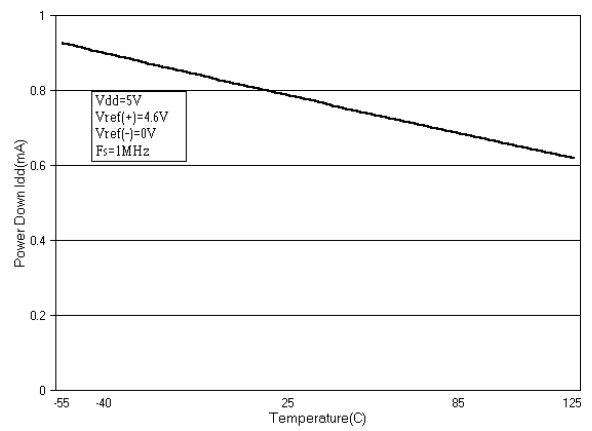
Graph 5. DNL vs. Reference Voltage



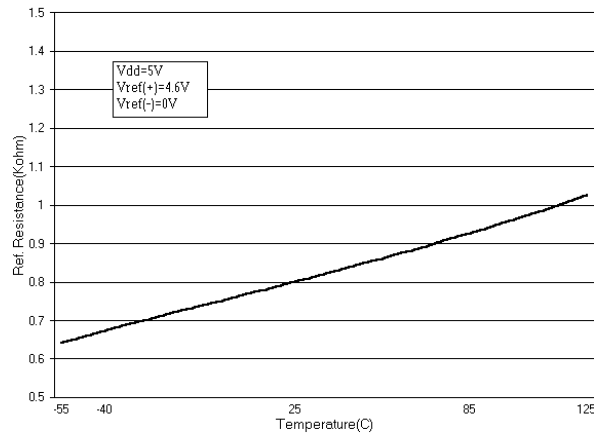
Graph 6. DNL vs. Temperature



Graph 7. Supply Current vs. Temperature

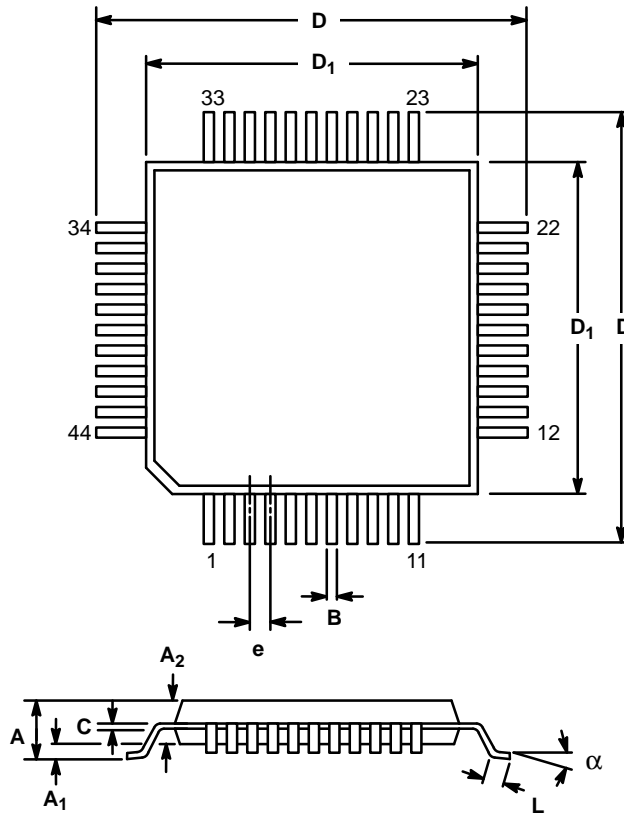


Graph 8. Power Down Current vs. Temperature



Graph 9. Reference Resistance vs. Temperature

44 LEAD PLASTIC QUAD FLAT PACK (10mm X 10mm PQFP, METRIC) QN44



SYMBOL	MILLIMETERS		INCHES	
	MIN	MAX	MIN	MAX
A	—	2.45	—	0.096
A ₁	0.25	—	0.01	—
A ₂	1.9	2.1	0.100	0.108
B	0.3	0.4	0.012	0.018
C	0.13	0.23	0.005	0.009
D	12.95	13.45	0.510	0.530
D ₁	9.9	10.1	0.392	0.396
e	0.8 BSC		0.0315 BSC	
L	0.65	1.03	0.026	0.037
α	0°	7°	0°	7°
Coplanarity = 4 mil max.				

Notes

Notes

Notes

NOTICE

EXAR Corporation reserves the right to make changes to the products contained in this publication in order to improve design, performance or reliability. EXAR Corporation assumes no responsibility for the use of any circuits described herein, conveys no license under any patent or other right, and makes no representation that the circuits are free of patent infringement. Charts and schedules contains here in are only for illustration purposes and may vary depending upon a user's specific application. While the information in this publication has been carefully checked; no responsibility, however, is assumed for inaccuracies.

EXAR Corporation does not recommend the use of any of its products in life support applications where the failure or malfunction of the product can reasonably be expected to cause failure of the life support system or to significantly affect its safety or effectiveness. Products are not authorized for use in such applications unless EXAR Corporation receives, in writing, assurances to its satisfaction that: (a) the risk of injury or damage has been minimized; (b) the user assumes all such risks; (c) potential liability of EXAR Corporation is adequately protected under the circumstances.

Copyright 1993 EXAR Corporation
Datasheet April 1995

Reproduction, in part or whole, without the prior written consent of EXAR Corporation is prohibited.