

DATA SHEET

PCA2002

32 kHz watch circuit with
programmable output period and
pulse width

Product specification
Supersedes data of 2003 Feb 04

2004 Jan 20

32 kHz watch circuit with programmable output period and pulse width

PCA2002

FEATURES

- 32 kHz quartz oscillator, amplitude regulated with excellent frequency stability and high immunity to leakage currents
- Electrically programmable time calibration with 1 ppm resolution (stored in OTP memory)
- The quartz crystal is the only external component required
- Very low current consumption: typically 90 nA
- Output pulses for bipolar stepping motors
- Five different programmable output periods (1 s to 30 s)
- Output pulse width programmable between 1 ms and 8 ms
- Full or chopped motor pulse and pulse stretching, selectable
- Stop function for accurate time setting and current saving during the shelf life
- Test mode for accelerated testing of the mechanical parts of the watch.

GENERAL DESCRIPTION

The PCA2002 is a CMOS integrated circuit for battery operated wrist watches with a 32 kHz quartz crystal as the timing element and a bipolar stepping motor. The crystal oscillator and the frequency divider are optimized for minimum current consumption. A timing accuracy of 1 ppm is achieved with a programmable, digital frequency adjustment.

The output period and the output pulse width can be programmed. It can be selected between a full output pulse or a chopped output pulse with a duty cycle of 75 %. In addition, a stretching pulse can be added to the primary driving pulse.

Pin RESET is used for stopping the motor, accurate time setting and for an accelerated testing of the watch.

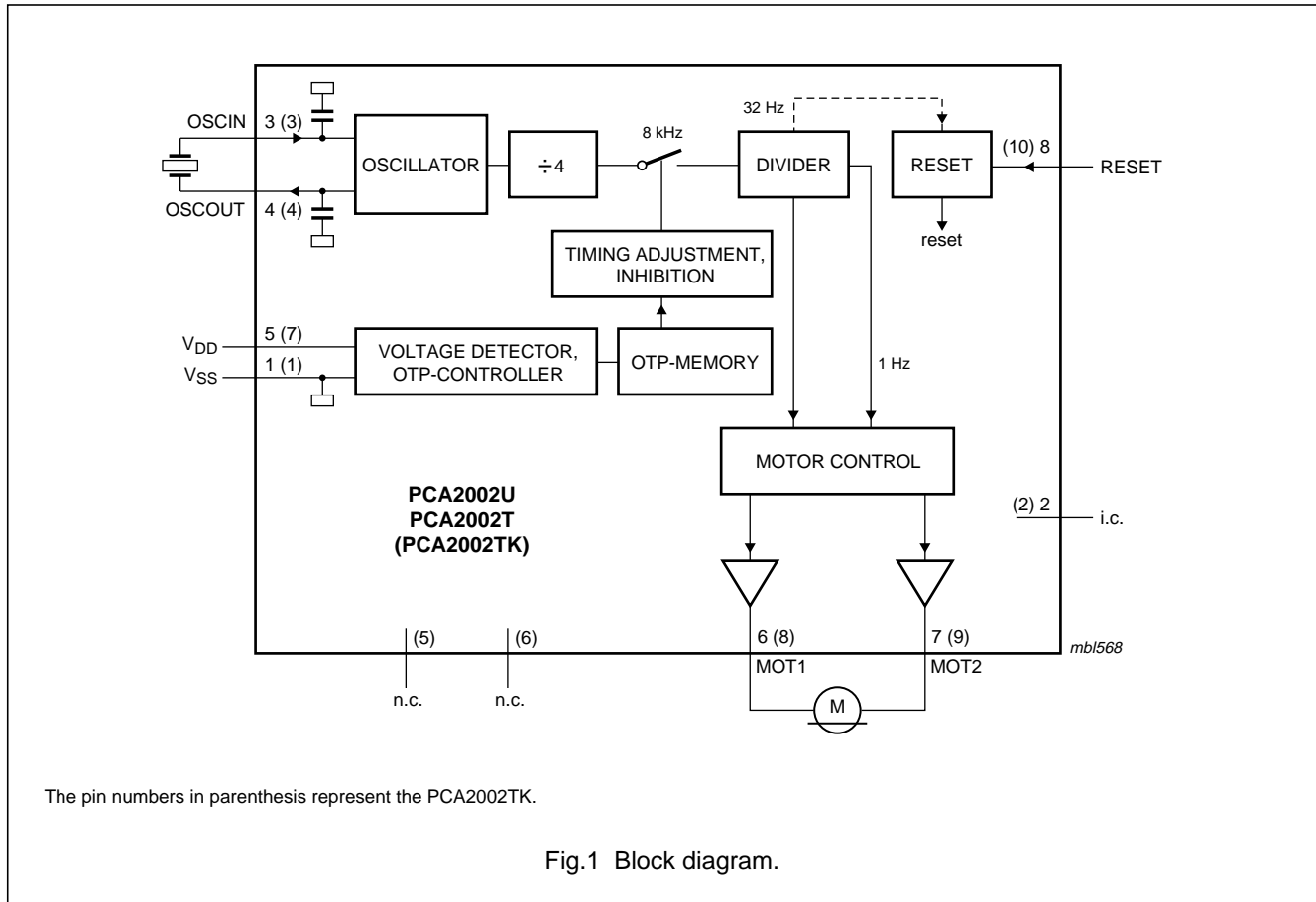
ORDERING INFORMATION

TYPE NUMBER	PACKAGE		
	NAME	DESCRIPTION	VERSION
PCA2002U/AA	–	bare die; chip in tray	–
PCA2002U/10AA	–	bare die; chip on film frame carrier	–
PCA2002T	PMFP8	plastic micro flat package; 8 leads (straight)	SOT144-1
PCA2002TK	HVSON10	plastic thermal enhanced very thin small outline package; no leads; 10 terminals; body 3 × 3 × 0.85 mm	SOT650-1

32 kHz watch circuit with programmable output period and pulse width

PCA2002

BLOCK DIAGRAM



PINNING

SYMBOL	PAD	PIN			DESCRIPTION
	PCA2002U	PCA2002T	PCA2002TK		
V _{SS}	1	1	1	ground	
i.c.	2	2	2	internally connected	
OSCIN	3	3	3	oscillator input	
OSCOUT	4	4	4	oscillator output	
n.c.	—	—	5	not connected	
n.c.	—	—	6	not connected	
V _{DD}	5	5	7	supply voltage	
MOT1	6	6	8	motor 1 output	
MOT2	7	7	9	motor 2 output	
RESET	8	8	10	reset input	

32 kHz watch circuit with programmable output period and pulse width

PCA2002

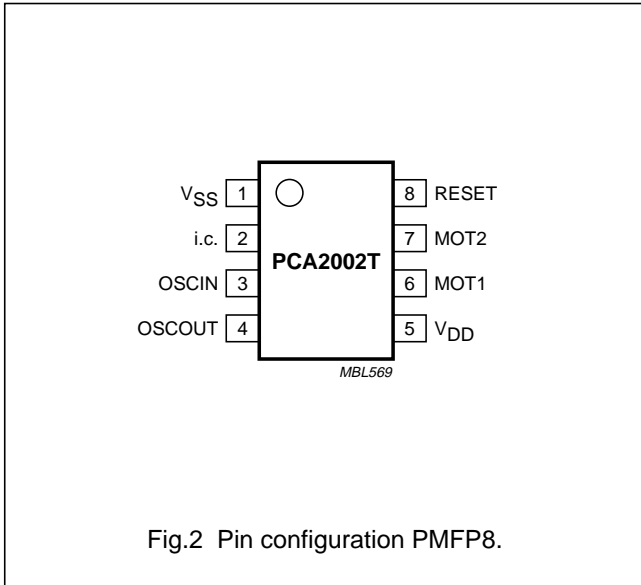


Fig.2 Pin configuration PMFP8.

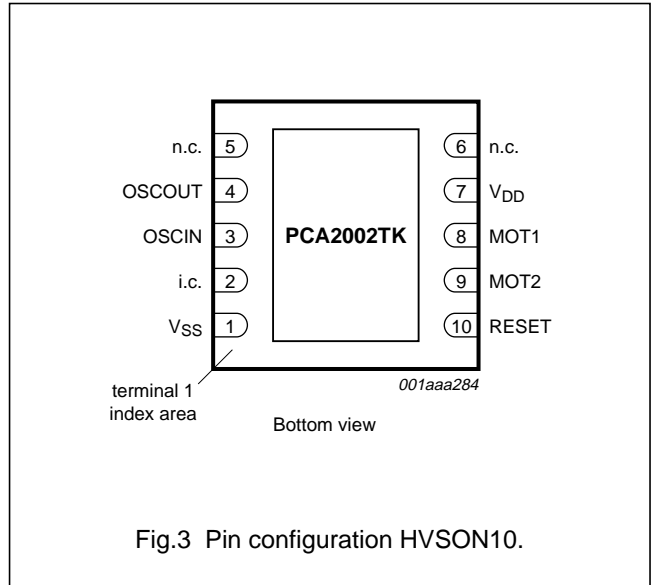


Fig.3 Pin configuration HVSON10.

FUNCTIONAL DESCRIPTION

Motor pulse

The motor driver delivers pulses with an alternating polarity. The output waveform across the motor terminals is illustrated in Fig.4. Between the motor pulses, both terminals are connected to V_{DD} which means that the motor is short-circuited.

The following parameters can be selected and are stored in a One Time Programmable (OTP) memory:

- Output periods of 1 s, 5 s, 10 s, 20 s and 30 s
- Pulse width (t_p) between 0.98 ms and 7.8 ms in steps of 0.98 ms
- Full or chopped (75 %) output pulse
- Pulse stretching: an enlargement pulse is added to the primary motor pulse. This enlargement pulse has a duty cycle of 25 % and a width which is twice the programmed motor pulse width.

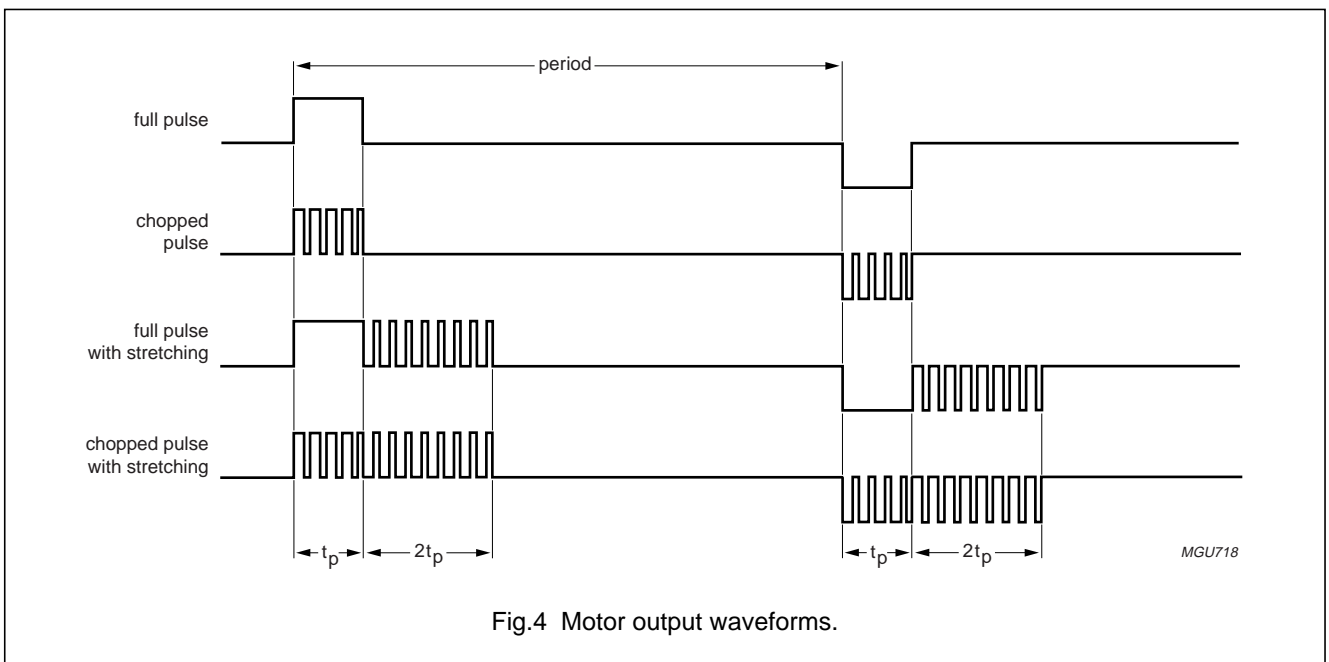


Fig.4 Motor output waveforms.

32 kHz watch circuit with programmable output period and pulse width

PCA2002

Time calibration

The crystal oscillator has an integrated load capacitance of 5 pF, which is lower than the specified load capacitance of 8.2 pF for the quartz crystal.

It oscillates therefore, at a frequency which is typically 60 ppm higher than 32.768 kHz. This positive frequency offset is then compensated by removing, every minute or every two minutes, the appropriate number of 8192 Hz pulses (maximum 127 pulses) of the divider chain. The timing correction is given in Table 1.

After measuring the effective oscillator frequency, the number of correction pulses must be calculated and stored

together with the calibration period in the OTP memory; see Section "Programming procedure".

The oscillator frequency can be measured at pad RESET, where a square wave signal with the frequency of

$$\frac{1}{1024} \times f_{osc}$$

This frequency shows a jitter every minute or every two minutes, depending on the programmed calibration period, which originates from the time calibration.

Details on how to measure the oscillator frequency and the programmed inhibition time are given in Section "Programming procedure".

Table 1 Timing correction

CALIBRATION PERIOD (min)	CORRECTION PER STEP (N = 1)		CORRECTION PER STEP (N = 127)	
	ppm	s/day	ppm	s/day
1	2.03	0.176	258	22.3
2	1.017	0.088	129	11.15

Reset

At pin RESET an output signal with a frequency of

$$\frac{1}{1024} \times f_{osc} = 32 \text{ Hz}$$

Connecting pin RESET to V_{DD} stops the motor drive and opens the motor switches.

After releasing pin RESET, the first motor pulse is generated exactly one period later with the opposite

polarity to the last pulse before stopping. The debounce time for the reset function is between 31 ms and 62 ms.

Connecting pin RESET to V_{SS} activates the test mode. In this mode the motor output frequency is 32 Hz, which can be used to test the mechanical function of the watch.

Programming possibilities

The programming data is stored in two words; see Table 2.

Table 2 Words and bits

WORD	BIT							
	1	2	3	4	5	6	7	8
A	number of 8192 Hz pulses to be removed							calibration period
B	pulse width			output period			duty cycle	pulse stretching

32 kHz watch circuit with programmable output period and pulse width

PCA2002

Table 3 Description of word A bits

BIT	VALUE	DESCRIPTION
Inhibit time		
1 to 7	–	the number of the 8192 Hz pulses to be removed (binary coded; MSB = A1, LSB = A7)
Calibration period		
8	0	1 minute
	1	2 minutes

Table 4 Description of word B bits

BIT	VALUE	DESCRIPTION
Pulse width t_p (ms)		
1 to 3	000	0.98
	001	1.95
	010	2.9
	011	3.9
	100	4.9
	101	5.9
	110	6.8
	111	7.8
Output period (s)		
4 to 6	000	1
	001	5
	010	10
	011	20
	100	30
Duty cycle of motor pulse		
7	0	75 %
	1	100 %
Pulse stretching		
8	0	no pulse stretching
	1	a pulse width of $2t_p$ and a duty factor of 25 % is added

General start up sequence

You must follow the next sequence to ensure the correct operation at start up:

1. Apply the supply voltage to the circuit.
2. Wait at least two seconds.
3. Connect pin RESET to pin V_{DD} for a minimum of 62 ms (this activates the stop mode).
4. Disconnect pin RESET from pin V_{DD} (this resets the circuit to normal operating mode).

After this sequence the memory contents are read immediately and the programmed options are set. This sequence also resets all major circuit blocks and ensures that they function correctly.

To ensure that the oscillator starts up correctly you must execute a reset sequence (see Fig.5).

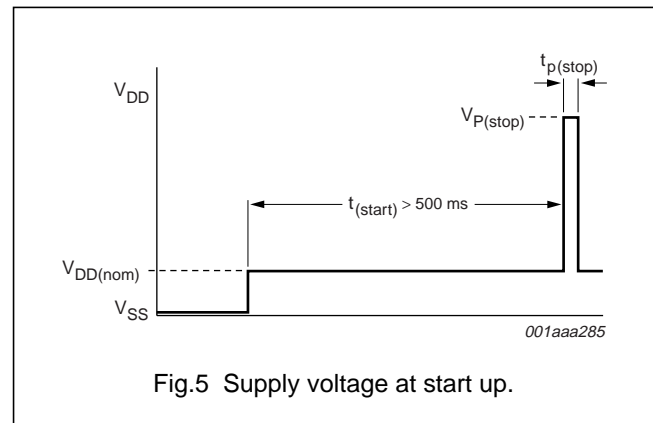


Fig.5 Supply voltage at start up.

Programming procedure

For a watch it is essential that the timing calibration can be made after the watch is fully assembled. In this situation, the supply pins are often the only terminals which are still accessible.

Writing to the OTP cells and performing the related functional checks is achieved in the PCA2002 by modulating the supply voltage. The necessary control circuit consists basically of a voltage level detector, an instruction state counter (which determines the function to be performed) and an 8-bit shift register which allows writing the OTP cells of an 8-bit word in one step and which acts as data pointer for checking the OTP content.

32 kHz watch circuit with programmable output period and pulse width

PCA2002

There are four different instruction states:

- State 1; measurement of the crystal oscillator frequency (divided by 1024)
- State 2; measurement of the inhibition time
- State 3; write/check word A
- State 4; write/check word B.

Each instruction state is switched on with a pulse to $V_{P(start)}$. After this large pulse, an initial waiting time of t_0 is required. The programming instructions are then entered by modulating the supply voltage with small pulses of an amplitude $V_{P(mod)}$ and pulse width t_{mod} . The first small pulse defines the start time, the following pulses perform three different functions, depending on the time delay (t_d) from the preceding pulse (see Fig.6):

- $t_d = t_1$ (0.7 ms); increments the instruction counter
- $t_d = t_2$ (1.7 ms); clocks the shift register with D = 0 at the input
- $t_d = t_3$ (2.7 ms); clocks the shift register with D = 1 at the input.

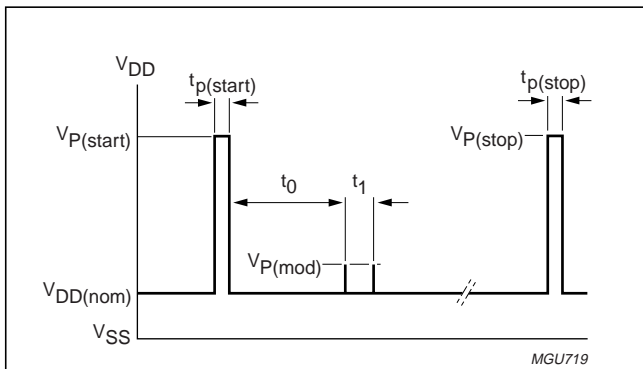


Fig.6 Supply voltage modulation for start and stop of instruction state 2.

The programming procedure requires a stable oscillator, which means that a waiting time, determined by the start-up time of the oscillator, is necessary after power-up of the circuit.

After the $V_{P(start)}$ pulse, the instruction counter is in state 1 and the data shift register is cleared. The instruction state ends with a second pulse to $V_{P(start)}$ or with the pulse to V_{store} . In any event the instruction states are terminated automatically 2 seconds after the last $V_{P(mod)}$ pulse.

MEASUREMENT OF OSCILLATOR FREQUENCY AND INHIBIT TIME

The output of the two measuring states can either be monitored directly at pin RESET or as a modulation of the supply current (a modulating resistor of 30 kΩ is connected between V_{DD} and V_{SS} when the signal at pin RESET is HIGH):

- State 1; crystal oscillator frequency divided by 1024; state 1 starts with a pulse to $V_{P(start)}$ and ends with a second pulse to $V_{P(stop)}$
- State 2; inhibition time (see Fig.7); a frequency with the period of $(31.25 + n \times 0.122)$ ms appears at pin RESET and as current modulation at the supply pin.

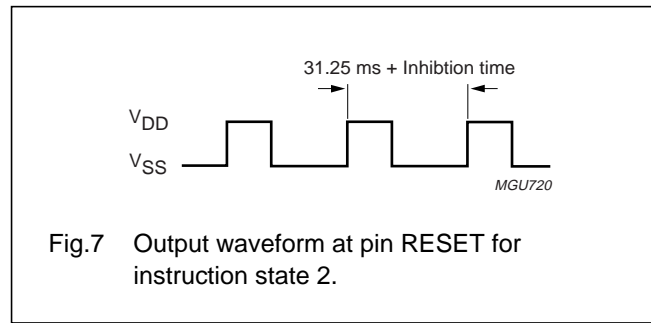


Fig.7 Output waveform at pin RESET for instruction state 2.

PROGRAMMING THE MEMORY CELLS

Applying the two-stage programming pulse (see Fig.8) transfers the stored data in the shift register to the OTP cells.

Perform the following to programme a memory word:

1. Starting with a $V_{P(start)}$ pulse, wait for the time period t_0 then set the instruction counter to the word to be written ($t_d = t_1$)
2. Enter the data to be stored into the shift register ($t_d = t_2$ or t_3), LSB first (bit 8) and MSB last (bit 1)
3. Applying the two-stage programming pulse $V_{pre-store}$ followed by V_{store} stores the word. The delay between the last data bit and the pre-store pulse $V_{pre-store}$ is $t_d = t_4$. Store the word by raising the supply voltage to V_{store} (9.9 V for 100 ms); the delay between the last data bit and the store pulse is $t_d = t_4$ (0.2 ms).

The example shown in Fig.8 performs the following functions: start, setting the instruction counter to state 4 (word B), entering data word 110101 into the shift register (sequence: LSB first and MSB last) and writing the OTP cells for word B.

32 kHz watch circuit with programmable output period and pulse width

PCA2002

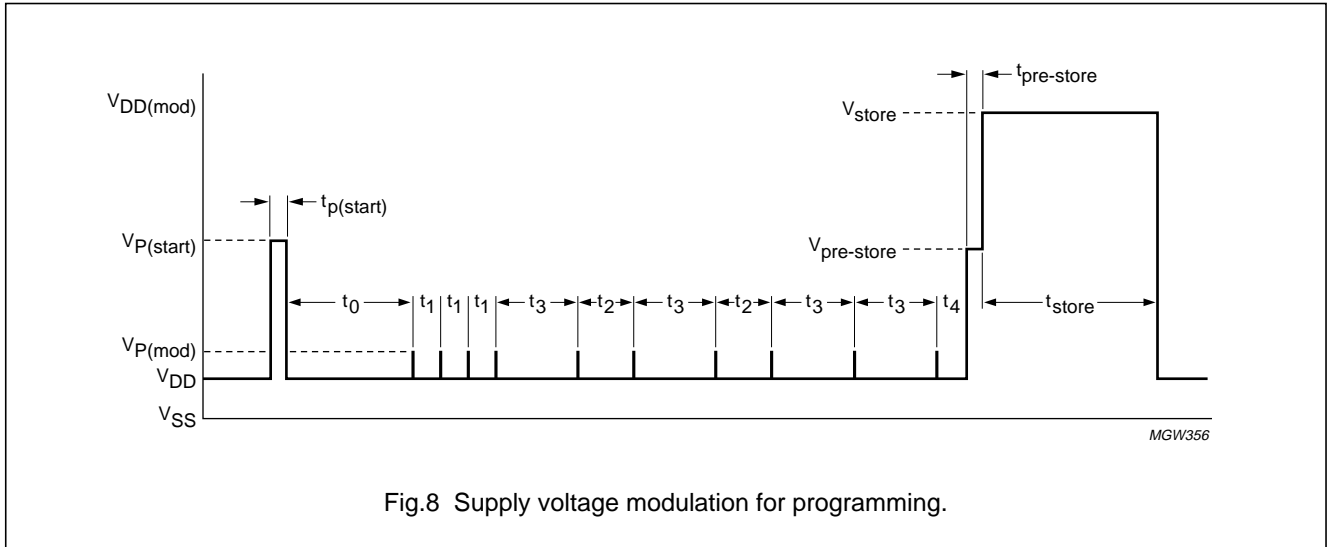


Fig.8 Supply voltage modulation for programming.

CHECKING THE MEMORY CONTENT

The stored data of the OTP array can be checked bit-wise by measuring the supply current. The array word is selected by the instruction state, the bit is addressed by the shift register. To read a word, the word is first selected ($t_d = t_1$) and a logic 1 is written into the first cell of the shift register ($t_d = t_3$).

This logic 1 is then shifted through the entire shift register ($t_d = t_2$, so that it points with each clock pulse to the next bit. If the addressed OTP cell contains a logic 1, a 30 kΩ resistor is connected between V_{DD} and V_{SS} ; this increases the supply current accordingly.

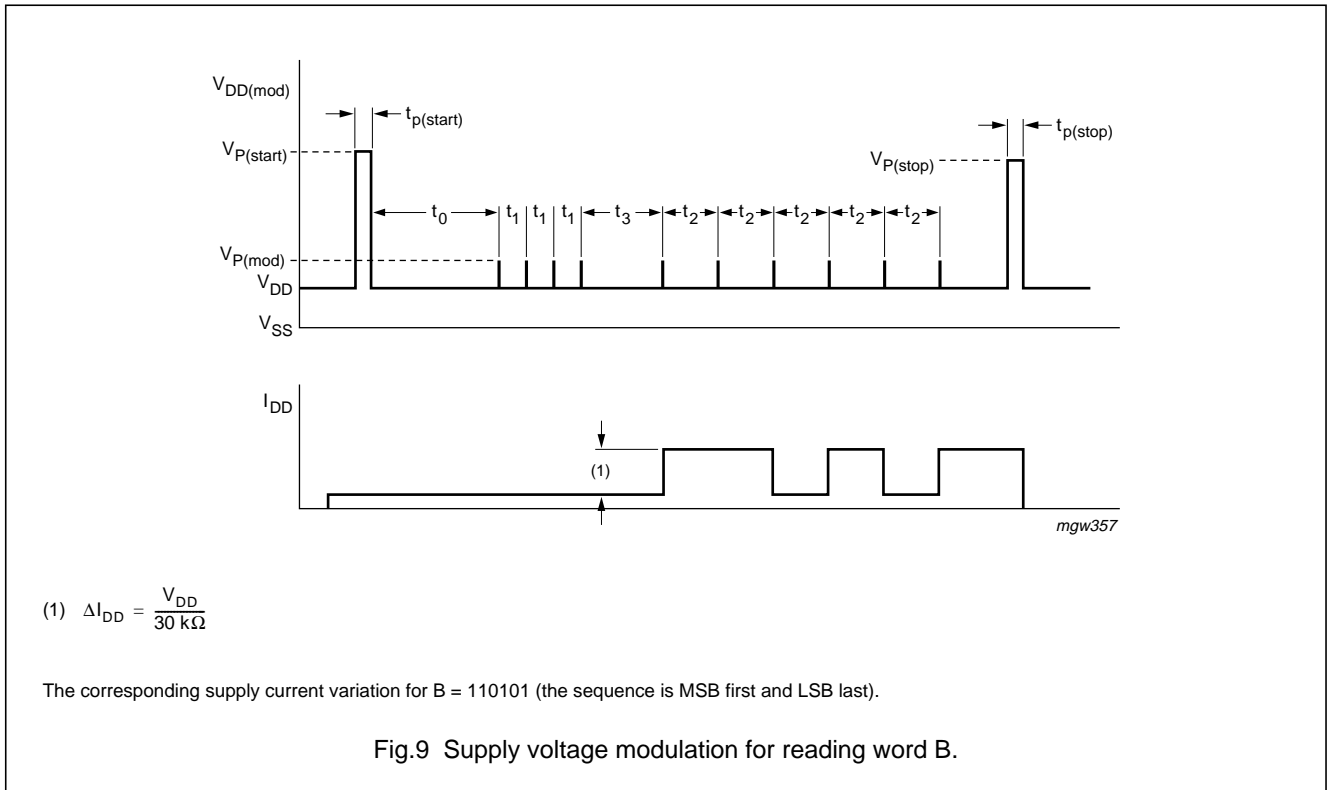


Fig.9 Supply voltage modulation for reading word B.

32 kHz watch circuit with programmable output period and pulse width

PCA2002

Frequency tuning at assembled watch

Figure 10 shows the test set-up for frequency tuning the assembled watch.

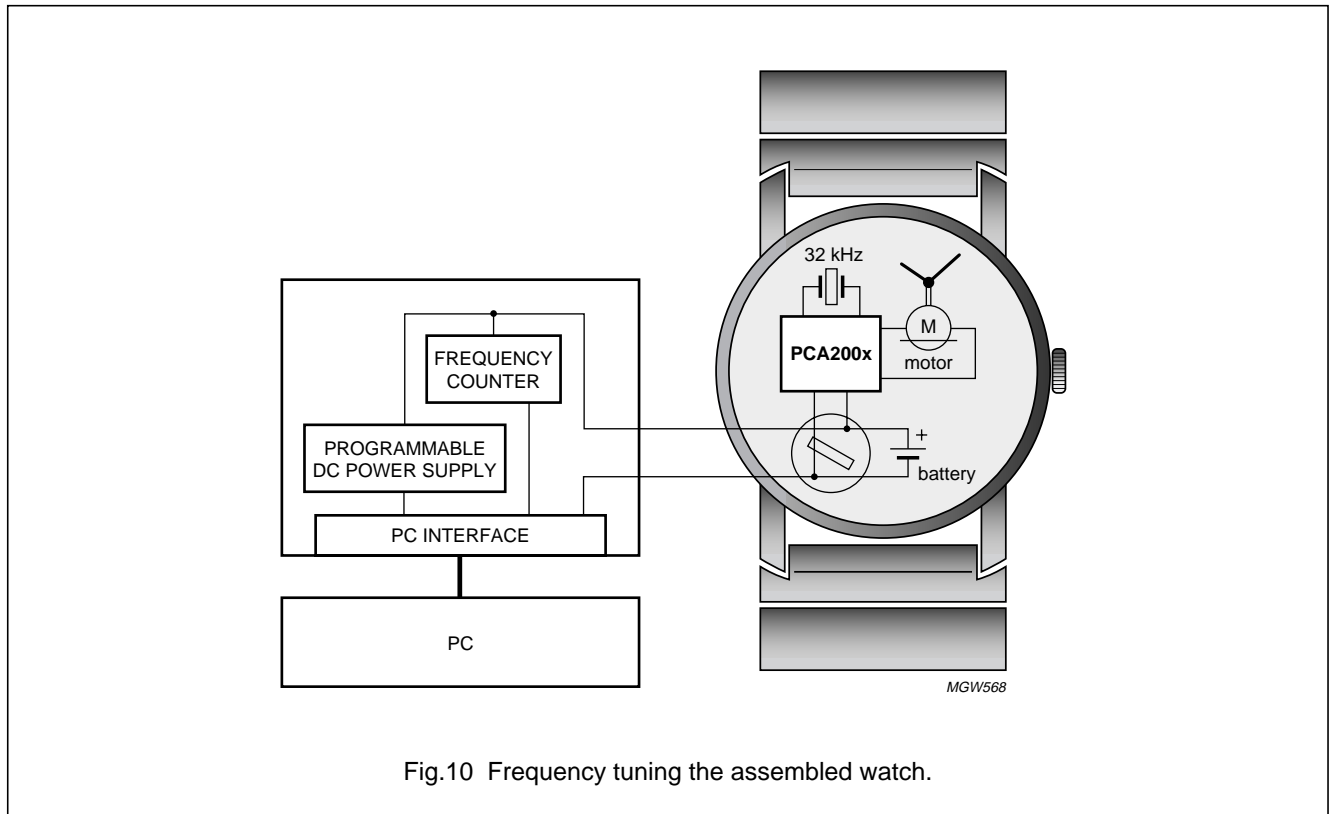


Fig.10 Frequency tuning the assembled watch.

LIMITING VALUES

In accordance with the Absolute Maximum Rating System (IEC 60134).

SYMBOL	PARAMETER	CONDITIONS	MIN.	MAX.	UNIT
V_{DD}	supply voltage	$V_{SS} = 0$ V; notes 1 and 2	-1.8	+7	V
V_I	all input voltages		$V_{SS} - 0.5$	$V_{DD} + 0.5$	V
t_{sc}	short-circuit duration time		indefinite		
T_{amb}	ambient temperature		-10	+60	°C
T_{stg}	storage temperature		-30	+100	°C

Notes

- When writing to the OTP cells, the supply voltage (V_{DD}) can be raised to a maximum of 12 V for a time period of 1 s.
- Connecting the battery with reversed polarity does not destroy the circuit, but in this condition a large current flows which rapidly discharges the battery.

HANDLING

Inputs and outputs are protected against electrostatic discharge in normal handling. However it is good practice to take normal precautions appropriate to handling MOS devices (see "Handling MOS devices").

32 kHz watch circuit with programmable output period and pulse width

PCA2002

CHARACTERISTICS

$V_{DD} = 1.55 \text{ V}$; $V_{SS} = 0 \text{ V}$; $f_{osc} = 32.768 \text{ kHz}$; $T_{amb} = 25 \text{ }^\circ\text{C}$; quartz crystal; $R_s = 40 \text{ k}\Omega$; $C_1 = 2 \text{ to } 3 \text{ fF}$; $C_L = 8.2 \text{ pF}$; unless otherwise specified.

SYMBOL	PARAMETER	CONDITIONS	MIN.	TYP.	MAX.	UNIT
Supplies						
V_{DD}	supply voltage	normal operating mode; $T_{amb} = -10 \text{ }^\circ\text{C to } +60 \text{ }^\circ\text{C}$	1.1	1.55	3.6	V
ΔV_{DD}	supply voltage variation	$\Delta V/\Delta t = 1 \text{ V}/\mu\text{s}$	–	–	0.25	V
I_{DD}	supply current	between motor pulses	–	90	120	nA
		between motor pulses at $V_{DD} = 3.5 \text{ V}$	–	120	180	nA
		$T_{amb} = -10 \text{ }^\circ\text{C to } +60 \text{ }^\circ\text{C}$	–	–	200	nA
		stop mode; pin RESET connected to V_{DD}	–	100	135	nA
Motor output						
V_{sat}	saturation voltage $\Sigma(P + N)$	$R_M = 2 \text{ k}\Omega$; $T_{amb} = -10 \text{ }^\circ\text{C to } +60 \text{ }^\circ\text{C}$	–	150	200	mV
$Z_{o(sc)}$	short-circuit impedance	between motor pulses; $I_{motor} < 1 \text{ mA}$	–	200	300	Ω
Oscillator						
V_{start}	starting voltage		1.1	–	–	V
g_m	transconductance	$V_{OSCIN} \leq 50 \text{ mV (p-p)}$	5	10	–	μS
t_{su}	start-up time		–	0.3	0.9	s
$\Delta f/f$	frequency stability	$\Delta V_{DD} = 100 \text{ mV}$	–	0.05	0.2	ppm
C_L	integrated load capacitance		4.3	5.2	6.3	pF
R_{par}	parasitic resistance	allowed resistance between adjacent pins	20	–	–	$\text{M}\Omega$
Reset						
f_o	output frequency		–	32	–	Hz
ΔV_o	output voltage swing	$R_L = 1 \text{ M}\Omega$; $C_L = 10 \text{ pF}$	1.4	–	–	V
t_r	rise time	$R_L = 1 \text{ M}\Omega$; $C_L = 10 \text{ pF}$	–	1	–	μs
t_f	fall time	$R_L = 1 \text{ M}\Omega$; $C_L = 10 \text{ pF}$	–	1	–	μs
$I_{i(av)}$	average input current	pin RESET connected to V_{DD} or V_{SS}	–	10	20	nA

32 kHz watch circuit with programmable output period and pulse width

PCA2002

OTP PROGRAMMING CHARACTERISTICS

SYMBOL	PARAMETER ⁽¹⁾	MIN.	TYP.	MAX.	UNIT
V_{DD}	supply voltage during programming procedure	1.5	–	3.0	V
$V_{P(start)}$	supply voltage for starting programming procedure	6.6	–	6.8	V
$V_{P(stop)}$	supply voltage for stopping programming procedure	6.2	–	6.4	V
$V_{P(mod)}$	supply voltage modulation for entering instructions	320	350	380	mV
$V_{pre-store}$	supply voltage for pre-store pulse	6.2	–	6.4	V
V_{store}	supply voltage for writing to the OTP cells	9.9	10.0	10.1	V
I_{store}	supply current for writing to the OTP cells	–	–	10	mA
$t_{p(start)}$	pulse width of start pulse	8	10	12	ms
$t_{p(stop)}$	pulse width of stop pulse	0.05	–	0.5	ms
t_{mod}	modulation pulse width	25	30	40	μ s
$t_{pre-store}$	pulse width of pre-store pulse	0.05	–	0.5	ms
t_{store}	pulse width for writing to the OTP cells	95	100	110	ms
t_0	waiting time after start pulse	20	–	30	ms
t_1	pulse distance for incrementing the state counter	0.6	0.7	0.8	ms
t_2	pulse distance for clocking the data register with data = logic 0	1.6	1.7	1.8	ms
t_3	pulse distance for clocking the data register with data = logic 1	2.6	2.7	2.8	ms
t_4	waiting time for writing to the OTP cells	0.1	0.2	0.3	ms
SR	slew rate for modulation of the supply voltage	0.5	–	5	V/ μ s
R_{read}	read out resistor for supply current modulation	18	30	45	k Ω

Note

1. Programme each word once only.

32 kHz watch circuit with programmable output period and pulse width

PCA2002

BONDING PAD LOCATIONS

SYMBOL	PAD	COORDINATES ⁽¹⁾	
		x	y
V _{SS} ⁽²⁾	1	-480	+330
i.c. ⁽³⁾	2	-480	+160
OSCIN	3	-480	-160
OSCOUT	4	-480	-330
V _{DD}	5	+480	-330
MOT1	6	+480	-160
MOT2	7	+480	+160
RESET	8	+480	+330

Notes

1. All coordinates are referenced, in μm , to the centre of the die (see Fig.11).
2. The substrate (rear side of the chip) is connected to V_{SS}. Therefore, the die pad must be either floating or connected to V_{SS}.
3. Pad i.c. is used for factory tests; in normal operation it should be left open-circuit, and it has an internal pull-down resistance to V_{SS}.

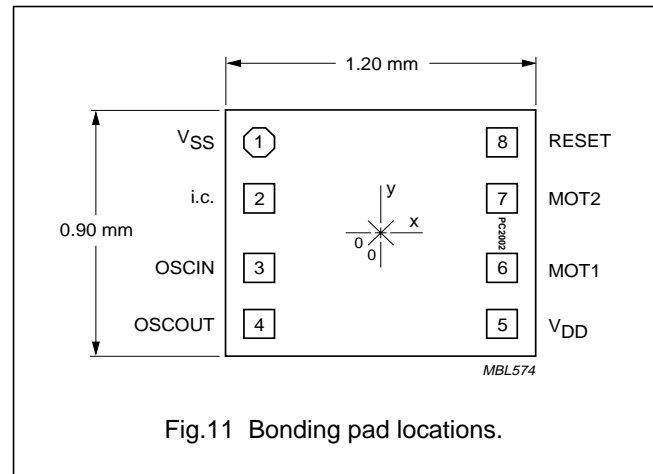


Fig.11 Bonding pad locations.

Table 5 Mechanical chip data; note 1

PARAMETER	VALUE
Bonding pad:	
metal	96 × 96 μm
opening	86 × 86 μm

Note

1. The substrate of the chip is connected to V_{SS}. The pad i.c. is used for factory test, in normal operation it should be left open-circuit. The pad i.c. has an internal pull-down resistor connected to V_{SS}.

32 kHz watch circuit with programmable output period and pulse width

PCA2002

TRAY INFORMATION

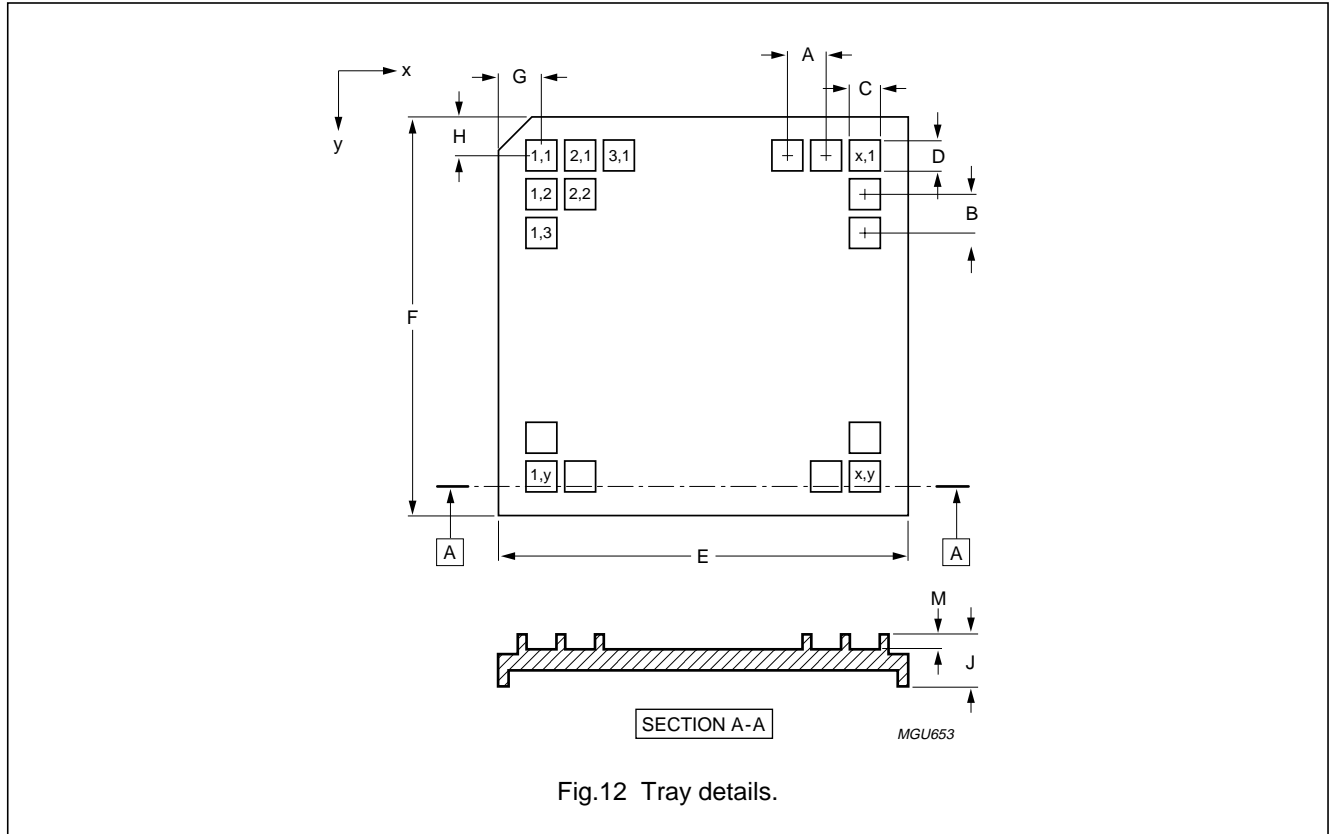
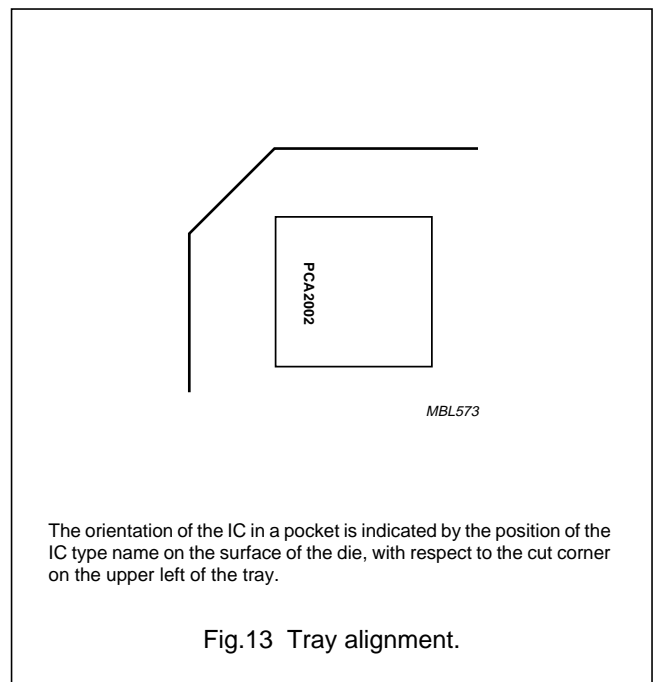


Table 6 Tray dimensions

DIMENSION	DESCRIPTION	VALUE
A	pocket pitch; x direction	2.15 mm
B	pocket pitch; y direction	2.43 mm
C	pocket width; x direction	1.01 mm
D	pocket width; y direction	1.39 mm
E	tray width; x direction	50.67 mm
F	tray width; y direction	50.67 mm
G	distance from cut corner to pocket (1 and 1) centre	4.86 mm
H	distance from cut corner to pocket (1 and 1) centre	4.66 mm
J	tray thickness	3.94 mm
M	pocket depth	0.61 mm
x	number of pockets in x direction	20
y	number of pockets in y direction	18



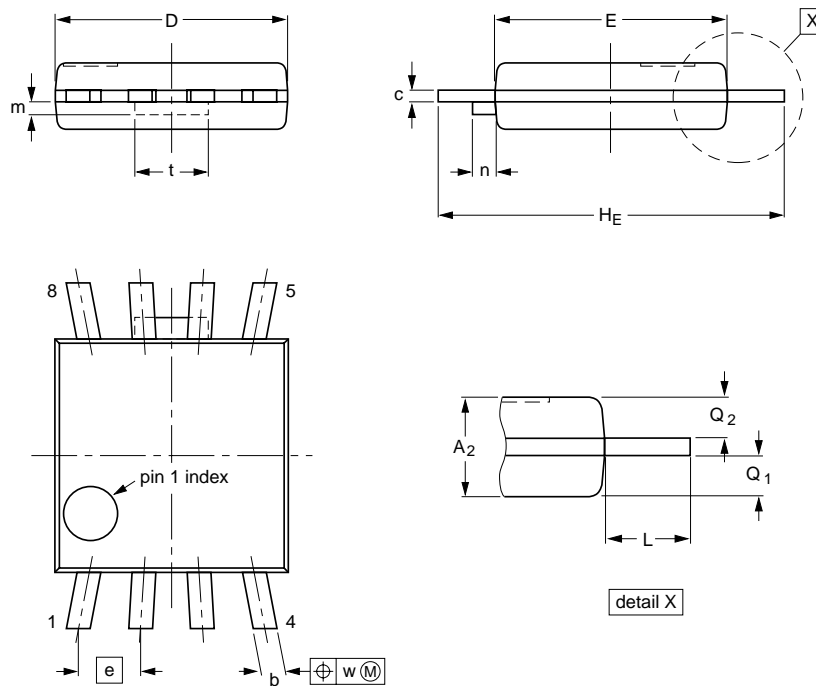
32 kHz watch circuit with programmable output period and pulse width

PCA2002

PACKAGE OUTLINE

PMFP8: plastic micro flat package; 8 leads (straight)

SOT144-1



DIMENSIONS (mm are the original dimensions)

UNIT	A ₂	b	c	D ⁽¹⁾	E ⁽¹⁾	e	H _E	L	m max.	n max.	Q ₁	Q ₂	t	w
mm	0.9 0.7	0.40 0.25	0.19 0.12	3.1 2.9	3.1 2.9	0.8	4.6 4.4	0.75	0.26	0.3	0.4 0.3	0.4 0.3	0.95	0.1

Note

1. Plastic or metal protrusions of 0.15 mm maximum per side are not included.

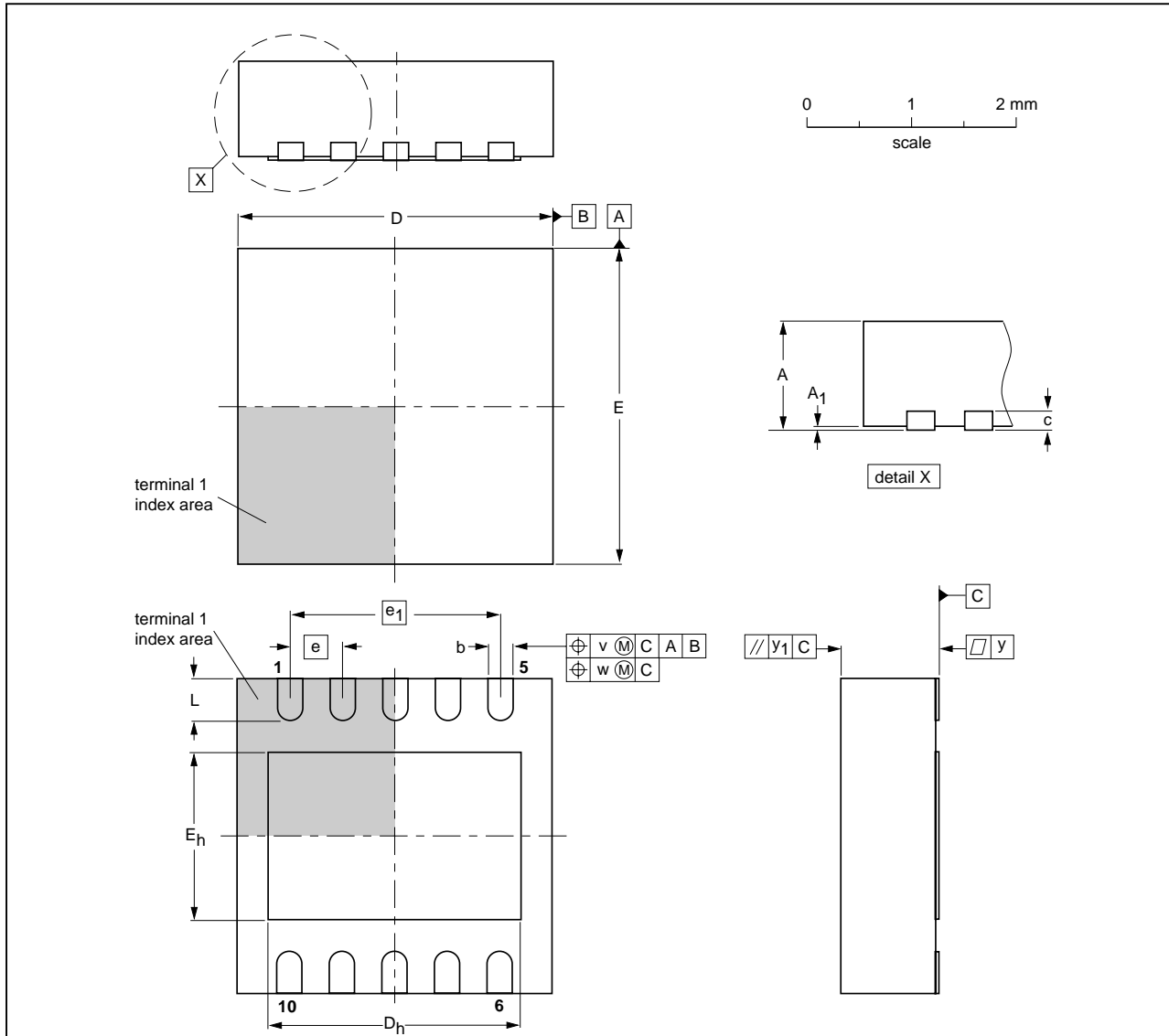
OUTLINE VERSION	REFERENCES				EUROPEAN PROJECTION	ISSUE DATE
	IEC	JEDEC	JEITA			
SOT144-1						95-01-24 03-03-12

32 kHz watch circuit with programmable output period and pulse width

PCA2002

HVSON10: plastic thermal enhanced very thin small outline package; no leads; 10 terminals; body 3 x 3 x 0.85 mm

SOT650-1



DIMENSIONS (mm are the original dimensions)

UNIT	A ⁽¹⁾ max.	A ₁	b	c	D ⁽¹⁾	D _h	E ⁽¹⁾	E _h	e	e ₁	L	v	w	y	y ₁
mm	1	0.05 0.00	0.30 0.18	0.2	3.1 2.9	2.55 2.15	3.1 2.9	1.75 1.45	0.5	2	0.55 0.30	0.1	0.05	0.05	0.1

Note

1. Plastic or metal protrusions of 0.075 mm maximum per side are not included.

OUTLINE VERSION	REFERENCES				EUROPEAN PROJECTION	ISSUE DATE
	IEC	JEDEC	JEITA			
SOT650-1	---	MO-229	---			01-01-22 02-02-08

32 kHz watch circuit with programmable output period and pulse width

PCA2002

SOLDERING

Introduction to soldering surface mount packages

This text gives a very brief insight to a complex technology. A more in-depth account of soldering ICs can be found in our "Data Handbook IC26; Integrated Circuit Packages" (document order number 9398 652 90011).

There is no soldering method that is ideal for all surface mount IC packages. Wave soldering can still be used for certain surface mount ICs, but it is not suitable for fine pitch SMDs. In these situations reflow soldering is recommended.

Reflow soldering

Reflow soldering requires solder paste (a suspension of fine solder particles, flux and binding agent) to be applied to the printed-circuit board by screen printing, stencilling or pressure-syringe dispensing before package placement. Driven by legislation and environmental forces the worldwide use of lead-free solder pastes is increasing.

Several methods exist for reflowing; for example, convection or convection/infrared heating in a conveyor type oven. Throughput times (preheating, soldering and cooling) vary between 100 and 200 seconds depending on heating method.

Typical reflow peak temperatures range from 215 to 270 °C depending on solder paste material. The top-surface temperature of the packages should preferably be kept:

- below 225 °C (SnPb process) or below 245 °C (Pb-free process)
 - for all BGA, HTSSON-T and SSOP-T packages
 - for packages with a thickness ≥ 2.5 mm
 - for packages with a thickness < 2.5 mm and a volume ≥ 350 mm³ so called thick/large packages.
- below 240 °C (SnPb process) or below 260 °C (Pb-free process) for packages with a thickness < 2.5 mm and a volume < 350 mm³ so called small/thin packages.

Moisture sensitivity precautions, as indicated on packing, must be respected at all times.

Wave soldering

Conventional single wave soldering is not recommended for surface mount devices (SMDs) or printed-circuit boards with a high component density, as solder bridging and non-wetting can present major problems.

To overcome these problems the double-wave soldering method was specifically developed.

If wave soldering is used the following conditions must be observed for optimal results:

- Use a double-wave soldering method comprising a turbulent wave with high upward pressure followed by a smooth laminar wave.
- For packages with leads on two sides and a pitch (e):
 - larger than or equal to 1.27 mm, the footprint longitudinal axis is **preferred** to be parallel to the transport direction of the printed-circuit board;
 - smaller than 1.27 mm, the footprint longitudinal axis **must** be parallel to the transport direction of the printed-circuit board.

The footprint must incorporate solder thieves at the downstream end.

- For packages with leads on four sides, the footprint must be placed at a 45° angle to the transport direction of the printed-circuit board. The footprint must incorporate solder thieves downstream and at the side corners.

During placement and before soldering, the package must be fixed with a droplet of adhesive. The adhesive can be applied by screen printing, pin transfer or syringe dispensing. The package can be soldered after the adhesive is cured.

Typical dwell time of the leads in the wave ranges from 3 to 4 seconds at 250 °C or 265 °C, depending on solder material applied, SnPb or Pb-free respectively.

A mildly-activated flux will eliminate the need for removal of corrosive residues in most applications.

Manual soldering

Fix the component by first soldering two diagonally-opposite end leads. Use a low voltage (24 V or less) soldering iron applied to the flat part of the lead. Contact time must be limited to 10 seconds at up to 300 °C.

When using a dedicated tool, all other leads can be soldered in one operation within 2 to 5 seconds between 270 and 320 °C.

32 kHz watch circuit with programmable output period and pulse width

PCA2002

Suitability of surface mount IC packages for wave and reflow soldering methods

PACKAGE ⁽¹⁾	SOLDERING METHOD	
	WAVE	REFLOW ⁽²⁾
BGA, HTSSON..T ⁽³⁾ , LBGA, LFBGA, SQFP, SSOP..T ⁽³⁾ , TFBGA, USON, VFBGA	not suitable	suitable
DHVQFN, HBCC, HBGA, HLQFP, HSO, HSOP, HSQFP, HSSON, HTQFP, HTSSOP, HVQFN, HVSON, SMS	not suitable ⁽⁴⁾	suitable
PLCC ⁽⁵⁾ , SO, SOJ	suitable	suitable
LQFP, QFP, TQFP	not recommended ⁽⁵⁾⁽⁶⁾	suitable
SSOP, TSSOP, VSO, VSSOP	not recommended ⁽⁷⁾	suitable
CWQCCN..L ⁽⁸⁾ , PMFP ⁽⁹⁾ , WQCCN..L ⁽⁸⁾	not suitable	not suitable

Notes

- For more detailed information on the BGA packages refer to the “(LF)BGA Application Note” (AN01026); order a copy from your Philips Semiconductors sales office.
- All surface mount (SMD) packages are moisture sensitive. Depending upon the moisture content, the maximum temperature (with respect to time) and body size of the package, there is a risk that internal or external package cracks may occur due to vaporization of the moisture in them (the so called popcorn effect). For details, refer to the Drypack information in the “Data Handbook IC26; Integrated Circuit Packages; Section: Packing Methods”.
- These transparent plastic packages are extremely sensitive to reflow soldering conditions and must on no account be processed through more than one soldering cycle or subjected to infrared reflow soldering with peak temperature exceeding $217\text{ °C} \pm 10\text{ °C}$ measured in the atmosphere of the reflow oven. The package body peak temperature must be kept as low as possible.
- These packages are not suitable for wave soldering. On versions with the heatsink on the bottom side, the solder cannot penetrate between the printed-circuit board and the heatsink. On versions with the heatsink on the top side, the solder might be deposited on the heatsink surface.
- If wave soldering is considered, then the package must be placed at a 45° angle to the solder wave direction. The package footprint must incorporate solder thieves downstream and at the side corners.
- Wave soldering is suitable for LQFP, TQFP and QFP packages with a pitch (e) larger than 0.8 mm; it is definitely not suitable for packages with a pitch (e) equal to or smaller than 0.65 mm.
- Wave soldering is suitable for SSOP, TSSOP, VSO and VSSOP packages with a pitch (e) equal to or larger than 0.65 mm; it is definitely not suitable for packages with a pitch (e) equal to or smaller than 0.5 mm.
- Image sensor packages in principle should not be soldered. They are mounted in sockets or delivered pre-mounted on flex foil. However, the image sensor package can be mounted by the client on a flex foil by using a hot bar soldering process. The appropriate soldering profile can be provided on request.
- Hot bar or manual soldering is suitable for PMFP packages.

32 kHz watch circuit with programmable output period and pulse width

PCA2002

DATA SHEET STATUS

LEVEL	DATA SHEET STATUS ⁽¹⁾	PRODUCT STATUS ⁽²⁾⁽³⁾	DEFINITION
I	Objective data	Development	This data sheet contains data from the objective specification for product development. Philips Semiconductors reserves the right to change the specification in any manner without notice.
II	Preliminary data	Qualification	This data sheet contains data from the preliminary specification. Supplementary data will be published at a later date. Philips Semiconductors reserves the right to change the specification without notice, in order to improve the design and supply the best possible product.
III	Product data	Production	This data sheet contains data from the product specification. Philips Semiconductors reserves the right to make changes at any time in order to improve the design, manufacturing and supply. Relevant changes will be communicated via a Customer Product/Process Change Notification (CPCN).

Notes

1. Please consult the most recently issued data sheet before initiating or completing a design.
2. The product status of the device(s) described in this data sheet may have changed since this data sheet was published. The latest information is available on the Internet at URL <http://www.semiconductors.philips.com>.
3. For data sheets describing multiple type numbers, the highest-level product status determines the data sheet status.

DEFINITIONS

Short-form specification — The data in a short-form specification is extracted from a full data sheet with the same type number and title. For detailed information see the relevant data sheet or data handbook.

Limiting values definition — Limiting values given are in accordance with the Absolute Maximum Rating System (IEC 60134). Stress above one or more of the limiting values may cause permanent damage to the device. These are stress ratings only and operation of the device at these or at any other conditions above those given in the Characteristics sections of the specification is not implied. Exposure to limiting values for extended periods may affect device reliability.

Application information — Applications that are described herein for any of these products are for illustrative purposes only. Philips Semiconductors make no representation or warranty that such applications will be suitable for the specified use without further testing or modification.

DISCLAIMERS

Life support applications — These products are not designed for use in life support appliances, devices, or systems where malfunction of these products can reasonably be expected to result in personal injury. Philips Semiconductors customers using or selling these products for use in such applications do so at their own risk and agree to fully indemnify Philips Semiconductors for any damages resulting from such application.

Right to make changes — Philips Semiconductors reserves the right to make changes in the products - including circuits, standard cells, and/or software - described or contained herein in order to improve design and/or performance. When the product is in full production (status 'Production'), relevant changes will be communicated via a Customer Product/Process Change Notification (CPCN). Philips Semiconductors assumes no responsibility or liability for the use of any of these products, conveys no licence or title under any patent, copyright, or mask work right to these products, and makes no representations or warranties that these products are free from patent, copyright, or mask work right infringement, unless otherwise specified.

32 kHz watch circuit with programmable output period and pulse width

PCA2002

Bare die — All die are tested and are guaranteed to comply with all data sheet limits up to the point of wafer sawing for a period of ninety (90) days from the date of Philips' delivery. If there are data sheet limits not guaranteed, these will be separately indicated in the data sheet. There are no post packing tests performed on individual die or wafer. Philips Semiconductors has no control of third party procedures in the sawing, handling, packing or assembly of the die. Accordingly, Philips Semiconductors assumes no liability for device functionality or performance of the die or systems after third party sawing, handling, packing or assembly of the die. It is the responsibility of the customer to test and qualify their application in which the die is used.

Philips Semiconductors – a worldwide company

Contact information

For additional information please visit <http://www.semiconductors.philips.com>. Fax: +31 40 27 24825

For sales offices addresses send e-mail to: sales.addresses@www.semiconductors.philips.com.

© Koninklijke Philips Electronics N.V. 2004

SCA76

All rights are reserved. Reproduction in whole or in part is prohibited without the prior written consent of the copyright owner.

The information presented in this document does not form part of any quotation or contract, is believed to be accurate and reliable and may be changed without notice. No liability will be accepted by the publisher for any consequence of its use. Publication thereof does not convey nor imply any license under patent- or other industrial or intellectual property rights.

Printed in The Netherlands

R15/03/pp20

Date of release: 2004 Jan 20

Document order number: 9397 750 11671

Let's make things better.

**Philips
Semiconductors**



PHILIPS