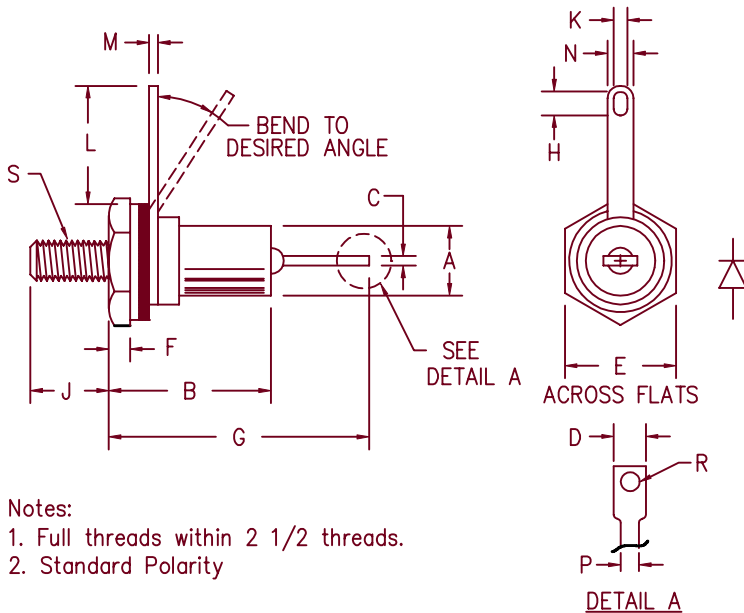


Military Silicon Power Rectifier 99016 — 1N2153



Notes:
1. Full threads within 2 1/2 threads.
2. Standard Polarity

Dim.	Inches		Millimeter		Notes
	Minimum	Maximum	Minimum	Maximum	
A	---	.424	---	---	
B	.400	---	---	---	
C	---	.035	---	---	
D	---	.150	---	---	
F	.062	.150	---	---	
G	.800	1.00	---	---	
H	.110	.140	---	---	
J	.422	.453	---	---	
K	.045	.075	---	---	
L	.530	.600	---	---	
M	.022	.038	---	---	
N	.110	.140	---	---	
R	.060	---	---	---	
S	10-32	NF-2A	---	---	1

Microsemi Catalog Number	Repetitive Peak Reverse Voltage	Transient Peak Reverse Voltage
99016-1N2153	600	600

- MIL-DWG-99016 JAN Equivalent
- Glass Passivated Die
- Glass to metal construction
- Isolated mounting base
- V_{RRM} 600 Volts

Electrical Characteristics		
Average forward current	$I_F(AV)$ 6 Amps	$T_C = 100^\circ C$, Half sine wave, $R_{\theta JC} = 3.0^\circ C/W$ 8.3ms, half sine, $T_J = 100^\circ C$ $I_{FM} = 6A$: $T_C = 25^\circ C$ V_{RRM} , $T_C = 25^\circ C$ V_{RRM} , $T_C = 150^\circ C$
Maximum surge current	I_{FSM} 50 Amps	
Max. peak forward voltage	V_{FM} 1.5 Volts	
Max. peak reverse current per leg	I_{RRM} 50 μA	
Max. peak reverse current per leg	I_{RRM} 1.0 mA	

Thermal and Mechanical Characteristics		
Storage temperature range	T_{STG}	-65°C to 150°C
Operating junction temp range	T_J	-65°C to 150°C
Maximum thermal resistance	$R_{\theta JC}$	3.0°C/W Junction to case
Mounting torque		15 inch pounds maximum (10-32NF screw)
Weight		.3 ounces (8.2 grams) typical

9-26-00 Rev. IR

99016 - 1N2153

Figure 1
Typical Forward Characteristics - Per Leg

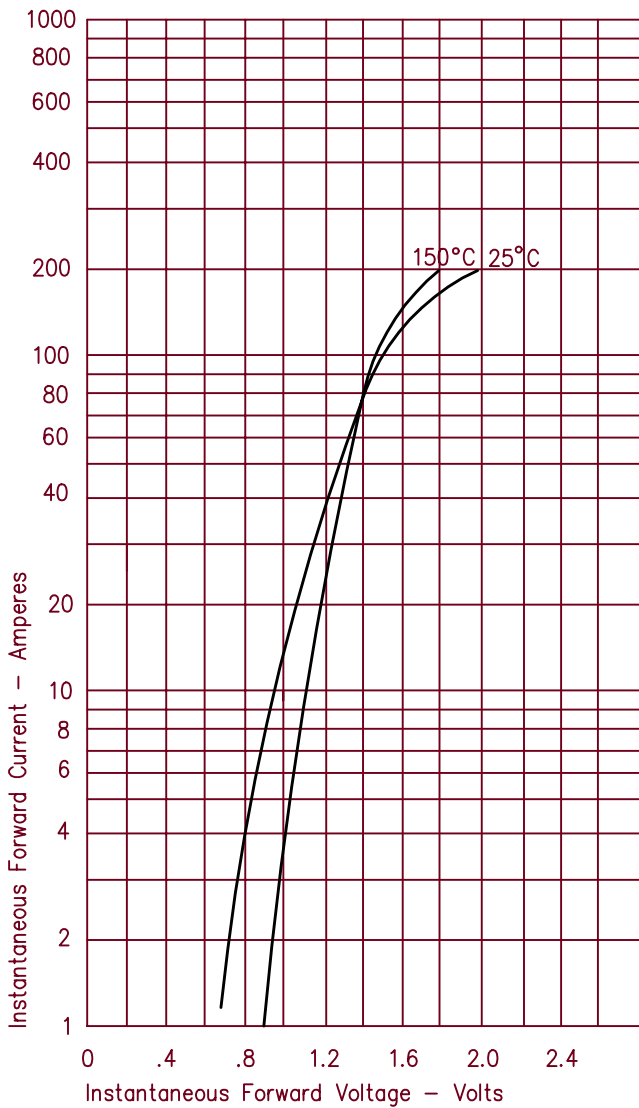


Figure 3
Forward Current Derating - Per Leg

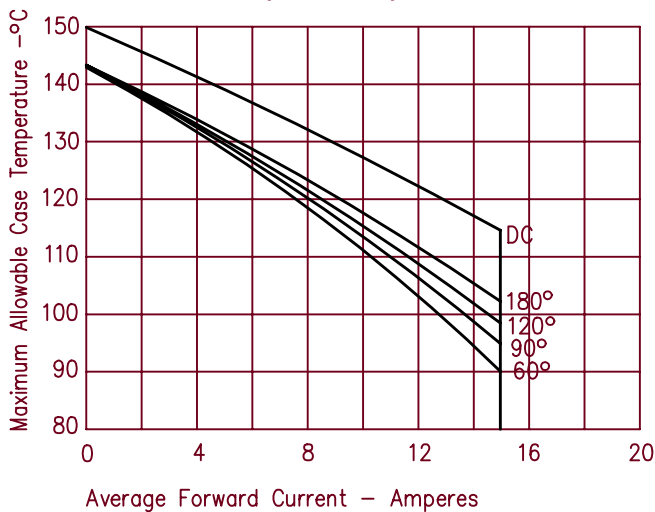


Figure 4
Maximum Forward Power Dissipation - Per Leg

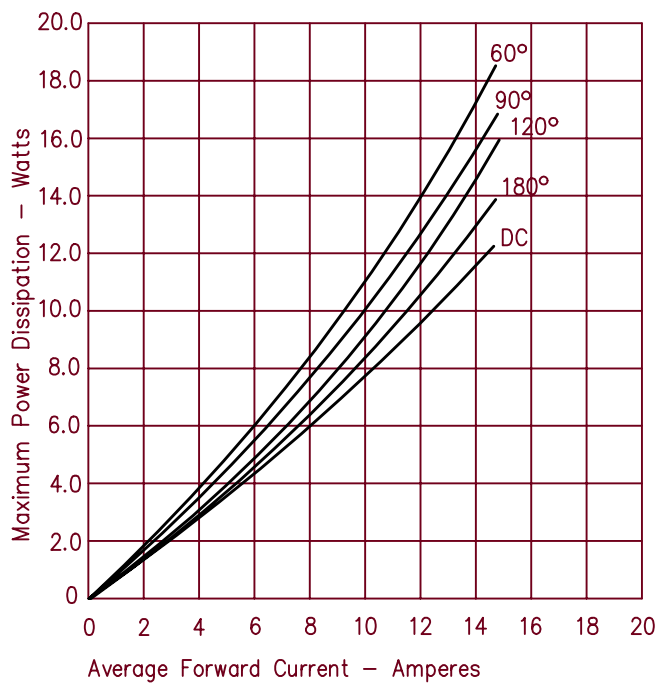


Figure 2
Typical Reverse Characteristics

