

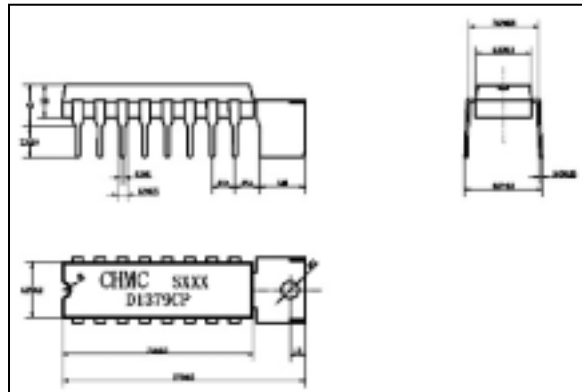


1-CHIP DEFECTION SYSTEM CD1379CP

DESCRIPTION

The CD1379CP consists of a vertical system including function and a horizontal system including an AFC function . It is for use in small size color TV, B/W TV receivers and monitors.

Outline Drawing



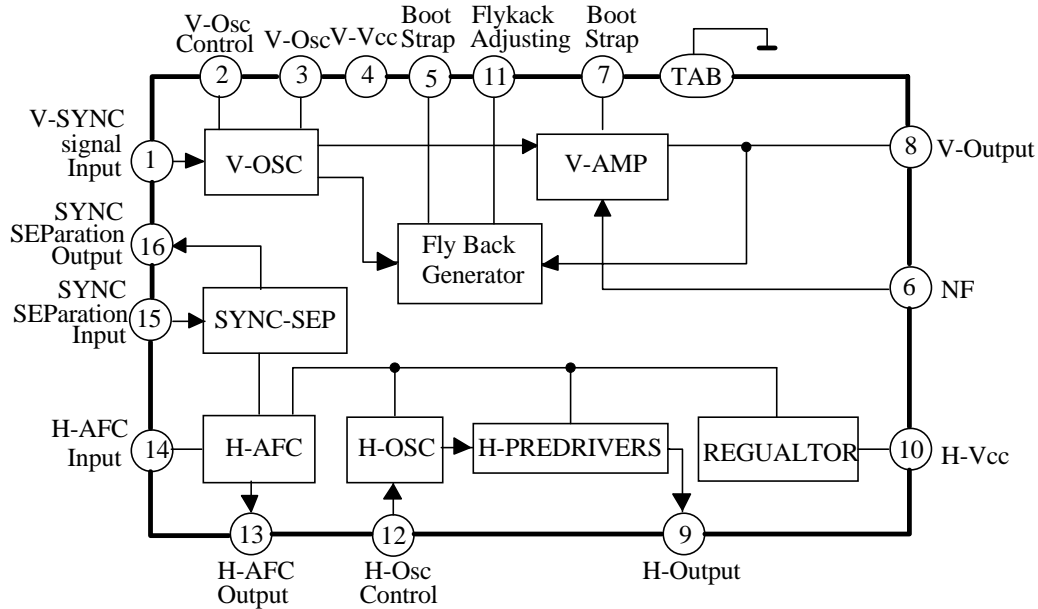
FUNCTIONS

- Horizontal Section
- SYNC separation
- Horizontal Oscillators
- Horizontal Pre-drivers
- Horizontal AFCs
- Shunt Regulator(Typical 6.7V)
- Vertical Section
- Vertical Oscillator
- Vertical Pre-drivers
- Vertical Output
- Fly-back generators

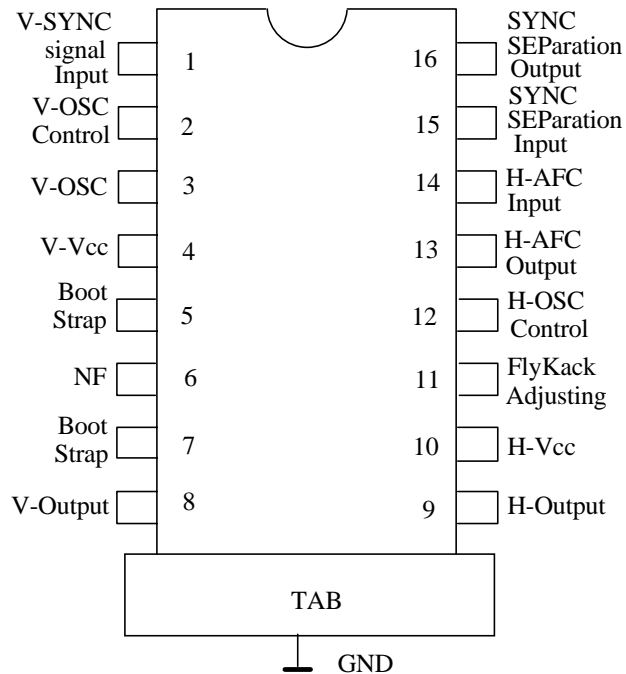
FEATURES:

- Low Power consumption, direct deflection coil driving capability (Fly-back voltage two times as high supply voltage is supplied during fly-back period only)
- Variable circuit of vertical retrace time on chip

BLOCK DIAGRAM



PIN CONNECTION



ABSOLUTE MAXIMUM RATINGS (Ta=25°C)

Characteristic	Symbol	Value	Unit
Vertical Supply Voltage	V _{cc}	15	V
Horizontal Supply Current	I ₁₀	30	mA
Vertical Output Current	I ₈	-500~+500	mA peak
Horizontal Output Current(pulse)	I ₉	-15~+5	mA
Fly-back Generator Output Current	I ₅	-500~+500	mA peak
Power Dissipation(note)	P _D	1.3	W
Operating Temperature	T _{opr}	-20 to +75	°C
Storage Temperature	T _{stg}	-55 to +155	°C

ELECTRICAL CHARACTERISTICS

(unless otherwise specified Ta=25°C, V_{cc}=12V, I₁₀=12mA)

Characteristic	Symbol	Test Condition	Min	Typ	Max	Unit
Recommended Vertical Supply Voltage	V _{cc}		9.6	12	14	V
Horizontal Supply Current	I ₁₀		6.5	12	18	mA
Vertical Supply Current	I _{cc(1)}	SW _A =2		85	100	mA
Vertical Supply Current	I _{cc(2)}	No Input signal , SW _A =2	6	12	20	mA
Vertical free Running Frequency	f _{vo}	SW _A =1	55	60	65	Hz
Drift of Vertical Free-Running Frequency	f _{vo} /V _{cc}	f _{vo} =f _{vo} (14.4V)-f _{vo} (9.6V) SW _A =2		0.8	2	Hz
	f _{vo} /T _A	f _{vo} =f _{vo} (-20°C)-f _{vo} (70°C) SW _A =2		1.5	2	Hz
Vertical Output Center Voltage	V _{mid}	SW _A =2	5.3	5.8	6.3	V
Vertical Output Current	I ₈	SW _A =2	450	500	550	mA _{p-p}
Horizontal Supply Voltage	V ₁₀	SW _B =2	6.2	6.7	7.2	V
Horizontal free running frequency	f _{HO}	I ₁₀ =12mA, SW _B =1	15	15.75	16.5	kHz
Horizontal Output Pulse Width	t _{HPW}	f _{HO} =15.75kHz, SW _B =2	23	25	27	μs
Horizontal Output Current	I ₉	SW _B =2	0.8	1.3	2.0	mA

