



MIC2044/2045

Single Channel, High Current, Low Voltage, Protected Power Distribution Switch

General Description

The MIC2044 and MIC2045 are high-side MOSFET switches optimized for general purpose power distribution applications that require circuit protection. These devices switch up to 5.5V and as low as 0.8V while offering both programmable current limiting and thermal shutdown to protect the device and the load. A fault status output is provided to indicate overcurrent and thermal shutdown fault conditions. Both devices employ soft-start circuitry to minimize the inrush current in applications that employ highly capacitive loads. Additionally, for tighter control over inrush current during start up, the output slew-rate may be adjusted by an external capacitor.

The MIC2045 features a auto-reset circuit breaker that latches the output OFF upon detecting an overcurrent condition lasting more than 32ms. The output is reset by removing or reducing the load.

Data sheets and support documentation can be found on Micrel's web site at www.micrel.com.

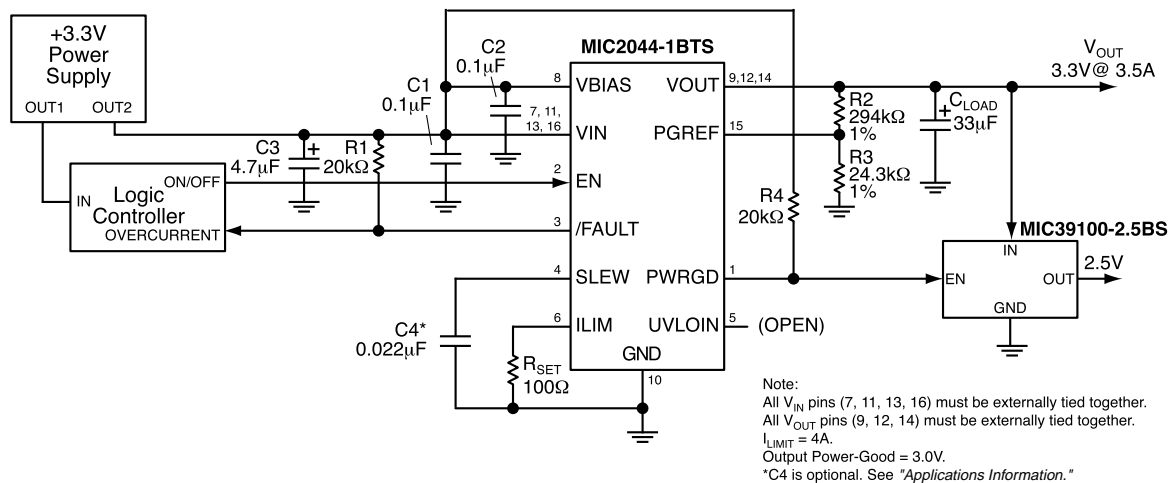
Features

- 30mΩ maximum on-resistance
- 0.8V to 5.5V operating range
- Adjustable current limit
- Up to 6A continuous output current
- Short circuit protection
- Very fast reaction to short circuits
- Thermal shutdown
- Adjustable slew-rate control
- Circuit breaker mode (MIC2045)
- Fault status flag
- Power-Good detection
- Undervoltage lockout
- No reverse current flow through the switching MOSFET when OFF or disabled
- Low quiescent current

Applications

- Docking stations
- LAN servers
- WAN switches
- Hot swap board insertions
- Notebook PCs
- PDAs
- Base stations
- RAID controllers
- USB hosts

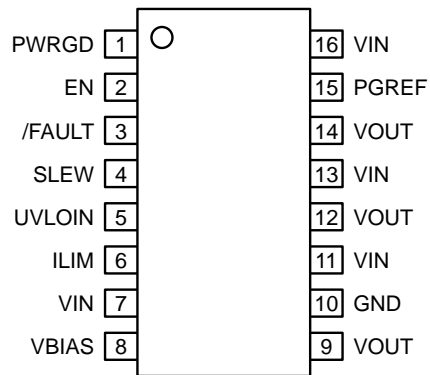
Typical Application



Ordering Information

Part Number	Enable	Circuit Breaker	Package
MIC2044-1BTS	Active-High		16-Pin TSSOP
MIC2044-2BTS	Active-Low		16-Pin TSSOP
MIC2045-1BTS	Active-High	X	16-Pin TSSOP
MIC2045-2BTS	Active-Low	X	16-Pin TSSOP

Pin Configuration



MIC2044/MIC2045
16-Pin TSSOP (TS)

Pin Description

Pin Number	Pin Name	Pin Function
1	PWRGD	Power-Good (Output): Open drain N-Channel device, active high. This pin asserts high when the voltage at PGREF exceeds its threshold.
2	EN	Switch Enable (Input): Gate control pin of the output MOSFET available as an active high (-1) or active low (-2) input signal.
3	/FAULT	Fault Status (Output): Open drain N-Channel device, active low. This pin indicates an overcurrent or thermal shutdown condition. For an overcurrent event, /FAULT is asserted if the duration of the overcurrent condition lasts longer than 32ms.
10	GND	Ground connection: Tie to analog ground.
4	SLEW	Slew-Rate Control (Input): A capacitor connected between this pin and ground will reduce (slow) the output slew-rate. The output turn-on time must be less than the nominal flag delay of 32ms in order to avoid nuisance tripping of the /FAULT output since V_{OUT} must be "fully on" (i.e., within 200mV of the voltage at the input) before the /FAULT signal delay elapses. The slew-rate limiting capacitor requires a 16V rating or greater, 25V is recommended. See "Applications Information: Output Slew-Rate Adjustment" for further details.
6	ILIM	Current Limit (Input): A resistor (R_{SET}) connected from this pin to ground sets the current limit threshold as $I_{LIMIT} = CLF/R_{SET}$. CLF is the current limit factor specified in the "Electrical Characteristics" table. For the MIC2044/45, the continuous output current range is 1A to 6A.
5	UVLOIN	Undervoltage Lockout Adjust (Input): With this pin left open, the UVLO threshold is internally set to 1.45V. When the switching voltage (V_{IN}) is at or below 1.5V, connecting an external resistive divider to this input will lower the UVLO threshold. The total resistance of the divider must be less than 200k Ω . To disable the UVLO, tie this pin to VIN. See "Applications Information" for further detail.
7,11,13,16	VIN	Switch Supply (Input): Connected to the drain of the output MOSFET. The range of input for the switch is 0.8V to 5.5V. These pins must be externally connected together to achieve rated performance.
9,12,14	VOUT	Switch (Output): Connected to the source of the output MOSFET. These pins must be externally connected together to achieve rated performance.
8	VBIAS	Bias Supply (Input): This input pin supplies power to operate the switch and internal circuitry. The input range for VBIAS is 1.6V to 5.5V. When switched voltage (V_{IN}) is between 1.6V to 5.5V and the use of a single supply is desired, connect VBIAS to VIN externally.
15	PGREF	Power-Good Threshold (Input): Analog reference used to specify the PWRGD threshold. When the voltage at this pin exceeds its threshold, V_{TH} , PWRGD is asserted high. An external resistive divider network is used to determine the output voltage level at which V_{TH} is exceeded. See the "Functional Description" for further detail. When the PWRGD signal is not utilized, this input should be tied to VOUT.

Absolute Maximum Ratings (Note 1)

V_{IN} and V_{BIAS}	6V
/FAULT, PWRGD Output Voltage	6V
/FAULT, PWRGD Output Current	25mA
ESD Rating, Note 3	
Human Body Model	2kV
Machine Model	200V

Operating Ratings (Note 2)

Supply Voltage	
V_{IN}	0.8V to 5.5V
V_{BIAS}	1.6V to 5.5V
Continuous Output Current	1A to 6A
Ambient Temperature (T_A)	-40°C to 85°C
Package Thermal Resistance ($R_{\theta(J-A)}$)	
TSSOP	85°C/W

Electrical Characteristics (Note 4)

$V_{IN} = V_{BIAS} = 5V$, $T_A = 25^\circ C$ unless specified otherwise. **Bold** indicates $-40^\circ C$ to $+85^\circ C$.

Symbol	Parameter	Condition	Min	Typ	Max	Units
V_{IN}	Switch Input Voltage	$V_{IN} \leq V_{BIAS}$	0.8		5.5	V
V_{BIAS}	Bias Supply Voltage		1.6		5.5	V
I_{BIAS}	V_{BIAS} Supply Current - Switch OFF V_{BIAS} Supply Current - Switch ON Note 5	No load		0.1	5	μA
		No load		300	400	μA
V_{EN}	Enable Input Voltage	$V_{IL(max)}$		2.4	1.5	V
		$V_{IH(min)}$	3.5	2.5		V
V_{ENHYST}	Enable Input Threshold Hysteresis			100		mV
I_{EN}	Enable Input Current	$V_{EN} = 0V$ to 5.5V	-1	.01	1	μA
$R_{DS(ON)}$	Switch Resistance	$V_{IN} = V_{BIAS} = 3V, 5V$ $I_{OUT} = 500mA$		20	30	m Ω
I_{LEAK}	Output Leakage Current	Output off			10	μA
CLF	Current Limit Factor Note 6	$V_{IN} = 3V, 5V, 0.5V \leq V_{OUT} < 0.5V_{IN}$ $1A \leq I_{OUT} \leq 6A$	300	380	460	A $\cdot\Omega$
V_{TH}	PGREF Threshold	$V_{IN} = V_{BIAS} = 1.6V$ to 5.5V	215	230	245	mV
V_{LATCH}	Output Reset Threshold	$V_{IN} = 0.8V$ to 5.5V V_{OUT} rising (MIC2045)		$V_{IN} - 0.2$		V
I_{LATCH}	Latched Output Off Current	Output latched off (MIC2045)	1	3	5	mA
V_{OL}	Output Low Voltage (/FAULT, PWRGD)	$I_{OL} (/FAULT) = 15mA$ $I_{OL} (PWRGD) = 5mA$			0.4	V
I_{OFF}	/FAULT, PWRGD Off Current	$V_{FAULT} = V_{PWRGD} = 5V$			1	μA
V_{UV}	Undervoltage Lockout Threshold	V_{IN} rising	1.30	1.45	1.58	V
		V_{IN} falling	1.20	1.35	1.50	V
V_{UVHYST}	Undervoltage Lockout Threshold Hysteresis			100		mV
V_{UVINTH}	UVLO Adjust Pin Threshold Voltage	V_{IN} rising	200	230	260	mV
		V_{IN} falling	185	215	245	mV
$V_{UVINHYST}$	UVLO Adjust Pin Threshold Hysteresis			15		mV
	Overtemperature Threshold	T_J increasing		140		$^\circ C$
		T_J decreasing		120		$^\circ C$

Symbol	Parameter	Condition	Min	Typ	Max	Units
t_{FLAG}	Flag Response Delay	$V_{IN} = V_{BIAS} = 3V, 5V$	25	32	40	ms
t_{ON}	Output Turn-on Delay	$R_{LOAD} = 10\Omega, C_{LOAD} = 1\mu F$	0.75	1	1.25	ms
t_R	Output Turn-on Rise Time	$R_{LOAD} = 10\Omega, C_{LOAD} = 1\mu F$	1.5	2.5	3.5	ms
t_{OFF}	Output Turn-off Delay	$R_{LOAD} = 10\Omega, C_{LOAD} = 1\mu F$		1	5	μs
t_F	Output Turn-off Fall Time	$R_{LOAD} = 10\Omega, C_{LOAD} = 1\mu F$		24		μs

- Note 1.** Exceeding the absolute maximum rating may damage the device.
- Note 2.** The device is not guaranteed to function outside its operating rating.
- Note 3.** Devices are ESD sensitive. Handling precautions recommended. Human body model: 1.5k Ω in series with 100pF.
- Note 4.** Specification for packaged product only.
- Note 5.** OFF is $V_{EN} < 1.0V$ for MIC2044/MIC2045-1 and $V_{EN} > 4.0V$ for MIC2044/MIC2045 -2. ON is $V_{EN} > 4.0V$ for MIC2044/MIC2045-1 and $V_{EN} < 1.0V$ for MIC2044/MIC2045 -2.
- Note 6.** The current limit is determined as follows: $I_{LIM} = CLF/R_{SET}$.

Timing Diagrams

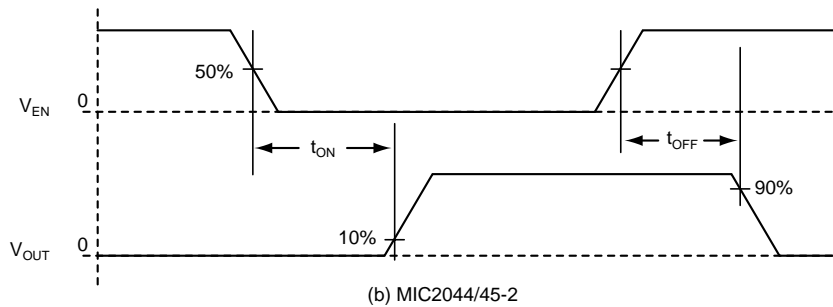
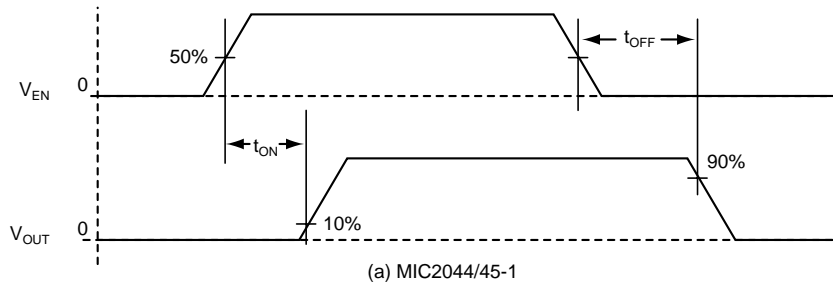


Figure 1. Turn-On/Turn-Off Delay

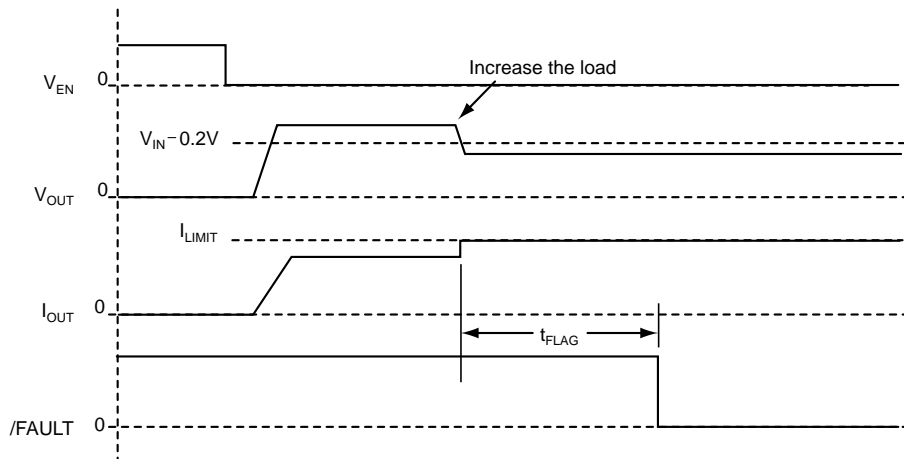
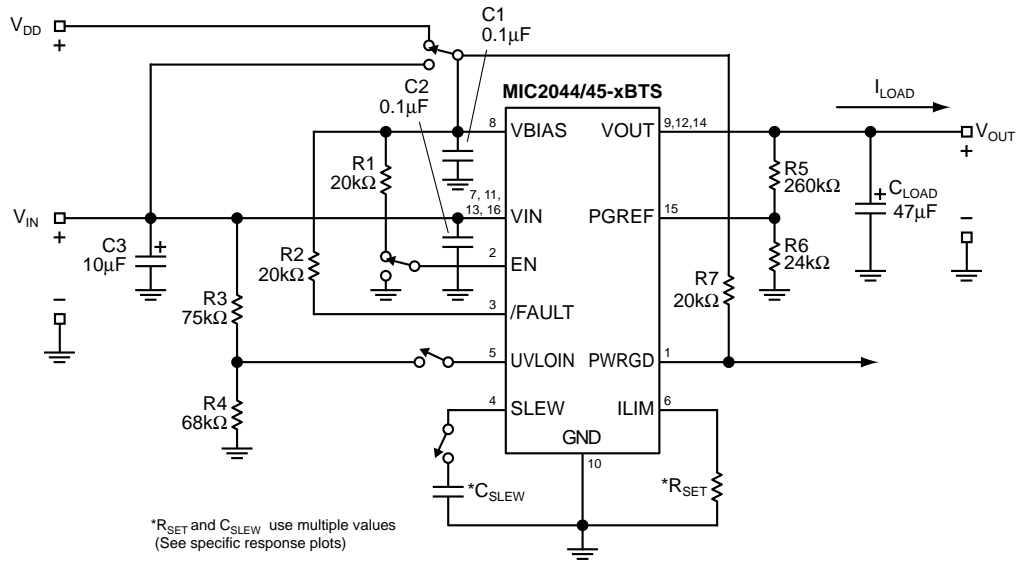
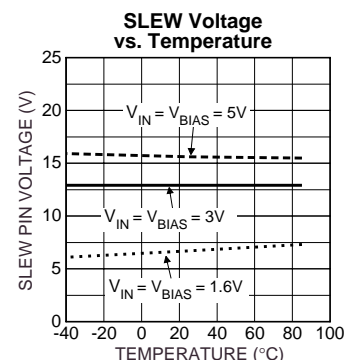
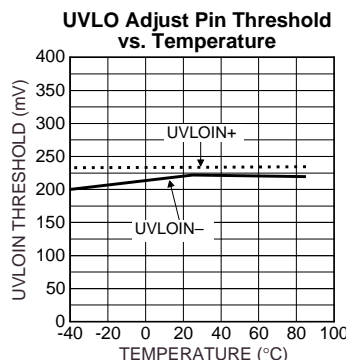
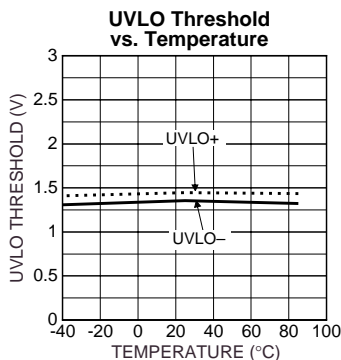
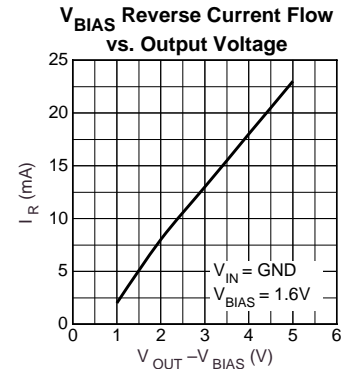
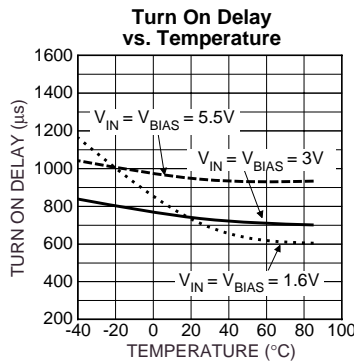
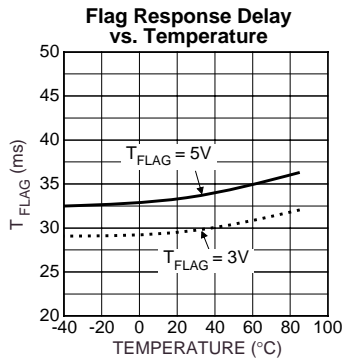
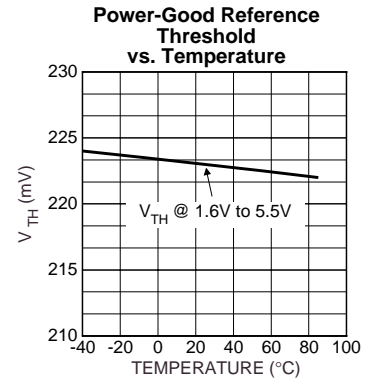
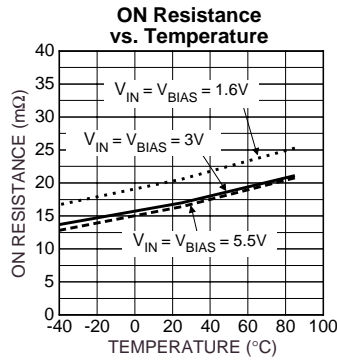
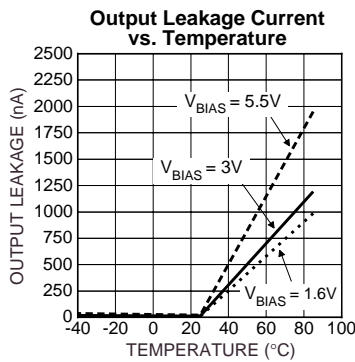
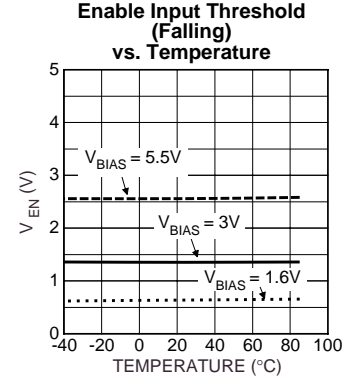
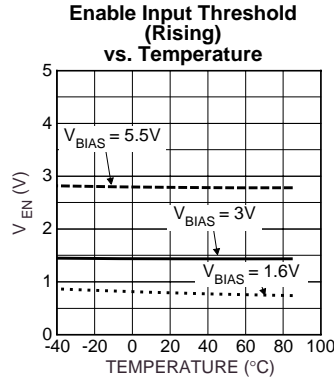
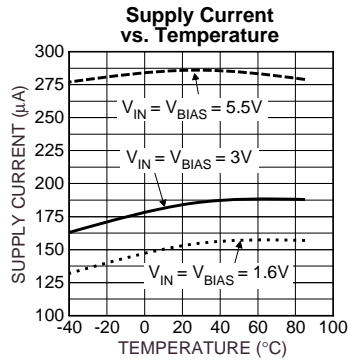


Figure 2. Overcurrent Fault Response — MIC2044-2

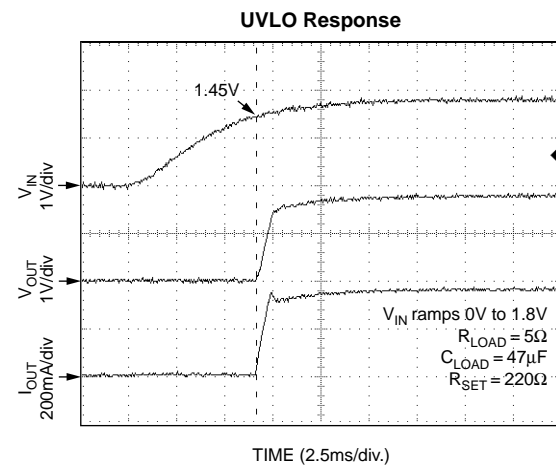
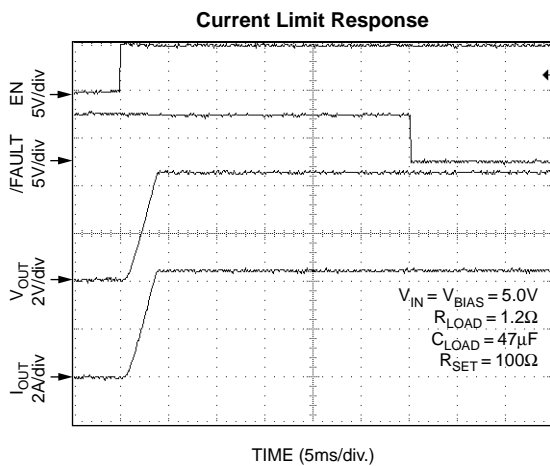
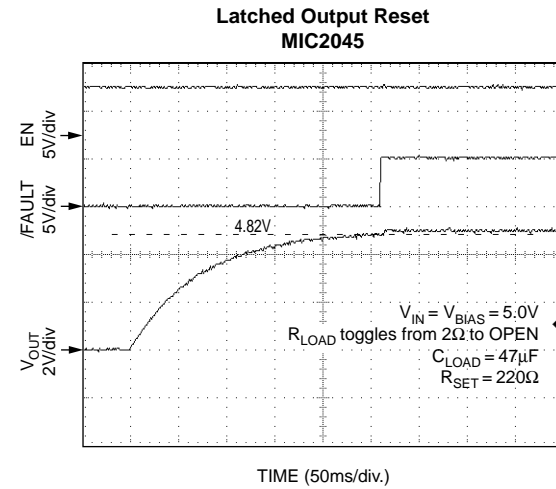
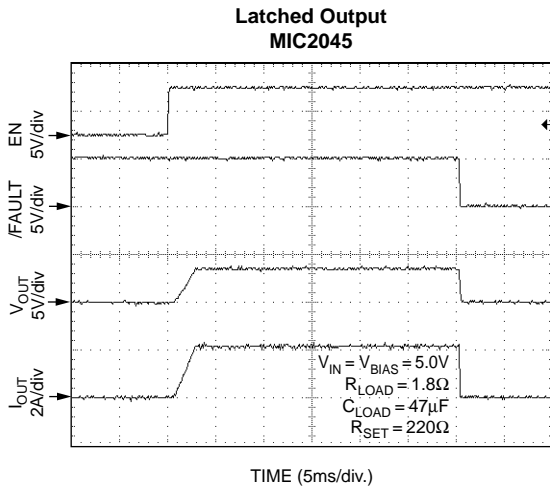
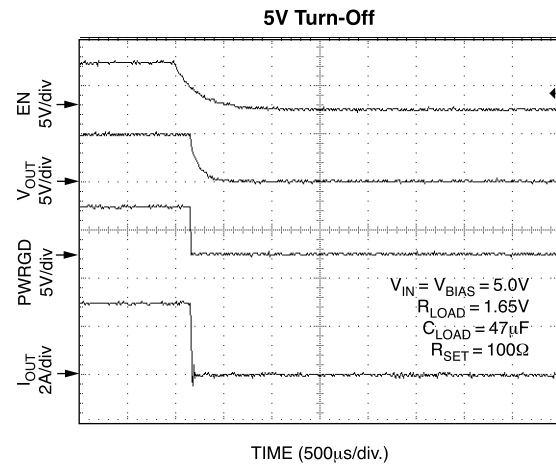
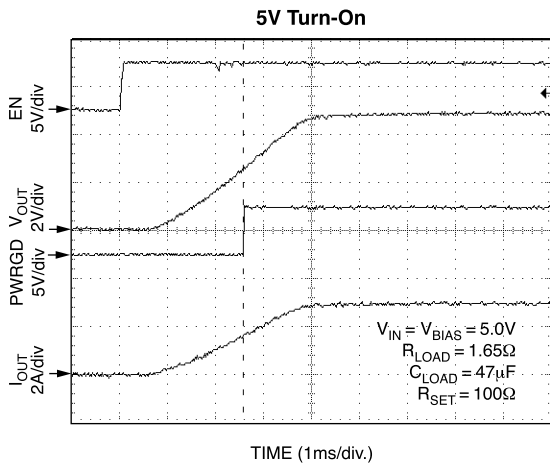
Test Circuit



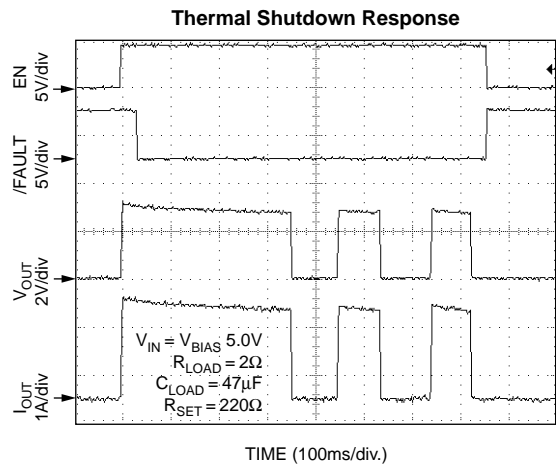
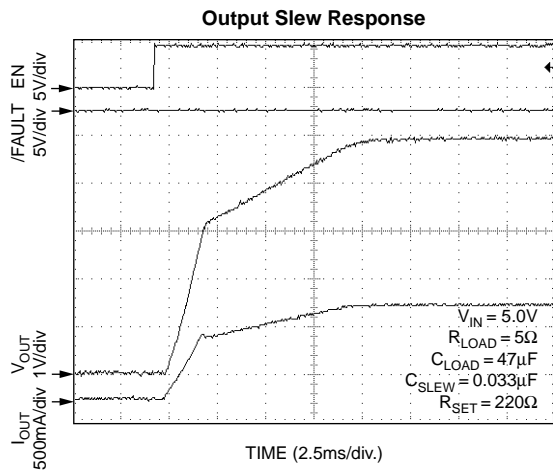
Typical Characteristics



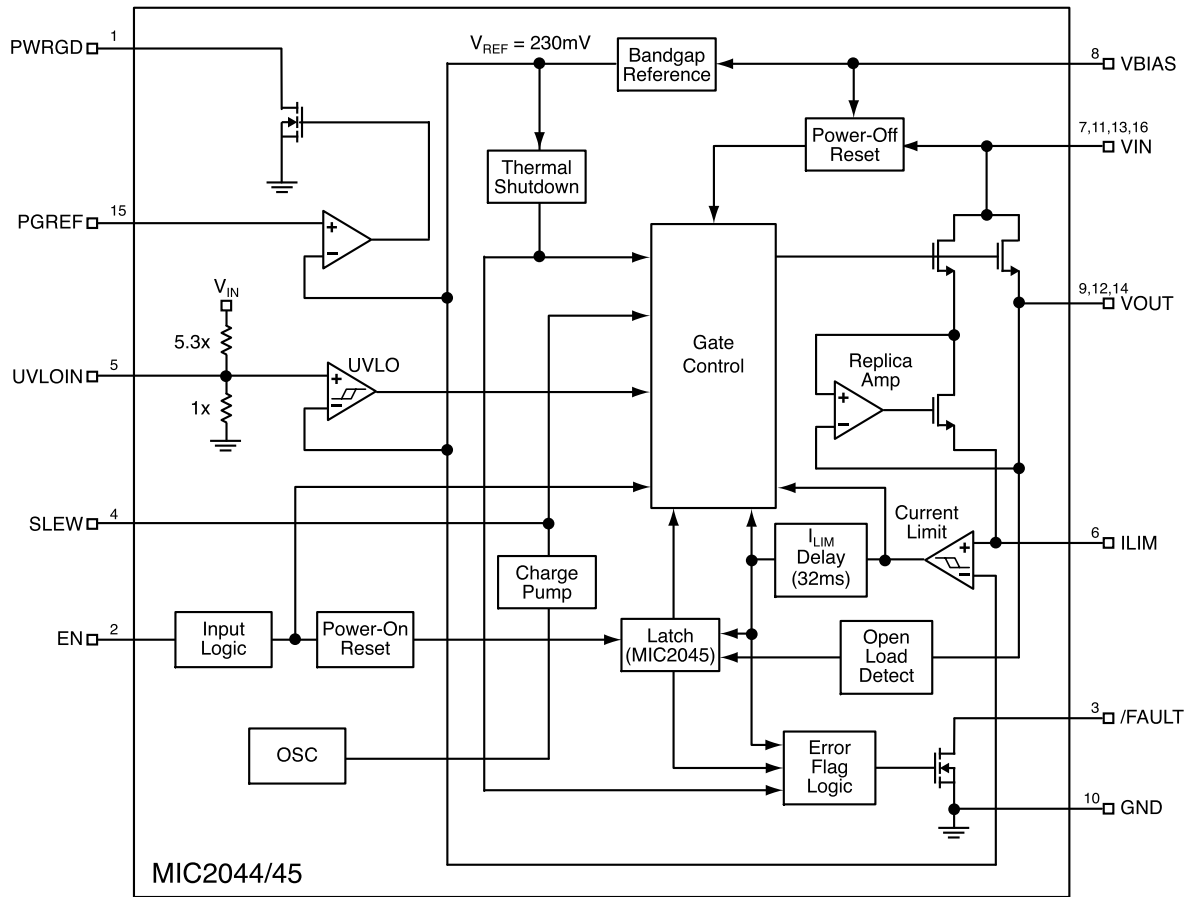
Functional Characteristics



Functional Characteristics (continued)



Functional Diagram



Functional Description

The MIC2044 and MIC2045 are high-side N-Channel switches equipped with programmable current limit up to 6A for use in general purpose power distribution applications. The switches, available with active-high or active-low enable inputs, provide output slew-rate control and circuit protection via thermal shutdown and an optional output latch during overcurrent conditions.

Input and Output

VBIAS supplies power to the internal circuitry of the switch and must be present for the switch to operate. VIN is connected to the drain of the output MOSFET and sources power to the switched load. VIN must be less than or equal to VBIAS. VOUT is the source terminal of the output MOSFET and attaches to the load. In a typical circuit, current flows from VIN to VOUT toward the load. If VOUT is greater than VIN, current will flow from VOUT to VIN since the switch is bi-directional when the device is enabled. When disabled (OFF), the switch will block current flow from either direction.

Enable Input

Enable, the ON/OFF control for the output switch, is a digital input available as an active-high (-1) or active-low (-2) signal. The EN pin, referenced to approximately $0.5 \times V_{BIAS}$, must be driven to a clearly defined logic high or logic low. Failure to observe this requirement, or allowing EN to float, will cause the MIC2044/45 to exhibit unpredictable behavior. EN should not be allowed to go negative with respect to ground, nor allowed to exceed VBIAS. Failure to adhere to these conditions may result in damage to the device.

Undervoltage Lockout

When the switch is enabled, undervoltage lockout (UVLO) monitors the input voltage, VIN, and prevents the output MOSFET from turning on until VIN exceeds a predetermined level, nominally set at 1.45V. The UVLO threshold is adjustable and can be varied by applying an external resistor divider to the UVLOIN pin from VIN to GND. The resistive divider network is required when the input voltage is below 1.5V. The UVLO threshold is internally preset to 1.45V if the UVLOIN pin is left open. See "Applications Information."

Programmable Current Limit

The MIC2044/45 is designed to prevent damage to the external load by limiting the maximum amount of current it can draw. The current limit is programmed by an external resistor (RSET) connected from ILIM (Pin 6) to ground and becomes active when the output voltage is at least 200mV below the voltage at the input to the device. The limiting current value is defined by the current limit factor (CLF) divided by RSET, and the MIC2044/45 will limit from 1A to 6A with a set point accuracy of $\pm 21\%$. In programming the nominal current limit, the value of RSET is determined using the following equation:

$$R_{SET} = \frac{CLF}{I_{LIMIT}} = \frac{(380A \times \Omega)}{I_{LIMIT}} \quad (1)$$

And given the $\pm 21\%$ tolerance of the current limit factor (CLF), the external resistor is bound by:

$$50\Omega \leq R_{SET} \leq 460\Omega \quad (2)$$

The graphs below (Figure 3) display the current limit factor characteristic over the full temperature range at the indicated voltage. These curves can be used as a point of reference in determining the maximum variation in the device's current limit over the full temperature range. For example: With $V_{IN} = V_{BIAS} = 3.0V$ and a nominal 4A current limit ($R_{SET} = 95\Omega$), the low and high current limit settings for the MIC2044/45 would be 3.15A and 4.85A, respectively, as shown on the 3V graph using the 95Ω reference point.

When current limiting occurs, the MIC2044 and MIC2045 respond differently. Upon first reaching the limiting current both devices restrict current flow, allowing the load voltage to drop below VIN. If the VIN to VOUT differential voltage exceeds 200mV, then a fault condition is declared and the fault delay timer is started. If the fault condition persists longer than the delay period, typically 32ms, then the /FAULT output asserts low. At this point, the MIC2044 will continue to supply current to the load at the limiting value (ILIMIT), whereas the MIC2045 will latch off its output.

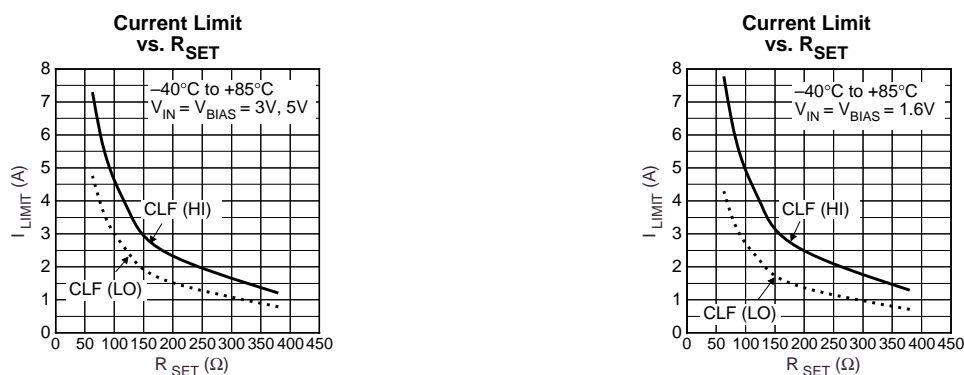


Figure 3. Current Limit Factor

/FAULT

The /FAULT signal is an N-Channel, open-drain MOSFET output. An external pull-up resistor tied to a maximum 6V rail is required for the /FAULT pin. The /FAULT pin is asserted (active-low) when either an overcurrent or thermal shutdown condition occurs. During a hot insert of a PCB or when turning on into a highly capacitive load, the resulting high transient inrush current may exceed the current limit threshold of the MIC2044/45. In the case where an overcurrent condition occurs, /FAULT will assert only after the flag delay time has elapsed, typically 32ms. This ensures that /FAULT is asserted only upon valid overcurrent conditions and that nuisance error reporting is prevented.

Thermal Shutdown

For the MIC2044, thermal shutdown is employed to protect the device from damage should the die temperature exceed safe margins due to a short circuit or an excessive load. Thermal shutdown shuts off the output MOSFET and asserts the /FAULT output if the die temperature exceeds 140°C. The MIC2044 automatically resets its output and resumes supplying current to the load when the die temperature drops to 120°C. If the fault is still present, the MIC2044 will quickly re-heat and shut down again. This process of turning ON-OFF-ON is called thermal cycling and will continue as long as the power switch is enabled while the fault or excessive load is present.

Depending on PCB layout (including thermal considerations such as heat sinking), package, and ambient temperature, it may take several hundred milliseconds from the incidence of the fault to the output MOSFET being shut off.

Circuit Breaker Function (MIC2045)

The MIC2045 is designed to shut off all power to the load when a fault condition occurs, just as a circuit breaker would do. In this case, a fault condition is deemed to be anytime the output current exceeds the current limit for more than the flag delay period, nominally 32ms. Once the output shuts off, it remains off until either the fault load is removed from VOUT or the EN input is cycled ON-OFF-ON. If the fault is still present after EN has been cycled, the MIC2045 will again shut off all power to the load after 32ms. Once the fault has been removed, then normal operation will resume.

Open Load Detection

The MIC2045 will automatically reset its output when the fault load is cleared. This is accomplished by applying a small current to VOUT and watching for the voltage at VOUT to rise to within 200mV of VIN. This current is supplied by an internal resistor connected to VIN and is connected to VOUT when MIC2045 latches off.

Power-Good Detection

The MIC2044/45 can detect when the output voltage is above or below a preset threshold that is monitored by a comparator at the PGREF input. The PWRGD signal is an N-Channel open-drain MOSFET output and an external pull-up resistor up to a 6V maximum rail is required for the PWRGD pin. Whenever the voltage at the PGREF pin exceeds its threshold (V_{TH}), typically 230mV, the PWRGD output is asserted. Using the typical applications circuit from page 1 that switches 3.3V as an example, the output voltage threshold determining "power is good" is calculated by the following equation:

$$V_{OUT(GOOD)} = V_{TH} \times \left(1 + \frac{R2}{R3}\right) \quad (3)$$

In substituting the resistor values of the circuit and the typical PGREF threshold, the resulting $V_{OUT(GOOD)}$ is calculated as 3.0V for this 3.3V switching application.

SLEW

The MIC2044/45's output rise time is controlled at turn-on to a minimum of 1.5ms and is controlled by an internal slew-rate limiting circuit. A slew-rate adjustment control pin is available for applications requiring slower rise times. By placing a capacitor between SLEW and ground, longer rise times can be achieved. For further detail, see the "Applications Information" section.

Applications Information

Input and Output

Supply Bypass Filtering

The need for input supply bypass is brought about due to several factors, most notably the input/output inductance along the power path, operating current and current limit, and output capacitance. A 0.1 μ F to 0.47 μ F bypass capacitor positioned very close to the VIN pin to GND of the device is strongly recommended to filter high frequency oscillations due to inductance. Also, a sufficient bypass capacitor positioned close to the input source to the switch is strongly advised in order to suppress supply transient spikes and to limit input voltage droop. Inrush current increases with larger output capacitance, thus the minimum value of this capacitor will require experimental determination for the intended application and design. A good starting point is a capacitor between 4.7 μ F to 15 μ F. Without these bypass capacitors, an extreme overload condition such as a short circuit, or a large capacitive load, may cause either the input supply to exceed the maximum rating of 6V and possibly cause damage to the internal control circuitry or allow the input supply to droop and fall out of regulation and/or below the minimum operating voltage of the device.

Output Capacitance

When the MIC2044 die exceeds the overtemperature threshold of approximately 140°C, the device can enter into a thermal shutdown mode if the die temperature falls below 120°C and then rises above 140°C in a continuous cycle. With VOUT cycling on and off, the MIC2044 will reset the /FAULT while in an overtemperature fault condition if V_{OUT} is allowed to swing below ground. The inductance present at the output must be neutralized by capacitance in order to ensure that the output does not fall below ground. In order to counter the board parasitic inductance and the inductance of relatively short-length power cable (\leq 1ft., 16-20 gauge wire), a minimum output capacitance of 22 μ F is strongly recommended and should be placed close to the VOUT pin of the MIC2044. For applications that use more than a foot of cable, an additional 10 μ F/ft. is recommended.

Reverse Current Blocking

The MIC2044/45 provides reverse current flow blocking through the output MOSFET if the voltage at VOUT is greater than VIN when the device is disabled. The V_{BIAS} supply has a limited reverse current flow if the voltage at VOUT is pulled above VBIAS when the device is disabled. A graph of the V_{BIAS} reverse current flow is shown in the “*Functional Characteristics*” section. The reverse current for VBIAS can be completely blocked by inserting a Schottky diode from the VBIAS pin (cathode) to the supply (anode). However, the minimum voltage of 1.6V must be supplied to VBIAS after accounting for the voltage drop across the diode.

Output Slew-Rate Adjustment

The output slew-rate for the MIC2044/45 can be slowed down by the use of a capacitor (16V rating, minimum; 25V suggested) between SLEW and GND. The slew-rate control circuitry is independent of the load capacitance and exhibits

a non-linear response. See the “*Functional Characteristics*” section. Table 1 shows the rise time for various standard capacitor values. Additionally, the output turn-on time must be less than the nominal flag delay of 32ms in order to avoid nuisance tripping of the /FAULT output. This limit is imposed by the current limiting circuitry which monitors the (VIN – VOUT) differential voltage and concludes a fault condition is present if the differential voltage exceeds 200mV for more than the flag delay period. For the MIC2045, the /FAULT will assert and the output will latch off if the output is not within 200mV of the input before the flag delay times out. When using the active-low (–2) option with the EN input tied to ground, slew control is functional during initial start-up but does not function upon resetting the input power to the device. In order for the SLEW control to operate during consecutive system restarts, the EN pin must reset (toggle OFF to ON).

UVLO Threshold Setting With Low Input Voltages

When the switching voltage is below 1.6V, the device’s standard UVLO threshold (1.45V nominal) will hinder the output MOSFET in switching VIN to VOUT. In this case, the use of the UVLOIN pin is required to override the standard UVLO threshold and set a new, lower threshold for the lower input voltage. An external resistive divider network connected at the UVLOIN pin is used to set the new threshold. Due to the ratio of the internal components, the total series resistance of the external resistive divider should not exceed 200k Ω . The circuit shown in Figure 4 illustrates an application that switches 0.8V while the device is powered from a separate 2.5V power supply. The UVLO threshold is set by the following equation.

$$V_{UVTH} = 0.23V \times \left(1 + \frac{R2}{R3} \right) \quad (4)$$

In substituting the resistor values from Figure 4, the resulting UVLO threshold (V_{UVTH}) is calculated as 0.6V for this 0.8V switching application. When using the UVLOIN pin to set a new UVLO threshold, an optional 0.1 μ F to 1.0 μ F capacitor from UVLOIN to GND may be used as a glitch filter in order to avoid nuisance tripping of the UVLO threshold. If the UVLOIN pin is not in use, this pin should be left open (floating). The use of a pull-down resistor to ground will offset the ratio of the internal resistive divider to this pin resulting in a shift in the UVLO threshold. To bypass (disable) UVLO, connect the UVLOIN pin directly to the VIN pin of the MIC2044/45.

$$\text{Conditions: } V_{IN} = V_{BIAS} = 5V/3V \\ C_{LOAD} = 47\mu F; I_{LOAD} = 1A$$

C _{SLEW} (μ F)	Rise Time (ms)	
	5V	3V
0.02	4.4	6.6
0.033	7.5	11.25
0.047	11	16
0.1	24	31.5

Table 1. Typical Output Rise Time for Various C_{SLEW} (V_{IN} = 5V, 3V)

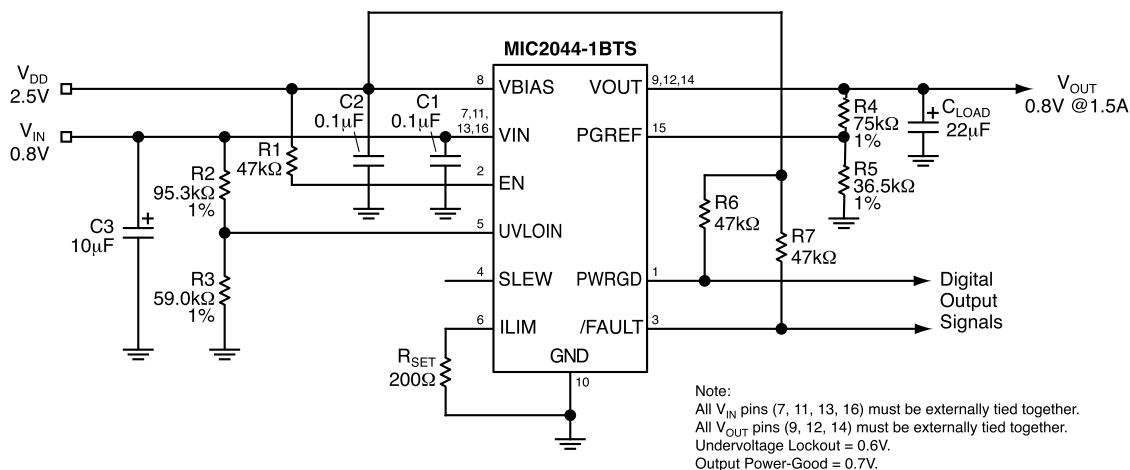


Figure 4. Lower UVLO Setting

Power Dissipation

Power dissipation depends on several factors such as the load, PCB layout, ambient temperature, and package type. The following equations can be used to calculate power dissipation and die temperature.

Calculation of power dissipation can be accomplished by the following equation:

$$P_D = R_{DS(on)} \times (I_{OUT})^2 \quad (5)$$

To relate this to junction temperature, the following equation can be used:

$$T_J = P_D \times R_{\theta(J-A)} + T_A \quad (6)$$

where T_J = junction temperature, T_A = ambient temperature and $R_{\theta(J-A)}$ is the thermal resistance of the package.

Printed Circuit Board Hot Plug

The MIC2044/45 are ideal inrush current limiting power switches suitable for hot plug applications. Due to the integrated charge pump, the MIC2044/45 present a high impedance when in the off state and the device slowly becomes a low impedance as it turns on. This effectively isolates power supplies from highly capacitive loads by reducing inrush current during hot plug events. This same feature also can be used for soft-start requirements.

PCB Layout Recommendations

The MIC2044 and MIC2045 have very low on-resistance, typically 20mΩ, and the switches can provide up to 6A of continuous output current. Under heavy loads, the switched current may cause the devices to heat up considerably. The following list contains some useful suggestions for PCB layout design of the MIC2044/45 in order to prevent the die from overheating under normal operating conditions.

1. Supply additional copper area under the device to remove heat away from the IC.
See "Application Hint 17" for a general guideline in calculating the suggested area.
2. Provide additional pad area on the corner pins of the MIC2044/45 IC for heat distribution.
3. Tie the common power pins (V_{IN} = pins 7, 11, 13, 16 and V_{OUT} = pins 9, 12, 14) together in a manner such that the traces entering and leaving the device have a uniform width sufficient for the application's current requirements plus added margin (25% minimum recommended).

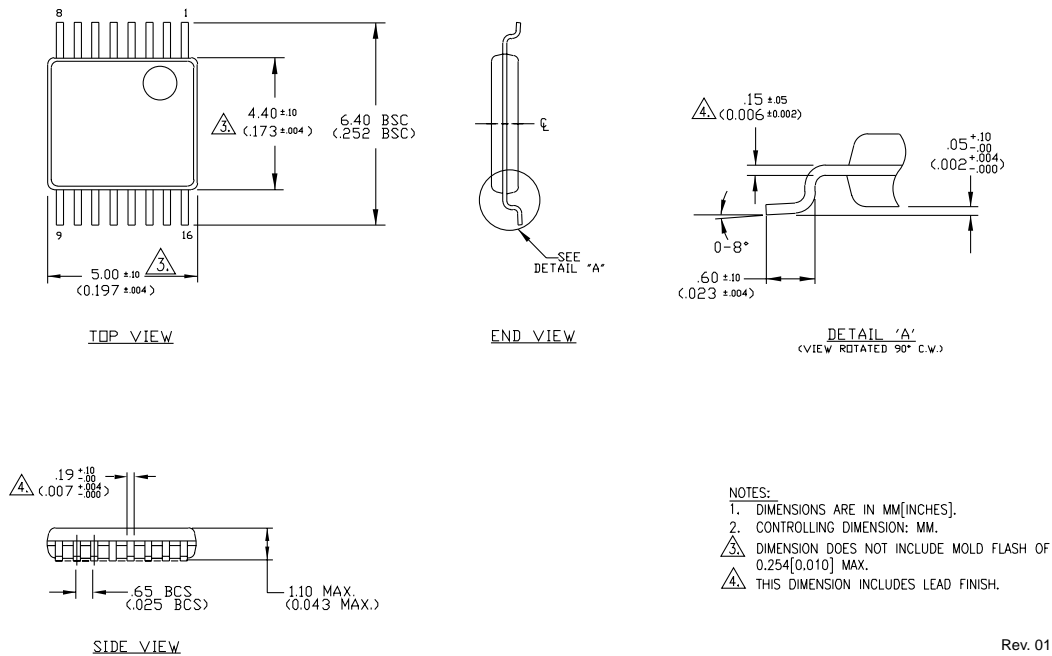
Ex: For 4A maximum current, design traces for 5A capability.

4. For PCB trace width calculation, there are numerous calculator programs available on the internet and elsewhere. As a general rule of thumb, 15-20 mils width for every 1A of current when using 1oz. copper. However, the trace width calculators often take into account maximum temperature increase constraints, as well as layer arrangement, in determining the PCB trace widths. As a reference, the following link is suggested for trial tests in PCB trace width calculations.¹

<http://www.aracnet.com/cgi-usr/gpatrick/trace.pl>

1. Micrel Semiconductor does not assume responsibility for the use of this program tool in the event that any PCB assembled, tested, produced, and/or manufactured becomes damaged and/or causes any degradation of system performance or damage to any system components in which the aforementioned PCB is included.

Package Information



Rev. 01

16-Pin TSSOP (TS)

MICREL, INC. 1849 FORTUNE DRIVE SAN JOSE, CA 95131 USA

TEL + 1 (408) 944-0800 FAX + 1 (408) 944-0970 WEB <http://www.micrel.com>

The information furnished by Micrel in this datasheet is believed to be accurate and reliable. However, no responsibility is assumed by Micrel for its use. Micrel reserves the right to change circuitry and specifications at any time without notification to the customer.

Micrel Products are not designed or authorized for use as components in life support appliances, devices or systems where malfunction of a product can reasonably be expected to result in personal injury. Life support devices or systems are devices or systems that (a) are intended for surgical implant into the body or (b) support or sustain life, and whose failure to perform can be reasonably expected to result in a significant injury to the user. A Purchaser's use or sale of Micrel Products for use in life support appliances, devices or systems is at Purchaser's own risk and Purchaser agrees to fully indemnify Micrel for any damages resulting from such use or sale.

© 2003 Micrel, Incorporated.