

**TOSHIBA**

TOSHIBA Original CMOS 16-Bit Microcontroller

**TLCS-900/L Series**

TMP93CF76

TMP93CF77

TMP93CW76

TMP93CU76

TMP93CT76

**TOSHIBA CORPORATION**

## Preface

Thank you very much for making use of Toshiba microcomputer LSIs.  
Before use this LSI, refer the section, "Points of Note and Restrictions".  
Especially, take care below cautions.

**\*\*CAUTION\*\***

**How to release the HALT mode**

Usually, interrupts can release all halts status. However, the interrupts = (INT0, INT1), which can release the HALT mode may not be able to do so if they are input during the period CPU is shifting to the HALT mode (for about 3 clocks of  $f_c$  or  $f_s$ ) with IDLE1 or STOP mode (IDLE2 is not applicable to this case). (In this case, an interrupt request is kept on hold internally.)

If another interrupt is generated after it has shifted to HALT mode completely, halt status can be released without difficulty. The priority of this interrupt is compare with that of the interrupt kept on hold internally, and the interrupt with higher priority is handled first followed by the other interrupt.

## CMOS 16-Bit Microcontroller

### TMP93CF76/CF77/CW76/CU76/CT76

#### 1. Outline and Feature

TMP93CF76/CF77/CW76/CU76/CT76 are a high-speed advanced 16-bit microcontroller developed for application with VCR system control, software servo motor control, VFT driver and timer control.

In addition to basics such as I/O ports, the TMP93CF76/CF77/CW76/CU76/CT76 have high-speed/high-precision signal measuring circuit, PWM (Pulse-Width-Modulator) and high-precision real timing pulse generator.

The device characteristics are as follows:

- (1) Original 16-bit CPU (900/L CPU)
  - TLCS-90 instruction mnemonic upward compatible
  - 16 Mbyte linear address space
  - General-purpose registers and register bank system
  - 16-bit multiplication/division and bit transfer/arithmetic instructions
  - High-speed micro DMA: 4 channels (2  $\mu$ s/2 byte at 16 MHz)
- (2) Minimum instruction execution time: 250 ns at 16 MHz
- (3) Internal ROM:

TMP93CF76	192 KB
TMP93CF77	160 KB
TMP93CW76	128 KB
TMP93CU76	96 KB
TMP93CT76	72 KB

- (4) Internal RAM:

TMP93CF76	4.0 KB
TMP93CF77	4.0 KB
TMP93CW76	2.5 KB
TMP93CU76	2.5 KB
TMP93CT76	2.0 KB

000707EBP1

- For a discussion of how the reliability of microcontrollers can be predicted, please refer to Section 1.3 of the chapter entitled Quality and Reliability Assurance / Handling Precautions.
- TOSHIBA is continually working to improve the quality and reliability of its products. Nevertheless, semiconductor devices in general can malfunction or fail due to their inherent electrical sensitivity and vulnerability to physical stress. It is the responsibility of the buyer, when utilizing TOSHIBA products, to comply with the standards of safety in making a safe design for the entire system, and to avoid situations in which a malfunction or failure of such TOSHIBA products could cause loss of human life, bodily injury or damage to property.  
In developing your designs, please ensure that TOSHIBA products are used within specified operating ranges as set forth in the most recent TOSHIBA products specifications. Also, please keep in mind the precautions and conditions set forth in the "Handling Guide for Semiconductor Devices," or "TOSHIBA Semiconductor Reliability Handbook" etc..
- The TOSHIBA products listed in this document are intended for usage in general electronics applications (computer, personal equipment, office equipment, measuring equipment, industrial robotics, domestic appliances, etc.). These TOSHIBA products are neither intended nor warranted for usage in equipment that requires extraordinarily high quality and/or reliability or a malfunction or failure of which may cause loss of human life or bodily injury ("Unintended Usage"). Unintended Usage include atomic energy control instruments, airplane or spaceship instruments, transportation instruments, traffic signal instruments, combustion control instruments, medical instruments, all types of safety devices, etc.. Unintended Usage of TOSHIBA products listed in this document shall be made at the customer's own risk.
- The products described in this document are subject to the foreign exchange and foreign trade laws.
- The information contained herein is presented only as a guide for the applications of our products. No responsibility is assumed by TOSHIBA CORPORATION for any infringements of intellectual property or other rights of the third parties which may result from its use. No license is granted by implication or otherwise under any intellectual property or other rights of TOSHIBA CORPORATION or others.
- The information contained herein is subject to change without notice.



Purchase of TOSHIBA I<sup>2</sup>C components conveys a license under the Philips I<sup>2</sup>C Patent Rights to use these components in an I<sup>2</sup>C system, provided that the system conforms to the I<sup>2</sup>C Standard Specification as defined by Philips.

- (5) 20-bit time-base-counter (TBC)
  - Free running counter
  - Accuracy: 125 ns (at  $f_c = 16$  MHz)
  - Overflow: 131 ms (at  $f_c = 16$  MHz)
- (6) 8-bit timer (TC0): 1 channel
  - For CTL linear time counter
- (7) 16-bit timer (TC1 to 5): 5 channels
  - C.sync count, capstan FG count, general: 3 channels
- (8) Timing pulse generator (TPG): 2 channels
  - (16-bit timing data + 6-bit output data) with 8-stages FIFO : 1 channel
  - (16-bit timing data + 4-bit output data) : 1 channel
  - Accuracy: 500 ns (at 16 MHz)
- (9) Pulse width modulation outputs (PWM)
  - 14-bit PWM: 3 channels (for controlling capstan, drum and tuner)
  - 8-bit PWM: 1 channel (for controlling volume )
  - Carrier frequency: 31.25 kHz (at 16 MHz)
- (10) 24-bit time base counter capture circuit (Capture 0)
  - (18-bit timing data + 6 bit trigger data) with 8-stages FIFO: 1 channel
  - Capture input sources: Remote-control-input (RMTIN), V.sync, CTL, Drum-PG, general (1 channel)
  - Accuracy: 500 ns (at 16 MHz)
- (11) 17-bit time base counter capture circuit (Capture 1/2)
  - (16-bit timing data + 1-bit trigger data): 2 channels
  - Capture input sources: Drum-FG, Capstan-FG
  - Accuracy: 125 ns (at 16 MHz)
- (12) VISS/VASS detection circuit (VISS/VASS)
  - CTL duty detection
  - VASS data 16-bit latch
- (13) Composite-sync-signal (C.sync) input
  - Vertical-sync-signal (V.sync) separation
  - Horizontal-sync-signal (H.sync) separation
- (14) Head Amp switch/Color Rotary control (HA/CR)
- (15) Pseudo-V/H generator (PV/PH)
- (16) 8-bit AD converter (ADC): 10 channels
  - Conversion speed: 95 states (11.8  $\mu$ s at 16 MHz)
- (17) Serial Channel (SIO): 1channel
- (18) Serial bus I/F
  - I<sup>2</sup>C bus with 8-stages FIFO: 1 channel/2 ports
- (19) Watch dog timer (WDT)

## (20) Interrupt controller (INTC)

- CPU: 8 sources → SWI instruction and illegal instruction
  - Internal: 17 sources
  - External: 5 sources
- 7-level priority can be set.

## (21) I/O ports

- 67 I/O ports (multiplexed functional pins.)  
High Break Down Voltage PortE, F are Included: 14 I/O ports
- 8 input ports (P40/AIN2 to P47/AIN9)
- 10 output ports  
PC0/G0 to PC7/G7, PD0/G8 to PD1/G9: High Break Down Voltage

## (22) Standby function: 4 halt modes (RUN, IDLE2, IDLE1, STOP)

## (23) System clock function

- Dual clock operation 16 MHz (High-speed: normal)/32 kHz (Low-speed:slow)  
... 17-bit Real Time Counter built in

## (24) Operating Voltage

- Vcc = 2.7 to 5.5 V (at 32 kHz)
- Vcc = 4.5 to 5.5 V (at 16 MHz)

## (25) Package

- 100 pin QFP 14 mm × 20 mm (Pin pitch: 0.65 mm)
- Product name: P-QFP100-1420-0.65A



## 2. Pin Assignment and Functions

The assignment of input and output pins for the TMP93CF76/CF77/CW76/CU76/CT76, their names and functions are described below.

### 2.1 Pin Assignment

Figure 2.1.1 shows pin assignment of the TMP93CF76/CF77/CW76/CU76/CT76.

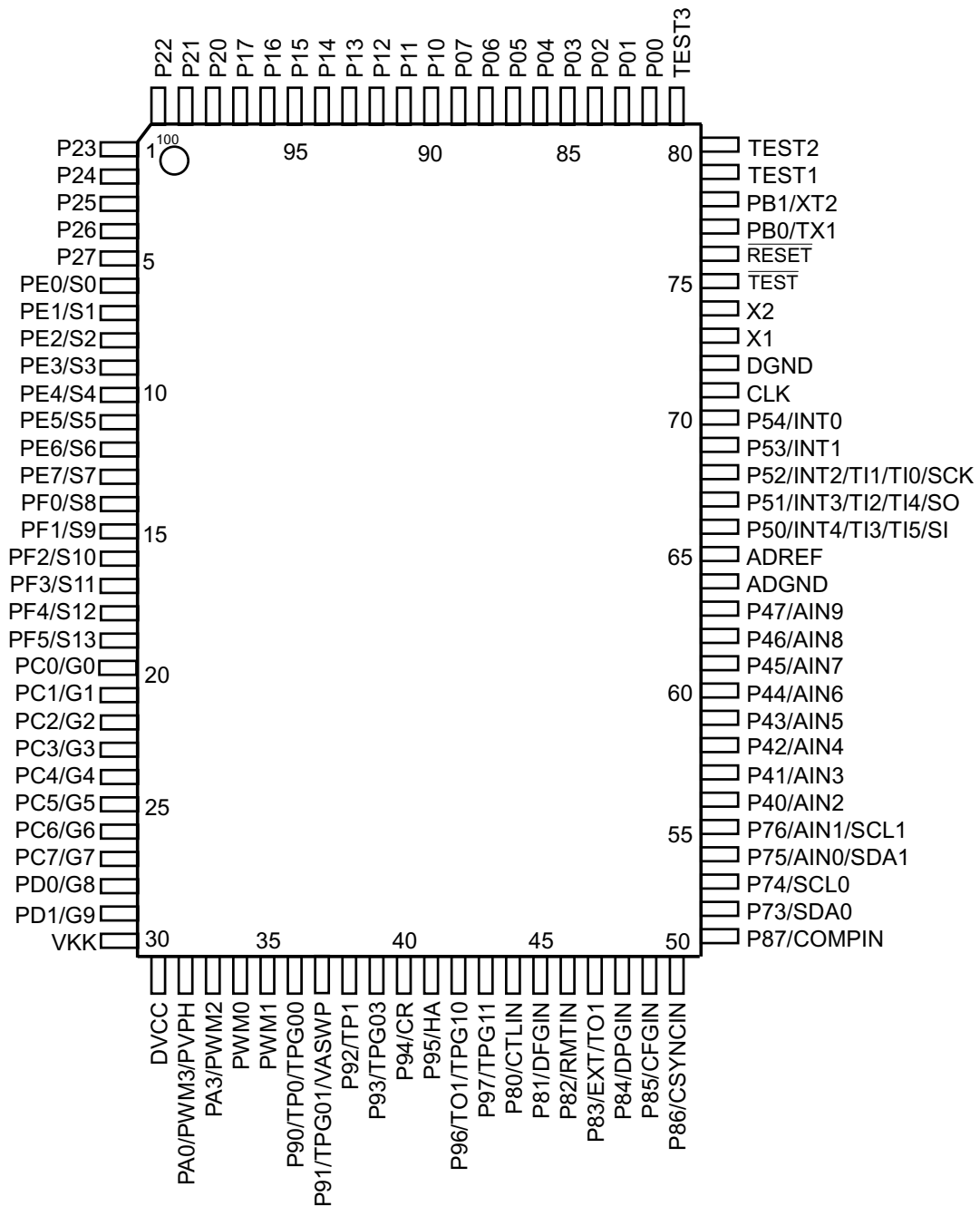


Figure 2.1.1 Pin assignment (100-pin QFP)

## 2.2 Pin Names and Functions

The names of input/output pins and their functions are described below.

Table 2.2.1 Pin names and function (1/3)

Pin name	Number of pins	I/O	Functions
P00 to P07	8	I/O	port0: I/O ports
P10 to P17	8	I/O	port1: I/O ports
P20 to P27	8	I/O	port2: I/O ports
P40 to P47 AIN2 to AIN9	8	Input Input	port4: Input ports Analog input: Input to AD converter
P50 INT4 TI3 TI5 SI	1	I/O Input Input Input Input	Port50: I/O port (schmitt input) External Interrupt request input 4: Rising edge/Falling edge programmable 16-bit timer3 (TC3) Input 3 16-bit timer5 (TC5) input 5 SIO received data
P51 INT3 TI2 TI4 SO	1	I/O Input Input Input Output	Port51: I/O port (schmitt input) External Interrupt request input 3: Rising edge/Falling edge programmable 16-bit timer2 (TC2): Input 2 16-bit timer4 (TC4): input 4 SIO sending data
P52 INT2 TI1 TI0 SCK	1	I/O Input Input Input I/O	Port52: I/O port (schmitt input) External Interrupt request input 2: Rising edge/Falling edge programmable 16-bit timer1 (TC1) Input 1 8-bit Timer0 (TC0) Input 0 SIO clock line
P53 INT1	1	I/O Input	Port53: I/O port (schmitt input) External Interrupt request pin1: Rising edge/Level programmable
P54 INT0	1	I/O Input	Port54: I/O port (schmitt input) External Interrupt request pin0: Rising edge/Falling edge programmable
P73 SDA0	1	I/O I/O	Port73: I/O port (schmitt input, Push-pull or open-drain output selectable) I <sup>2</sup> C bus SDA0 line
P74 SCL0	1	I/O I/O	Port74: I/O port (schmitt input, Push-pull or open-drain output selectable) I <sup>2</sup> C bus SCL0 line
P75 SDA1 AIN0	1	I/O I/O Input	Port75: I/O port (schmitt input, Push-pull or open-drain output selectable) I <sup>2</sup> C bus SDA1 line Analog input 0: Analog input signal for AD converter
P76 SCL1 AIN1	1	I/O I/O Input	Port76: Input port (schmitt input, Push-pull or open-drain output selectable) I <sup>2</sup> C bus SCL1 line Analog input 1: Analog input signal for AD converter
P80 CTLIN	1	I/O Input	Port80: I/O port (schmitt input) CTL Capture input (Capture 0)
P81 DFGIN	1	I/O Input	Port81: I/O port (schmitt input) DFG Capture input (Capture 1)



Table 2.2.1 Pin names and function (2/3)

Pin name	Number of pins	I/O	Functions
P82 RMTIN	1	I/O Input	Port82: I/O port (schmitt input) Remote Control Signal Capture input
P83 EXT TO1	1	I/O Input Output	Port83: I/O port (schmitt input) External Capture input (Capture 0) Timer Out 1
P84 DPGIN	1	I/O Input	Port84: I/O port (schmitt input) DPG Capture input (Capture 0)
P85 CFGIN	1	I/O Input	Port85: I/O port (schmitt input) CFG Capture input (Capture 2)
P86 CSYNCIN	1	I/O Input	Port86: I/O port (schmitt input) C.sync Capture input
P87 COMPIN	1	I/O Input	Port87: I/O port (schmitt input) Envelope Compare Input (to HA/CR)
P90 TP0 TPG00	1	I/O Output Output	Port90: I/O port (Push-pull or open-drain output selectable) Timing Pulse output 0 TPG00: TPG0 output
P91 VASWP TPG01	1	I/O Output Output	Port91: I/O port (Push-pull or open-drain output selectable) Video/Audio head switching control signal output TPG01: TPG0 output
P92 TP1	1	I/O Output	Port92: I/O port (Push-pull or open-drain output selectable) Timing Pulse output 1
P93 TPG03	1	I/O Output	Port93: I/O port (Push-pull or open-drain output selectable) TPG03: TPG0 output
P94 CR	1	I/O Output	Port94: I/O port (Push-pull or open-drain output selectable) Color Rotary Output
P95 HA	1	I/O Output	Port95: I/O port (Push-pull or open-drain output selectable) Head Amp Switching Control Output
P96 TO1 TPG10	1	I/O Output Output	Port96: I/O port (Push-pull or open-drain output selectable) Timer Out 1 TPG10: TPG1 output
P97 TPG11	1	I/O Output	Port97: I/O port (Push-pull or open-drain output selectable) TPG11: TPG1 output
PA0 VVPH PWM3	1	I/O Output Output	PortA0: I/O port VVPH 3-state Output PWM(8 bits) output 3
PA3 PWM2	1	I/O Output	PortA3: I/O port (Push-pull or open-drain output selectable) PWM(14 bits) output 2

Table 2.2.1 Pin names and function (3/3)

Pin name	Number of pins	I/O	Functions
PWM0	1	Output	PWM(14 bits) output 0 (Push-pull or open-drain output selectable)
PWM1	1	Output	PWM(14 bits) output 1 (Push-pull or open-drain output selectable)
PB0	1	I/O	PortB0: I/O port (Open-drain Output)
XT1		Input	Low Frequency Oscillator connecting pin
PB1	1	I/O	PortB1: I/O port (Open-drain Output)
XT2		Output	Low Frequency Oscillator connecting pin
PC0 to PC7 G0 to G7	8	Output	PortC: Output (High break down voltage outputs with pull-down resistor)
		Output	Grid Drivers
PD0,1 G8, 9	2	Output	PortD: Output (High break down voltage outputs with pull-down resistor)
		Output	Grid Drivers
PE0 to PE7 S0 to S7	8	I/O	PortE: I/O ports (High break down voltage outputs with pull-down resistor)
		Output	Segment Drivers
PF0 to PF5 S8 to S13	6	I/O	PortF: I/O ports (High break down voltage outputs with pull-down resistor)
		Output	Segment Drivers
TEST1	1	Output	TEST1 should be connected with TEST2 pin.
TEST2	1	Input	
TEST3(NC)	1	Output	TEST3 should be open connection.
CLK	1	Output	Clock output: Output (System Clock ÷ 2) clock. Pulled-up during reset. Can be set to output disable for reducing noise. (Initial Disable)
$\overline{\text{TEST}}$	1	Input	Test pin: Always set to "Vcc" level
$\overline{\text{RESET}}$	1	Input	Reset: Initializes LSI. (with pull-up resistor)
X1	1	Input	High Frequency Oscillator connecting pins (16 MHz)
X2	1	Output	High Frequency Oscillator connecting pins (16 MHz)
VKK	1		VFT Driver power supply pin
DVCC	1		Power supply pin
DGND	1		GND pin (0 V)
ADREF	1		Reference voltage input for AD converter
ADGND	1		GND pin for AD converter

### 3. Operation

This section describes the functions and basic operational blocks of TMP93CF76/CF77/CW76/CU76/CT76 devices.

See the “7. Points of Concern and Restrictions” for the using notice and restrictions for each block.

#### 3.1 CPU

TMP93CF76/CF77/CW76/CU76/CT76 devices have a built-in high-performance 16-bit CPU (900/L CPU). (For CPU operation, see TLCS-900/L CPU in the previous section).

This section describes CPU functions unique to the TMP93CF76/CF77/CW76/CU76/CT76 that are not described in the previous section.

##### 3.1.1 Reset

To reset the TMP93CF76/CF77/CW76/CU76/CT76, the RESET input must be kept at 0 for at least 10 system clocks. (1.25  $\mu$ s at 16 MHz) within the operating voltage range and with a stable oscillation.

When reset is accepted, the CPU sets as follows:

- Program Counter (PC) according to Reset Vector that is stored FFFF00H to FFFF02H.
 

PC (7:0)	← stored data in location FFFF00H
PC (15:8)	← stored data in location FFFF01H
PC (23:16)	← stored data in location FFFF02H
- Stack pointer (XSP) for system mode to 100H.
- IFF2 to 0 bits of status register to 111. (Sets mask register to interrupt level 7.)
- MAX bit of status register to 1. (Sets to maximum mode)
- Bits RFP2 to 0 of status register to 000. (Sets register banks to 0.)

When reset is released, instruction execution starts from PC (reset vector). CPU internal registers other than the above are not changed.

When reset is accepted, processing for built-in I/Os, ports, and other pins is as follows

- Initializes built-in I/O registers as per specifications.
- Sets port pins (including pins also used as built-in I/Os) to general-purpose input/output port mode.

Note: By resetting, register in the CPU except program counter (PC), status register (SR) and stack pointer (XSP) and the data in internal RAM are not changed.

### 3.2 Memory Map

Figure 3.2.1 is a memory map of the TMP93CF76/CF77/CW76/CU76/CT76.

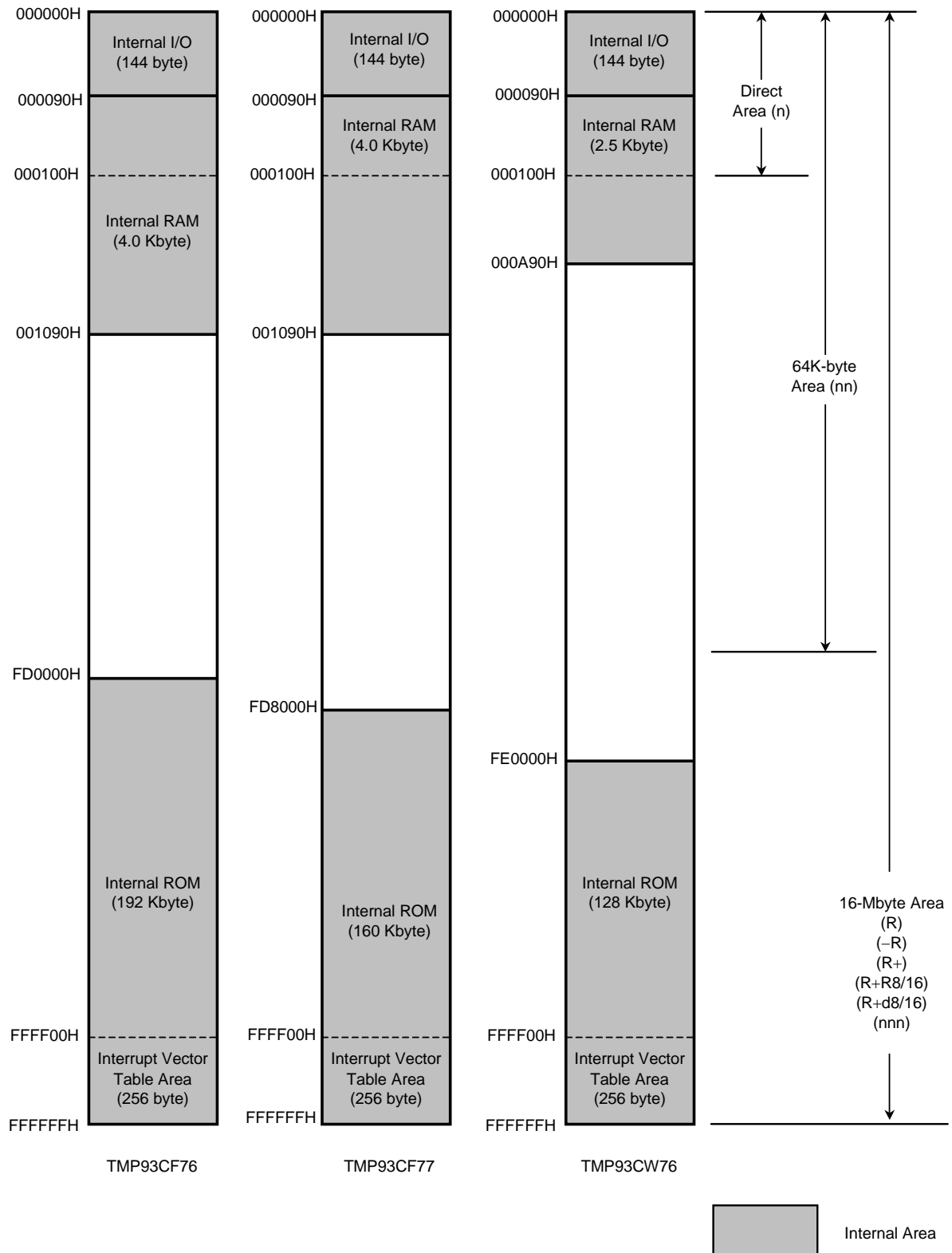


Figure 3.2.1 Memory map (1/2)

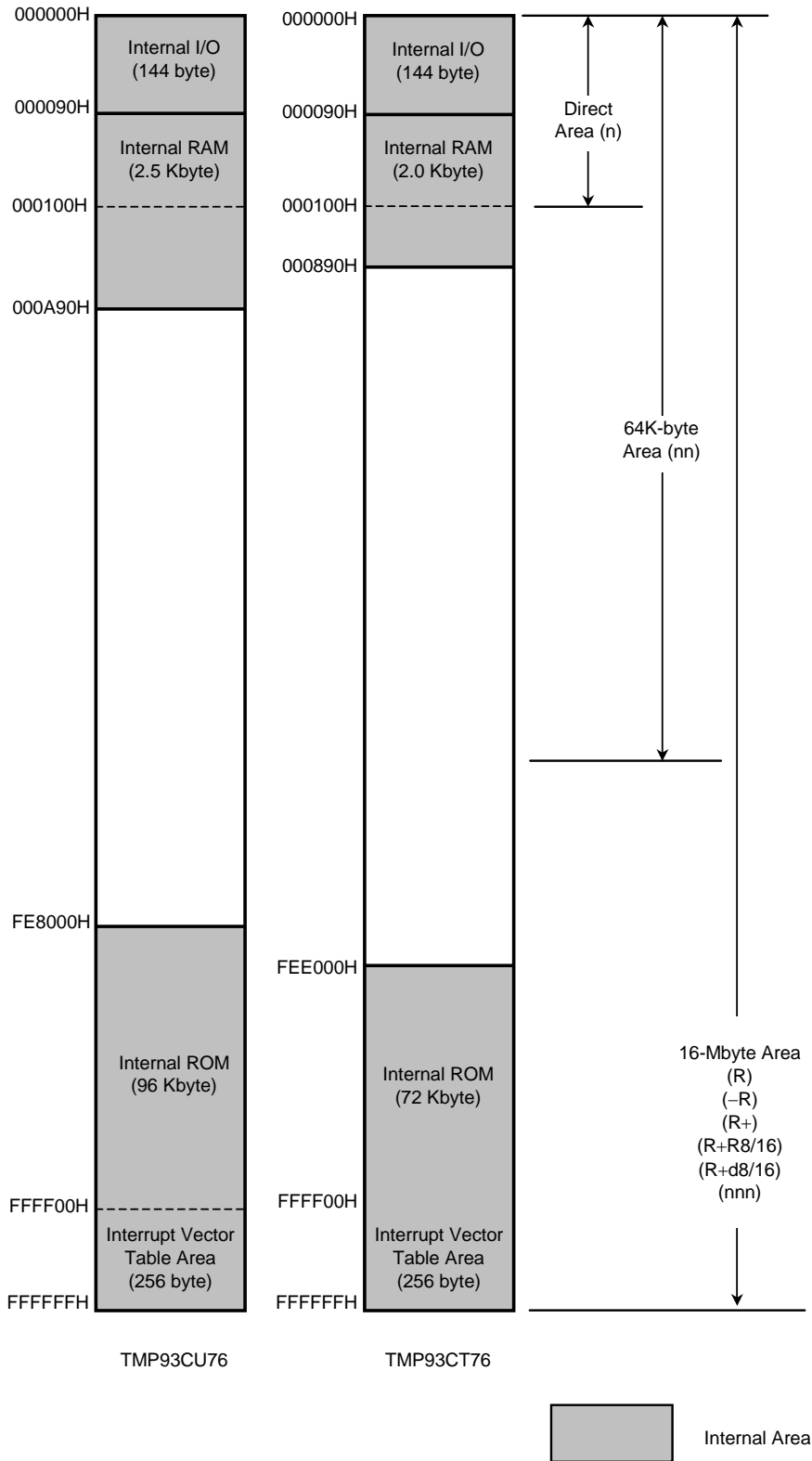


Figure 3.2.1 Memory map (2/2)

## 4. Electrical Characteristics

### 4.1 Absolute Maximum Rating

Parameter	Symbol	Rating	Unit
Power Supply Voltage	V <sub>CC</sub>	-0.5 to 6.5	V
Input Voltage	V <sub>IN</sub>	-0.5 to V <sub>CC</sub> +0.5	
Output Voltage (except PC, PD, PE, PF)	V <sub>OUT1</sub>	-0.5 to V <sub>CC</sub> +0.5	
Output Voltage (PC, PD, PE, PF)	V <sub>OUT2</sub>	V <sub>CC</sub> -40	
Output Current (except PC, PD, PE, PF) (per 1 pin)	I <sub>OH1</sub>	-3.2	mA
Output Current (PC, PD) (per 1 pin)	I <sub>OH2</sub>	-25	
Output Current (PE, PF) (per 1 pin)	I <sub>OH3</sub>	-15	
Output Current (per 1 pin)	I <sub>OL</sub>	3.2	
Output Current (total except PC, PD, PE, PF)	ΣI <sub>OH1</sub>	-40	
Output Current (total of PC, PD, PE, PF)	ΣI <sub>OH2</sub>	-120	
Output Current (total)	ΣI <sub>OL</sub>	120	
Power Dissipation (T <sub>a</sub> = 70°C)	PD	600	mW
Soldering Temperature	T <sub>solder</sub>	260	°C
Storage Temperature	T <sub>stg</sub>	-65 to 150	
Operating Temperature	T <sub>opr</sub>	-20 to 70	

Note: The absolute maximum ratings are rated values which must not be exceeded during operation, even for an instant. Any one of the ratings must not be exceeded. If any absolute maximum rating is exceeded, a device may break down or its performance may be degraded, causing it to catch fire or explode resulting in injury to the user. Thus, when designing products which include this device, ensure that no absolute maximum rating value will ever be exceeded.

### 4.2 DC Characteristics (1/2)

T <sub>a</sub> = -20 to 70°C								
Parameter		Symbol	Condition	Min	Typ.	Max	Unit	
Power Supply Voltage		V <sub>CC</sub>	f <sub>c</sub> = 4 to 16 MHz	4.5		5.5	V	
			f <sub>s</sub> = 30 to 34 kHz	2.7				
Input Low Voltage	P0, P1, P2, P4, P9, PA, PB, PE, PF	V <sub>IL1</sub> (CMOS)	V <sub>CC</sub> = 2.7 to 5.5 V	-0.3		0.3 V <sub>CC</sub>	V	
	RESET, P5, P7, P8	V <sub>IL2</sub> (Schmitt)				0.25 V <sub>CC</sub>		
	TEST	V <sub>IL3</sub> (Fixed)				0.3		
	X1	V <sub>IL4</sub> (Xtal)				0.2 V <sub>CC</sub>		
Input High Voltage	P0, P1, P2, P4, P9, PA, PB, PE, PF	V <sub>IH1</sub> (CMOS)		0.7 V <sub>CC</sub>				V <sub>CC</sub> + 0.3
	RESET, P5, P7, P8	V <sub>IH2</sub> (Schmitt)		0.75 V <sub>CC</sub>				
	TEST	V <sub>IH3</sub> (Fixed)		V <sub>CC</sub> - 0.3				
	X1	V <sub>IH4</sub> (Xtal)		0.8 V <sub>CC</sub>				

4.2 DC Characteristics (2/2)

Ta = -20 to 70°C

Parameter	Symbol	Condition	Min	Typ.	Max	Unit
Output Low Voltage	VOL	IOL = 1.6 mA (Vcc = 2.7 to 5.5 V)			0.45	V
Output High Voltage	VOH	IOH = -400 µA (Vcc = 2.7 to 5.5 V)	2.4			V
	VOH1	IOH = -700 µA (Vcc = 4.5 to 5.5 V)	4.1			
PE, PF	IOH	Vcc = 4.5 V	-5			mA
PC, PD		VOH = 2.4 V	-15			
Input Leakage Current	ILI	0.0 ≤ Vin ≤ VCC		0.02	±5	µA
Output Leakage Current	ILO	0.2 ≤ Vin ≤ VCC -0.2		0.05	±10	
Power Down Voltage	VSTOP	VIL2 = 0.2 VCC, VIH2 = 0.8 VCC	2.0		6.0	V
RESET	RRST	Vcc = 5 V ± 10%	50		150	kΩ
Pull Up Resistor		Vcc = 3 V ± 10%	80		200	
Pin Capacitance	CIO	osc = 1 MHz/100 mVp-p			10	pF
Schmitt Width RESET , P5,P7,P8	VTH			1.0		V
NORMAL	Icc	Vcc = 5 V ± 10% fc = 16 MHz		30	50	mA
RUN				18	28	
IDLE2				15	25	
IDLE1				5	8	
SLOW	Icc	Vcc = 3 V ± 10% fs = 32.768 kHz (typ: VCC = 3.0 V)		50	80	µA
RUN				30	45	
IDLE2				25	40	
IDLE1				12	25	
STOP		Vcc = 2.7 to 5.5 V		0.2	10	

Note 1: Typical value are for Ta = 25°C and Vcc = 5 V unless otherwise noted.

Note 2: Icc measurement conditions (NORMAL,SLOW).

Only CPU is operational;output pins are open and input pins are fixed.

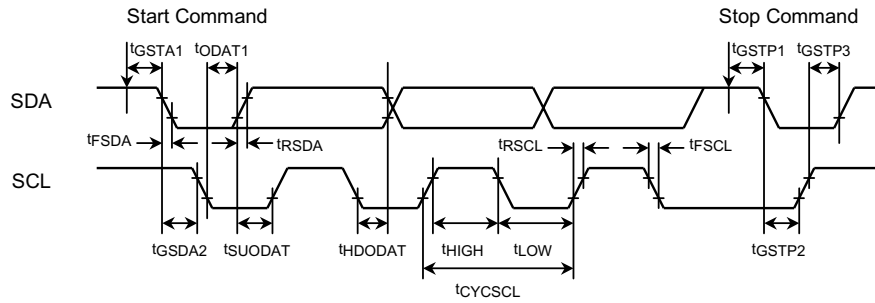
4.3 AD Conversion Characteristics

Ta = -20 to 70°C, VCC = 4.5 to 5.5 V

Parameter	Symbol	Min	Typ.	Max	Unit
Analog Reference Voltage Supply	ADREF	Vcc - 1.5	Vcc	Vcc	V
	ADGND	Vss	Vss	Vss	V
Analog Input Voltage Range	VAIN	ADGND	—	ADREF	V
Analog Current for ADREF	IREF	—	1.0	1.5	mA
Total tolerance (excludes quantization error) (Ta = 25°C, Vcc = ADREF = 5 V)	ET	—	—	±3	LSB

### 4.4 Serial Bus Interface Timing

#### (1) I<sup>2</sup>C bus Logic Timing



Parameter	Symbol	Min	Typ.	Max	Unit
SCL cycle	$t_{CYCSCL}$	$2^N/fc$	—	—	s
SCL low pulse width	$t_{LOW}$	—	$2^{N-1}/fc$	—	s
SCL High pulse width	$t_{HIGH}$	$2^{N-1}/fc$	—	—	s
SDA Rising Time (Note 1)	$t_{RSDA}$	—	—	—	s
SDA Falling Time (Note 1)	$t_{FSDA}$	—	—	—	s
SCL Rising Time (Note 1)	$t_{RSCL}$	—	—	—	s
SCL Falling Time (Note 1)	$t_{FSCL}$	—	—	—	s
The time from start command write to start sheecense	$t_{GSTA1}$	—	—	$2^N/fc$	s
Start condition hold time, start generation of the first clock after this	$t_{GSTA2}$	—	$2^{N-1}/fc$	—	s
Delay time from SCL falling to data output (Note 2)	$t_{ODAT1}$	—	—	$5/fc$	s
Set up time of data output for SCL rising (Note 2)	$t_{SUODAT}$	0	—	—	s
The time of holding data for SCL rising (Note 3)	$t_{HDODAT}$	$4/fc$	—	—	s
The time from stop command write to starting stop sheecense	$t_{GSTP1}$	—	—	$2^{N-1}/fc$	s
The time from SDA falling to SCL rising (during stop sheecense)	$t_{GSTP2}$	$2^{N-2}/fc$	—	—	s
Stop condition set up time	$t_{GSTP3}$	$2^{N-1}/fc$	—	—	s

Note 1: The time of rising/falling depend on the feature of bus interface.

Note 2: The worst case is at the first bit of slave address.

Note 3: The worst case is at the acknowledge bit.

Note 4: N: dividing value set by I2CCR1 <SCK 2:0>.

SCK	N
000	6
001	7
010	8
011	9
100	10
101	11
110	12
111	reserved



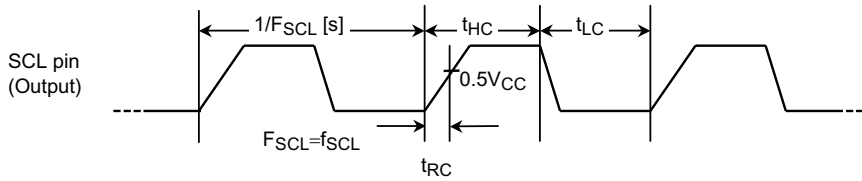
(2) Master SCL output timing

The I2CCR1 <SCK 2:0> are used to select a maximum transfer frequency directed from the SCL pin in the master mode. When rising time of the output clock ( $t_{RC}$ ) is at least  $8/f_c$  [s], a high-level time of the output clock ( $t_{HC}$ ) is  $t_{SCL}$ .

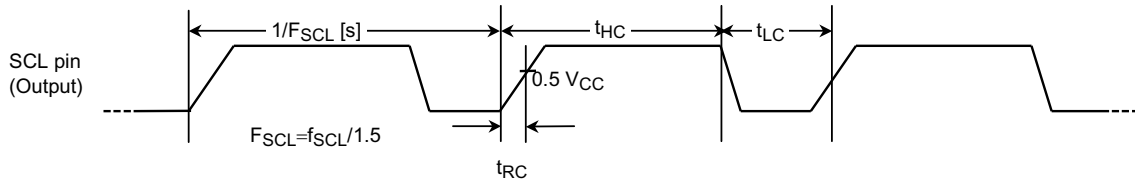
While the SCL line is fixed to low-level by a slave device, the output clock stops.

The first clock ( $t_{HC}$  [s]) after restart is  $(t_{SCL}/2) \leq t_{HC} \leq t_{SCL}$ .

(a) In case of  $t_{RC} < (8/f_c)$  [s]  $t_{HC} = t_{LC} = t_{SCL}/2$  [s] ( $t_{SCL} = 1/f_{SCL}$  [s])



(b) In case of  $t_{RC} \geq (8/f_c)$  [s]  $t_{HC} = t_{SCL}$  [s] ,  $t_{LC} = t_{SCL}/2$  [s]



(3) Clock Syncro 8 bit SIO mode

1. SCK Input mode

Parameter	Symbol	Expression		Unit
		Min	Max	
SCK cycle	$t_{SCY2}$	$2^5X$		s
SCK falling→Latch output data	$t_{OHS2}$	$6X$		s
Enable output data→SCK raising	$t_{OSS2}$		$t_{SCY2} - 16X$	s
SCK raising→Latch input data	$t_{HSR2}$	$6X$		ns
Enable input data→SCK raising	$t_{ISS2}$	0		ns

Note:  $X = 1/f_c$

2. SCK Output mode

Parameter	Symbol	Expression		Unit
		Min	Max	
SCK cycle	$t_{SCY2}$	$2^5X$	$2^{11}X$	s
SCK falling→Latch output data	$t_{OHS2}$	$2X$		s
Enable output data→SCK raising	$t_{OSS2}$		$t_{SCY2} - 2X$	s
SCK raising→Latch input data	$t_{HSR2}$	$2X$		s
Enable input data→SCK raising	$t_{ISS2}$	0		ns

Note:  $X = 1/f_c$

