



FEATURES

- Extended Data Out operation
- RAS access time: 35, 40, 50, 60
- 2 CAS Byte/Word Read/Write operation
- CAS - before -RAS refresh capability
- RAS only and Hidden refresh capability
- Early write or output enable controlled write
- Package : 40pin 400mil SOJ packages  
40 pin 400mil TSOP- II
- Single +5V±10% power supply
- TTL compatible inputs and outputs
- 256 refresh cycles /8ms

Speed	-35	-40	-50	-60
t <sub>RAC</sub>	35ns	40ns	50ns	60ns
t <sub>CAA</sub>	18ns	20ns	24ns	30ns
t <sub>PC</sub>	14ns	15ns	19ns	27ns
t <sub>CAC</sub>	11ns	12ns	14ns	15ns
t <sub>RC</sub>	70ns	75ns	90ns	110ns

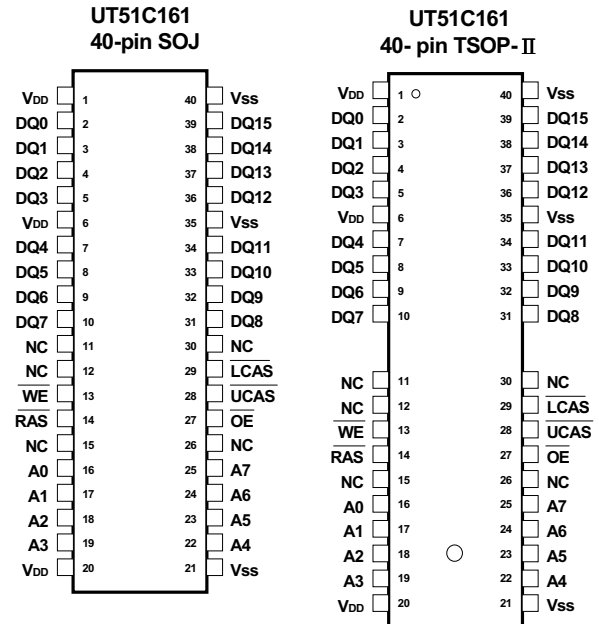
PIN DESCRIPTION

SYMBOL	DESCRIPTION
A0-A7	Address Inputs
RAS	Row Address Strobe
UCAS	Column Address Strobe/Upper Byte Control
LCAS	Column Address Strobe/Lower Byte Control
WE	Write enable
OE	Output enable
DQ0-DQ15	Data Input, Data Output
VDD	+5V Supply
Vss	0V Supply
NC	No Connect

GENERAL DESCRIPTION

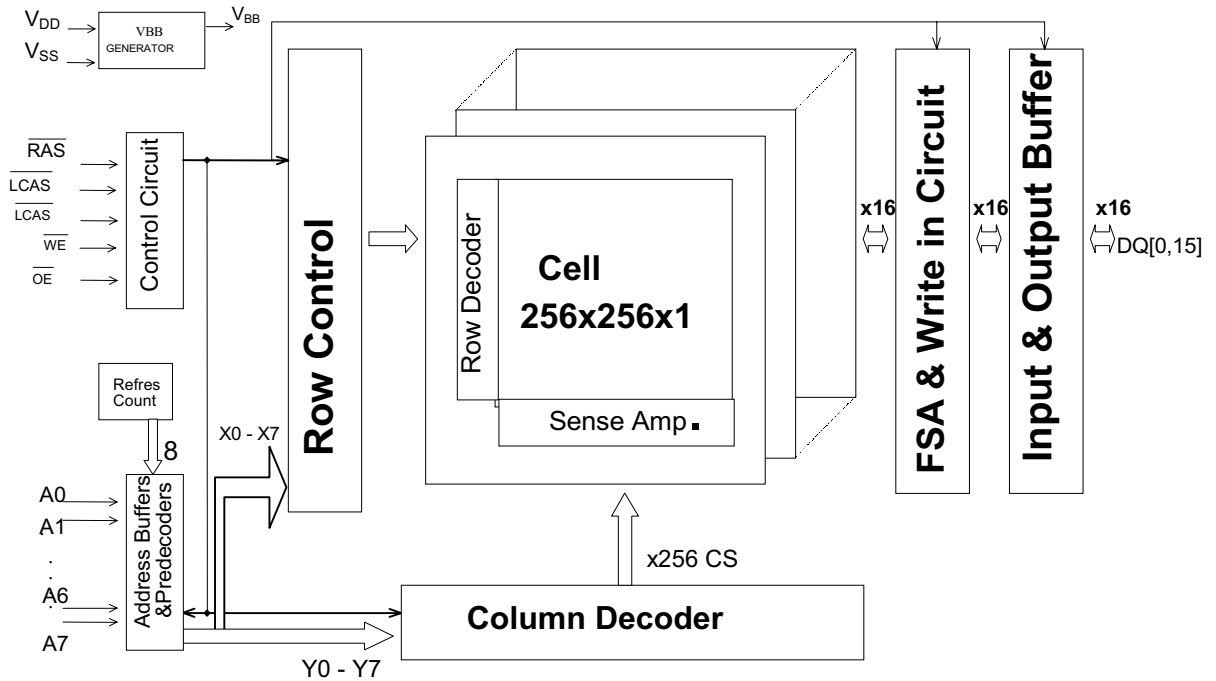
The UT51C161 is high speed 5 Volt EDO DRAMs organized as 64K bit X 16 I/O and fabricated with the CMOS process. The UT51C161 offers a combination of unique features including: EDO Page Mode operation for higher bandwidth with Page Mode cycle time as short as 14ns. All inputs are TTL compatible. Input and output capacitance is significantly lowered to increase performance and minimize loading. These features make the UT51C161 suited for wide variety of high performance computer systems and peripheral applications

PIN ARRANGEMENT





FUNCTION BLOCK DIAGRAM



**ABSOLUTE MAXIMUM RATINGS**

PARAMETER	SYMBOL	VALUE	UNIT	NOTES
Voltage on any pin relative to V <sub>ss</sub>	V <sub>T</sub>	-1.0 to +7V	V	
Supply voltage relative to V <sub>ss</sub>	V <sub>DD</sub>	-1.0 to +7V	V	
Short circuit output current	I <sub>OUT</sub>	50	mA	
Power dissipation	P <sub>T</sub>	1.0	W	
Operating temperature	T <sub>OPR</sub>	0 to + 70	°C	
Storage temperature	T <sub>STG</sub>	-55 to +125	°C	

Notes: Permanent device damage may occur if absolute maximum ratings are exceeded.

**RECOMMENDED DC OPERATING CONDITIONS (T<sub>A</sub> = 0°C TO +70°C)**

PARAMETER	SYMBOL	MIN	MAX	UNIT	NOTES
Supply voltage	V <sub>DD</sub>	4.5	5.5	V	1
	V <sub>SS</sub>	0	0	V	
Input high voltage	V <sub>IH</sub>	2.4	V <sub>DD</sub> +1V	V	1,2
Input low voltage	V <sub>IL</sub>	-0.3	0.8	V	1,3

Notes: 1. All Voltage referred to V<sub>ss</sub>  
 2. V<sub>IH</sub>(MAX)= 7 V for pulse width ≤ 20ns  
 3. V<sub>IL</sub> (MIN)= -1.0V for pulse width ≤ 20ns

**CAPACITANCE**(T<sub>A</sub> = 25°C, V<sub>DD</sub>=5V±10%, f=1MHz)

	SYMBOL	TYP	MAX	UNIT
Input capacitance(A0-A7)	C <sub>IN1</sub>	3	4	pF
Input Capacitance ( $\overline{\text{RAS}}$ , $\overline{\text{UCAS}}$ , $\overline{\text{LCAS}}$ , $\overline{\text{WE}}$ , $\overline{\text{OE}}$ )	C <sub>IN2</sub>	4	5	pF
Output capacitance(DQ0-DQ15)	C <sub>DQ</sub>	5	7	pF

**DC CHARACTERISTICS** ( $T_A = 0^\circ\text{C}$  to  $70^\circ\text{C}$ ,  $V_{DD} = 5.0\text{ V} \pm 0.5\text{ V}$ ,  $V_{SS} = 0\text{ V}$ )

SYMBOL	PARAMETER	SPEED ( $t_{RAC}$ )	UT51C161		UNIT	TEST CONDITION
			Min	Max		
IDD1	Operating current, Vdd supply	-35		150	mA	$t_{RC} = t_{RC}(\text{min.})$
		-40		140		
		-50		130		
		-60		120		
IDD2	Standby current (TTL input)			3	mA	$\overline{RAS} = \overline{UCAS} = \overline{LCAS} = V_{IH}$
IDD3	RAS only refresh current	-35		150	mA	$t_{RC} = t_{RC}(\text{min.})$
		-40		140		
		-50		130		
		-60		120		
IDD4	EDO page mode current	-35		180	mA	$t_{PC} = t_{PC}(\text{min.})$
		-40		160		
		-50		150		
		-60		140		
IDD5	CBR refresh current	-35		150	mA	$t_{RC} = t_{RC}(\text{min.})$
		-40		140		
		-50		130		
		-60		120		
IDD6	Standby current (CMOS input)			2	mA	$\overline{RAS} \geq V_{DD}-0.2\text{V}$ $\overline{CAS} \geq V_{DD}-0.2\text{V}$ All other inputs $\geq V_{SS}$
V <sub>DD</sub>	Power Supply		4.5	5.5	V	
I <sub>LI</sub>	Input Leakage Current		-10	10	uA	$V_{SS} \leq V_{IN} \leq V_{DD}$
I <sub>LO</sub>	Output Leakage Current		-10	10	uA	$V_{SS} \leq V_{OUT} \leq V_{DD}$ $\overline{RAS} = \overline{CAS} = V_{IH}$
V <sub>IL</sub>	Input Low Voltage		-1	0.8	V	
V <sub>IH</sub>	Input High Voltage		2.4	V <sub>DD</sub> + 1	V	
V <sub>OL</sub>	Output Low Voltage			0.4	V	I <sub>OL</sub> = 2mA
V <sub>OH</sub>	Output High Voltage		2.4		V	I <sub>OH</sub> = 2mA

Notes: I<sub>DD1</sub>, I<sub>DD3</sub>, I<sub>DD4</sub>, I<sub>DD5</sub> are dependent on output loading and cycle rates. Specified values are obtained with the output open. IDD is specified as an average current. In I<sub>DD1</sub>, I<sub>DD3</sub>, and I<sub>DD5</sub> address can be changed maximum once while  $\overline{RAS} = V_{IL}$ . In I<sub>DD4</sub>, address can be changed maximum once within one EDO page cycle time,  $t_{PC}$ .

**AC CHARACTERISTICS** ( $T_A = 0^\circ\text{C}$  to  $70^\circ\text{C}$ ,  $V_{DD} = 5V \pm 10\%$ ,  $V_{SS} = 0V$ )Test condition:  $V_{DD} = 5.0V \pm 10\%$ ,  $V_{IH}/V_{IL} = 3V/0V$ ,  $V_{OH}/V_{OL} = 2.0/0.8$ 

	SYMBOL	PARAMETER	35		40		50		60		UNIT	
			Min.	Max	Min.	Max	Min.	Max	Min.	Max		
1	$t_{RAS}$	$\overline{RAS}$ Pulse Width	35	75K	40	75K	50	75K	60	75K	ns	
2	$t_{RC}$	Read or Write Cycle Time	70		75		90		110		ns	
3	$t_{RP}$	$\overline{RAS}$ Precharge Time	25		25		30		40		ns	
4	$t_{CSH}$	$\overline{CAS}$ Hold Time	35		40		50		60		ns	
5	$t_{CAS}$	$\overline{CAS}$ Pulse Width	8		8		10		10		ns	
6	$t_{RCD}$	$\overline{RAS}$ to $\overline{CAS}$ Delay	13	24	17	28	19	36	20	45	ns	
7	$t_{RCS}$	Read Command Setup Time	0		0		0		0		ns	*1
8	$t_{ASR}$	Row Address Setup Time	0		0		0		0		ns	
9	$t_{RAH}$	Row Address hold Time	6		7		9		10		ns	
10	$t_{ASC}$	Column Address Setup Time	0		0		0		0		ns	
11	$t_{CAH}$	Column Address Hold Time	6		7		9		10		ns	
12	$t_{RSH}$	$\overline{RAS}$ to $\overline{CAS}$ Hold Time	10		12		14		15		ns	
13	$t_{CRP}$	$\overline{CAS}$ to $\overline{RAS}$ Precharge Time	5		5		5		5		ns	
14	$t_{RCH}$	Read Command Hold Time Reference $\overline{CAS}$	0		0		0		0		ns	*2
15	$t_{RRH}$	Read Command Hold Time Reference $\overline{RAS}$	0		0		0		0		ns	*2
16	$t_{ROH}$	$\overline{RAS}$ Hold Time Referenced to $\overline{OE}$	7		8		10		10		ns	
17	$t_{OAC}$	Access Time from $\overline{OE}$		11		12		14		15	ns	*9
18	$t_{CAC}$	Access Time from $\overline{CAS}$		11		12		14		15	ns	*3,4,11
19	$t_{RAC}$	Access Time from $\overline{RAS}$		35		40		50		60	ns	*3,5,6
20	$t_{CAA}$	Access Time From Column Address		18		20		24		30	ns	*3,4,7
21	$t_{LZ}$	$\overline{OE}$ or $\overline{CAS}$ to Low-Z Output	0		0		0		0		ns	*13
22	$t_{HZ}$	$\overline{OE}$ or $\overline{CAS}$ to High-Z Output	0	5	0	6	0	8	0	10	ns	*13
23	$t_{AR}$	Column Address Hold Time from $\overline{RAS}$	25		30		40		50		ns	
24	$t_{RAD}$	$\overline{RAS}$ to Column Address Delay Time	10	17	12	20	14	26	15	30	ns	*8
25	$t_T$	Transition Time	1.5	50	1.5	50	1.5	50	1.5	50	ns	*12
26	$t_{CWL}$	Write Command to $\overline{CAS}$ Lead Time	8		10		10		10		ns	
27	$t_{WCS}$	Write Command Setup Time	0		0		0		0		ns	*9,10
28	$t_{WCH}$	Write Command Hold time	5		6		7		10		ns	

**AC CHARACTERISTICS** ( $T_A = 0^\circ\text{C}$  to  $70^\circ\text{C}$ ,  $V_{DD} = 5V \pm 10\%$ ,  $V_{SS} = 0V$ )

	SYMBOL	PARAMETER	35		40		50		60		unit	
			Min.	Max	Min.	Max	Min.	Max	Min.	Max		
29	$t_{WP}$	Write Pulse Width	5		6		7		10		ns	
30	$t_{WCR}$	Write Command Hold Time from $\overline{RAS}$	25		30		40		50		ns	
31	$t_{RWL}$	Write Command to $\overline{RAS}$ Lead Time	11		12		14		15		ns	
32	$t_{DS}$	Data in Setup Time	0		0		0		0		ns	*11
33	$t_{DH}$	Data in Hold Time	5		6		7		10		ns	*11
34	$t_{WOH}$	Write to $\overline{OE}$ Hold time	5		6		8		10		ns	*11
35	$t_{OED}$	$\overline{OE}$ to Data Delay Time	5		6		8		10		ns	*11
36	$t_{RWC}$	Read-Modify-Write Cycle Time	105		110		130		170		Ns	
37	$t_{RRW}$	Read-Modify-Write Cycle Time $\overline{RAS}$ Pulse Width	70		75		85		105		ns	
38	$t_{CWD}$	$\overline{CAS}$ to $\overline{WE}$ Delay in Read-Modify-Write Cycle	28		30		34		40		ns	*9
39	$t_{RWD}$	$\overline{RAS}$ to $\overline{WE}$ Delay in Read-Modify-Write Cycle	54		58		68		85		ns	*9
40	$t_{CRW}$	$\overline{CAS}$ pulse Width in RMW	46		48		52		65		ns	
41	$t_{AWD}$	Column Address to $\overline{WE}$ Delay Time	35		38		42		58		ns	*9
42	$t_{PC}$	EDO Page Mode Read or Write Cycle Time	14		15		19		27		ns	
43	$t_{CP}$	$\overline{CAS}$ Precharge Time	4		5		7		10		ns	
44	$t_{CAR}$	Column Address to $\overline{RAS}$ Setup Time	18		20		24		30		ns	
45	$t_{CAP}$	Access Time from Column Precharge		20		23		27		34	ns	*4
46	$t_{DHR}$	Data in Hold Time Referenced to $\overline{RAS}$	25		30		40		50		ns	
47	$t_{CSR}$	$\overline{CAS}$ Setup Time in CBR Refresh	8		10		10		10		ns	
48	$t_{RPC}$	$\overline{RAS}$ to $\overline{CAS}$ Precharge Time	0		0		0		0		ns	
49	$t_{CHR}$	$\overline{CAS}$ Hold Time in CBR Refresh	8		9		12		15		ns	
50	$t_{PCM}$	EDO Page Mode Cycle Time in RMW	55		60		70		85		ns	
51	$t_{COH}$	Output Hold After $\overline{CAS}$ Low	3		3		3		3		ns	
52	$t_{OES}$	$\overline{OE}$ Low to $\overline{CAS}$ High Setup Time	3		4		6		8		ns	
53	$t_{OEH}$	$\overline{OE}$ Hold Time from $\overline{WE}$ in RMW Cycle	5		6		8		10		ns	
54	$t_{OEP}$	$\overline{OE}$ Pulse Width	8		10		14		18		ns	
55	$t_{REF}$	Refresh Interval (512 Cycles)		8		8		8		8	ms	*14



## Notes:

1.  $t_{RCD}$  (Max.) is specified for reference only. Operation within  $t_{RCD}$  (Max.) limits insures that  $t_{RAC}$  (Max.) and  $t_{CAA}$  (Max.) can be met. If  $t_{RCD}$  is greater than the specified  $t_{RCD}$  (Max.), the access time is controlled by  $t_{CAA}$  and  $t_{CAC}$ .
2. Either  $t_{RRH}$  or  $t_{RCH}$  must be satisfied for Read Cycle to occur.
3. Measured with a load equivalent to one TTL input and 50pF.
4. Access time is determined by the longest of  $t_{CAA}$ ,  $t_{CAC}$  and  $t_{CAP}$ .
5. Assumes that  $t_{RAD} \leq t_{RAD}(\text{Max.})$ . If  $t_{RCD}$  is greater than  $t_{RCD}(\text{Max.})$ ,  $t_{RAC}$  will increase by the amount that  $t_{RCD}$  exceeds  $t_{RCD}(\text{Max.})$ .
6. Assumes that  $t_{RCD} \leq t_{RCD}(\text{Max.})$ . If  $t_{RAD}$  is greater than  $t_{RAD}(\text{Max.})$ ,  $t_{RAC}$  will increase by the amount that  $t_{RAD}$  exceeds  $t_{RAD}(\text{Max.})$ .
7. Assumes that  $t_{RAD} \geq t_{RAD}(\text{Max.})$ .
8. Operation within the  $t_{RAD}(\text{Max.})$  limits ensures that  $t_{RA}$  can be met.  $t_{RAD}(\text{Max.})$  is specified as a reference point only. If  $t_{RAD}$  is greater than the specified  $t_{RAD}(\text{Max.})$ , the access time is controlled by  $t_{CAA}$  and  $t_{CAC}$ .
9.  $t_{WCS}$ ,  $t_{RWD}$ ,  $t_{AWD}$  and  $t_{CWD}$  are not restrictive operating parameters.
10.  $t_{WCS}(\text{min.})$  must be satisfied in an Early Write Cycle.
11.  $t_{DS}$  and  $t_{DH}$  are referenced to the latter occurrence of  $\overline{\text{CAS}}$  or  $\overline{\text{WE}}$ .
12.  $t_T$  is measured between  $V_{IH}(\text{min.})$  and  $V_{IL}(\text{max.})$ . AC-measurements assume  $t_T = 3\text{Ns}$ .
13. Assumes a tri-state test load (5pF and a 500Ohm Thevenin equivalent).
14. An initial pause of 200us is required after power-up followed by any 8 CBR or ROR cycles before device operation is achieved.



## TRUTH TABLE

FUNCTION	$\overline{\text{RAS}}$	$\overline{\text{LCAS}}$	$\overline{\text{UCAS}}$	$\overline{\text{WE}}$	$\overline{\text{OE}}$	ADDRESS	DQ0-7	DQ8-15	
Standby	H	H	H	X	X	X	High-Z	High-Z	
Read: Word	L	L	L	H	L	ROW/COL	DQ-OUT		
Read: Lower Byte	L	L	H	H	L	ROW/COL	DQ-OUT	High-Z	
Read: Upper Byte	L	H	L	H	L	ROW/COL	High-Z	DQ-OUT	
Write: Word (Early-Write)	L	L	L	L	X	ROW/COL	DQ-IN		
Write: Lower Byte (Early-Write)	L	L	H	L	X	ROW/COL	DQ-IN	High-Z	
Write: Upper Byte (Early-Write)	L	H	L	L	X	ROW/COL	High-Z	DQ-IN	
Read-Write	L	L	L	H→L	L→H	ROW/COL	DQ-OUT, DQ-IN		*1,2
EDO Page-Mode Read	L	H→L	H→L	H	L	COL	DQ-OUT		*2
EDO Page-Mode Write	L	H→L	H→L	L	X	COL	DQ-IN		*2
EDO Page –Mode Read-Write	L	H→L	H→L	H→L	L→H	COL	DQ-OUT, DQ-IN		*1,2
Hidden Refresh Read	L→H→L	L	L	H	L	ROW/COL	DQ-OUT		*2
$\overline{\text{RAS}}$ Only Refresh	L	H	H	X	X	ROW	High-Z		
CBR Refresh	H→L	L	L	X	X	X	High-Z		

## Notes:

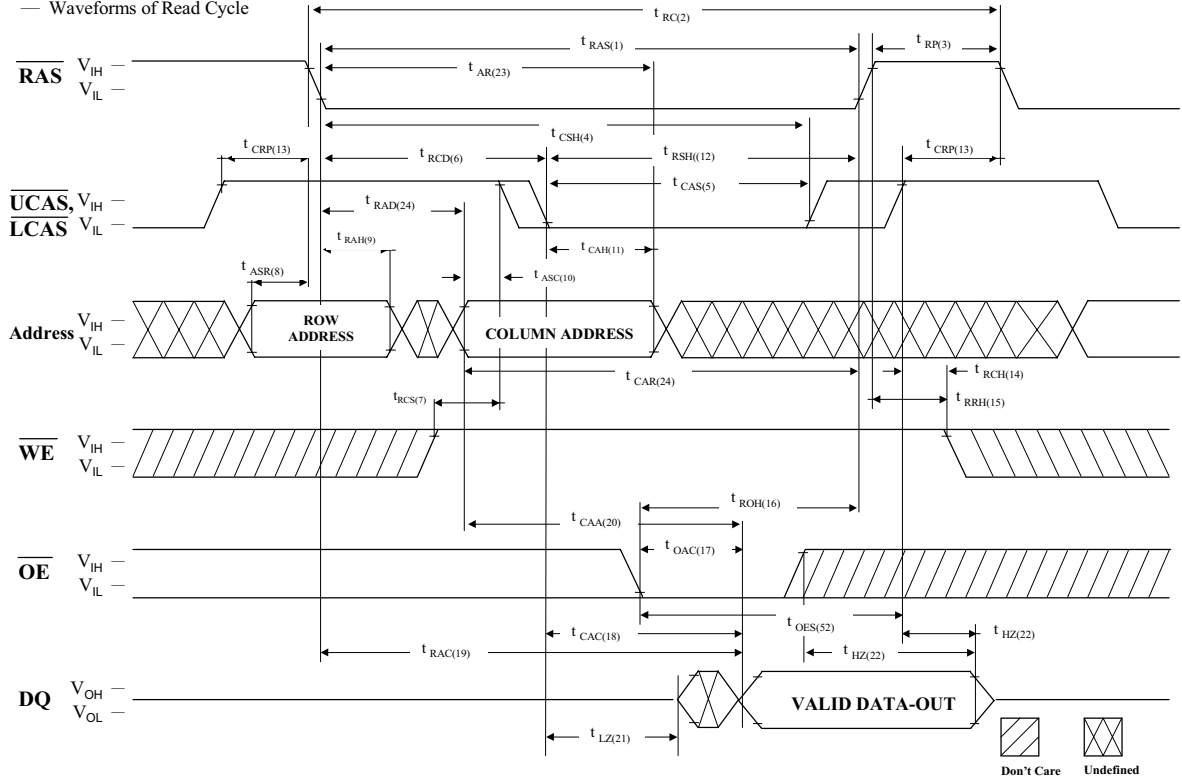
1. Byte Write cycles  $\overline{\text{LCAS}}$  or  $\overline{\text{UCAS}}$  active.
2. Byte Read cycles  $\overline{\text{LCAS}}$  or  $\overline{\text{UCAS}}$  active.





UTRON EDO Mode, X16 (2CAS) Device Timing Diagram

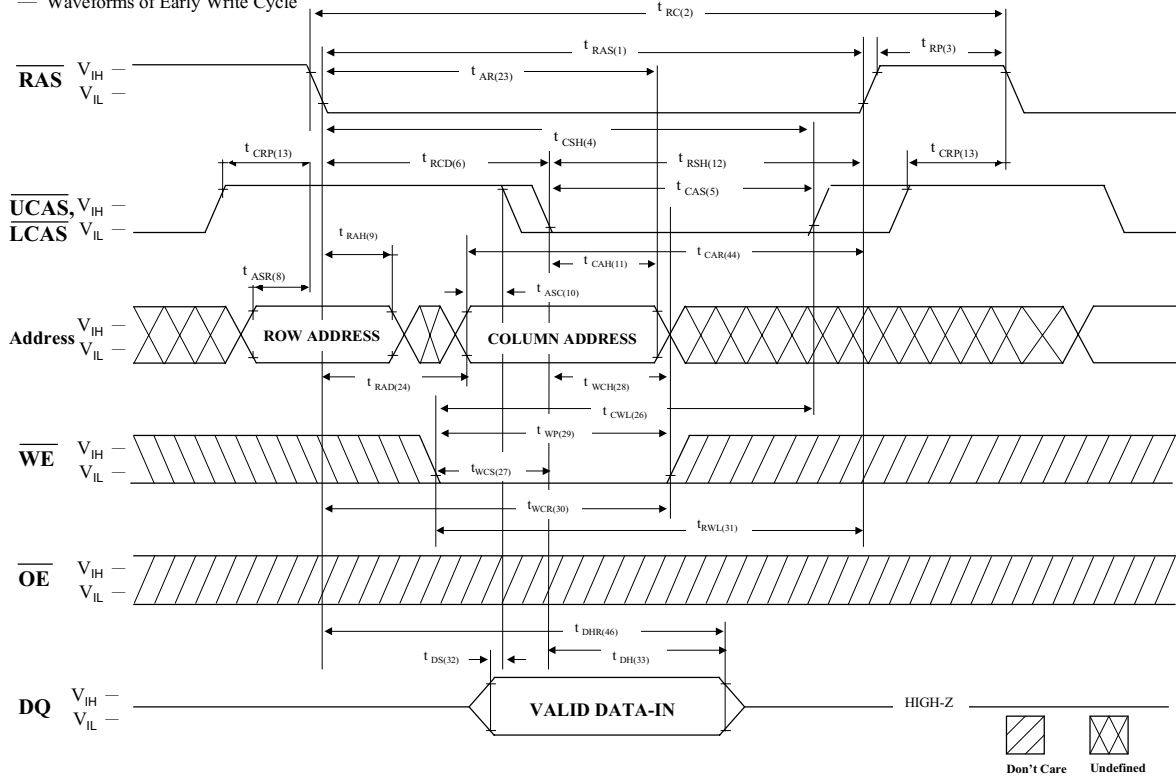
— Waveforms of Read Cycle





UTRON EDO Mode, X16 (2CAS) Device Timing Diagram

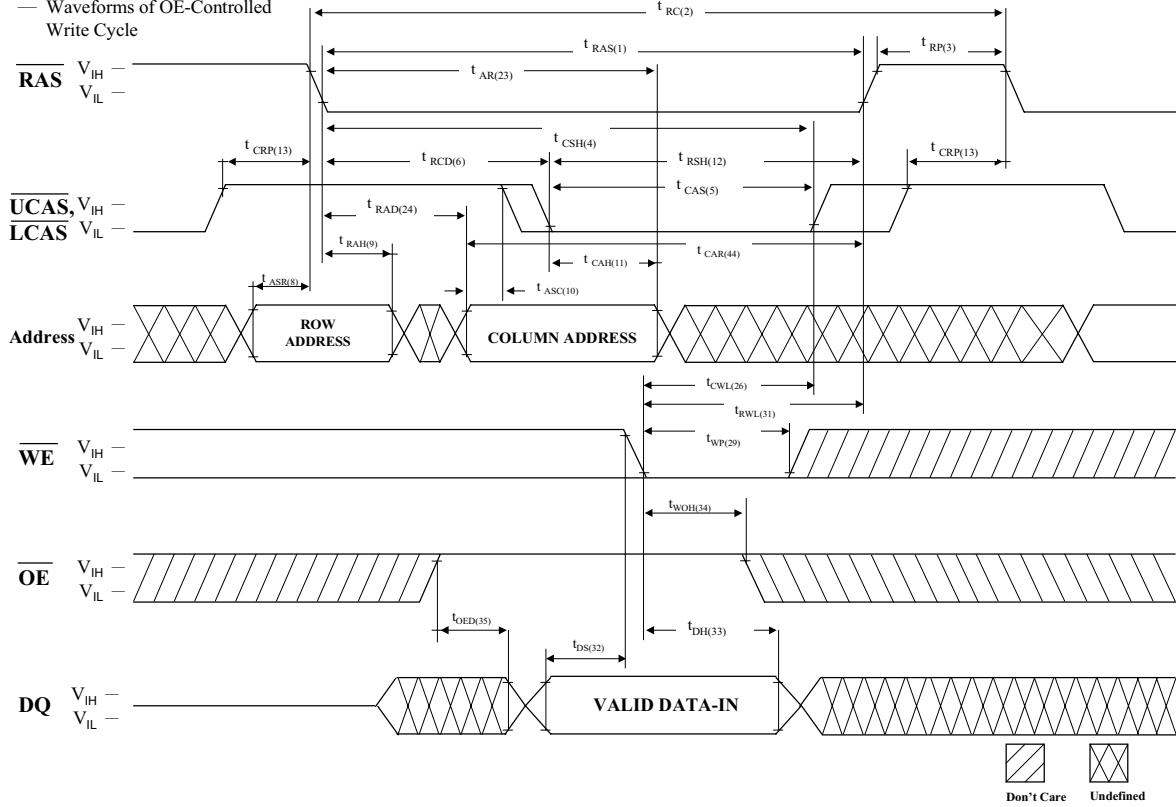
— Waveforms of Early Write Cycle





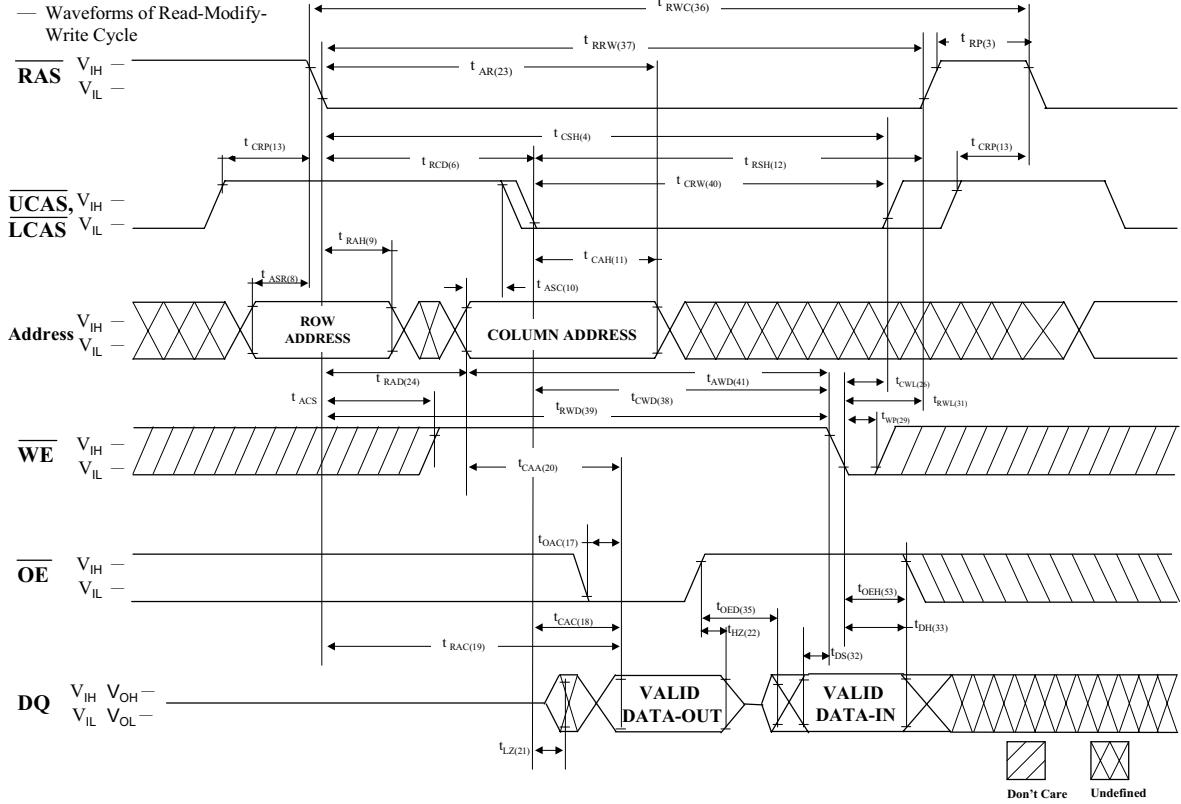
UTRON EDO Mode, X16 (2CAS) Device Timing Diagram

— Waveforms of OE-Controlled Write Cycle





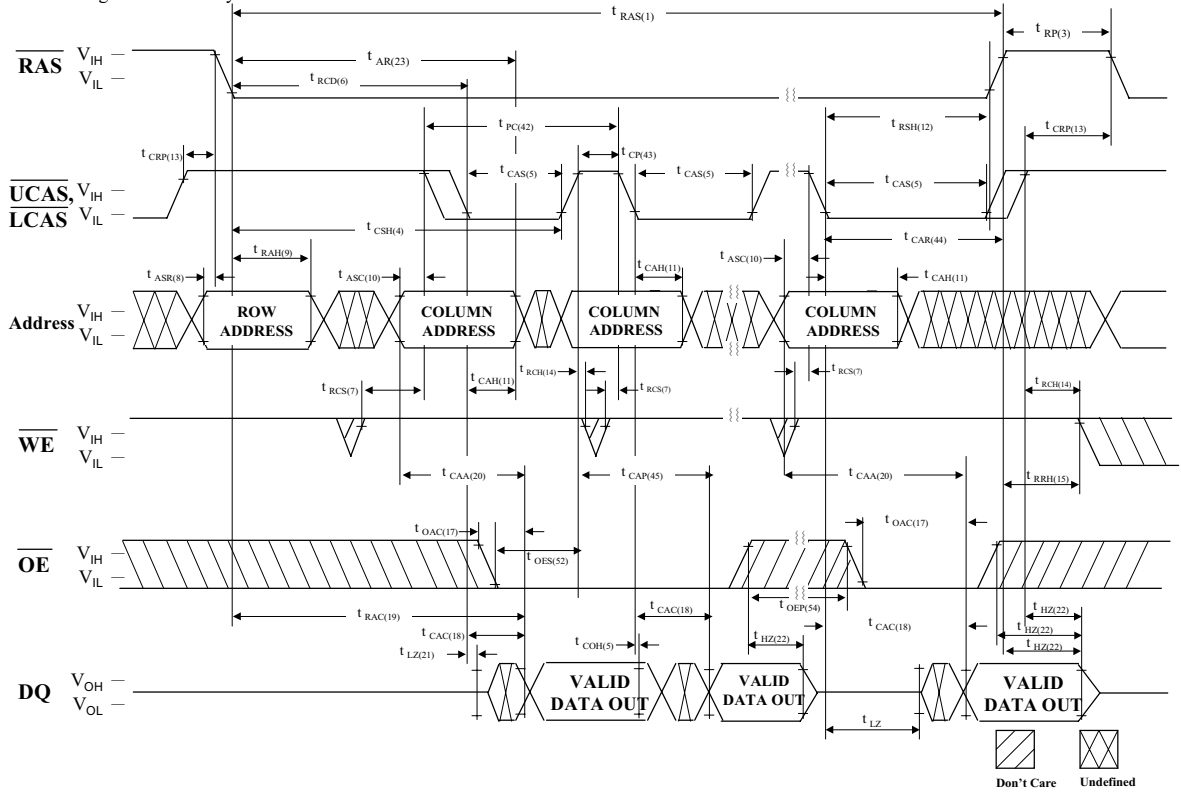
UTRON EDO Mode, X16 (2CAS) Device Timing Diagram





UTRON EDO Mode, X16 (2CAS) Device Timing Diagram

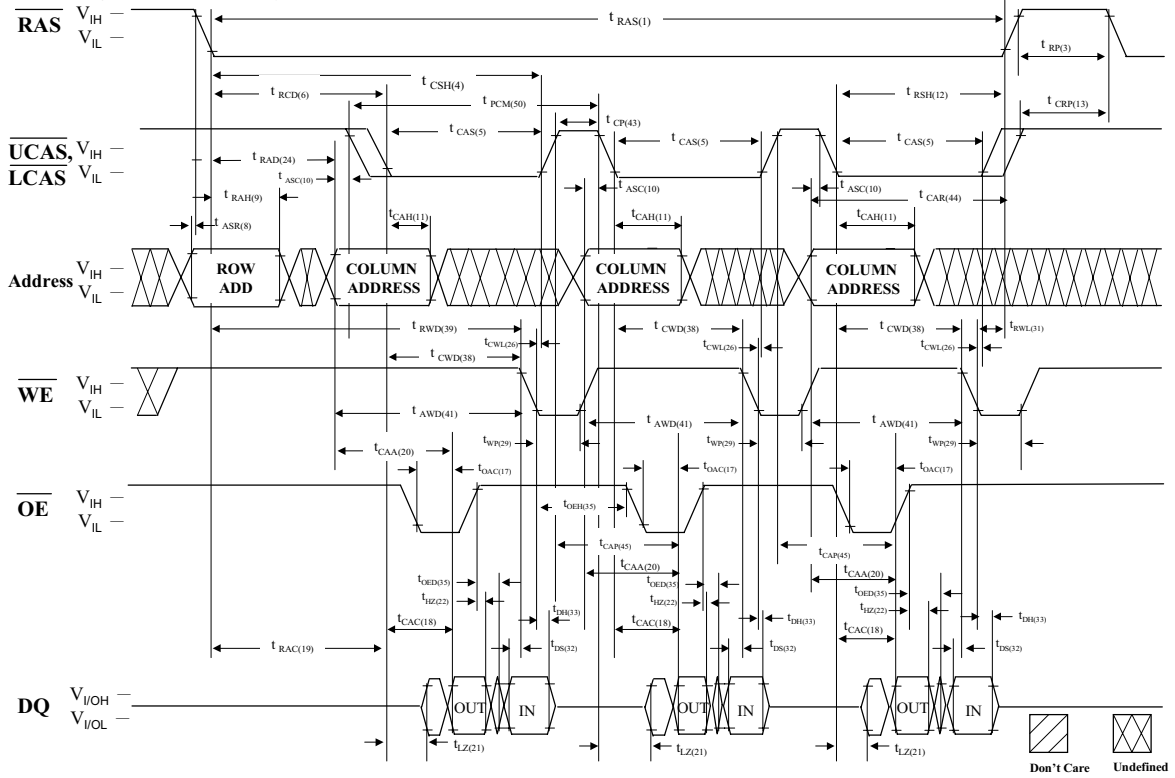
— EDO Page Mode Read Cycle





UTRON EDO Mode, X16 (2CAS) Device Timing Diagram

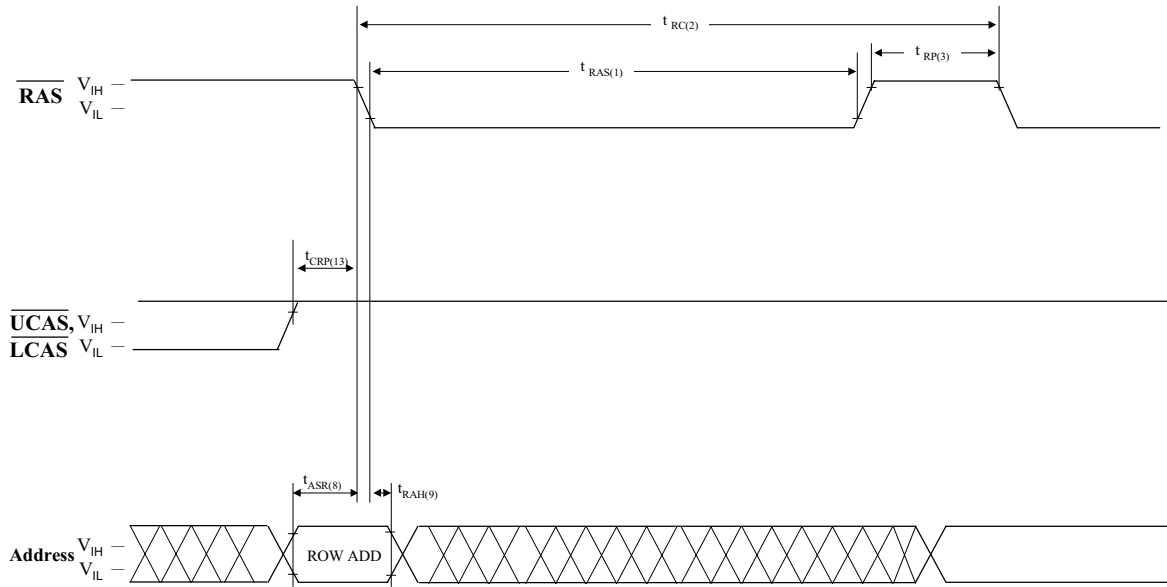
— EDO Page Mode Read-Write Cycle



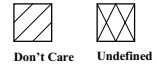


UTRON EDO Mode, X16 (2CAS) Device Timing Diagram

— Waveforms of RAS-Only Refresh Cycle



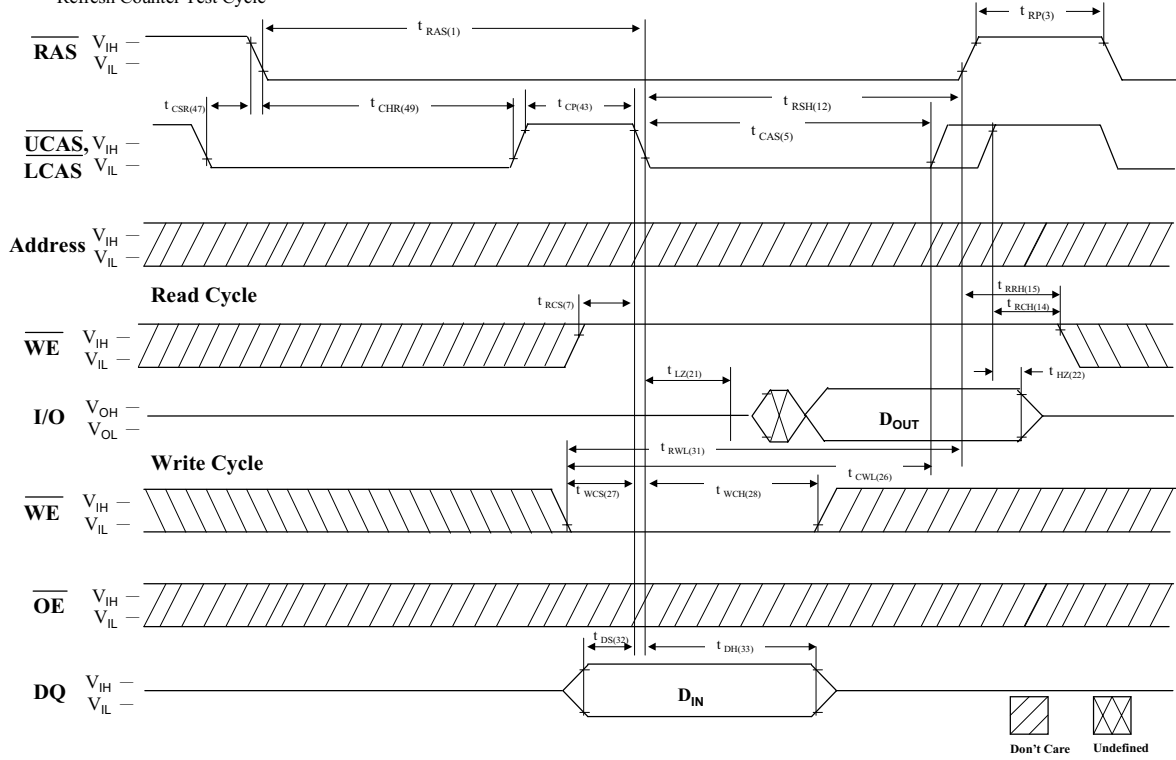
Note:  $\overline{WE}$ ,  $\overline{OE}$  = Don't care





UTRON EDO Mode, X16 (2CAS) Device Timing Diagram

— Waveforms of CAS-before-RAS Refresh Counter Test Cycle

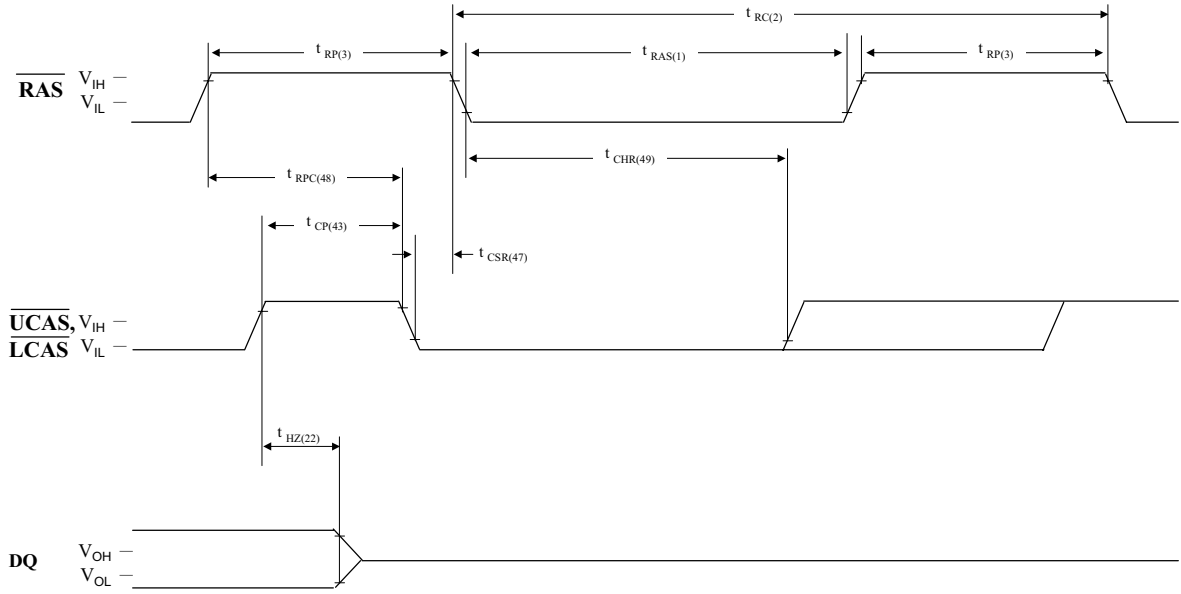




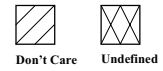


UTRON EDO Mode, X16 (2CAS) Device Timing Diagram

— Waveforms of CAS-before-RAS Refresh Cycle



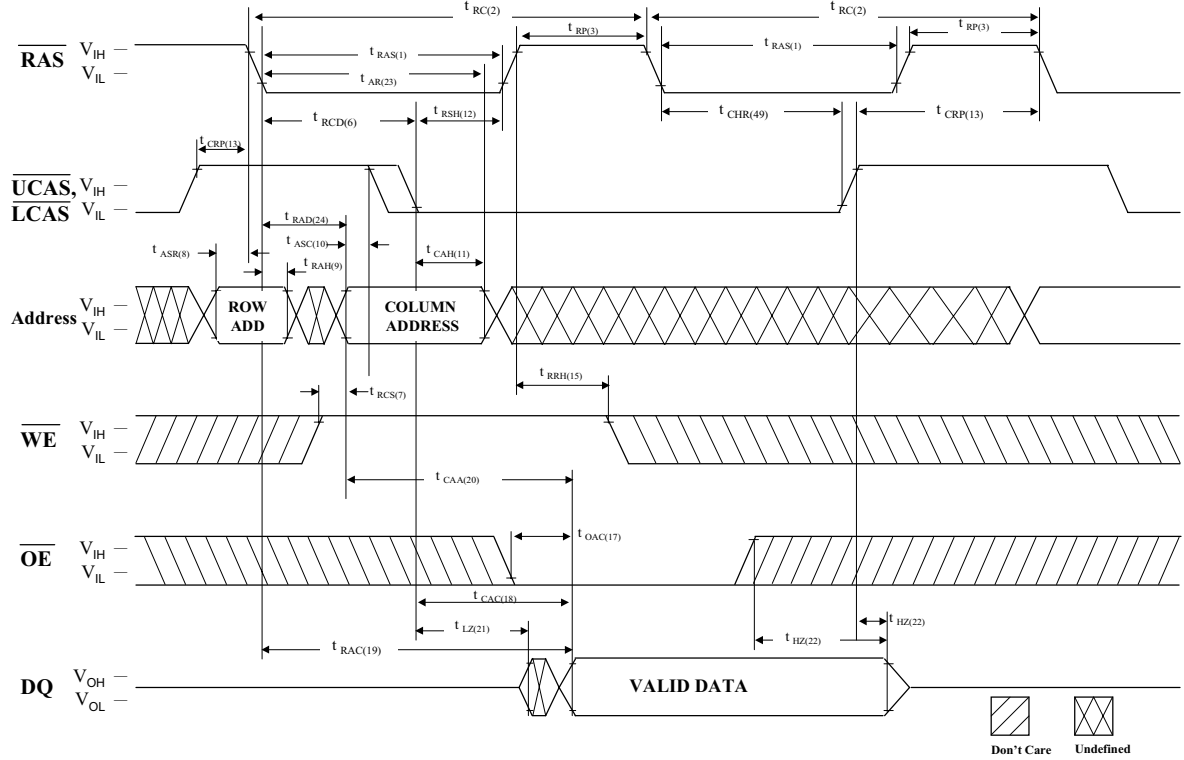
Note: WE, OE = A<sub>0</sub> - A<sub>8</sub> = Don't care





UTRON EDO Mode, X16 (2CAS) Device Timing Diagram

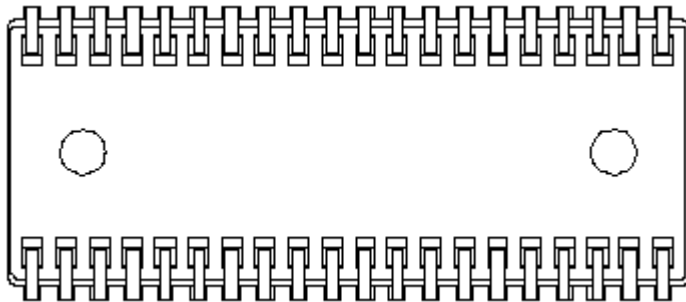
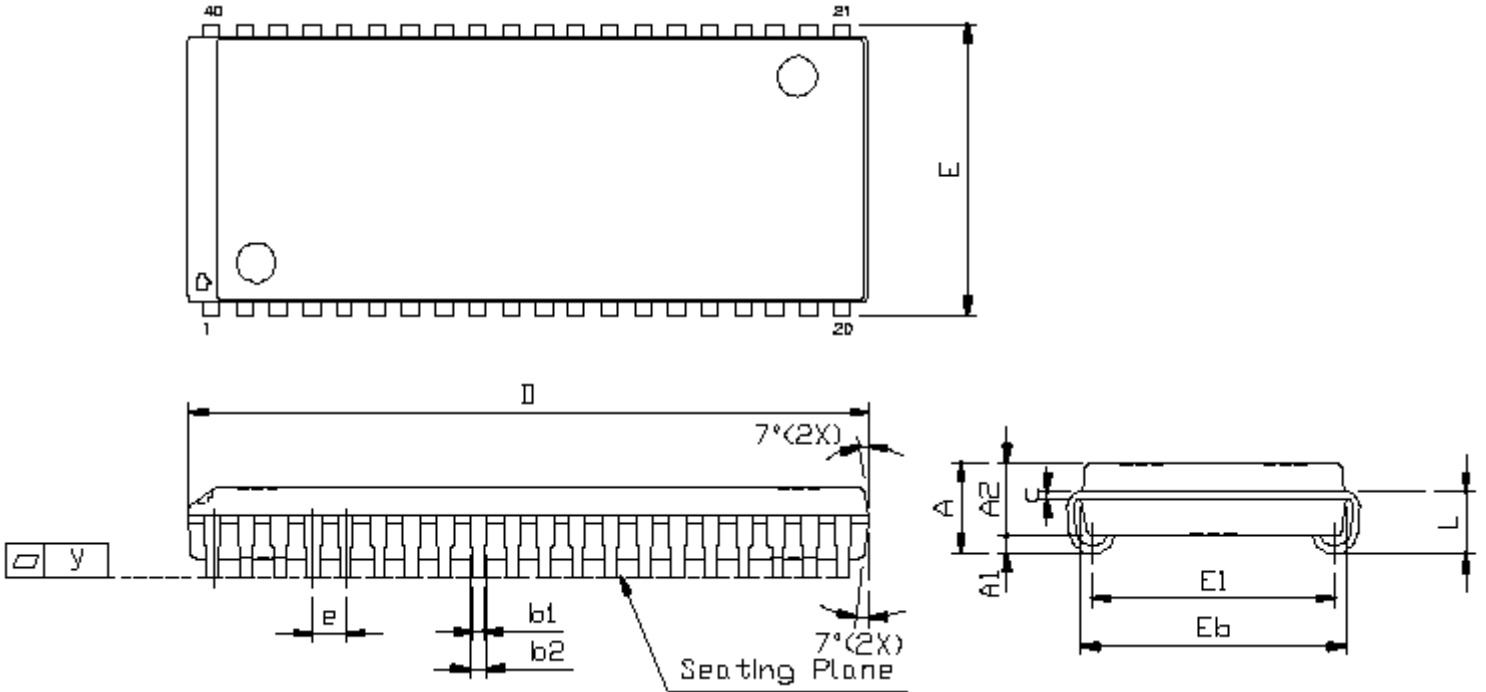
— Waveforms of Hidden Refresh Cycle (Read)





PACKAGE OUTLINE DIMENSION

40 pin 400mil SOJ PACKAGE OUTLINE DIMENSION

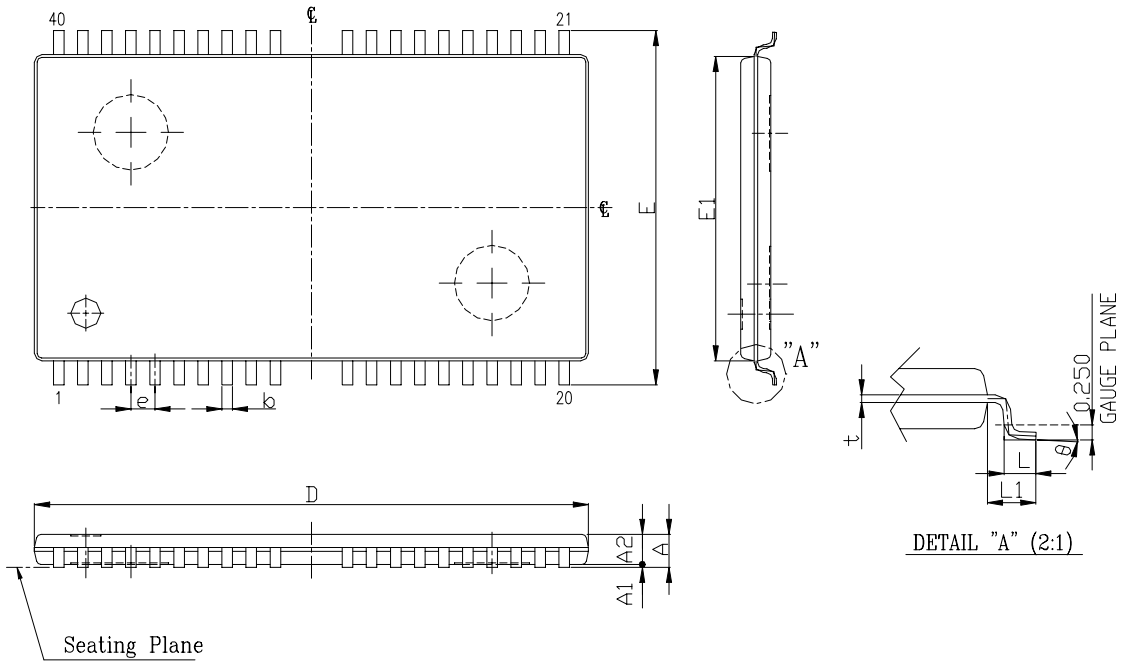


SYMBOL \ UNIT	INCH(BASE)	MM(REF)
A	0.148 (MA)	3.759 (MAX)
A1	0.024(MIN)	0.061(MIN)
A2	0.115(MAX)	2.921(MAX)
b1	0.018 (TYP)	0.457(TYP)
b2	0.025 (TYP)	0.635(TYP)
c	0.010 (TYP)	0.254 (TYP)
D	1.025± 0.004	26.238± 0.102
E	0.440± 0.010	11.176± 0.254
E1	0.38 (MAX)	9.652 (MAX)
Eb	0.400± 0.004	10.16± 0.102
e	0.050 (TYP)	1.27 (TYP)
L	0.093± 0.006	2.362± 0.152
y	0.004(MAX)	0.101 (MAX)

Material: Plastics



40 pin 400mil TSOP-II PACKAGE OUTLINE DIMENSION



UNIT SYMBOL	MM(BASE)
A	1.20(MAX)
A1	0.10± 0.05
A2	1.00± 0.05
b	0.30~0.45
t	0.13(TYP)
D	18.41± 0.10
E1	10.16± 0.10
E	11.76± 0.20
e	0.80(TYP)
L	0.50± 0.10
L1	0.80(REF)
$\theta$	0° ~8°



UTRON

UT51C161

Rev 2.0

64K WORD X 16 BIT EDO DRAM

**ORDERING INFORMATION**

<b>PART NO.</b>	<b>ACCESS TIME (ns)</b>	<b>PACKAGE</b>
UT51C161JC-35	35	40-PIN SOJ
UT51C161JC-40	40	40-PIN SOJ
UT51C161JC-50	50	40-PIN SOJ
UT51C161JC-60	60	40-PIN SOJ
UT51C161MC-35	35	40-PIN TSOP- II
UT51C161MC-40	40	40-PIN TSOP- II
UT51C161MC-50	50	40-PIN TSOP- II
UT51C161MC-60	60	40-PIN TSOP- II



UTRON

UT51C161

Rev 2.0

64K WORD X 16 BIT EDO DRAM

---

**REVISION HISTORY**

REVISION	DESCRIPTION	DATE
Preliminary Rev. 0.9	Original.	Oct 20,1999
Preliminary Rev. 1.0		
Rev. 2.0	Add TSOP- II package	Aug 3,2001