

YSS247

ASR

Analog Surround

■ OUTLINE

The YSS247 is a stereo signal processing LSI with Yamaha's original wide surround "YMERSION[™]" and tone control/loudness circuit.

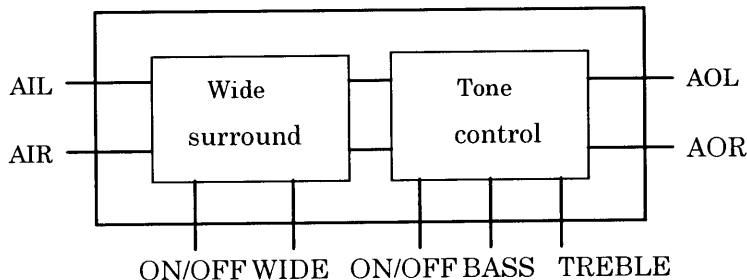
With this LSI, it is possible to emphasize diffusion feeling of the sound when reproducing the stereo sound with a compact type audio equipments such as a mini-component set and an amplifier built-in speaker. Also, since this LSI processes analog signals as they are, no micro-processor, A/D, D/A or memory is required.

■ FEATURES

- **Wide surround** Surround by amplitude phase conversion circuit
- **Tone control** BASS (100Hz ± 10dB)、TREBLE (10KHz ± 10dB) — recommended
- **Loudness** Either tone control or loudness selectable
- **Others** Wide surround ON/OFF switch
Wide surround wide control
Tone control ON/OFF switch
Tone control BASS, TREBLE control
All functions controlled by pin voltage
- **Operating voltage** Wide operating voltage range from 3.0V to 5.5V
- **Package** 20 SSOP (YSS247-E) and 24DIP (YSS247-D) packages available
- **Process** Silicon gate CMOS process

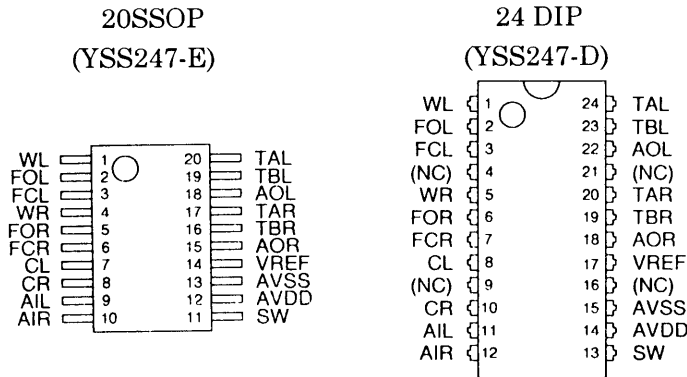
■ BLOCK DIAGRAM

Wide surround + tone control



YMERSION[™] is YAMAHA's registered trademark.

■ PIN CONFIGURATION



Two types of compact packages, 20SSOP(YSS247-E) and 24DIP(YSS247-D) are available.

■ PIN FUNCTION

Pin No.		Pin name	Function
20 SSOP	24 DIP		
1	1	WL	3D Lch Wide Input
2	2	FOL	3D Lch Filter Output
3	3	FCL	3D Lch Capacitor
4	5	WR	3D Rch Wide Input
5	6	FOR	3D Rch Filter Output
6	7	FCR	3D Rch Capacitor
7	8	CL	3D Lch Capacitor
8	10	CR	3D Rch Capacitor
9	11	AIL	Lch Input
10	12	AIR	Rch Input
11	13	SW	3D & Tone Control ON/OFF
12	14	AVDD	Power Supply
13	15	AVSS	GND
14	17	VREF	Voltage Reference
15	18	AOR	Rch Output
16	19	TBR	Rch Tone Control(B)
17	20	TAR	Rch Tone Control(A)
18	22	AOL	Lch Output
19	23	TBL	Lch Tone Control(B)
20	24	TAL	Lch Tone Control(A)

Note) Keep Nos. 4, 9, 16 and 21 pins of 24 DIP unconnected or connect them to AVSS.

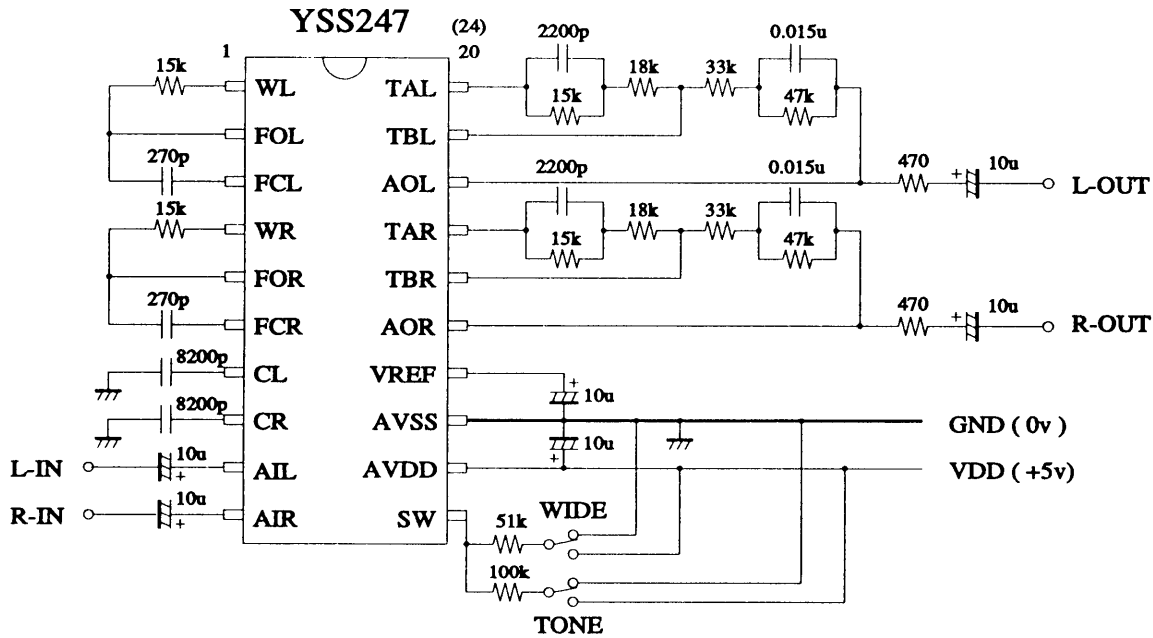
■ DESCRIPTION OF PIN FUNCTION

Pin name (Pin No. of 20 SSOP / Pin No. of 24 DIP)

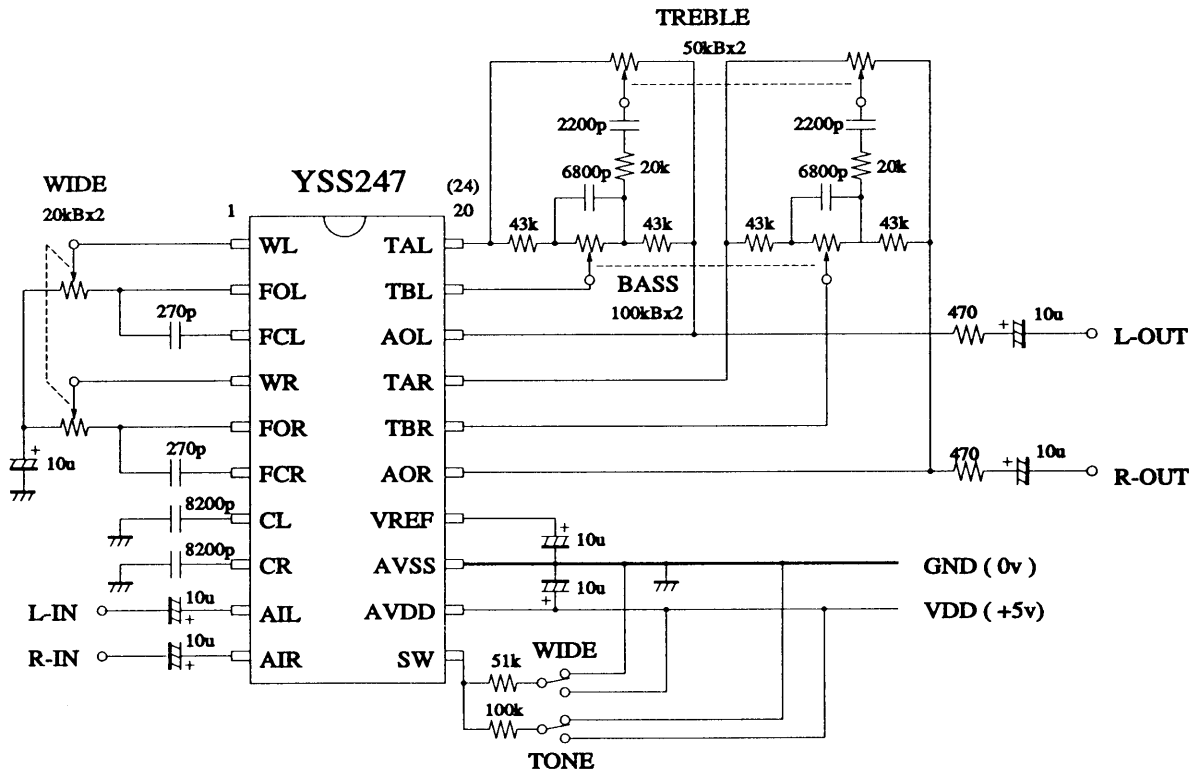
1. WL (1/1 pin) Lch Wide input terminal
WR (4/5 pin) Rch Wide input terminal
The surround effect is provided when the FOL output is inputted to WL and the FOR output to WR, both after the level adjustment.
2. FOL (2/2 pin) Lch Filter output terminal
FOR (5/6 pin) Rch Filter output terminal
Connect a capacitance between FOL and FCL and between FOR and FCR.
3. FCL (3/3 pin) Lch filter capacitance connection terminal
FCR (6/7 pin) Rch filter capacitance connection terminal
Refer to the above paragraph.
4. CL (7/8 pin) Lch filter capacitance connection terminal
CR (8/10 pin) Rch filter capacitance connection terminal
Connect a capacitance between CL and GND and between CR and GND.
5. AIL (9/11 pin) Lch analog input terminal
AIR (10/12 pin) Rch analog input terminal
To AIL, connect a capacitor and input the Lch signal.
To AIR, connect a capacitor and input the Rch signal.
6. SW (11/13 pin) Surround, tone control function on/off terminal
With 2 resistors (51k Ω , 100k Ω) connect one ends to this pin and connect the other ends to AVDD (ON) or AVSS (OFF) surround (51k Ω) and tone control (100k Ω) function ON/OFF can be controlled.
7. AVDD (12/14 pin) Power supply terminal
Apply +3.0 to +5.5V voltage to the AVSS potential.
Connect a capacitance between AVDD and AVSS.
8. AVSS (13/15 pin) GND terminal
Analog signal reference voltage pin
9. VREF (14/17 pin) Operating voltage
(AVDD-AVSS)/2 potential is generated to provide the center voltage of the internal circuit.
Connect a capacitance between this pin and AVSS.
10. AOR (15/18 pin) Rch analog output terminal
AOL (18/22 pin) Lch analog output terminal
With a capacitance connected to AOR and AOL, analog signals are output.
11. TBR (16/19 pin), TAR (17/20 pin) Rch tone control input terminals
TBL (19/23 pin), TAL (20/24 pin) Lch tone control input terminals
The Rch tone control circuit is formed by using the CR circuit among AOR, TBR and TAR.
The Lch tone control circuit is formed by using the CR circuit among AOL, TBL and TAL.
(Refer to the application circuit example.)

■ APPLICATION CIRCUIT EXAMPLE

Simple circuit example using ON/OFF switch



Circuit example with volume variable surround and tone control effects.



The YSS247 can be used by changing the constant of the external parts according to application and conditions.

■ ELECTRICAL CHARACTERISTICS

1. Absolute maximum ratings

Item	Symbol	min.	max.	Unit
Power supply voltage	AVDD	AVSS-0.5	AVSS+7.0	V
Input voltage	V _{in}	AVSS-0.5	AVDD+0.5	V
Output voltage	V _{out}	AVSS-0.3	AVDD+0.3	V
Storage temperature	T _{stg}	-50	125	°C

2. Recommended operating conditions

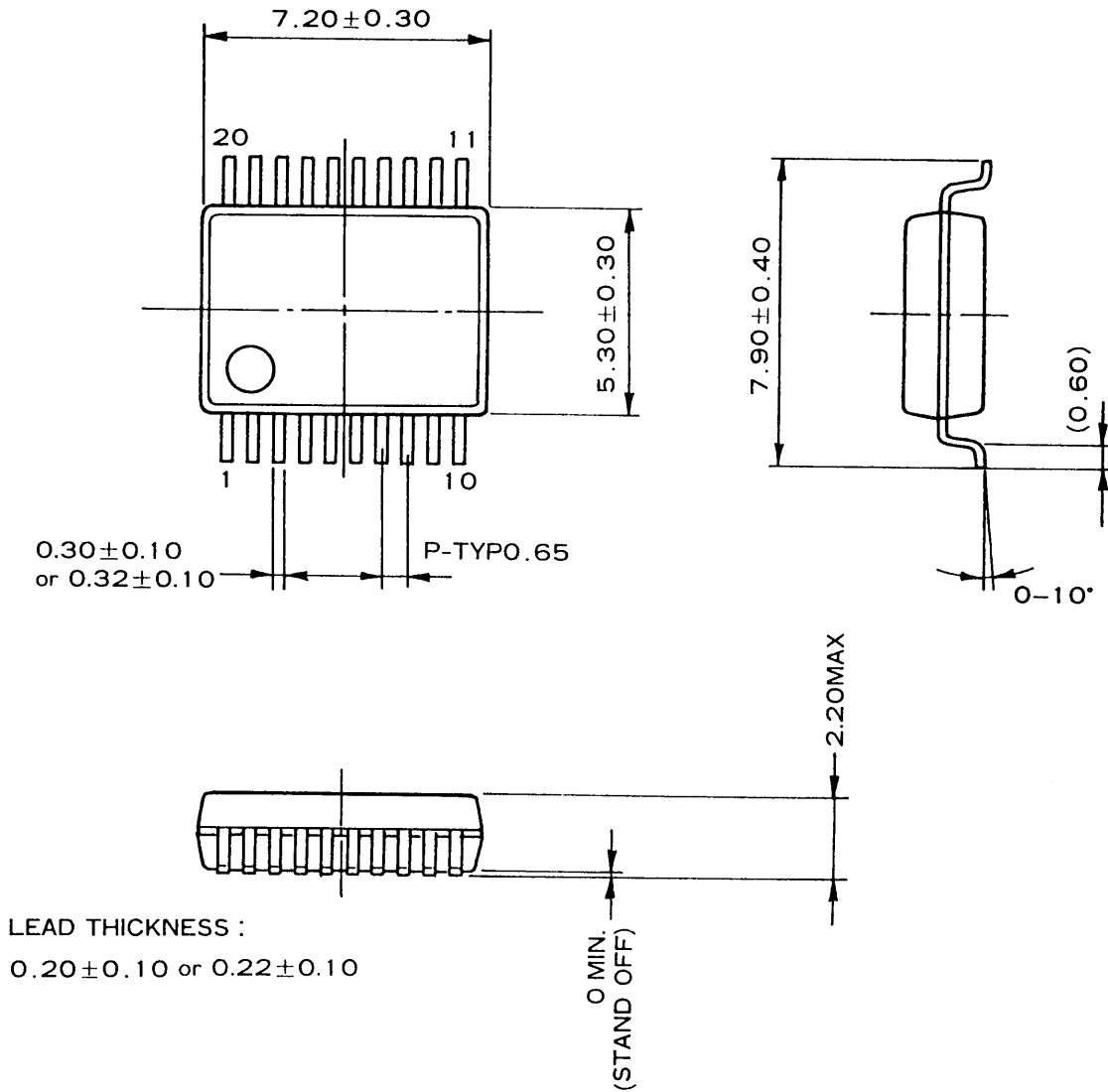
Item	Symbol	min.	typ.	max.	Unit
Power supply voltage	AVDD	3.0	5.0	5.5	V
Operating temperature	T _{op}	0	25	70	°C

3. Analog characteristics (Conditions : Ta=25°C, VDD=5.0V)

Item	Symbol	min.	typ.	max.	Unit
Power supply current	VDD=5.0V	—	10	—	mA
Analog input voltage		—	1.0	—	V _{rms}
Analog output voltage		—	1.0	—	V _{rms}
Signal noise ratio	IHF-A	—	95	—	dB
Distortion rate	1 V _{rms} input Wide, Tone off	—	0.0025	—	%
Gain deviation		—	—	0.5	dB
Frequency characteristic	10 Hz~50 kHz	-3.0	—	0.5	dB
Input impedance		—	30	—	k Ω
Input capacitance		—	—	15	pF
Center voltage		—	2.5	—	V

■ EXTERNAL DIMENSIONS

- YSS247-E (SSOP specification)



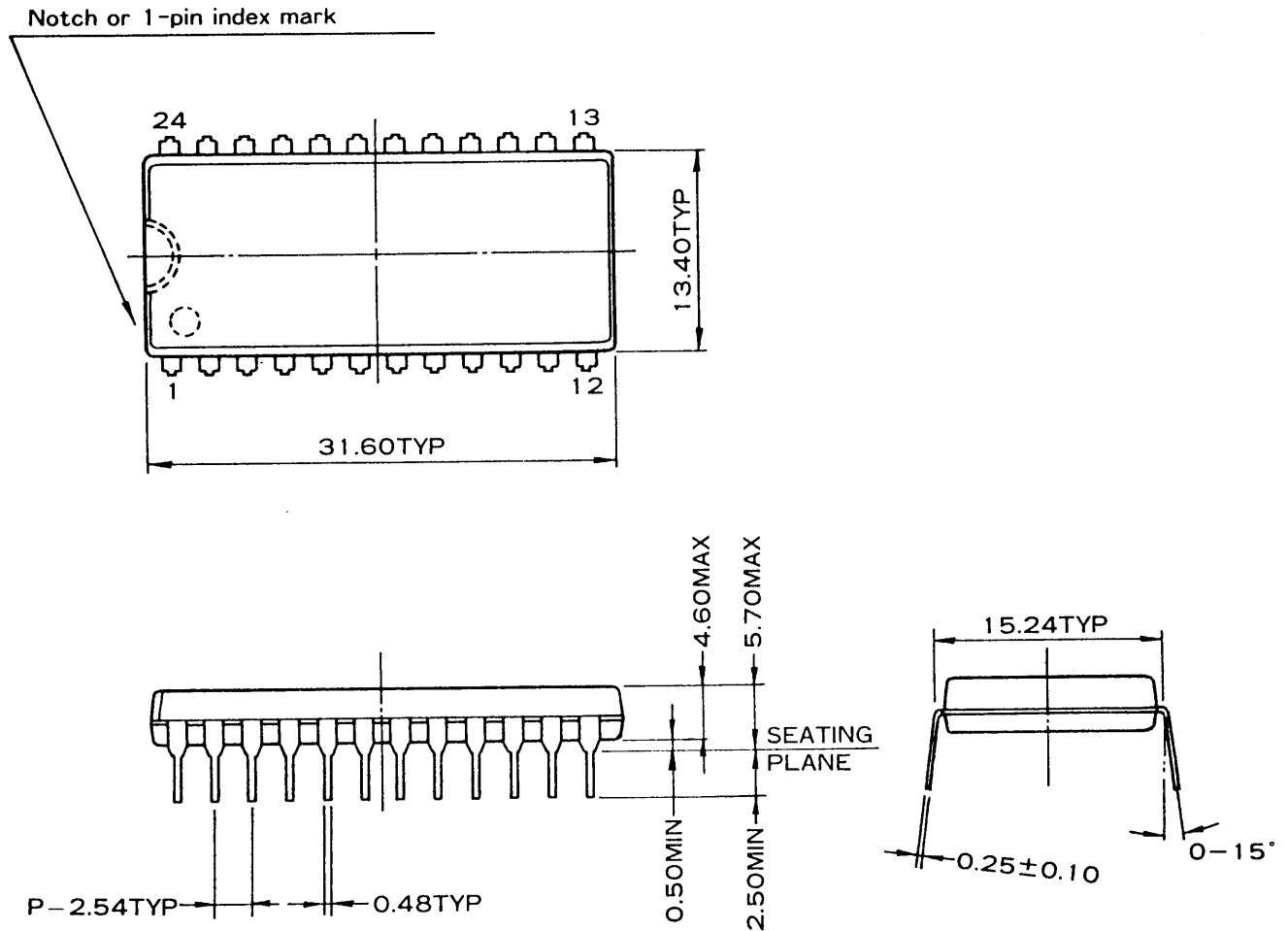
LEAD THICKNESS :
 0.20 ± 0.10 or 0.22 ± 0.10

The figure in the parenthesis () should be used as a reference.
 Plastic body dimensions do not include burr of resin.
 UNIT: mm

Note: The LSIs for surface mount need especial consideration on strage and soldering conditions. For detailed information, please contact your nearest agent of yamaha.

EXTERNAL DIMENSIONS

- YSS247-D (DIP specification)



Plastic body dimensions do not include burr of resin.
UNIT: mm

IMPORTANT NOTICE

1. Yamaha reserves the right to make changes to its Products and to this document without notice. The information contained in this document has been carefully checked and is believed to be reliable. However, Yamaha assumes no responsibilities for inaccuracies and makes no commitment to update or to keep current the information contained in this document.

2. These Yamaha Products are designed only for commercial and normal industrial applications, and are not suitable for other uses, such as medical life support equipment, nuclear facilities, critical care equipment or any other application the failure of which could lead to death, personal injury or environmental or property damage. Use of the Products in any such application is at the customer's sole risk and expense.

3. YAMAHA ASSUMES NO LIABILITY FOR INCIDENTAL, CONSEQUENTIAL OR SPECIAL DAMAGES OR INJURY THAT MAY RESULT FROM MISAPPLICATION OR IMPROPER USE OR OPERATION OF THE PRODUCTS.

4. YAMAHA MAKES NO WARRANTY OR REPRESENTATION THAT THE PRODUCTS ARE SUBJECT TO INTELLECTUAL PROPERTY LICENSE FROM YAMAHA OR ANYTHIRD PARTY, AND YAMAHA MAKES NO WARRANTY OR REPRESENTATION OF NON-INFRINGEMENT WITH RESPECT TO THE PRODUCTS. YAMAHA SPECIFICALLY EXCLUDES ANY LIABILITY TO THE CUSTOMER OR ANY THIRD PARTY ARISING FROM OR RELATED TO THE PRODUCTS' INFRINGEMENT OF ANY THIRD PARTY'S INTELLECTUAL PROPERTY RIGHTS, INCLUDING THE PATENT, COPYRIGHT, TRADEMARK OR TRADE SECRET RIGHTS OF ANY THIRD PARTY.

5. EXAMPLES OF USE DESCRIBED HEREIN ARE MERELY TO INDICATE THE CHARACTERISTICS AND PERFORMANCE OF YAMAHA PRODUCTS. YAMAHA ASSUMES NO RESPONSIBILITY FOR ANY INTELLECTUAL PROPERTY CLAIMS OR OTHER PROBLEMS THAT MAY RESULT FROM APPLICATIONS BASED ON THE EXAMPLES DESCRIBED HEREIN. YAMAHA MAKES NO WARRANTY WITH RESPECT TO THE PRODUCTS, EXPRESS OR IMPLIED, INCLUDING, BUT NOT LIMITED TO THE WARRANTIES OF MERCHANTABILITY, FITNESS FOR A PARTICULAR USE AND TITLE.

The specifications of this product are subject to improvement changes without prior notice.

_____ AGENCY _____

YAMAHA CORPORATION

**Address inquiries to:
Semiconductor Sales & Marketing Department**

- Head Office 203, Matsunokijima, Toyooka-mura,
Iwata-gun, Shizuoka-ken, 438-0192
Tel. +81-539-62-4918 Fax. +81-539-62-5054

- Tokyo Office 2-17-11, Takanawa, Minato-ku,
Tokyo, 108-8568
Tel. +81-3-5488-5431 Fax. +81-3-5488-5088

- Osaka Office Namba Tsujimoto Nissei Bldg. 4F
1-13-17, Namba Naka, Naniwa-ku,
Osaka City, Osaka, 556-0011
Tel. +81-6-6633-3690 Fax. +81-6-6633-3691

- U.S.A. Office YAMAHA Systems Technology
100 Century Center Court, San Jose,
CA 95112
Tel. +1-408-467-2300 Fax. +1-408-437-8791