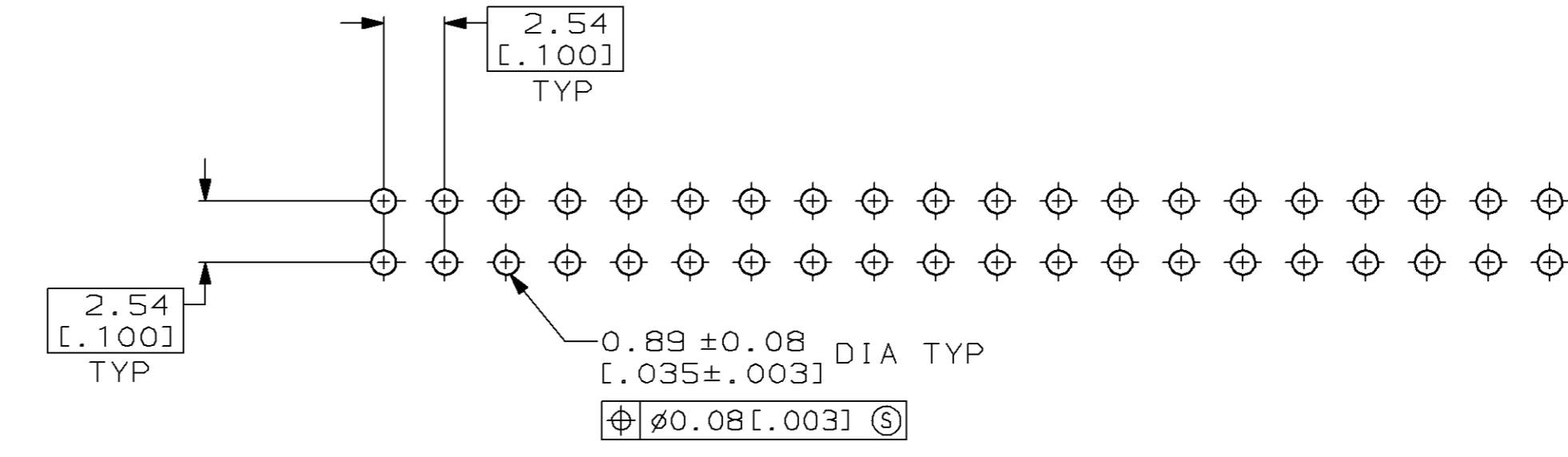
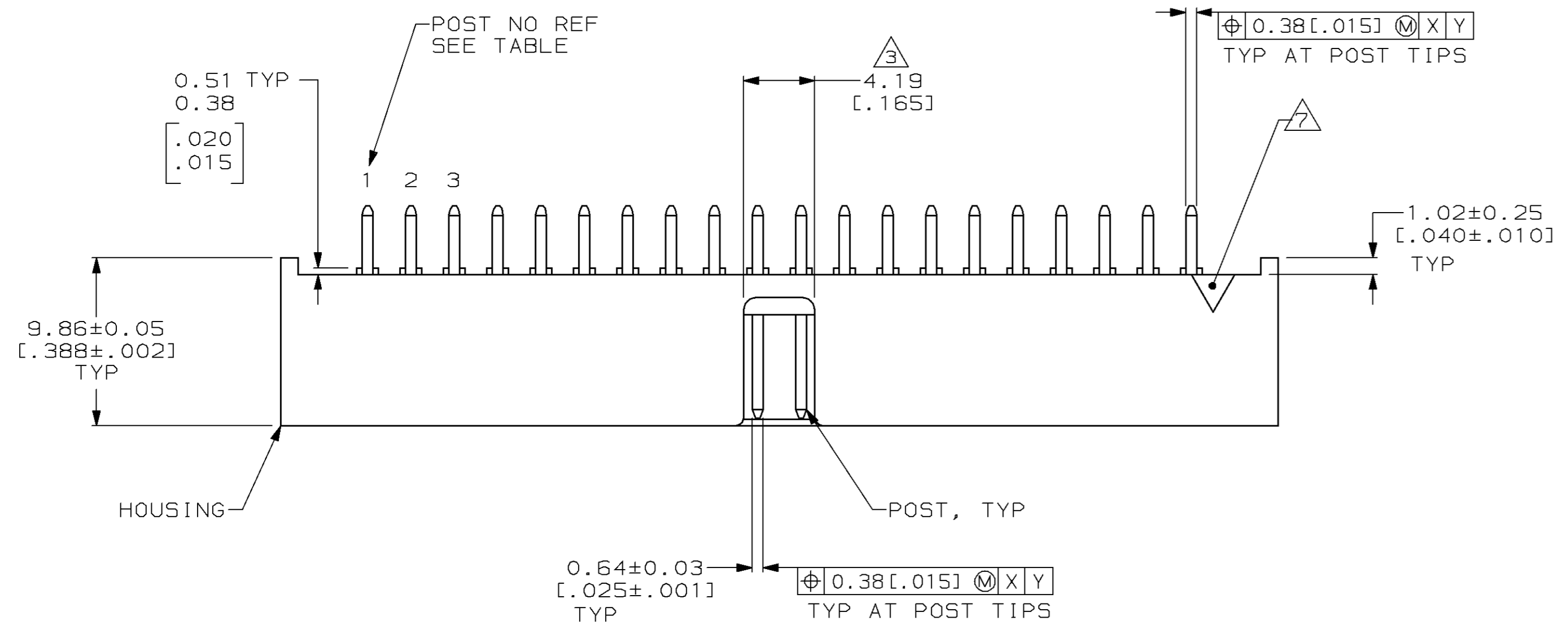
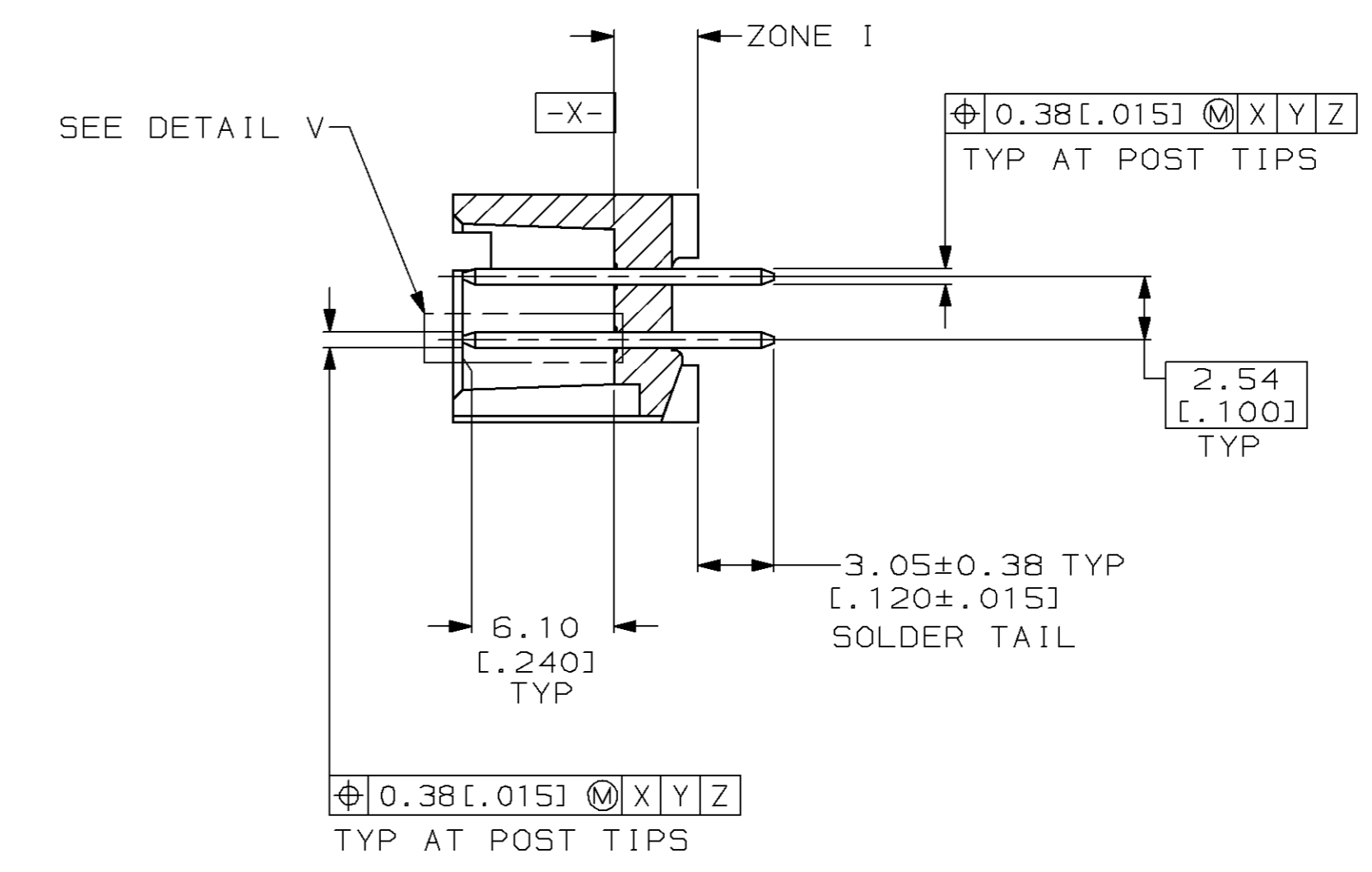
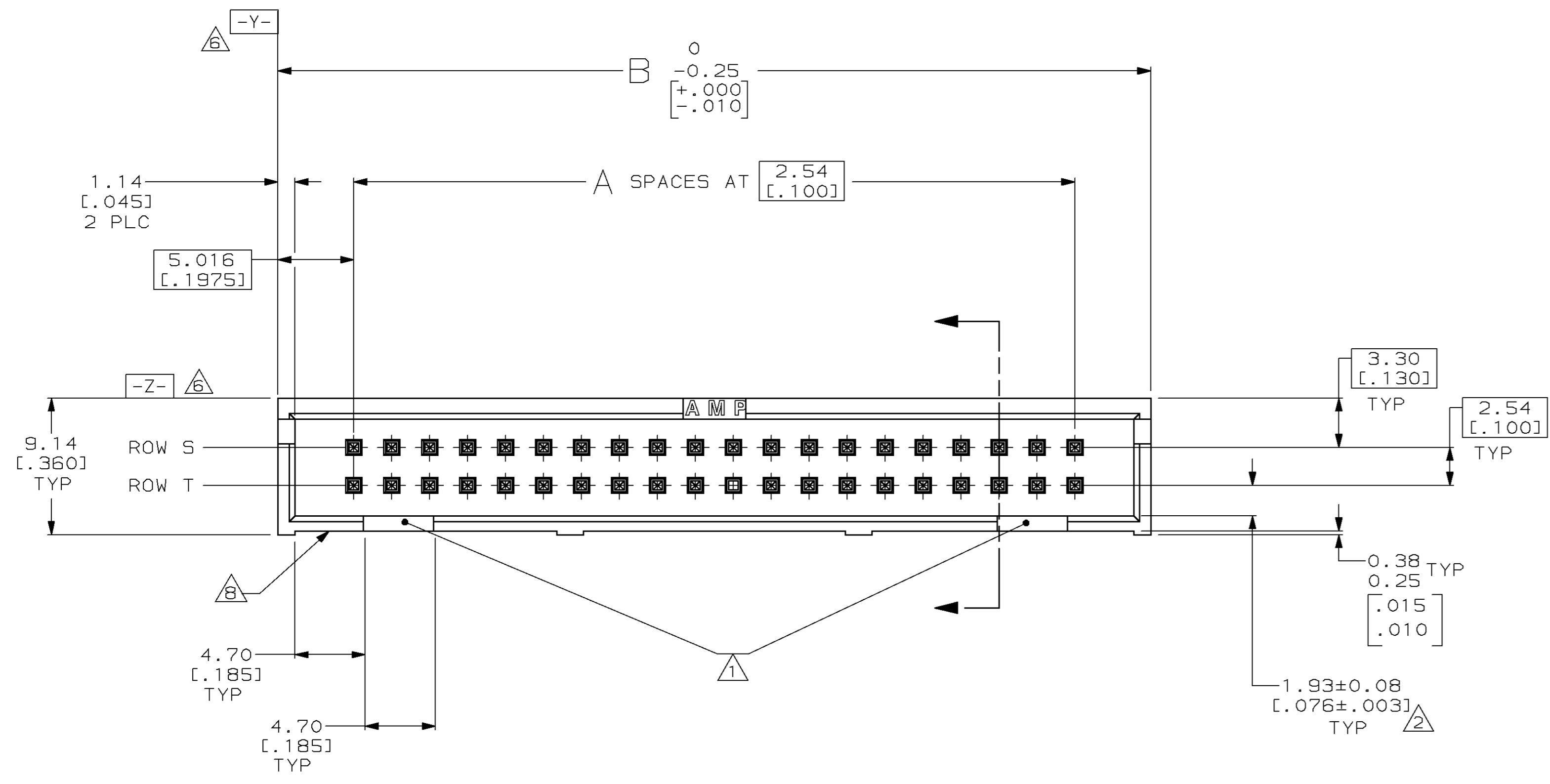


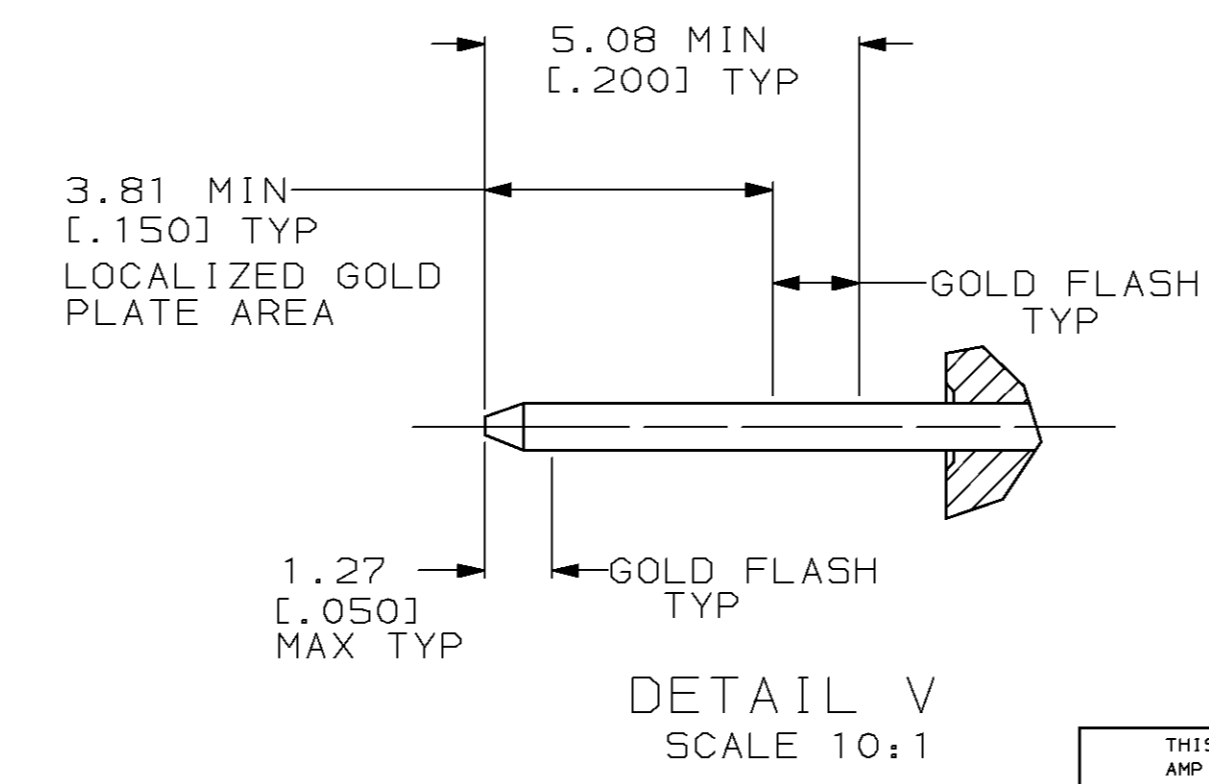
LOC		DIST		P		F		ZONE		LTR		REVISIONS		
AR	35											DESCRIPTION	DATE	APPD
												RLSE PER NPR 4683 WAS 91-5450-35-1	3-25-93	-
												ADDED -7 PER EC 0020-566-95	06/02/95	RK
												REV PER EC 0020-0771-95	27 JUL 95	RK
												REV PER EC 0020-0825-95	27 JUL 95	RK
												REV PER EC 0020-857-95	08 DEC 95	RK
												REV PER EC 0020-321-96	28 AUG 96	DM
												OBS -7 PER EC 0410-202-96	15 AUG 97	JGH
												REV PER EC 0410-56-97	06 OCT 97	JGH



RECOMMENDED HOLE LAYOUT



- 1 DOUBLE BAR POLARIZATION.
- 2 DIMENSION APPLIES AT THE INTERSECTION OF THE POST AND HOUSING.
- 3 CENTER POLARIZATION SLOT.
- 4 HOUSING: NYLON, BLACK; POSTS: PHOSPHOR BRONZE.
- 5 POSTS: 0.38µm [.000015] MIN GOLD ON LOCALIZED GOLD PLATE AREA, 2.54µm [.000100] MIN TIN-LEAD ON SOLDER TAIL, ALL OVER 1.27µm [.000050] MIN NICKEL.
- 6 DATUMS Y AND Z APPLY IN ZONE I.
- 7 NUMBER 1 POSITION INDICATOR.
- 8 OPTIONAL AMP IDENTIFICATION NUMBER (DATE CODE). LOCATION APPROXIMATELY WHERE SHOWN.



OBSOLETE

58.42 [2.300]	19	11	NONE	40	111782-8
50.80 [2.000]	16	NONE	16	34	111782-7
B	A	ROW T	ROW S	NO OF POSN	PART NUMBER
POST OMITTED					

DO NOT SCALE PRINT. UNLESS SPECIFIED DIMENSIONS IN mm [INCHES]		DR 3-25-93 C. OBERMAN		AMP Incorporated Harrisburg, PA 17105-3608	
TOLERANCES ON:		CHK 3-29-93 R. STONE		NAME	
2 PLC DEC ±0.13 [.005]		APPD 3-30-93 R. KILE		HEADER ASSY, LOW PROFILE, AMP-LATCH™	
3 PLC DEC ± -		APPD 3-30-93 D. HOFFMAN		PRODUCT SPEC	
ANGLES ± -		MATERIAL		108-40018	
FINISH		APPLICATION SPEC		SIZE	
4		-		D 00779	
5		-		CAGE CODE	
WEIGHT		-		00779	
SCALE		4:1		DRAWING NO	
				C=111782	
				SHEET	
				1 OF 1	

THIS DRAWING IS A CONTROLLED DOCUMENT FOR AMP INCORPORATED. IT IS SUBJECT TO CHANGE AND THE CONTROLLING ENGINEERING ORGANIZATION SHOULD BE CONTACTED FOR THE LATEST REVISION.