

# SCHOTTKY BARRIER DUAL DIODE

**DESCRIPTION:**

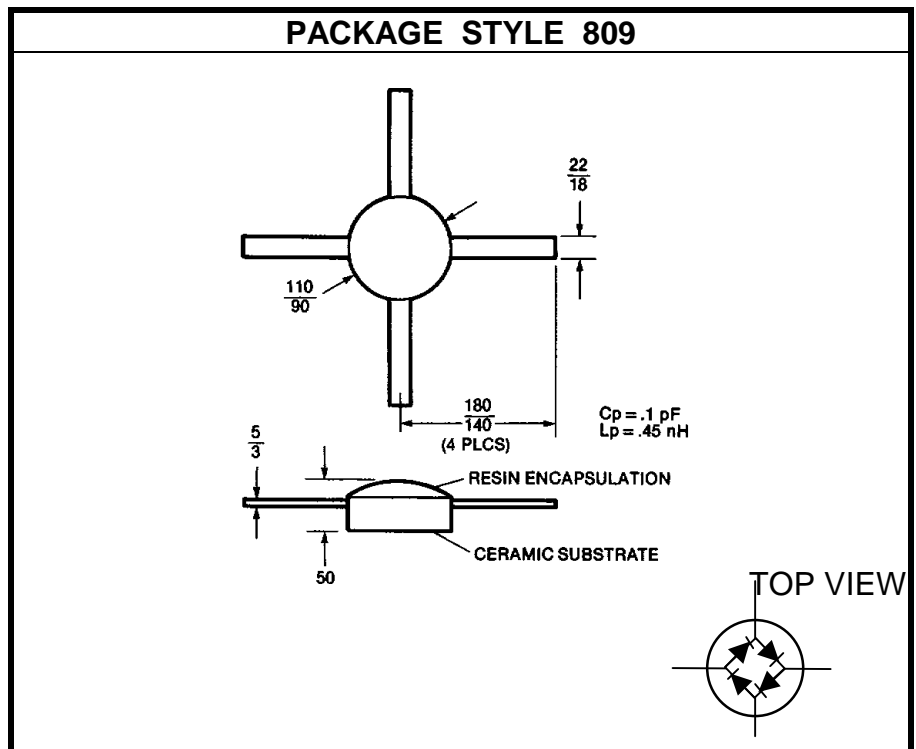
The **ASI 5082-2830** is a medium Barrier Schottky Dual Diode Designed for Single Balanced Mixer, Phase Detector and Modulator Applications up to 2.0 GHz.

**FEATURES INCLUDE:**

- Medium Barrier
- Excellent Matching
- Rugged design

**MAXIMUM RATINGS**

<b>I<sub>F</sub></b>	100 mA
<b>P<sub>DISS</sub></b>	75 mW @ T <sub>C</sub> = 25 °C per Junction
<b>T<sub>J</sub></b>	-65 °C to +175 °C
<b>T<sub>STG</sub></b>	-65 °C to +175 °C
<b>T<sub>SOLDER</sub></b>	+220 °C for 10 seconds


**CHARACTERISTICS** T<sub>C</sub> = 25 °C

SYMBOL	TEST CONDITIONS		MINIMUM	TYPICAL	MAXIMUM	UNITS
V <sub>F</sub>	I <sub>F</sub> = 1 mA				400	mV
ΔV <sub>F</sub>	I <sub>R</sub> = 5.0 mA		2		20	mV
C <sub>T</sub>	V <sub>R</sub> = 0 V	Diagonal Adjacent		0.50 0.67		pF
ΔC <sub>T</sub>	V <sub>R</sub> = 0				0.20	pF
R <sub>D</sub>	I <sub>F</sub> = 5.0 mA				12	Ω