


**LC868016/12/08A**
**8-Bit Single Chip Microcontroller with  
16/12/08K-Byte ROM and 640-Byte RAM On Chip**
**Preliminary**
**Overview**

The LC868016A/12A/08A microcontrollers are 8-bit single chip microcontrollers with the following on-chip functional blocks :

- CPU : Operable at a minimum bus cycle time of 0.5 $\mu$ s (microseconds)
- On-chip ROM maximum capacity : 16K bytes
- On-chip RAM capacity : 640 bytes
- Dot-matrix liquid crystal display (LCD) automatic display controller / driver
- External memory
- 16-bit timer / counter (or two 8-bit timers)
- 16-bit timer / PWM (or two 8-bit timers)
- Two 8-bit synchronous serial-interface circuits
- 13-source 9-vectored interrupt system

All of the above functions are fabricated on a single chip.

■ Any and all SANYO products described or contained herein do not have specifications that can handle applications that require extremely high levels of reliability, such as life-support systems, aircraft's control systems, or other applications whose failure can be reasonably expected to result in serious physical and/or material damage. Consult with your SANYO representative nearest you before using any SANYO products described or contained herein in such applications.

■ SANYO assumes no responsibility for equipment failures that result from using products at values that exceed, even momentarily, rated values (such as maximum ratings, operating condition ranges, or other parameters) listed in products specifications of any and all SANYO products described or contained herein.

**SANYO Electric Co.,Ltd. Semiconductor Company**

TOKYO OFFICE Tokyo Bldg., 1-10, 1 Chome, Ueno, Taito-ku, TOKYO, 110-8534 JAPAN

**Features**

(1) Read Only Memory (ROM) : LC868016A 16384 × 8 bits  
 : LC868012A 12288 × 8 bits  
 : LC868008A 8192 × 8 bits

(2) Random Access Memory (RAM) : 512 × 8 bits (calculation area)  
 128 × 8 bits (display area)

(3) Bus Cycle Time / Instruction Cycle Time

Bus cycle time	Instruction cycle time	System clock oscillation	Oscillation frequency	Voltage	Note
0.5μs	1μs	Ceramic (CF)	12MHz	4.5-6.0V	OCR7=0
			6MHz		OCR7=1
2.0μs	4μs	Ceramic (CF)	3MHz	2.5-6.0V	OCR7=0
			1.5MHz		OCR7=1
7.5μs	15μs	Internal RC	800kHz	2.5-6.0V	OCR7=0
3.8μs	7.5μs				OCR7=1
183μs	366μs	Crystal (XTAL)	32.768kHz	2.5-6.0V	OCR7=0
91.5	183μs				OCR7=1

\* Bus cycle time means ROM-read period.  
 OCR7 : Bit-7 of the oscillation control register.

(4) Ports

- Input / output ports : 6 ports (47 terminals)  
 Input/output port programmable in a nibble : 1 port (8 terminals)  
 Input/output port programmable every function unit : 1 port (7 terminals)  
 Input/output port programmable in a bit : 4 ports (32 terminals)
- Input port : 1 port (4 terminals)
- Ports at external memory mode
  1. External Latch
    - Port 0 : Address output of lower 8-bit, input/output of data
    - Port 2 : Address output of upper 8-bit
    - Port 5 : Bank address output
  2. No External Latch
    - Port 0 : Input/output of data
    - Port 3 : Address output of lower 8-bit
    - Port 2 : Address output of upper 8-bit
    - Port 5 : Bank address output
 (Set whether the external latch is used or not by program.)
- LCD segment driver output ports : 48 terminals  
 (Function change available : segment/common)
- LCD common driver output ports : 16 terminals  
 (1/64 duty maximum : at using segment output ports as common output by mask option)

(5) External memory access

- External program memory access function  
 External program memory capacity : 64K bytes  
 Programmable switch internal program/external program  
 (At initial Internal program)  
 Enable/disable control of external program --> internal program memory switch

## Ports

Port 2 : Address output of upper 8-bit

Uses  $\overline{\text{EROE}}$  terminal ( $\overline{\text{OE}}$  signal of the external ROM)

## 1. Using the external latch

Port 0 : Address output of lower 8-bit, data input port

Uses the ADLC terminal (latch clock of the lower 8-bit address signal)

## 2. Not use the external latch

Port 0 : Input port of data

Port 3 : Address output of lower 8-bit

## - External data memory access function

Using the LDC instruction

External memory capacity : 16M bytes

## 1. Internal program memory

Switch the reference of internal ROM data/external ROM data by program.

## 2. External program memory

Reference external ROM data only.

## Ports

Port 2 : Address output of upper 8-bit

Port 5 : Bank address output

Uses  $\overline{\text{EROE}}$  terminal ( $\overline{\text{OE}}$  signal of the external ROM)

## 1. Using external latch

Port 0 : Address output of lower 8-bit, input port of data

Uses the ADLC terminal (latch clock of the lower 8-bit address signal)

## 2. Not use external latch

Port 0 : Input port of data

Port 3 : Address output of lower 8-bit

## - External RAM memory access function

Using the LDX, STX instruction

External memory capacity : 16M bytes

## Ports

Port 2 : Address output of upper 8-bit

Port 5 : Bank address output

Uses the P46 terminal ( $\overline{\text{OE}}$  signal of external RAM) : the LDX instruction execution

Uses the P47 terminal ( $\overline{\text{WE}}$  signal of external RAM) : the STX instruction execution

## 1. Using the external latch circuit

Port 0 : Address output of lower 8-bit, input/output port of data

Uses the ADLC terminal (latch clock of the lower 8-bit address signal)

## 2. Not use the external latch circuit

Port 0 : Input/output port of data

Port 3 : Address output of lower 8-bit

## (6) LCD automatic display controller

- Display duty : 1/1 - 1/64 duty
- Display bias : 1/4, 1/5, 1/7, 1/9 bias
- Programmable character display / graphic display
- Character display

## 1. On-chip character generator ROM

ROM capacity : 8960 bits

Character font : 5 × 7 dots

Number of Characters : 256

## 2. LCD instruction

Display : ON/OFF

Cursor : ON/OFF/BLINK

Character blink : ON/OFF

Character scroll : Control by specified starting address

- Graphic display
  - LC868000 series : 1024 dots Maximum
  - External segment driver : Enable to extend of LCD drive
- LCD contrast
  - LCD display contrast programmable
- LCD display power supply
  - Doubler/Tripler circuit programmable
  - Doubler voltage in the tripler mode must not be used for LCD display power supply
  - If doubler voltage is used for LCD display power supply, the doubler mode must be selected by user program.

- LCD driver

Following three kinds of combination can be selected by mask option

No.	Segment output port	Common output port
1	48	16
2	32	32
3	0	64

## (7) Serial-interface

- Two 8-bit serial-interface circuits
  - LSB first / MSB first function available
- Internal 8-bit baud-rate generator in common with two serial-interface circuits

## (8) Timers

- Timer0 (T0L, T0H)
  - 16-bit timer / counter
  - 2-bit prescaler + 8-bit programmable prescaler
    - Mode 0 : Two 8-bit timers with programmable prescaler
    - Mode 1 : 8-bit timer with a programmable prescaler + 8-bit counter
    - Mode 2 : 16-bit timer with a programmable prescaler
    - Mode 3 : 16-bit counter
- Timer1 (T1L, T1H)
  - 16-bit timer / PWM
    - Mode 0 : Two 8-bit timers
    - Mode 1 : 8-bit timer + 8-bit PWM
    - Mode 2 : 16-bit timer
    - Mode 3 : Variable-bit PWM (9-16 bits)
- Base timer
  - Every 500ms overflow system for a clock application (using 32.768kHz crystal oscillation for Base timer clock)
  - The Base timer clock selectable : 32.768kHz crystal oscillation, System clock, and programmable prescaler output of Timer 0

## (9) Buzzer output

- The Buzzer sound frequency selectable ; 4KHz, 2KHz

## (10) Remote control receiver circuit (using P73/INT3/T0IN terminal)

- Noise rejection available
- The interrupt polarity selectable

## (11) Watchdog timer

- The watchdog timer is taken on RC outside. (using P70/INT0 terminal)
- Watchdog timer operation selectable : interrupt system, system reset

## (12) Interrupts system

## - 13-source 9-vectored interrupts :

1. External interrupt INT0 (includes watchdog timer)
2. External interrupt INT1
3. External interrupt INT2, timer / counter T0L (timer 0 lower 8 bits)
4. External interrupt INT3, base timer
5. Timer / counter T0H (timer 0 upper 8-bit)
6. Timer T1L (timer 1 lower 8-bit), Timer T1H (timer 1 upper 8-bit)
7. Serial interface SIO0
8. Serial interface SIO1
9. Port 0 or Port 3

## - Interrupt priority control available

Microcomputer allows 3 levels of interrupt; low level, high level, and highest level of multiplex interrupt. It can specify a low level or a high level interrupt priority from INT2/T0L through port 0 or port 3 (the above interrupt number from three through nine). It can also specify a low level or the highest level interrupt priority to INT0 and INT1.

## (13) Sub-routine stack levels

- 128 levels (Max.) : stack area included in RAM area

## (14) Multiplication and division

- 16 bits  $\times$  8-bit (7 instruction cycle times)
- 16 bits / 8-bit (7 instruction cycle times)

## (15) Three oscillation circuits

- On-chip RC oscillation circuit using for the system clock, for the LCD display and for the step-up circuit.
- On-chip CF oscillation circuit using for the system clock and for the LCD display.
- On-chip crystal oscillation circuit using for the system clock, for time-base clock and for the LCD display.

## (16) Standby function

## - HALT mode function

The HALT mode is used to reduce the power dissipation. In this operation mode, the program execution is stopped. This operation mode can be released by the interrupt request signals or setting to low level for the reset terminal ( $\overline{\text{RES}}$ ).

## - HOLD mode function

The HOLD mode is used to freeze all the oscillations, RC (internal), CF and Crystal oscillations. This mode can be released by the following operations:

- Reset terminal ( $\overline{\text{RES}}$ ) set to low level.
- Set to assigned level to INT0/1 terminals.
- Set to assigned level to Port 0/3.

## (17) Factory shipment

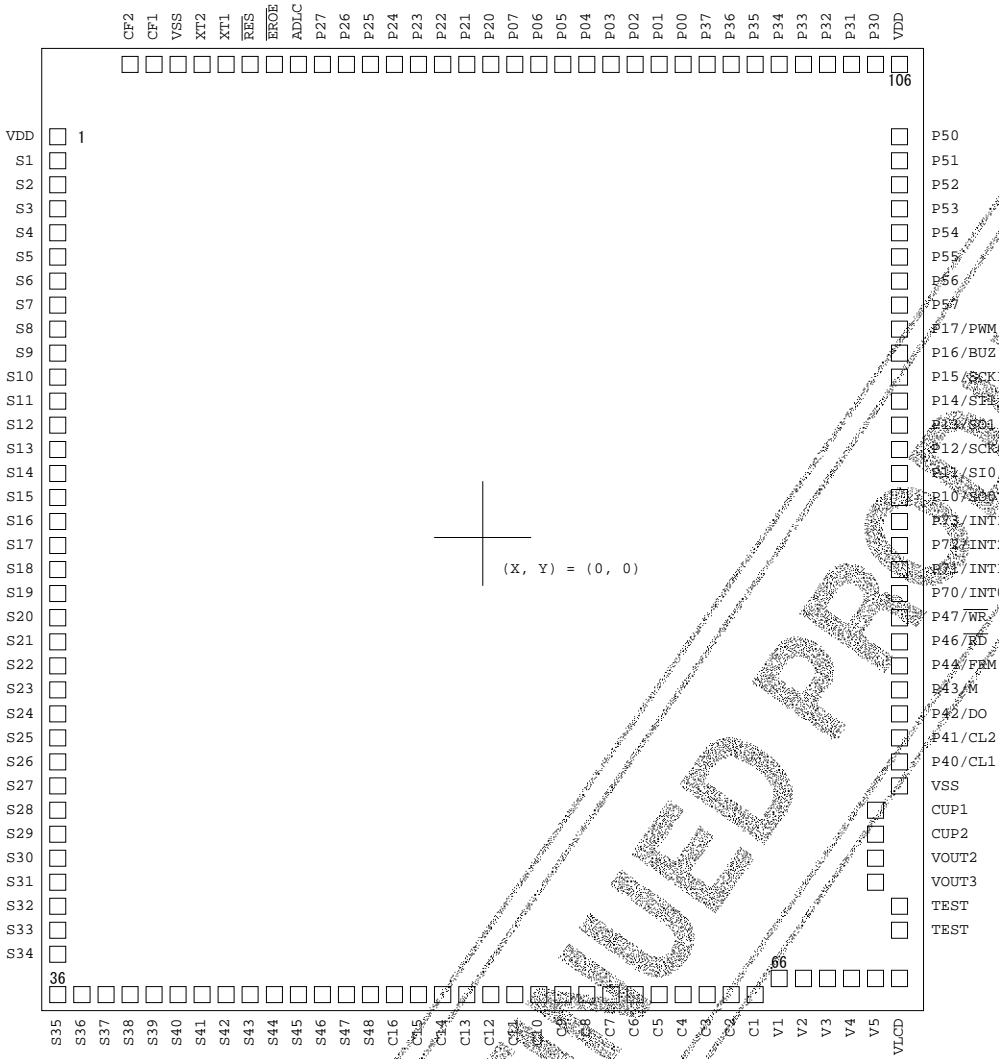
## - Chip

QIC160 package shipping available for sample evaluation.

## (18) Development support tools

- Evaluation (EVA) chip : LC868099
- Emulator : EVA86000 + ECB868000 (Evaluation chip board)

Pin Assignment



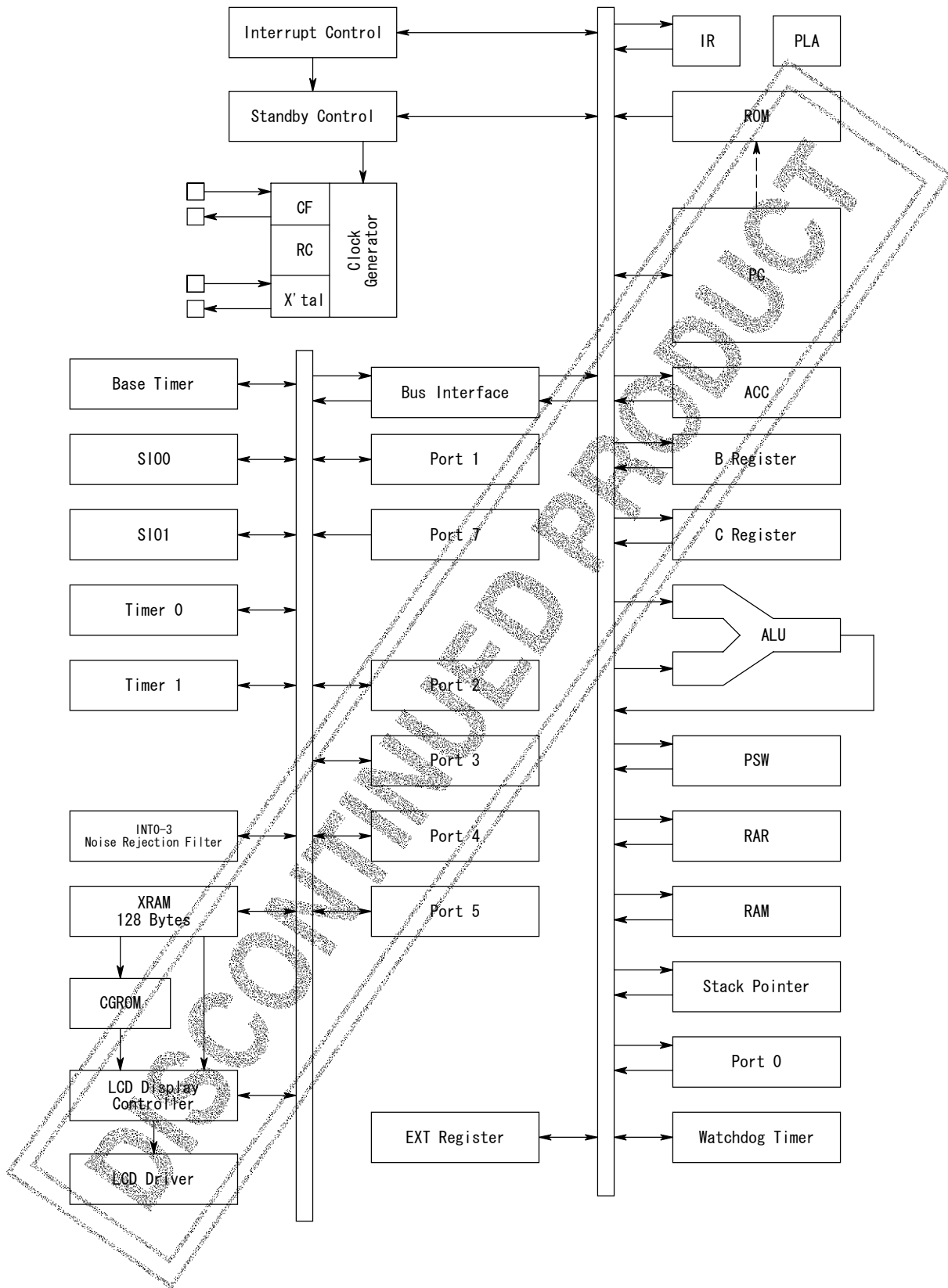
DISCONTINUED PRODUCT

## Pad Name and coordinates table

Pad No.	Name	Coordinates		Pad No.	Name	Coordinates		Pad No.	Name	Coordinates	
		X $\mu$ m	Y $\mu$ m			X $\mu$ m	Y $\mu$ m			X $\mu$ m	Y $\mu$ m
1	VDD	-2960	2695	47	S46	-1075	-3630	93	P13	2845	500
2	S1	-2960	2505	48	S47	-915	-3630	94	P14	2845	675
3	S2	-2960	2345	49	S48	-750	-3630	95	P15	2845	855
4	S3	-2960	2180	50	C16	-590	-3630	96	P16	2845	1035
5	S4	-2960	2020	51	C15	-425	-3630	97	P17	2845	1215
6	S5	-2960	1855	52	C14	-265	-3630	98	P57	2845	1400
7	S6	-2960	1695	53	C13	-100	-3630	99	P56	2845	1580
8	S7	-2960	1530	54	C12	60	-3630	100	P55	2845	1760
9	S8	-2960	1370	55	C11	225	-3630	101	P54	2845	1935
10	S9	-2960	1205	56	C10	385	-3630	102	P53	2845	2115
11	S10	-2960	1045	57	C9	550	-3630	103	P52	2845	2295
12	S11	-2960	880	58	C8	710	-3630	104	P51	2845	2475
13	S12	-2960	720	59	C7	875	-3630	105	P50	2845	2650
14	S13	-2960	555	60	C6	1035	-3630	106	VDD	2965	3530
15	S14	-2960	395	61	C5	1200	-3630	107	P30	2800	3530
16	S15	-2960	230	62	C4	1360	-3630	108	P31	2620	3530
17	S16	-2960	70	63	C3	1525	-3630	109	P32	2445	3530
18	S17	-2960	-95	64	C2	1685	-3630	110	P33	2265	3530
19	S18	-2960	-255	65	C1	1850	-3630	111	P34	2085	3530
20	S19	-2960	-420	66	V1	2055	-3445	112	P35	1905	3530
21	S20	-2960	-580	67	V2	2220	-3445	113	P36	1730	3530
22	S21	-2960	-745	68	V3	2380	-3445	114	P37	1550	3530
23	S22	-2960	-905	69	V4	2545	-3445	115	P00	1370	3530
24	S23	-2960	-1070	70	V5	2705	-3445	116	P01	1190	3530
25	S24	-2960	-1230	71	VLCD	2870	-3445	117	P02	1015	3530
26	S25	-2960	-1395	72	TEST	2915	-3180	118	P03	835	3530
27	S26	-2960	-1555	73	TEST	2915	-2995	119	P04	655	3530
28	S27	-2960	-1720	74	VOUT3	2820	-2810	120	P05	475	3530
29	S28	-2960	-1880	75	VOUT2	2820	-2650	121	P06	300	3530
30	S29	-2960	-2045	76	CUP2	2820	-2485	122	P07	120	3530
31	S30	-2960	-2205	77	CUP1	2820	-2325	123	P20	-60	3530
32	S31	-2960	-2370	78	VSS	2845	-2120	124	P21	-240	3530
33	S32	-2960	-2530	79	P40	2845	-1945	125	P22	-415	3530
34	S33	-2960	-2695	80	P41	2845	-1765	126	P23	-595	3530
35	S34	-2960	-2855	81	P42	2845	-1585	127	P24	-775	3530
36	S35	-2865	-3630	82	P43	2845	-1410	128	P25	-955	3530
37	S36	-2700	-3630	83	P44	2845	-1230	129	P26	-1130	3530
38	S37	-2540	-3630	84	P46	2845	-1050	130	P27	-1310	3530
39	S38	-2375	-3630	85	P47	2845	-870	131	ADLC	-1490	3530
40	S39	-2215	-3630	86	P70	2845	-690	132	EROE	-1670	3530
41	S40	-2050	-3630	87	P71	2845	-525	133	RES	-1845	3530
42	S41	-1890	-3630	88	P72	2845	-365	134	XT1	-2025	3530
43	S42	-1725	-3630	89	P73	2845	-200	135	XT2	-2205	3530
44	S43	-1565	-3630	90	P10	2845	-40	136	VSS	-2385	3530
45	S44	-1400	-3630	91	P11	2845	140	137	CF1	-2560	3530
46	S45	-1240	-3630	92	P12	2845	320	138	CF2	-2740	3530

Note ; Connect the substrate of chip to VDD (or open).

System Block Diagram



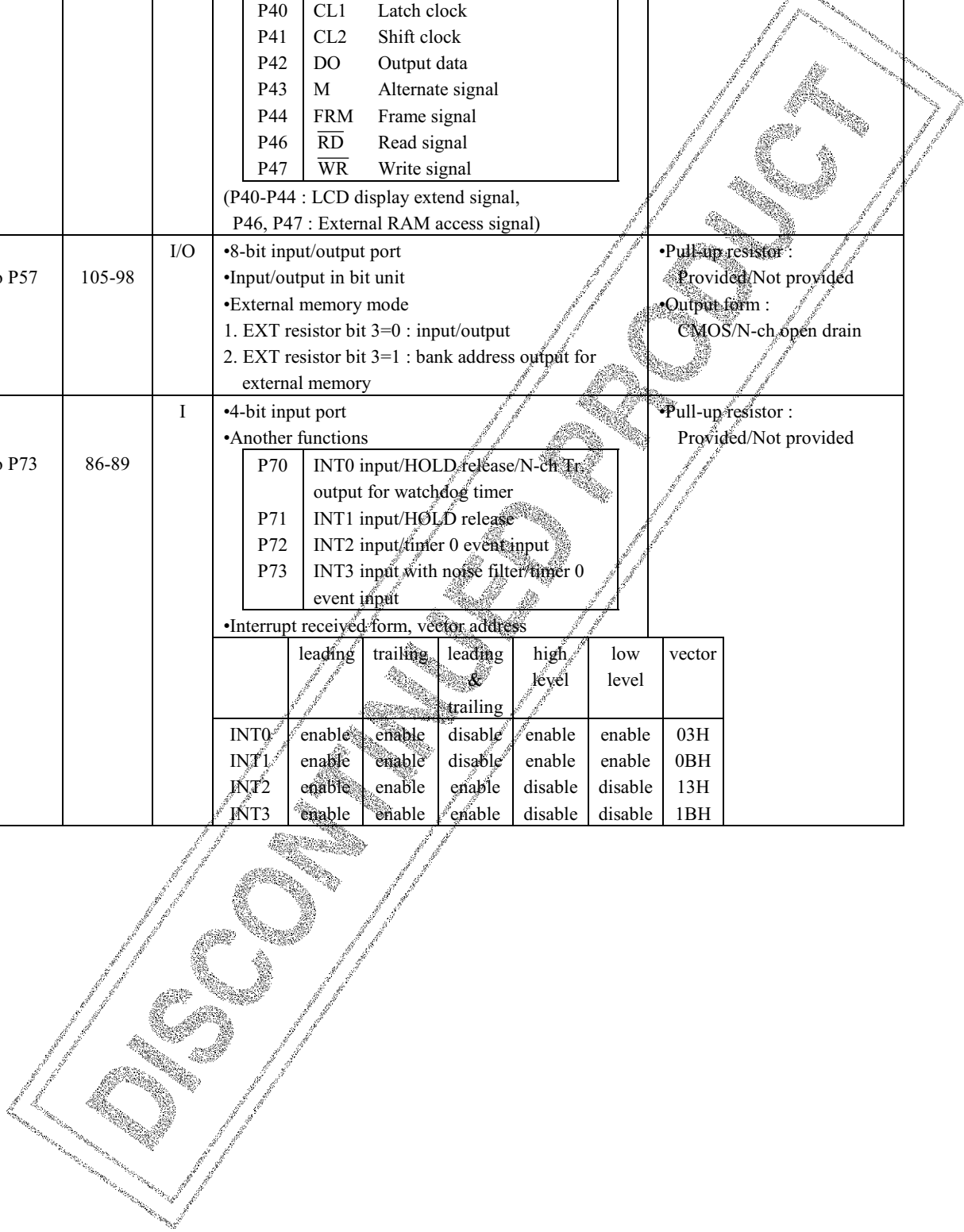


## Pin Description

Name	No.	I/O	Function description	Option																
VSS	78,136	-	Power terminal (-)	-																
VDD	1,106	-	Power terminal (+)	-																
VLCD	71	-	Power terminal (-) for LCD driver	-																
V1 to 5	66-70	-	Voltage supply terminals to LCD drivers	-																
VOU2,3	75,74	-	Output terminals for doubler, tripler	-																
CUP1,2	77,76	-	Capacitor connecting terminals for doubler, tripler	-																
Port0 P00 to P07	115-122	I/O	<ul style="list-style-type: none"> <li>•8-bit input/output port</li> <li>•Input/output can be specified in 4-bit</li> <li>•External memory mode               <ol style="list-style-type: none"> <li>1. EXT resistor bit 2=0 Address output of lower 8-bit, input/output of data</li> <li>2. EXT resistor bit 2=1</li> </ol> </li> <li>•Input/output of data</li> <li>•Input for key interrupt (P30INT=0)*</li> </ul>	<ul style="list-style-type: none"> <li>•Pull-up resistor Provided/Not provided</li> <li>•Output form CMOS/N-ch open drain</li> </ul>																
Port1 P10 to P17	90-97	I/O	<ul style="list-style-type: none"> <li>•8-bit input/output port</li> <li>•Input/output can be specified in a bit</li> <li>•Another functions               <table border="1" style="margin-left: 20px; width: 100%;"> <tbody> <tr><td>P10</td><td>SIO0 data output</td></tr> <tr><td>P11</td><td>SIO0 data input, bus input/output</td></tr> <tr><td>P12</td><td>SIO0 clock input/output</td></tr> <tr><td>P13</td><td>SIO1 data output</td></tr> <tr><td>P14</td><td>SIO1 data input, bus input/output</td></tr> <tr><td>P15</td><td>SIO1 clock input/output</td></tr> <tr><td>P16</td><td>Buzzer output</td></tr> <tr><td>P17</td><td>Timer 1 output (PWM output)</td></tr> </tbody> </table> </li> </ul>	P10	SIO0 data output	P11	SIO0 data input, bus input/output	P12	SIO0 clock input/output	P13	SIO1 data output	P14	SIO1 data input, bus input/output	P15	SIO1 clock input/output	P16	Buzzer output	P17	Timer 1 output (PWM output)	<ul style="list-style-type: none"> <li>•Output form : CMOS/N-ch open drain</li> </ul>
P10	SIO0 data output																			
P11	SIO0 data input, bus input/output																			
P12	SIO0 clock input/output																			
P13	SIO1 data output																			
P14	SIO1 data input, bus input/output																			
P15	SIO1 clock input/output																			
P16	Buzzer output																			
P17	Timer 1 output (PWM output)																			
Port2 P20 to P27	123-130	I/O	<ul style="list-style-type: none"> <li>•8-bit input/output port</li> <li>•Input/output can be specified in a bit</li> <li>•External memory mode Address output of upper 8-bit</li> </ul>	<ul style="list-style-type: none"> <li>•Output form : CMOS/N-ch open drain</li> </ul>																
Port3 P30 to P37	107-114	I/O	<ul style="list-style-type: none"> <li>•8-bit input/output port</li> <li>•Input/output in a bit</li> <li>•External memory mode               <ol style="list-style-type: none"> <li>1. EXT resistor bit 2=0 : input/output port</li> <li>2. EXT resistor bit 2=1 : address output of lower 8-bit for external memory</li> </ol> </li> <li>•Input for key interrupt (P30INT=L)*</li> </ul>	<ul style="list-style-type: none"> <li>•Pull-up resistor : Provided/Not provided</li> <li>•Output form : CMOS/N-ch open drain</li> </ul>																

\*P30INT : Bit 0 of Port 3 interrupt control register.

Name	No.	I/O	Function description	Option																																											
Port4 P40 to P44 P46, P47	79-83 84,85	I/O	<ul style="list-style-type: none"> <li>•7-bit input/output port</li> <li>•Input/output can be specified each upper 2 bits and lower 5 bits</li> <li>•Another functions</li> </ul> <table border="1"> <tr><td>P40</td><td>CL1</td><td>Latch clock</td></tr> <tr><td>P41</td><td>CL2</td><td>Shift clock</td></tr> <tr><td>P42</td><td>DO</td><td>Output data</td></tr> <tr><td>P43</td><td>M</td><td>Alternate signal</td></tr> <tr><td>P44</td><td>FRM</td><td>Frame signal</td></tr> <tr><td>P46</td><td><math>\overline{RD}</math></td><td>Read signal</td></tr> <tr><td>P47</td><td><math>\overline{WR}</math></td><td>Write signal</td></tr> </table> <p>(P40-P44 : LCD display extend signal, P46, P47 : External RAM access signal)</p>	P40	CL1	Latch clock	P41	CL2	Shift clock	P42	DO	Output data	P43	M	Alternate signal	P44	FRM	Frame signal	P46	$\overline{RD}$	Read signal	P47	$\overline{WR}$	Write signal	<ul style="list-style-type: none"> <li>•Pull-up resistor : Provided/Not provided</li> <li>•Output form : CMOS/N-ch open drain</li> </ul>																						
P40	CL1	Latch clock																																													
P41	CL2	Shift clock																																													
P42	DO	Output data																																													
P43	M	Alternate signal																																													
P44	FRM	Frame signal																																													
P46	$\overline{RD}$	Read signal																																													
P47	$\overline{WR}$	Write signal																																													
Port5 P50 to P57	105-98	I/O	<ul style="list-style-type: none"> <li>•8-bit input/output port</li> <li>•Input/output in bit unit</li> <li>•External memory mode</li> </ul> <ol style="list-style-type: none"> <li>1. EXT resistor bit 3=0 : input/output</li> <li>2. EXT resistor bit 3=1 : bank address output for external memory</li> </ol>	<ul style="list-style-type: none"> <li>•Pull-up resistor : Provided/Not provided</li> <li>•Output form : CMOS/N-ch open drain</li> </ul>																																											
Port7 P70 to P73	86-89	I	<ul style="list-style-type: none"> <li>•4-bit input port</li> <li>•Another functions</li> </ul> <table border="1"> <tr><td>P70</td><td>INT0 input/HOLD release/N-ch Tr output for watchdog timer</td></tr> <tr><td>P71</td><td>INT1 input/HOLD release</td></tr> <tr><td>P72</td><td>INT2 input/timer 0 event input</td></tr> <tr><td>P73</td><td>INT3 input with noise filter/timer 0 event input</td></tr> </table> <ul style="list-style-type: none"> <li>•Interrupt received form, vector address</li> </ul> <table border="1"> <thead> <tr> <th></th> <th>leading</th> <th>trailing</th> <th>leading &amp; trailing</th> <th>high level</th> <th>low level</th> <th>vector</th> </tr> </thead> <tbody> <tr> <td>INT0</td> <td>enable</td> <td>enable</td> <td>disable</td> <td>enable</td> <td>enable</td> <td>03H</td> </tr> <tr> <td>INT1</td> <td>enable</td> <td>enable</td> <td>disable</td> <td>enable</td> <td>enable</td> <td>0BH</td> </tr> <tr> <td>INT2</td> <td>enable</td> <td>enable</td> <td>enable</td> <td>disable</td> <td>disable</td> <td>13H</td> </tr> <tr> <td>INT3</td> <td>enable</td> <td>enable</td> <td>enable</td> <td>disable</td> <td>disable</td> <td>1BH</td> </tr> </tbody> </table>	P70	INT0 input/HOLD release/N-ch Tr output for watchdog timer	P71	INT1 input/HOLD release	P72	INT2 input/timer 0 event input	P73	INT3 input with noise filter/timer 0 event input		leading	trailing	leading & trailing	high level	low level	vector	INT0	enable	enable	disable	enable	enable	03H	INT1	enable	enable	disable	enable	enable	0BH	INT2	enable	enable	enable	disable	disable	13H	INT3	enable	enable	enable	disable	disable	1BH	<ul style="list-style-type: none"> <li>•Pull-up resistor : Provided/Not provided</li> </ul>
P70	INT0 input/HOLD release/N-ch Tr output for watchdog timer																																														
P71	INT1 input/HOLD release																																														
P72	INT2 input/timer 0 event input																																														
P73	INT3 input with noise filter/timer 0 event input																																														
	leading	trailing	leading & trailing	high level	low level	vector																																									
INT0	enable	enable	disable	enable	enable	03H																																									
INT1	enable	enable	disable	enable	enable	0BH																																									
INT2	enable	enable	enable	disable	disable	13H																																									
INT3	enable	enable	enable	disable	disable	1BH																																									



Name	No.	I/O	Function description	Option
C1 to C16	65-50	O	LCD output terminals for common	-
S1 to S48	2-49	O	LCD output terminals for segment	LCD output terminals : segment/common
RES	133	I	Reset	-
ADLC	131	O	Address control signal for external memory	-
EROE	132	O	Enable signal of external ROM output	-
XT1	134	I	Input for 32.768kHz crystal oscillation In case of non use, connect to VDD	-
XT2	135	O	Output for 32.768kHz crystal oscillation In case of non use, should be left unconnected	-
CF1	137	I	Input for ceramic resonator oscillation In case of non use, connect to VDD	-
CF2	138	O	Output for ceramic resonator oscillation In case of non use, should be left unconnected	-

\* Port options can be specified in a bit.

\* A state of port at initial

Pin name	Input/output mode	A state of pull-up resistor specified at pull-up option
Port 0, 7	Input	Fixed pull-up resistor exist
Ports 1, 2 Ports 3, 5	Input	Programmable pull-up resistor OFF
Port 4	Input	Programmable pull-up resistor ON

Name	Output level
C1 to C16	VDD (Display OFF)
S1 to S48	VDD (Display OFF)

DISCONTINUED PRODUCT

## 1. Absolute Maximum Ratings at VSS=0V and Ta=25°C

Parameter	Symbol	Pins	Conditions	Ratings			unit		
				VDD[V]	min.	typ.		max.	
Supply voltage	VDDMAX	VDD			-0.3		+7.0	V	
Input voltage	VI(1)	•Ports 71,72,73 •RES			-0.3		VDD+0.3		
	VI(2)	VLCD			VDD-21		VDD+0.3		
Output voltage	VO(1)	•C1 to C16 •S1 to S48			VLCD-0.3		VDD+0.3		
	VO(2)	•VOUT2,VOUT3 •CUP1,CUP2			VDD-21		VDD+0.3		
	VO(3)	ADLC, $\overline{\text{EROE}}$			-0.3		VDD+0.3		
Input/output voltage	VIO(1)	•Ports 0,1,2,3,4,5 •Port 70			-0.3		VDD+0.3		
High level output current	Peak output current	IOPH(1)	•Ports 0,1,2,3,4,5 •ADLC, $\overline{\text{EROE}}$	•CMOS output •At each pin	-4			mA	
	Total output current	$\Sigma$ IOAH(1)	•Ports 0,2,3 •C1-C16,S1-S48 •ADLC, $\overline{\text{EROE}}$	Total all pins	-25				
		$\Sigma$ IOAH(2)	Ports 1, 4, 5	Total all pins	-25				
Low level output current	Peak output current	IOPL(1)	•Ports 0,1,2,3,4,5 •ADLC, $\overline{\text{EROE}}$	At each pin			20		
		IOPL(2)	Port 70	At each pin			15		
	Total output current	$\Sigma$ IOAL(1)	Port 0	Total all pins				40	
		$\Sigma$ IOAL(2)	•Port 2 •ADLC, $\overline{\text{EROE}}$	Total all pins				40	
		$\Sigma$ IOAL(3)	Port 3	Total all pins				40	
		$\Sigma$ IOAL(4)	Ports 1, 5	Total all pins				40	
		$\Sigma$ IOAL(5)	Port 4	Total all pins				40	
		$\Sigma$ IOAL(6)	Port 70	Total all pins				15	
$\Sigma$ IOAL(7)	C1-C16,S1-S48	Total all pins				30			
Operating temperature range	Topr				-30		+70	°C	
Storage temperature range	Tstg				-55		+125		

## Notes :

The specifications above are for a die mounted in a QIC160 type package.

However, we ship this product as a die only, not a package chip.

Therefore, the operational characteristics may vary depending on the user's packaging techniques.

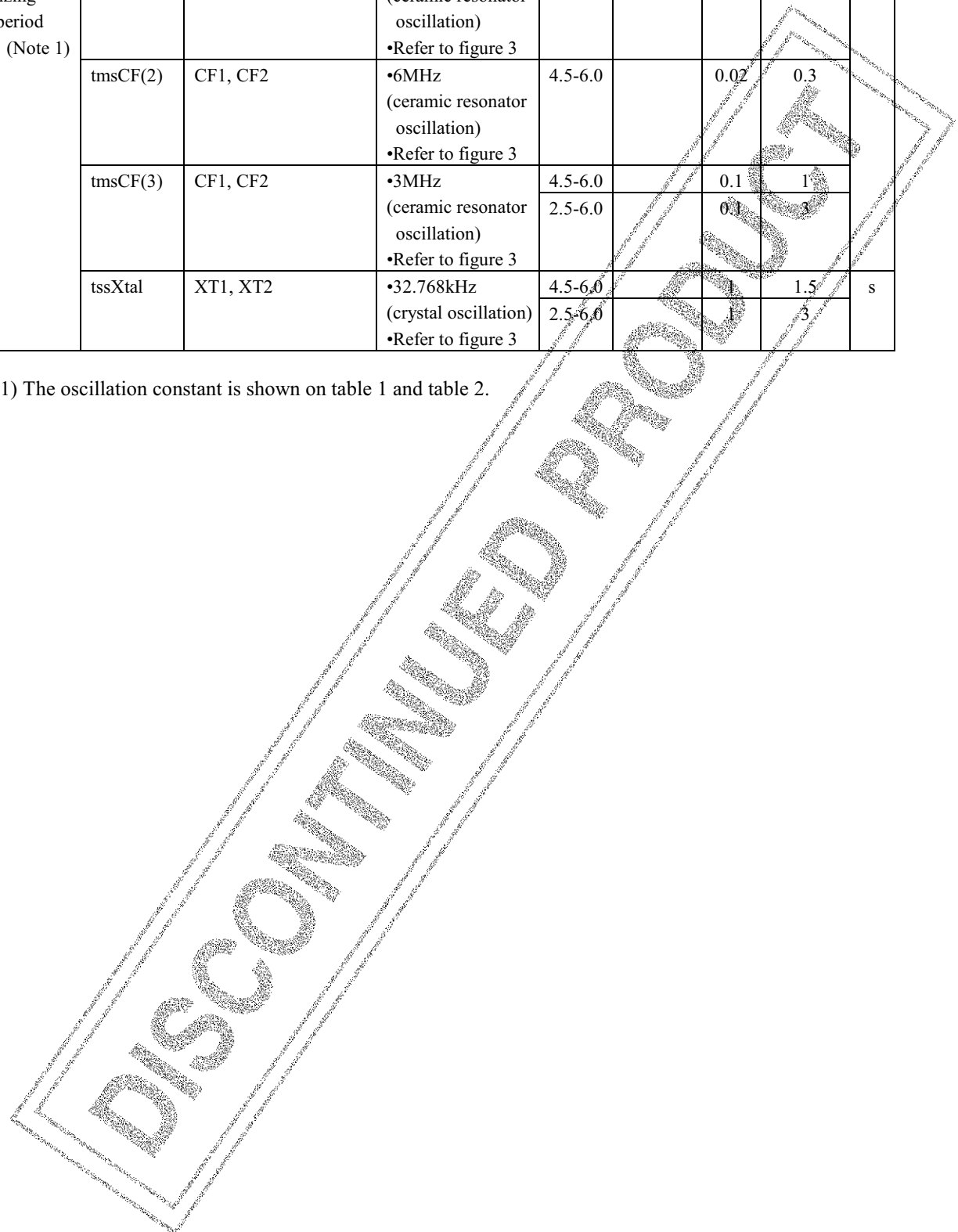
## 2. Recommended Operating Range at Ta=-30°C to +70°C, VSS=0V

Parameter	Symbol	Pins	Conditions	Ratings			unit		
				VDD[V]	min.	typ.		max.	
Operating supply voltage range	VDD(1)	VDD	0.98μs ≤ tCYC ≤ 400μs		4.5		6.0	V	
	VDD(2)		1.9μs ≤ tCYC ≤ 400μs		4.5		6.0		
	VDD(3)		3.9μs ≤ tCYC ≤ 400μs		2.5		6.0		
Hold voltage	VHD	VDD	RAMs and the registers hold voltage at HOLD mode.		2.0		6.0		
LCD display voltage	VLCD	VLCD		4.5-6.0	-2VDD		VDD-4.5		
				2.5-4.5	-VDD		VDD-4.5		
Input high voltage	VIH(1)	Port 0 (Schmitt)	Output disable	2.5-6.0	0.4VDD+0.9		VDD		
	VIH(2)	•Ports 1,2,4,5 •Ports 72,73 (Schmitt)	Output disable	2.5-6.0	0.75VDD		VDD		
	VIH(3)	•Port 70 for Port input/interrupt •Port 71 •RES (Schmitt)	Output N-channel Tr. OFF	2.5-6.0	0.75VDD		VDD		
	VIH(4)	Port 70 for watchdog timer	Output N-channel Tr. OFF	2.5-6.0	0.9VDD		VDD		
	VIH(5)	Port 3	Output disable	2.5-6.0	0.75VDD		VDD		
Input low voltage	VIL(1)	Port 0 (Schmitt)	Output disable	2.5-6.0	VSS		0.2VDD		
	VIL(2)	•Ports 1,2,4,5 •Ports 72,73 (Schmitt)	Output disable	2.5-6.0	VSS		0.25VDD		
	VIL(3)	•Port 70 Port input/interrupt •Port 71 •RES	Output N-channel Tr. OFF	2.5-6.0	VSS		0.25VDD		
	VIL(4)	Port 70 for watchdog timer	Output N-channel Tr. OFF	2.5-6.0	VSS		0.8VDD-1.0		
	VIL(5)	Port 3	Output disable	2.5-6.0	VSS		0.25VDD		
Operation cycle time	tCYC			4.5-6.0	0.98		400	μs	
				2.5-6.0	3.9		400		
Oscillation frequency range (Note 1)	FmCF(1)	CF1, CF2	•12MHz (ceramic resonator oscillation) •Refer to figure 1	4.5-6.0	11.76	12	12.24	MHz	
	FmCF(2)	CF1, CF2	•6MHz (ceramic resonator oscillation) •Refer to figure 1	4.5-6.0	5.88	6	6.12		
	FmCF(3)	CF1, CF2	•3MHz (ceramic resonator oscillation) •Refer to figure 1	2.5-6.0	2.94	3	3.06		
	FmRC			•Internal RC oscillation Mask option is 'High'	2.5-4.5	1.0	1.4		2.0
					4.5-6.0	0.8	1.3		1.8
	FmRC			•Internal RC oscillation Mask option is 'Low'	2.5-4.5	0.5	0.9		1.2
4.5-6.0					0.4	0.75	1.0		
FsXtal	XT1, XT2		•32.768kHz (crystal oscillation) •Refer to figure 2	2.5-6.0		32.768		kHz	

Continue.

Parameter	Symbol	Pins	Conditions	Ratings			unit	
				VDD[V]	min.	typ.		max.
Oscillation stabilizing time period (Note 1)	tmsCF(1)	CF1, CF2	•12MHz (ceramic resonator oscillation) •Refer to figure 3	4.5-6.0		0.02	0.3	ms
	tmsCF(2)	CF1, CF2	•6MHz (ceramic resonator oscillation) •Refer to figure 3	4.5-6.0		0.02	0.3	
	tmsCF(3)	CF1, CF2	•3MHz (ceramic resonator oscillation) •Refer to figure 3	4.5-6.0 2.5-6.0		0.1 0.1	1 3	
	tssXtal	XT1, XT2	•32.768kHz (crystal oscillation) •Refer to figure 3	4.5-6.0 2.5-6.0		1 1	1.5 3	s

(Note 1) The oscillation constant is shown on table 1 and table 2.



## 3. Electrical Characteristics at Ta=-30°C to +70°C, VSS=0V

Parameter	Symbol	Pins	Conditions	Ratings			unit	
				VDD[V]	min.	typ.		max.
Input high current	IIH(1)	•Ports 1,2,3,4,5 •Port 0 without pull-up MOS Tr.	•Output disable •Pull-up MOS Tr. OFF •VIN=VDD (including the off-leak current of the output Tr.)	2.5-6.0			1	μA
	IIH(2)	Port 7 without pull-up MOS Tr.	•Output Nch Tr. OFF •VIN=VDD (including the off-leak current of the output Tr.)	2.5-6.0			1	
	IIH(3)	$\overline{\text{RES}}$	VIN=VDD	2.5-6.0			1	
Input low current	IIL(1)	•Ports 1,2,3,4,5 •Port 0 without pull-up MOS Tr.	•Output disable •Pull-up MOS Tr. OFF •VIN=VSS (including the off-leak current of the output Tr.)	2.5-6.0	-1			
	IIL(2)	Port 7 without pull-up MOS Tr.	•Output Nch Tr. OFF •VIN=VSS (including the off-leak current of the output Tr.)	2.5-6.0	-1			
	IIL(3)	$\overline{\text{RES}}$	VIN=VSS	2.5-6.0	-1			
Output high voltage	VOH(1)	Port 0 of	IOH=-10mA	4.5-6.0	VDD-1.5			V
	VOH(2)	CMOS output	IOH=-1mA	2.5-6.0	VDD-0.4			
	VOH(3)	•Ports 1,2,3,4,5 of	IOH=-1.0mA	4.5-6.0	VDD-1			
	VOH(4)	CMOS output •ADLC, EROE	IOH=-0.1mA	2.5-6.0	VDD-0.5			
Output low voltage	VOL(1)	•Ports 0,1,2,3,4,5	IOL=10mA	4.5-6.0			1.5	
	VOL(2)	•ADLC, EROE	IOL=1.6mA	4.5-6.0			0.4	
	VOL(3)		•IOL=1.0mA •The current of any measurement pin is not over 1mA.	2.5-6.0			0.4	
	VOL(4)	Port 7	IOL=1mA	4.5-6.0			0.4	
	VOL(5)		IOL=0.5mA	2.5-6.0			0.4	
Pull-up MOS Tr. resistor	Rpu	•Ports 0,1,2,3,4,5 •Port 7	VOH=0.9VDD	4.5-6.0	15	40	70	kΩ
				2.5-4.5	25	60	120	
Hysteresis voltage	VHIS	•Ports 0,1,2,3,4,5 •Port 7 •RES	Output disable	2.5-6.0		0.1VDD		V
Pin capacitance	CP	All pins	•f=1MHz •Unmeasurement terminals for the input are set to VSS level. •Ta=25°C	2.5-6.0		10		pF

4. Serial Input/Output Characteristics at Ta=-30°C to +70°C, VSS=0V

Parameter	Symbol	Pins	Conditions	Ratings			unit		
				VDD[V]	min.	typ.		max.	
Serial clock	Input clock	Cycle	tCKCY(1)	SCK0, SCK1	Refer to figure 5.	2.5-6.0	2		tCYC
		Low Level pulse width	tCKL(1)				1		
		High Level pulse width	tCKH(1)				1		
	Output clock	Cycle	tCKCY(2)	SCK0, SCK1	•Use pull-up resistor (1kΩ) when Nch open-drain output. •Refer to figure 5.	2.5-6.0	2		
		Low Level pulse width	tCKL(2)					1/2 tCKCY	
		High Level pulse width	tCKH(2)					1/2 tCKCY	
Serial input	Data set up time	tICK	•SI0,SI1 •SB0,SB1	•Data set-up to SCK0,1 •Data hold from SCK0,1 •Refer to figure 5.	4.5-6.0	0.1		μs	
	Data hold time	tICKI			2.5-6.0	0.4			
					4.5-6.0	0.1			
Serial output	Output delay time (Serial clock is external clock)	tCKO(1)	•SO0,SO1 •SB0,SB1	•Data set-up to SCK0,1 •Use pull-up resistor (1kΩ) when Nch open-drain output. •Refer to figure 5.	4.5-6.0			7/12 tCYC	
					2.5-6.0			+0.2	
	Output delay time (Serial clock is internal clock)	tCKO(2)	•SO0,SO1 •SB0,SB1	•Data hold from SCK0,1 •Use pull-up resistor (1kΩ) when Nch open-drain output. •Refer to figure 5.	4.5-6.0			1/3 tCYC	
					2.5-6.0			+0.2	

DISCONTINUED PRODUCT



## 5. Pulse Input Conditions at Ta=-30°C to +70°C, VSS=0V

Parameter	Symbol	Pins	Conditions	Ratings			unit
				VDD[V]	min.	typ.	
High/low level pulse width	tPIH(1) tPIL(1)	•INT0, INT1 •INT2/T0IN •Refer to figure 6	•Interrupt acceptable •Timer0-countable	2.5-6.0	1		tCYC
	tPIH(2) tPIL(2)	•INT3/T0IN (The noise rejection clock is selected to 1/1.) •Refer to figure 6	•Interrupt acceptable •Timer0-countable	2.5-6.0	2		
	tPIH(3) tPIL(3)	•INT3/T0IN (The noise rejection clock is selected to 1/16.) •Refer to figure 6	•Interrupt acceptable •Timer0-countable	2.5-6.0	32		
	tPIH(4) tPIL(4)	•INT3/T0IN (The noise rejection clock is selected to 1/64.) •Refer to figure 6	•Interrupt acceptable •Timer0-countable	2.5-6.0	128		
	tPIL(5)	•RES •Refer to figure 6	Reset acceptable	2.5-6.0	200		μs

DISCONTINUED PRODUCT

6. Current Dissipation Characteristics at Ta=-30°C to +70°C, VSS=0V

Parameter	Symbol	Pins	Conditions	Ratings			unit				
				OCR7	VDD[V]	min.		typ.	max.		
Current dissipation during basic operation (Note 2)	IDDOP(1)	VDD	<ul style="list-style-type: none"> <li>•FmCF=12MHz</li> <li>•Ceramic resonator oscillation</li> <li>•FsXtal=32.768kHz crystal oscillation</li> <li>•System clock : 12MHz</li> <li>•Internal RC oscillation stops</li> </ul>	0	4.5-6.0		10	25	mA		
	IDDOP(2)		<ul style="list-style-type: none"> <li>•FmCF=6MHz</li> <li>•Ceramic resonator oscillation</li> <li>•FsXtal=32.768kHz crystal oscillation</li> <li>•System clock : 6MHz</li> <li>•Internal RC oscillation stops</li> </ul>	1	4.5-6.0		10	25			
	IDDOP(3)		<ul style="list-style-type: none"> <li>•FmCF=3MHz</li> <li>•Ceramic resonator oscillation</li> <li>•FsXtal=32.768kHz crystal oscillation</li> <li>•System clock : 3MHz</li> <li>•Internal RC oscillation stops</li> </ul>	0	4.5-6.0		3	9			
	IDDOP(4)			1			6	15			
	IDDOP(5)			0		2.5-4.5		1.5	5		
	IDDOP(6)		<ul style="list-style-type: none"> <li>•FmCF=0Hz</li> <li>•FsXtal=32.768kHz crystal oscillation</li> <li>•System clock : RC oscillation</li> </ul>	Mask option is "High"	0	4.5-6.0		1.2	5.8		
	IDDOP(7)				1			2.0	7.8		
	IDDOP(8)			Mask option is "Low"	0	2.5-4.5		0.7	4.8		
	IDDOP(9)				1			1.4	6.2		
	IDDOP(10)				0		4.5-6.0		0.7	3.4	
	IDDOP(11)			1		1.2		4.5			
	IDDOP(12)			0	2.5-4.5			0.4	2.8		
	IDDOP(13)		1			0.8	3.6				
	IDDOP(14)		<ul style="list-style-type: none"> <li>•FmCF=0Hz</li> <li>•FsXtal=32.768kHz crystal oscillation</li> <li>•System clock : 32.768kHz</li> <li>•Internal RC oscillation stops</li> </ul>		0	4.5-6.0		38	150	μA	
	IDDOP(15)				1			60	300		
	IDDOP(16)				0		2.5-4.5		15		70
	IDDOP(17)				1				25		120

\*OSCR : Bit 7 of the oscillation control register.

Continue.

Parameter	Symbol	Pins	Conditions	Ratings			unit			
				OCR7	VDD[V]	min.		typ.	max.	
Current dissipation in HALT mode (Note 2)	IDDHALT(1)	VDD	<ul style="list-style-type: none"> <li>•HALT mode</li> <li>•FmCF=12MHz</li> <li>Ceramic resonator oscillation</li> <li>•FsXtal=32.768kHz crystal oscillation</li> <li>•System clock : 12MHz</li> <li>•Internal RC oscillation stops</li> </ul>	0	4.5-6.0		5.0	14	mA	
	IDDHALT(2)		<ul style="list-style-type: none"> <li>•HALT mode</li> <li>•FmCF=6MHz</li> <li>Ceramic resonator oscillation</li> <li>•FsXtal=32.768kHz crystal oscillation</li> <li>•System clock : 6MHz</li> <li>•Internal RC oscillation stops</li> </ul>	1	4.5-6.0		5.0	14		
	IDDHALT(3)		<ul style="list-style-type: none"> <li>•HALT mode</li> </ul>	0	4.5-6.0		2.3	7		
	IDDHALT(4)		<ul style="list-style-type: none"> <li>•FmCF=3MHz</li> </ul>	1			4.5	15		
	IDDHALT(5)		<ul style="list-style-type: none"> <li>Ceramic resonator oscillation</li> <li>•FsXtal=32.768kHz crystal oscillation</li> <li>•System clock : 3MHz</li> <li>•Internal RC oscillation stops</li> </ul>	0	2.5-4.5		0.8	4		
	IDDHALT(6)		<ul style="list-style-type: none"> <li>•HALT mode</li> </ul>	0	4.5-6.0		650	2700		
	IDDHALT(7)		<ul style="list-style-type: none"> <li>•FmCF=0Hz</li> </ul>	1			1000	4200		
	IDDHALT(8)		<ul style="list-style-type: none"> <li>(when oscillation stops)</li> </ul>	0	2.5-4.5		340	2200		
	IDDHALT(9)			1			600	2500		
	IDDHALT(10)		<ul style="list-style-type: none"> <li>•FsXtal=32.768kHz crystal oscillation</li> </ul>	0	4.5-6.0		400	1600		
	IDDHALT(11)		<ul style="list-style-type: none"> <li>•System clock :</li> </ul>	1			600	2400		
	IDDHALT(12)		<ul style="list-style-type: none"> <li>RC oscillation</li> </ul>	0	2.5-4.5		200	1300		
	IDDHALT(13)			1			350	1500		
	IDDHALT(14)		<ul style="list-style-type: none"> <li>•HALT mode</li> </ul>	0	4.5-6.0		25	100		μA
	IDDHALT(15)		<ul style="list-style-type: none"> <li>•FmCF=0Hz</li> </ul>	1			36	140		
	IDDHALT(16)		<ul style="list-style-type: none"> <li>(when oscillation stops)</li> </ul>	0	2.5-4.5		8	55		
	IDDHALT(17)		<ul style="list-style-type: none"> <li>•FsXtal=32.768kHz crystal oscillation</li> <li>•System clock : 32.768kHz</li> <li>•Internal RC oscillation stops</li> </ul>	1			12	85		
Current dissipation in HOLD mode (Note 2)	IDDHOLD(1)	VDD	HOLD mode		4.5-6.0		0.05	30		
	IDDHOLD(2)				2.5-4.5		0.02	20		

(Note 2) The currents of the output transistors, pull-up transistors and the LCD bleeder resistors are ignored. Refer to figure 7.

7. LCD Voltage and LCD Driver Characteristics at Ta=-30°C to +70°C, VSS=0V

Parameter	Symbol	Pins, Conditions	Ratings				unit	
			VDD[V]	min.	typ.	max.		
VDD-Ci drop voltage (i : 1 to 16)	VD1	•Only a Ci terminal for -15μA •LCD display ON	2.9			120	mV	
			5.0			200		
VX-Ci drop voltage (X : 1 to 4) (i : 1 to 16)	VD2	•1/5 bias •V5=0V	2.9			120		
			5.0			200		
VX-Ci drop voltage (X : 1 to 5) (i : 1 to 16)	VD3	•Only a Ci terminal for +15μA •LCD display ON •1/5 bias •V5=0V	2.9	-120				
			5.0	-200				
VDD-Si drop voltage (i : 1 to 48)	VD4	•Only a Si terminal for -15μA •LCD display ON	2.9			120		
			5.0			200		
VX-Si drop voltage (X : 1 to 4) (i : 1 to 48)	VD5	•1/5 bias •V5=0V	2.9			120		
			5.0			200		
VX-Si drop voltage (i : 1 to 5) (i : 1 to 48)	VD6	•Only a Ci terminal for +15μA •LCD display ON •1/5 bias •V5=0V	2.9	-120				
			5.0	-200				
V1 output voltage	VV1	•LCD clock frequency=0Hz •LCD display ON	2.9	0.75VDD	0.80VDD	0.85VDD	V	
			5.0					
V2 output voltage	VV2	•1/5 bias •V5=0V	2.9	0.55VDD	0.60VDD	0.65VDD		
			5.0					
V3 output voltage	VV3	•Refer to figure 9	2.9	0.35VDD	0.40VDD	0.45VDD		
			5.0					
V4 output voltage	VV4		2.9	0.15VDD	0.20VDD	0.25VDD		
			5.0					
LCD display current	LCD1	•LCD display ON •1/5 bias	20kΩ mode	5	25	50	100	μA
			4kΩ mode	2.9	15	29	60	
	LCD2	•VLCD=0V •V1-V5 are opened •Refer to figure 8	4kΩ mode	5	125	250	500	
				2.9	75	150	300	
Step up voltage	VOUT2	•V1-V5 resistor=20kΩ •LCD display ON •LVCR0=1 (doubler) •VOUT2 •C5=C6=0.1μF •Internal RC oscillation start •Refer to figure 10	IL=100μA	2.7	-2.7	-1.9	-1.7	V
				3	-3	-2.8	-2.6	
			5	-5	-4.8	-4.5		
			IL=500μA	2.7	-2.7	-1.8	-1.5	
	3	-3	-2.6	-2.2				
	5	-5	-4.6	4.2				
	VOUT3	•V1-V5 resistor=20kΩ •LCD display ON •LVCR0=0 (trippler) •VOUT3 •C5=C6=0.1μF •Internal RC oscillation start •Refer to figure 11	IL=100μA	5	-10	-9.4	-9.0	
				IL=500μA	5	-10	-8.5	
Contrast current (VLCD terminal)	LC1	•LCD display ON •V5=0V •VLCD=-3V •Refer to figure 12	VCCR=1	5	5	10	20	mA
			VCCR=2	5	2.5	5	10	
			VCCR=4	5	1.25	2.5	5	
			VCCR=8	5	0.6	1.25	2.5	
			LC5	VCCR=10H	5	0.3	0.6	1.25

VCCR : The LCD contrast control register

LVCR0 : Bit 0 of the LCD bias control register

Table 1. Ceramic resonator oscillation recommended constant (main clock)

Oscillation type	Maker	Oscillator	C1	C2
12MHz ceramic resonator oscillation	Murata	CSA12.0MT	33pF	33pF
		CST12.00MTW	on chip	
6MHz ceramic resonator oscillation	Kyocera	KBR-12.0M	33pF	33pF
	Murata	CSA6.00MG	33pF	33pF
		CST6.00MGW	on chip	
	Kyocera	KBR-6.0MSA	33pF	33pF
KBR-6.0MKS		on chip		
3MHz ceramic resonator oscillation	Murata	CSA3.0MG	33pF	33pF
		CST3.0MGW	on chip	
	Kyocera	KBR-3.0MS	47pF	47pF

\* Both C1 and C2 must use K rank ( $\pm 10\%$ ) and SL characteristics.

Table 2. Crystal oscillation recommended constant (sub clock)

Oscillation type	Maker	Oscillator	C3	C4
32.768kHz crystal oscillation	CITIZEN	CFS-308	18pF	18pF
	SII	DT-VT-200	18pF	18pF

\* Both C3 and C4 must use J rank ( $\pm 5\%$ ) and CH characteristics.

(It is about the application which is not in need of high precision. Use K rank ( $\pm 10\%$ ) and SL characteristics.)

- (Notes)
- Since the circuit pattern affects the oscillation frequency, place the oscillation-related parts as close to the oscillation pins as possible with the shortest possible pattern length.
  - For other oscillators, please request an evaluation of microcomputer and oscillator matching to the oscillator manufacturer.

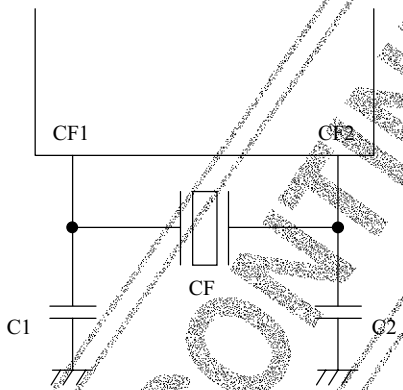


Figure 1 Ceramic oscillation circuit

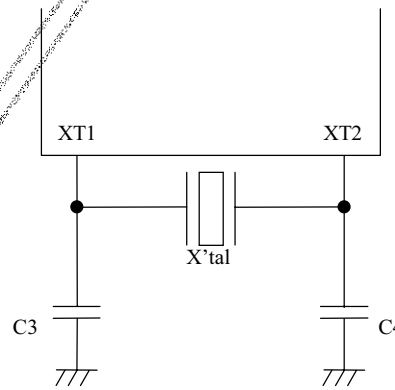


Figure 2 Crystal oscillation circuit

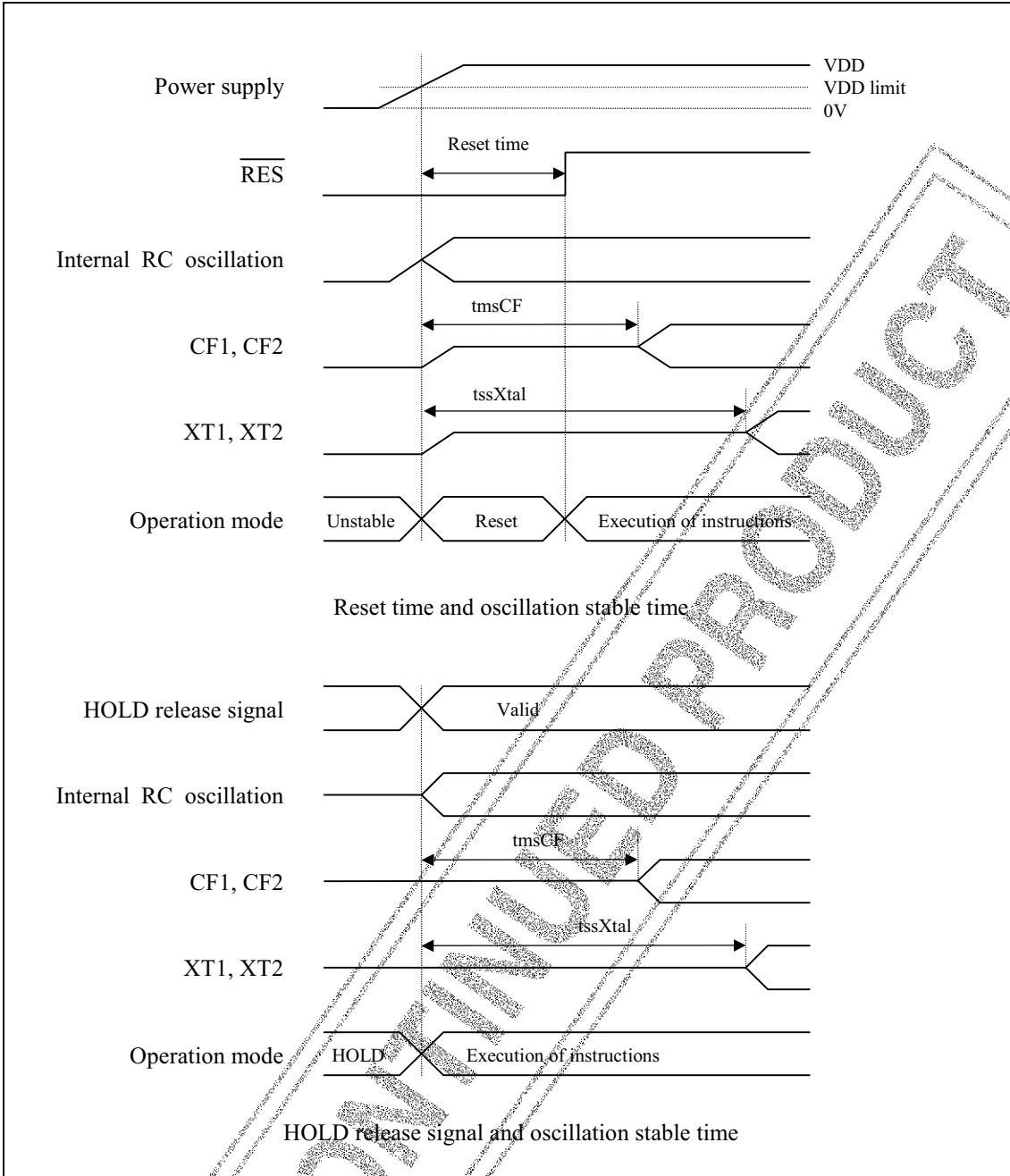
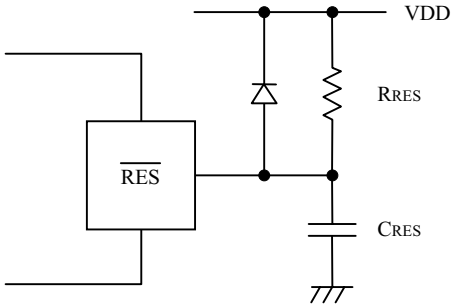


Figure 3 Oscillation stable time



(Note) Fix the value of CRES, RRES that is sure to reset until 200 $\mu$ s, after Power supply has been over inferior limit of supply voltage.

Figure 4 Reset circuit

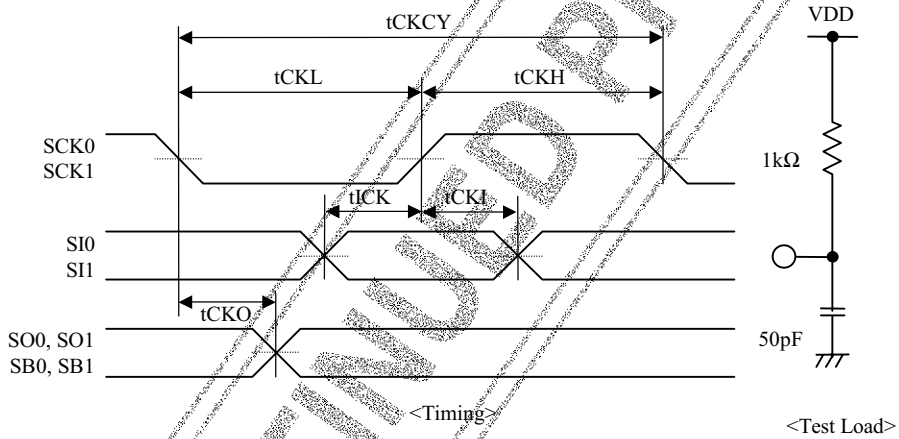


Figure 5 Serial input / output test condition

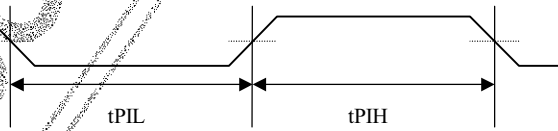


Figure 6 Pulse input timing condition

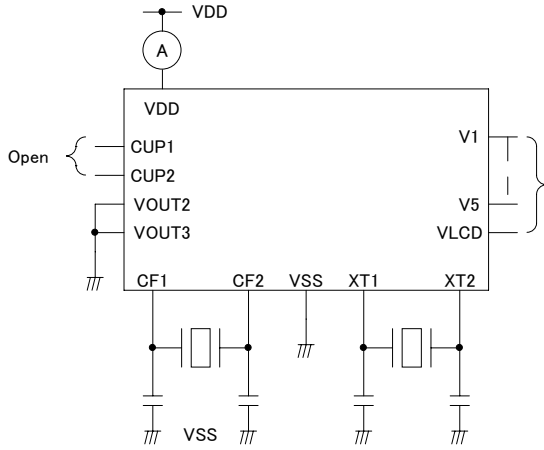


Figure 7 Current dissipation measurement

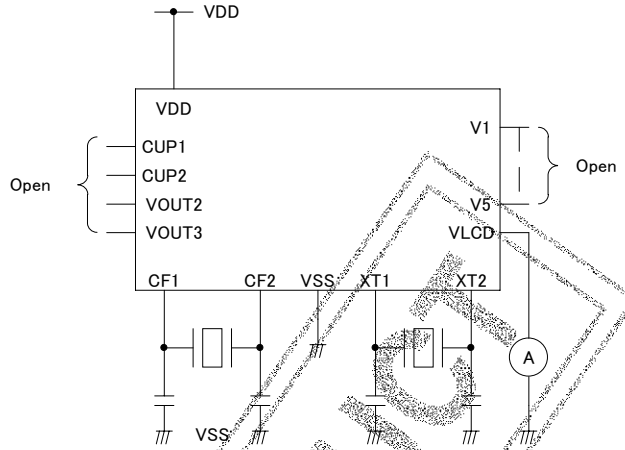


Figure 8 LCD display current measurement

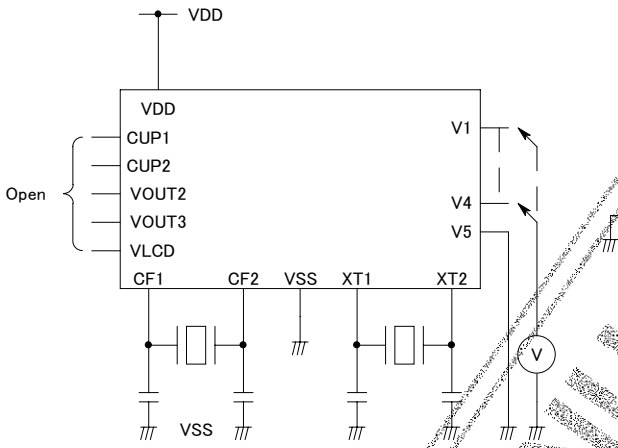


Figure 9 Output voltage of V1-V4 measurement

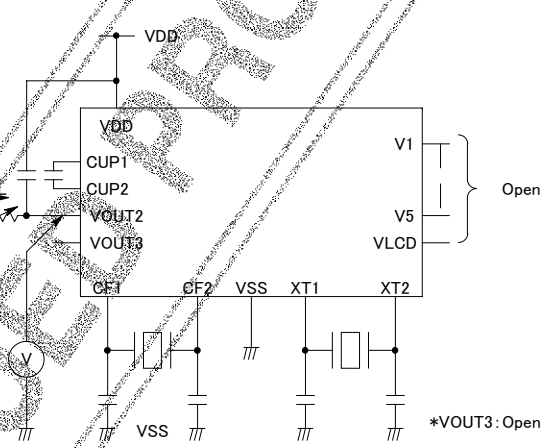


Figure 10 Step up output voltage measurement (1)

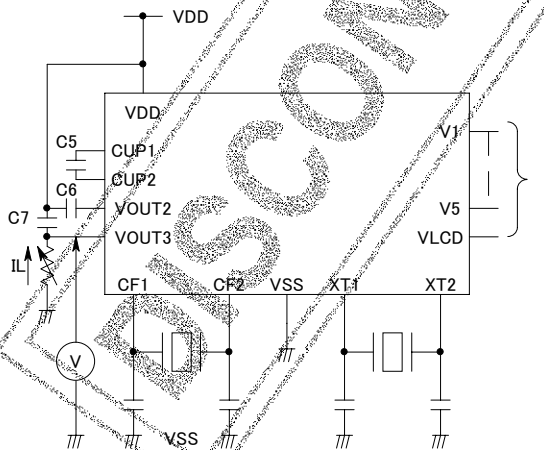


Figure 11 Step up output voltage measurement (2)

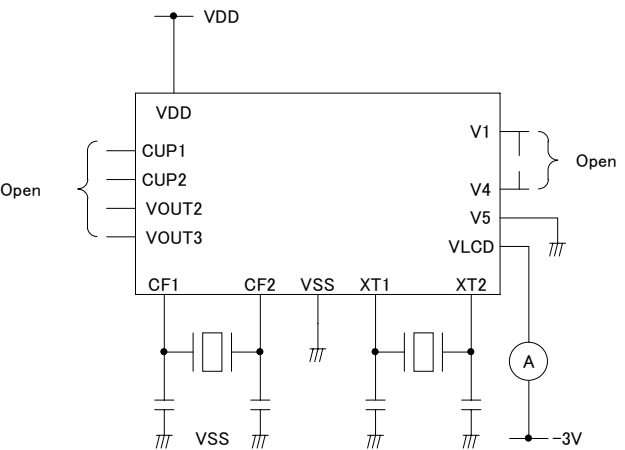


Figure 8 Contrast current measurement



8. AC Characteristics at Ta=-30°C to +70°C, VSS=0V

Load capacity : 100pF (Port 0, ADLC,  $\overline{EROE}$ )  
 Load capacity : 80pF (Output terminals except above)  
 \*tCLCL=1/12 tCYC

External program memory timing

Parameter	Symbol	Pads and Conditions	Ratings		unit
			VDD[V]	min. / max.	
ADLC pulse width	tLHLL		4.5 - 6.0	2tCLCL-40	ns
			2.5 - 6.0	2tCLCL-160	
Address settling time	tAVLL	For ADLC	4.5 - 6.0	tCLCL-40	
			2.5 - 6.0	tCLCL-160	
Address hold time	tLLAX	For ADLC	4.5 - 6.0	tCLCL-35	
			2.5 - 6.0	tCLCL-140	
ADLC → control signal	tLLEL	For $\overline{EROE}$	4.5 - 6.0	tCLCL-25	
			2.5 - 6.0	tCLCL-100	
$\overline{EROE}$ pulse width	tELEH		4.5 - 6.0	3tCLCL-35	
			2.5 - 6.0	3tCLCL-140	
Data delay time	tELIV	From $\overline{EROE}$	4.5 - 6.0	3tCLCL-125	
			2.5 - 6.0	3tCLCL-400	
Data hold time	tEHIX	For $\overline{EROE}$	4.5 - 6.0	0	
			2.5 - 6.0	0	
$\overline{EROE}$ → address in	tEHAV		4.5 - 6.0	tCLCL-8	
			2.5 - 6.0	tCLCL-32	

Refer to figure 13.

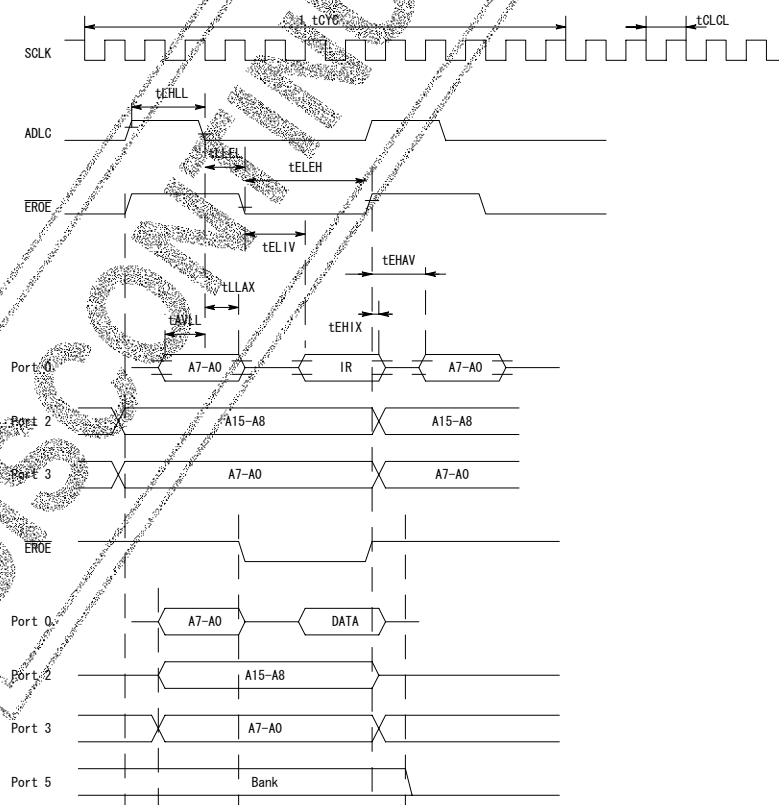


Figure 13 Timing of the external Program Memory/Data Memory

External data memory timing

Parameter	Symbol	Pads and Conditions	Ratings		unit
			VDD[V]	min. / max.	
RD pulse width	tRLRH		4.5 - 6.0	6tCLCL-80	ns
			2.5 - 6.0	6tCLCL-320	
WR pulse width	tWLWH		4.5 - 6.0	6tCLCL-80	
			2.5 - 6.0	6tCLCL-320	
Data address hold time	tLLAX	For ADLC (at LDX)	4.5 - 6.0	2tCLCL-35	
			2.5 - 6.0	2tCLCL-140	
		For ADLC (at STX)	4.5 - 6.0	2tCLCL-35	
			2.5 - 6.0	2tCLCL-140	
Data delay time	tRLDV	From RD	4.5 - 6.0	5tCLCL-125	
			2.5 - 6.0	5tCLCL-400	
Data hold time	tRHDX	From RD	4.5 - 6.0	0	
			2.5 - 6.0	0	
Data floating time	tRHDZ	From RD	4.5 - 6.0	2tCLCL-70	2tCLCL+70
			2.5 - 6.0	2tCLCL-280	
Data address setting time	tAVLL	For ADLC	4.5 - 6.0	tCLCL-40	
			2.5 - 6.0	tCLCL-160	
ADLC → control signal	tLLRL	For RD	4.5 - 6.0	3tCLCL-50	3tCLCL+50
			2.5 - 6.0	3tCLCL-200	
	tLLWL	For WR	4.5 - 6.0	3tCLCL-50	3tCLCL+50
			2.5 - 6.0	3tCLCL-200	
Data settling time	tQVWL	For WR	4.5 - 6.0	tCLCL-60	
			2.5 - 6.0	tCLCL-240	
Data in WR = 1	tQVWH		4.5 - 6.0	7tCLCL-140	
			2.5 - 6.0	7tCLCL-560	
Data hold time	tWHQX	From WR	4.5 - 6.0	tCLCL-50	
			2.5 - 6.0	tCLCL-200	
Control signal → ADLC	tRHLH	For RD	4.5 - 6.0	tCLCL-50	tCLCL+50
			2.5 - 6.0	tCLCL-200	
	tWHLH	For WR	4.5 - 6.0	tCLCL-50	tCLCL+50
			2.5 - 6.0	tCLCL-200	

Refer to figure 14.

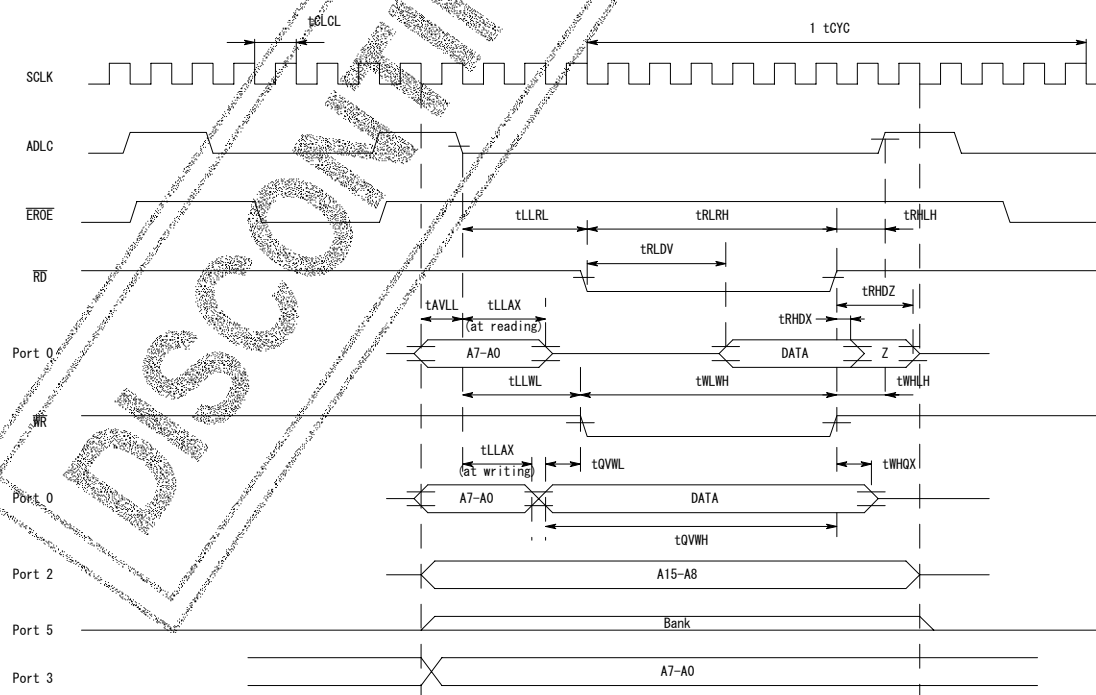


Figure 14 Timing of the external RAM

• Evaluation Sample (ES)

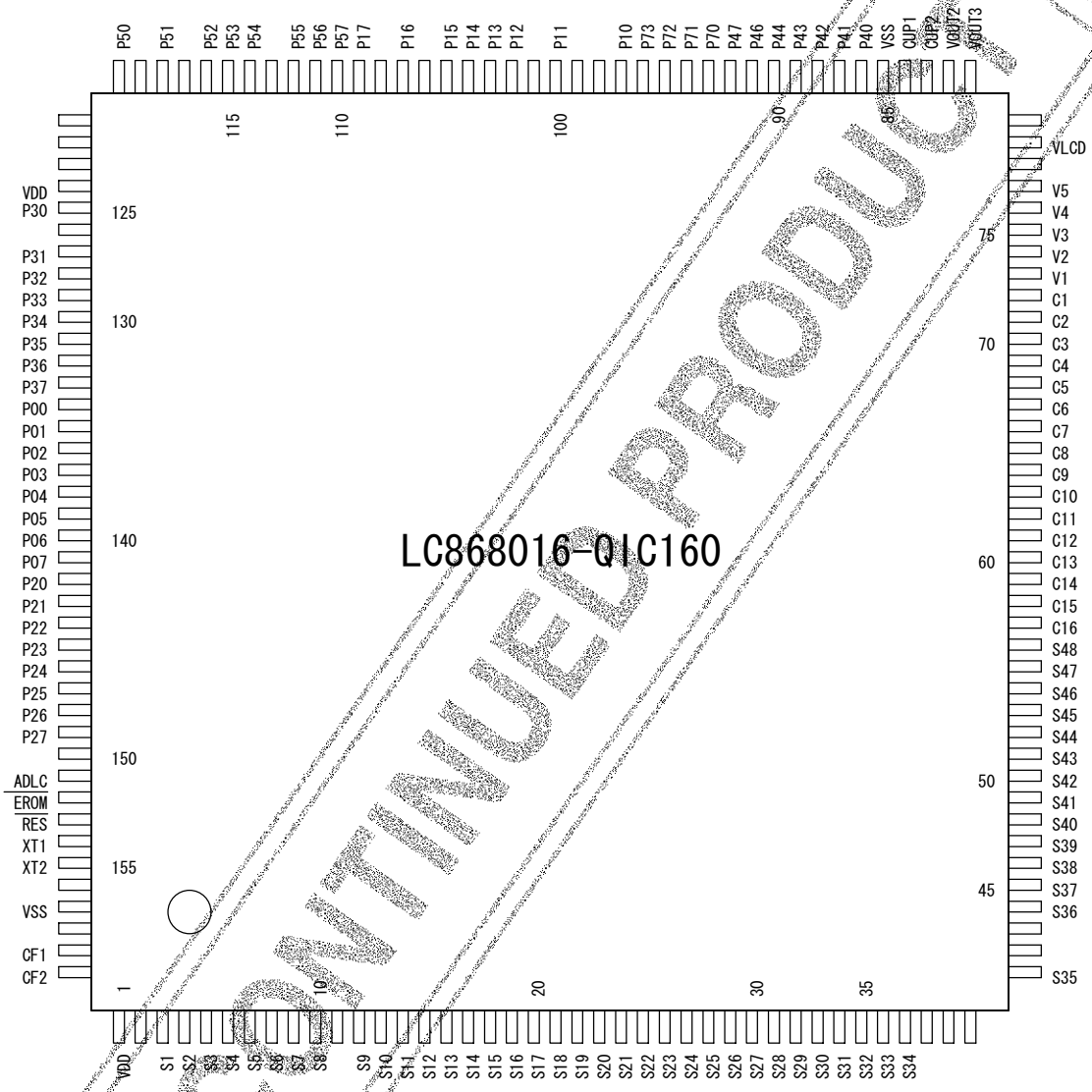
The factory shipment of this microcomputer is chip.

But there are two types of shipment of evaluation sample.

One type is chip and the other is package (QIC160).

If you selected package type, please refer to the following pin assignment and layout, and make the user target board.

• Pin Assignment of evaluation sample (Package type)



- Layout of evaluation sample (Package type) : QIC160

UNTESTED PRODUCT

- Specifications of any and all SANYO products described or contained herein stipulate the performance, characteristics, and functions of the described products in the independent state, and are not guarantees of the performance, characteristics, and functions of the described products as mounted in the customer's products or equipment. To verify symptoms and states that cannot be evaluated in an independent device, the customer should always evaluate and test devices mounted in the customer's products or equipment.
- SANYO Electric Co., Ltd. strives to supply high-quality high-reliability products. However, any and all semiconductor products fail with some probability. It is possible that these probabilistic failures could give rise to accidents or events that could endanger human lives, that could give rise to smoke or fire, or that could cause damage to other property. When designing equipment, adopt safety measures so that these kinds of accidents or events cannot occur. Such measures include but are not limited to protective circuits and error prevention circuits for safe design, redundant design, and structural design.
- In the event that any or all SANYO products (including technical data, services) described or contained herein are controlled under any of applicable local export control laws and regulations, such products must not be exported without obtaining the export license from the authorities concerned in accordance with the above law.
- No part of this publication may be reproduced or transmitted in any form or by any means, electronic or mechanical, including photocopying and recording, or any information storage or retrieval system, or otherwise, without the prior written permission of SANYO Electric Co., Ltd.
- Any and all information described or contained herein are subject to change without notice due to product/technology improvement, etc. When designing equipment, refer to the "Delivery Specification" for the SANYO product that you intend to use.
- Information (including circuit diagrams and circuit parameters) herein is for example only ; it is not guaranteed for volume production. SANYO believes information herein is accurate and reliable, but no guarantees are made or implied regarding its use or any infringements of intellectual property rights or other rights of third parties.

This catalog provides information as of September, 2000. Specifications and information herein are subject to change without notice.