

LSISAS1064E

4-Port PCI Express to 3Gb/s SAS Controller

<http://lsiologic.com/storage>



EXTENDS 20 YEARS OF SCSI TECHNOLOGY TO NEXT GENERATION PRODUCT PLATFORMS FOR HIGH PERFORMANCE, SCALABILITY, FLEXIBILITY AND RAID CAPABILITY

OVERVIEW

The LSISAS1064E is a four-port 3.0Gb/s Serial Attached SCSI (SAS) controller that is based on the Fusion-MPT™ (Message Passing Technology) architecture and provides an eight-lane PCI Express interface. The LSI Logic SAS integrated controller provides 1.5 and 3.0Gb/s SAS and SATA data transfer rates per port and enables Integrated RAID solutions in storage environments including servers, workstations, blade servers and external storage systems. The LSISAS1064E is ideal for today's data centers and leverages existing SCSI infrastructure for investment protection.

The LSISAS1064E complies with the PCI Express 1.0a specification and supports 8 PCI Express lanes at 2.5Gb/s, full duplex, for an aggregate bandwidth of up to 4GB/sec. The LSISAS1064E can be configured as a PCI Express x8, x4, or x1 device, supporting auto-negotiation among those link widths. For example, if the LSISAS1064E is configured for 8 lanes and is plugged into a x8 connector that is wired as a x4, the LSISAS1064E will automatically negotiate to a x4 link width. The PCI Express architecture is an industry standard high-performance, general-purpose serial I/O interconnect utilizing a cost-effective, low-pin count interface offering high bandwidth per pin. For investment protection and ease of development migration, it retains PCI compatibility by using the established PCI software programming models, thus facilitating a smooth transition to new hardware while allowing software to evolve to take advantage of PCI Express features.

APPLICATIONS

- Entry-level servers
 - 1U/2U rack mount servers
 - Blade servers
- Mid-range, high-end servers
- Workstations
- Storage subsystems

FEATURES

- Supports 8 PCI Express lanes at a transfer rate up to 2.5Gb/s per lane, full duplex
- Automatically negotiates PCI Express link widths
 - Supports x8, x4, x1 link widths
- Supports PCI Express hot plug
- Power management support
- PCI Express software is compatible with PCI and PCI-X software
- 4-port SAS/SATA controller
- Supports 2, 3, or 4 PHY wide SAS port configurations
- Supports 1.5 and 3.0Gb/s SAS and SATA data transfer rates
- Port independent auto-negotiation
- Compatible with SATA target devices
- Supports SSP, SMP, STP, and SATA protocols
- Supports SGPIO (SFF-8485)
- Flash and local memory interface



LSISAS1064E

4-Port PCI Express to 3Gb/s SAS Controller

FUSION-MPT ARCHITECTURE

LSI Logic's Fusion-MPT architecture provides unparalleled performance, binary compatibility of host software with LSI Logic's Ultra320 SCSI, Serial Attached SCSI, and Fibre Channel products, and significantly reduces software development time. With advanced architecture, the LSI Logic product family can be quickly adapted to respond to emerging I/O interfaces.

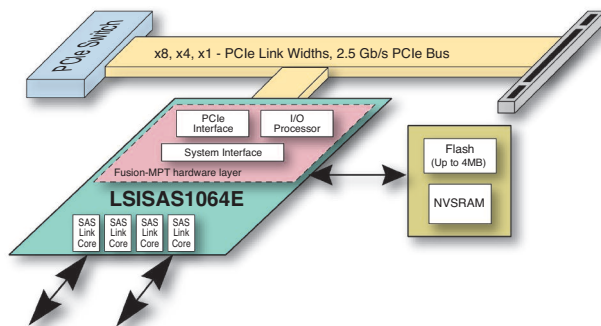


Figure 1. SAS Controller Block Diagram

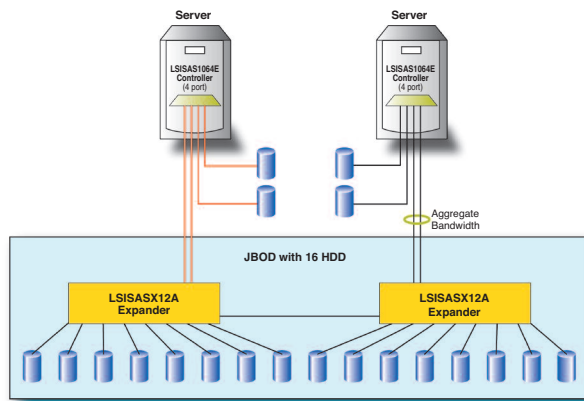


Figure 2. SAS Topology Offers Flexible Link Configuration and Redundancy

FEATURES (Continued)

- RAID Levels
 - Integrated Mirroring™ and Integrated Striping
- GigaBlaze® integrated transceivers
- Fusion-MPT architecture
- Gflx™ technology
- 636 EPBGA package

OS SUPPORT

- Windows® Server 2003
- Windows® 2000
- Windows® XP
- Linux® Red Hat, SUSE Enterprise Editions
- Solaris SPARC™ 9.X
- NetWare®
- SCO – UnixWare® and Open Server

For more information please visit the LSI Logic web site at:

<http://lsilogic.com/storage>

<http://adapters.lsilogic.com>

<http://www.lsilogic.com/sas>

Technical Support

Tel: 800 633 4545

LSI Logic Corporation

North American Headquarters
Milpitas, CA

Tel: 866 574 5741 (within U.S.)
408 954 3108 (outside U.S.)

LSI Logic Europe Ltd.

European Headquarters
United Kingdom
Tel: 44 1344 413200

LSI Logic KK Headquarters

Tokyo, Japan
Tel: 81 3 5463 7165

ISO 9001 Certified

LSI Logic, the LSI Logic logo design, Fusion-MPT, Gflx, GigaBlaze and Integrated Mirroring are trademarks or registered trademarks of LSI Logic Corporation. ARM is a registered trademark of ARM Limited, used under license. All other brand and product names may be trademarks of their respective companies.

LSI Logic Corporation reserves the right to make changes to any products and services herein at any time without notice. LSI Logic does not assume any responsibility or liability arising out of the application or use of any product or service described herein, except as expressly agreed to in writing by LSI Logic; nor does the purchase, lease, or use of a product or service from LSI Logic convey a license under any patent rights, copyrights, trademark rights, or any other of the intellectual property rights of LSI Logic or of third parties.

Warranty

For more than 15 years, LSI Logic host adapters have been providing high-performance SCSI solutions to leading server, disk array and computer systems worldwide. Each host adapter carries a powerful chip built in LSI Logic's ISO 9001-certified fabrication facilities. Using only the highest quality components, LSI Logic host adapters are assembled and tested in world-class facilities to assure superior product reliability and performance. Because of stringent quality management programs, our host adapters carry a three-year limited warranty.

Copyright ©2005 by LSI Logic Corporation.
All rights reserved.

Order No. S20163
12/05 – Printed in USA.

