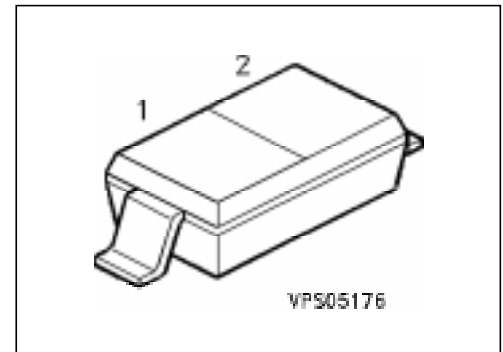


Features

- Extended frequency range up to 2.5 GHz; special design for use in TV-SAT indoor units
- High capacitance ratio



Type	Ordering Code (tape and reel)	Pin Configuration			Marking	Package
		1		2		
BB 833	Q62702-B628	C		A	white X	SOD-323

Maximum Ratings

Parameter	Symbol	Values	Unit
Reverse voltage	V_R	30	V
Reverse voltage ($R \geq 5 \text{ k}\Omega$)	V_{RM}	35	
Forward current	I_F	20	mA
Operating temperature range	T_{op}	- 55 ... + 150	°C
Storage temperature range	T_{stg}	- 55 ... + 150	

Thermal Resistance

Junction - ambient	$R_{th JA}$	≤ 450	K/W
--------------------	-------------	------------	-----

Electrical Characteristics

at $T_A = 25\text{ °C}$, unless otherwise specified.

Parameter	Symbol	Values			Unit
		min.	typ.	max.	
Reverse current $V_R = 30\text{ V}$ $V_R = 30\text{ V}, T_A = 85\text{ °C}$	I_R	– –	– –	20 500	nA
Diode capacitance $f = 1\text{ MHz}, V_R = 1\text{ V}$ $V_R = 28\text{ V}$	C_T	8.5 0.6	9.3 0.75	10 0.9	pF
Capacitance ratio $f = 1\text{ MHz}, V_R = 1\text{ V}, 28\text{ V}$	$\frac{C_{T1}}{C_{T28}}$	11	12.4	–	–
Capacitance matching $f = 1\text{ MHz}, V_R = 1\text{ V} \dots 28\text{ V}$	$\frac{\Delta C_T}{C_T}$	–	–	3	%
Series resistance $C_T = 9\text{ pF}, f = 470\text{ MHz}$	r_s	–	1.8	–	Ω
Series inductance	L_s	–	–	–	nH

Diode capacitance $C_T = f(V_R)$

$f = 1\text{ MHz}$

