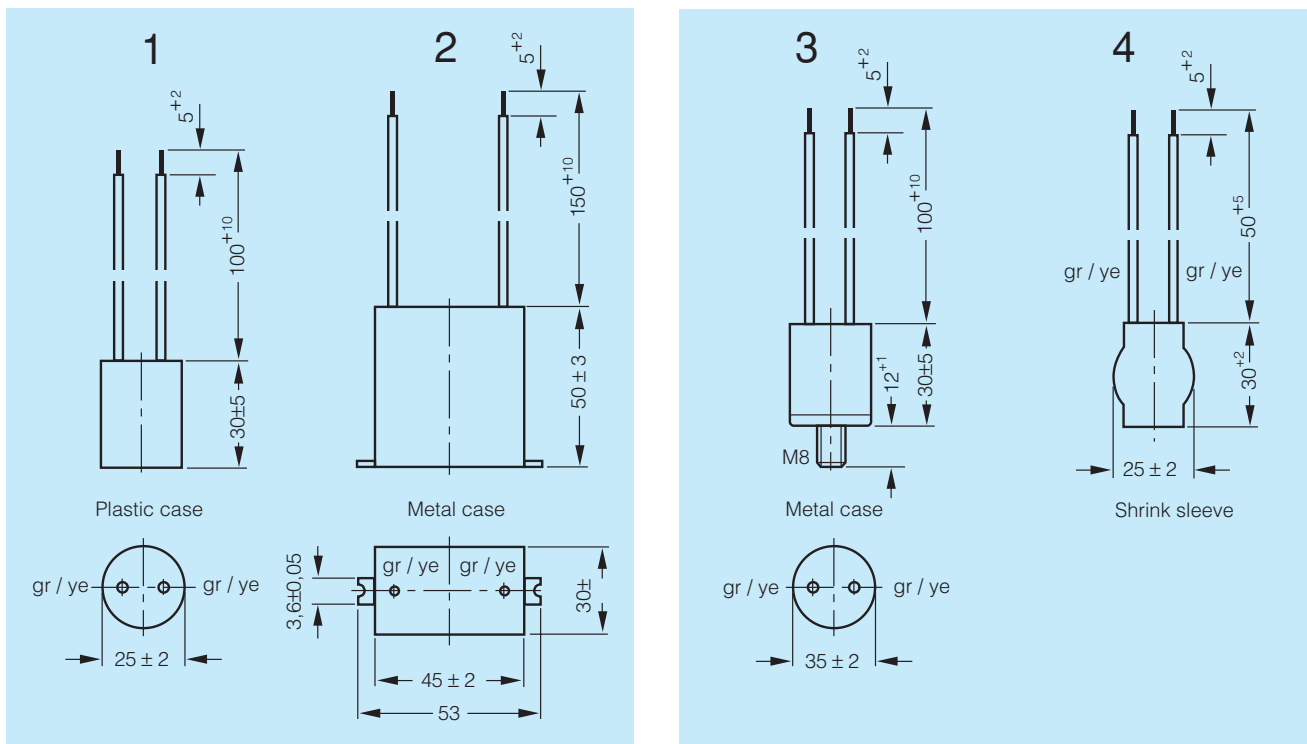


**Non Fused Earthed Inductors
(acc. to German Safety Regulations)**

F 1755

Technical Data:
See page 126

Circuit Diagramm:



Note:

Due to safety requirements the wire size must be the same (or bigger) than the wire size used as the earth lead in the appliance. According to VDE 0565 part 2, and VDE 0100 only the following are allowed:

- 1 mm² - 16 amps
- 1,5 mm² - 20 amps
- 2,5 mm² - 27 amps
- 4 mm² - 36 amps

These currents are non working currents - only according to wire cross section (VDE 0100).

Wire cross-section (mm ²)	Current (amps)	Inductance (mH)	Dimensional Diagram	Ordering Code
1,0	16	3,5	1	F 1755-235-212
1,0	16	4	4	F 1755-240-001*
1,5	20	1	1	F 1755-210-212
1,5	20	1	4	F 1755-210-001*
1,5	20	3,5	3	F 1755-235-312
2,5	27	1,5	3	F 1755-215-312
2,5	27	3,5	2	F 1755-235-512
4,0	36	1,5	2	F 1755-215-512

* without VDE Approval

Non Fused Earthed Inductors

F 1755

Impedance (Z) as a function of frequency (f) at $T_a = 20\text{ °C}$ (Average)

