

# MAXIM

## MAX1543 Evaluation Kit

**Evaluates: MAX1542/MAX1543**

### General Description

The MAX1543 evaluation kit (EV kit) is a fully assembled and tested surface-mount circuit board that provides the voltages and features required for active-matrix, thin-film transistor (TFT) liquid-crystal displays (LCDs). The EV kit contains a step-up switching regulator, a positive two-stage charge pump for the TFT gate-on supply, and a negative single-stage charge pump for the TFT gate-off supply. Also included are two operational amplifiers that can be used to drive the LCD backplane (VCOM) or the gamma-correction divider string, and a logic-controlled, high-voltage switch with adjustable delay. The EV kit also evaluates the MAX1542 after IC replacement.

The EV kit operates from a DC supply voltage of +2.6V to +5.5V. The step-up switching regulator is configured for a +8V output providing at least 250mA. The positive charge pump is configured for a +22V output providing at least 20mA. The negative charge pump is configured for a -7V output providing at least 20mA. The two operational amplifiers are both configured for +4V, each capable of providing up to  $\pm 150$ mA peak. The high-voltage switch can be used to delay the startup of the positive charge pump's output. The delay time is set with an external capacitor.

The MAX1543 EV kit demonstrates low quiescent current and high efficiency (85%) for maximum battery life. Operation at 1.2MHz allows the use of tiny surface-mount components. The MAX1543 QFN package (0.8mm maximum height) with low-profile external components allows this circuit to be less than 1.25mm high.

### Component List

DESIGNATION	QTY	DESCRIPTION
C2, C7, C8, C9	0	Capacitors (0603), not installed
C3	1	10 $\mu$ F $\pm 10\%$ , 6.3V X5R ceramic capacitor (1206) TDK C3216X5R0J106K-0.85
C4, C5	2	4.7 $\mu$ F $\pm 10\%$ , 10V X5R ceramic capacitors (1210) TDK C3225X5R1A475K-1.15
C6	1	220pF $\pm 10\%$ , 50V X7R ceramic capacitor (0603) TDK C1608X7R1H221K
C10	1	0.033 $\mu$ F $\pm 10\%$ , 25V X7R ceramic capacitor (0603) TDK C1608X7R1E333K

### Features

- ◆ +2.6V to +5.5V Input Range
- ◆ Output Voltages
  - +8V Output at 300mA (3V Input Step-Up Switching Regulator)
  - +22V Output at 20mA (Positive Charge Pump)
  - 7V Output at 20mA (Negative Charge Pump)
  - +4V Output at  $\pm 150$ mA (Operational Amplifiers VOUT1 and VOUT2)
- ◆ Resistor-Adjustable Switching Regulator and Op-Amp Output Voltages
- ◆ Logic-Controlled, High-Voltage Switch with Adjustable Delay
- ◆ Greater than 85% Efficiency (Step-Up Switching Regulator)
- ◆ Selectable 600kHz/1.2MHz Step-Up Switching Frequency
- ◆ Low-Profile Surface-Mount Components
- ◆ Also Evaluates the MAX1542 (IC Replacement Required)
- ◆ Fully Assembled and Tested

### Ordering Information

PART	TEMP RANGE	IC PACKAGE
MAX1543EVKIT	0°C to +70°C	20 TQFN (5mm x 5mm x 0.8mm)

### Quick Start

The MAX1543 EV kit is fully assembled and tested. Follow these steps to verify board operation. **Do not turn on the power supply until all connections are completed.**

#### Recommended Equipment

- +2.6V to +5.5V, 2A DC power supply
- Voltmeter

#### Procedure

- 1) Verify there is no shunt across jumper JU1.
- 2) Verify there is a shunt installed across jumper JU2.
- 3) Connect the positive terminal of the power supply to the VIN pad. Connect the negative terminal of the power supply to the GND pad.
- 4) Turn on the power supply and verify the step-up switching regulator output (VMAIN) is +8V.

# MAX1543 Evaluation Kit

## Component List (continued)

DESIGNATION	QTY	DESCRIPTION
C11–C16, C18, C19	8	0.1 $\mu$ F $\pm$ 10%, 50V X7R ceramic capacitors (0603) TDK C1608X7R1H104K
C17	1	100 $\mu$ F $\pm$ 20%, 16V aluminum electrolytic capacitor (6.3mm x 5mm) Sanyo 16MV100UAX
D1	1	1A, 30V Schottky diode (S-flat) Toshiba CRS02
D2, D3, D4	3	200mA, 100V dual ultra-fast diodes (SOT23) Fairchild MMBD4148SE

DESIGNATION	QTY	DESCRIPTION
L1	1	4.7 $\mu$ H, 1.1A inductor Sumida CLS5D11HP-4R7
R1	1	169k $\Omega$ $\pm$ 1% resistor (0805)
R2	1	30.9k $\Omega$ $\pm$ 1% resistor (0805)
R3–R6	4	100k $\Omega$ $\pm$ 1% resistors (0805)
R7, R9, R18	3	100k $\Omega$ $\pm$ 5% resistors (0805)
R13–R17, R19	0	Resistors (0805), not installed
U1	1	MAX1543ETP (20-pin TQFN)
JU1, JU2	2	2-pin headers
None	2	Shunts (JU1, JU2)
None	1	MAX1543 PC board

## Component Suppliers

SUPPLIER	PHONE	FAX	WEBSITE
Fairchild	888-522-5372	N/A	www.fairchildsemi.com
Sanyo	619-661-6322	619-661-1055	www.sanyovideo.com
Sumida	847-545-6700	847-545-6720	www.sumida.com
TDK	847-803-6100	847-390-4405	www.component.tdk.com
Toshiba	949-455-2000	949-859-3963	www.toshiba.com/taec

**Note:** Please indicate that you are using the MAX1543 when contacting these component suppliers.

- Verify the gate-on supply (GON) is approximately +22V.
- Verify the gate-off supply (GOFF) is approximately -7V.
- Verify the operational amplifier output 1 (VOUT1) is +4V.
- Verify the operational amplifier output 2 (VOUT2) is +4V.
- Verify the high-voltage switch output (COM) is +22V.

For instructions on selecting the step-up switching regulator feedback and op-amp divider resistors for other output voltages, see the *Output Voltage Selection* section.

### Detailed Description

The MAX1543 EV kit contains a step-up switching regulator, a positive two-stage charge pump, a negative single-stage charge pump, two operational amplifiers, and a high-voltage switch matrix. The EV kit operates from a DC power supply between +2.6V and +5.5V that can provide at least 2A. The switching frequency is jumper

selectable between 600kHz and 1.2MHz. The EV kit also evaluates the MAX1542 after replacing IC U1.

As configured, the step-up switching regulator (VMAN) generates a +8V output and can provide at least 250mA from a +2.6V input. It also provides at least 300mA from a +3.0V input and 500mA from a +5V input. The step-up switching-regulator output voltage can be adjusted up to +13V with other feedback resistors (see the *Output-Voltage Selection* section).

The GON supply consists of two positive charge-pump stages to generate approximately +22V and can provide greater than 20mA. The GOFF supply consists of a single negative charge-pump stage to generate approximately -7V and can provide greater than 20mA.

The operational amplifier outputs, VOUT1 and VOUT2, are set to +4V and can source or sink approximately 150mA. These two outputs can be reconfigured to other voltages by changing the voltage-divider resistors (see the *Output-Voltage Selection* section).

The high-voltage switch between the SRC and COM pins can be used to delay the GON output startup. The GON voltage is connected to the source of the switch (SRC),

# MAX1543 Evaluation Kit

Evaluates: MAX1542/MAX1543

and the drain of the switch (COM) is used as an output. The startup delay time is set with an external capacitor at the DEL pin. Refer to the *Delay Control Circuit* section in the MAX1543 data sheet for information on setting the delay time.

The switch between the SRC and COM pins and the switch between the COM and DRN pins can be controlled by jumper JU2 or by external logic connected to the CTL pad. See Table 2 for switch states and refer to the *Delay Control Circuit* section in the MAX1543 data sheet for further information about the high-voltage switches connected to the COM pin.

The MAX1543 EV kit also evaluates the MAX1542. To evaluate the MAX1542, replace U1 with a MAX1542 IC (refer to the MAX1542/MAX1543 data sheet for specifications of the MAX1542).

## Jumper Selection

### Switching-Frequency Selection (FREQ)

The MAX1543 EV kit features an option to choose the step-up regulator switching frequency. Jumper JU1 selects the switching frequency. Table 1 lists the selectable jumper options. The EV kit is configured for 1.2MHz operation. Optimum performance at lower frequencies requires a larger inductor value (refer to the

**Table 1. Jumper JU1 Functions**

SHUNT LOCATION	FREQ PIN	MAX1543 EV KIT FREQUENCY
None (default)	Connected to VIN through R7	1.2MHz
Installed	Connected to GND	600kHz

**Table 2. Jumper JU2 Functions**

SHUNT LOCATION	CTL PIN	MAX1543 COM	MAX1542 COM
Installed (default)	Connected to VIN	COM connected to SRC (GON, +22V)	COM connected to SRC (GON, +22V)
None	Connected to PGND through R18	COM connected to DRN	COM disconnected from SRC (GON, +22V)
None	Connected to external logic	Logic low, COM connected to DRN; logic high, COM connected to SRC (GON, +22V)	Logic low, COM disconnected from SRC (GON, +22V); logic high, COM connected to SRC (GON, +22V)

*Inductor Selection* section in the MAX1542/MAX1543 data sheet).

### High-Voltage Switch Control (CTL)

The MAX1543 EV kit features an option to control the high-voltage switches between SRC, COM, and DRN on the MAX1543 or the high-voltage switch between SRC and COM on the MAX1542. Table 2 lists the selectable JU2 jumper options.

## Output-Voltage Selection

### Step-Up Switching-Regulator Output Voltage (VMAIN)

The MAX1543 EV kit's step-up switching-regulator output (VMAIN) is set to +8V by feedback resistors R1 and R2. To generate output voltages other than +8V (up to +13V), select different external voltage-divider resistors, R1 and R2. Note that changing the VMAIN voltage setting also changes the GON and GOFF charge-pump output voltages. Output capacitors C4 and C5 are rated for +10V. To set the output voltage greater than +10V, use higher voltage-rated capacitors. Refer to the *Main Step-Up Converter* and *Output Voltage* sections in the MAX1542/MAX1543 data sheet for instructions on selecting resistors R1 and R2.

### Operational-Amplifier Output Voltages (VOUT1 and VOUT2)

The MAX1543's operational amplifiers are configured as unity-gain buffers by the PC board traces shorting R14 between NEG1 and OUT1 and R16 between NEG2 and OUT2. The voltages at the noninverting inputs POS1 and POS2 are set to half of VMAIN by voltage-divider resistors (R3, R4) and (R5, R6), respectively. To set VOUT1 and VOUT2 to other voltages (up to VMAIN), select different divider resistors.

# MAX1543 Evaluation Kit

Evaluates: MAX1542/MAX1543

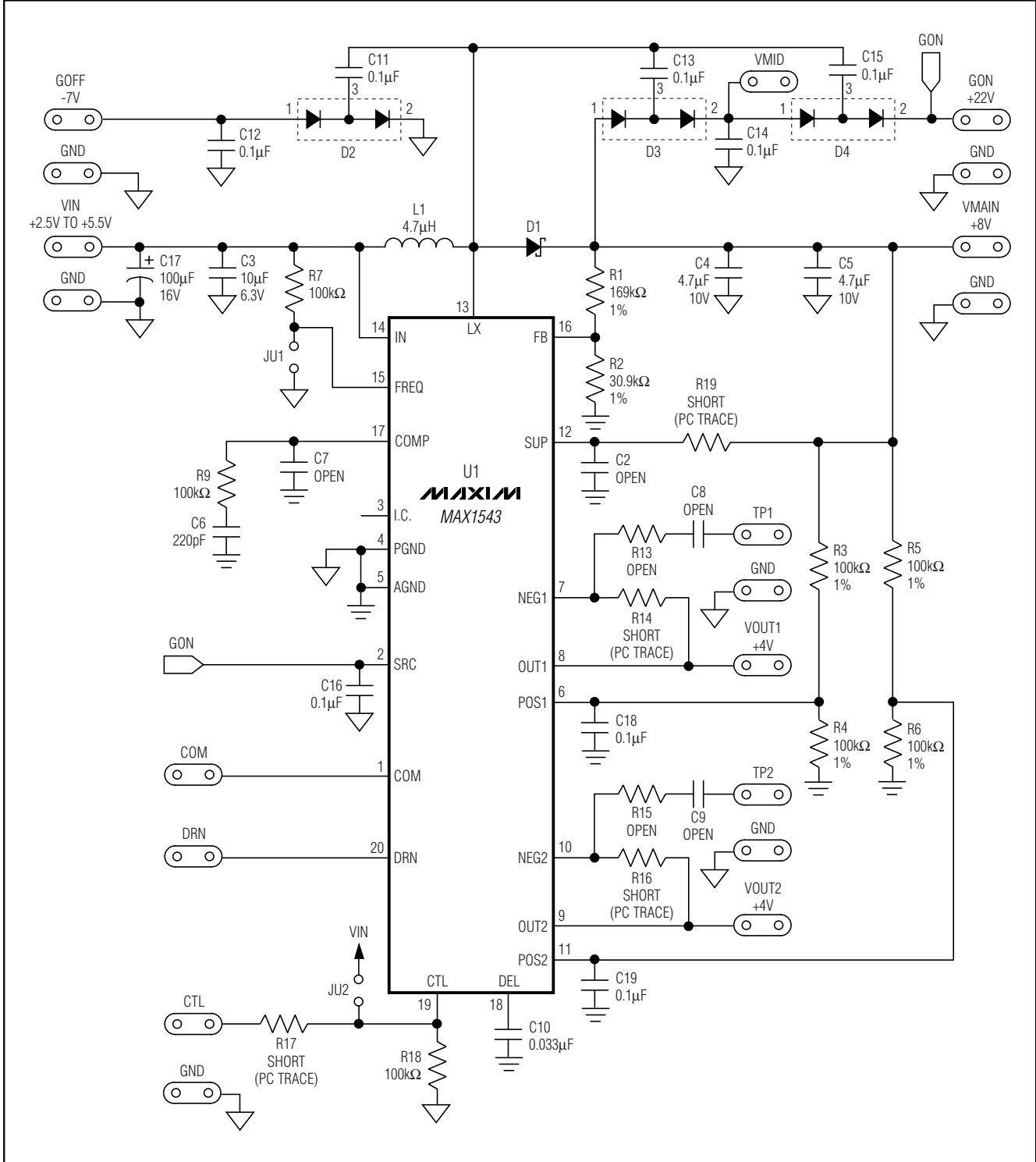


Figure 1. MAX1543 EV Kit Schematic

# MAX1543 Evaluation Kit

Evaluates: MAX1542/MAX1543

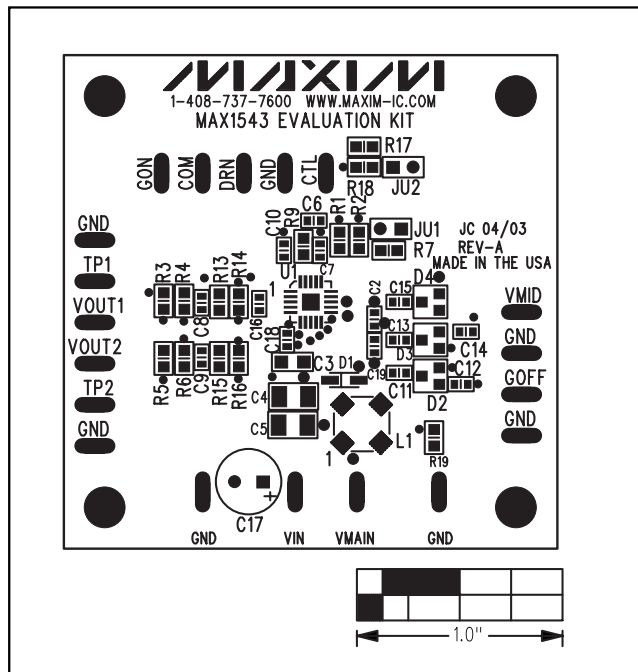


Figure 2. MAX1543 EV Kit Component Placement Guide—Component Side

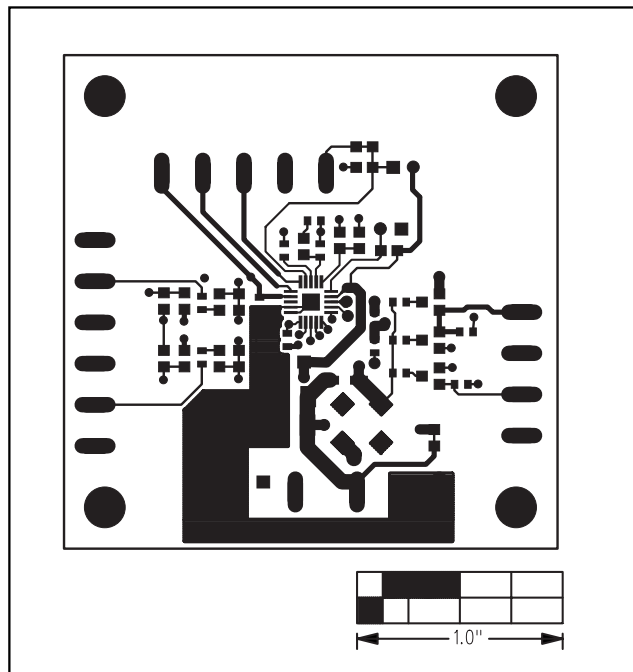


Figure 3. MAX1543 EV Kit PC Board Layout—Component Side

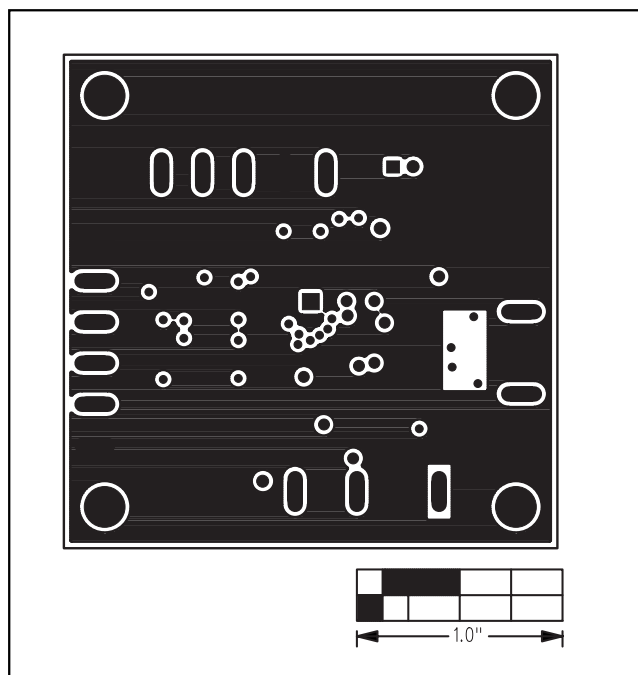


Figure 4. MAX1543 EV Kit PC Board Layout—GND Layer 2

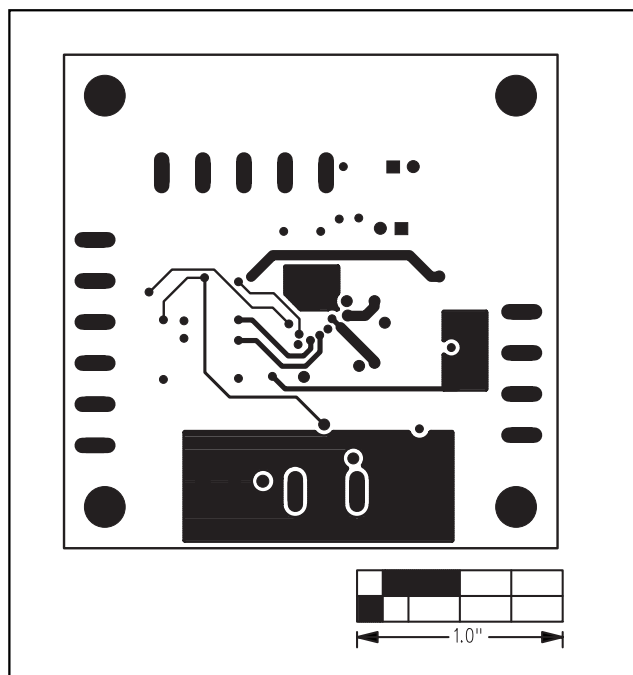


Figure 5. MAX1543 EV Kit PC Board Layout—VCC Layer 3

# MAX1543 Evaluation Kit

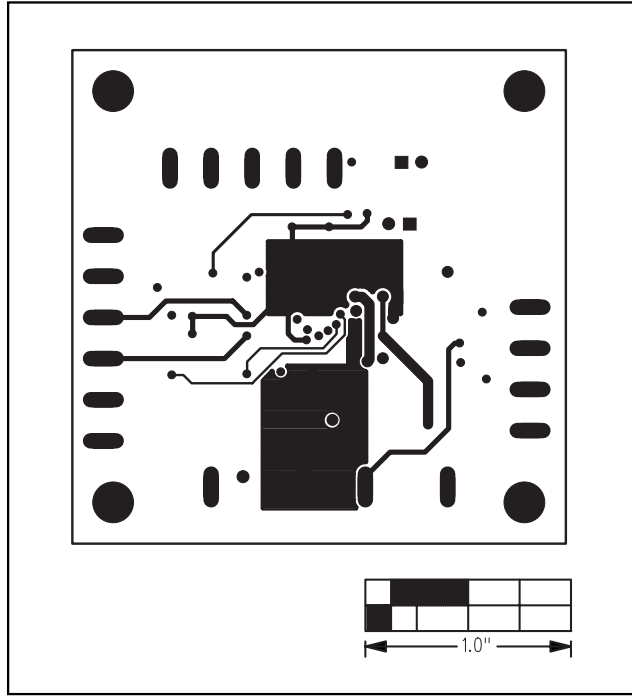


Figure 6. MAX1543 EV Kit PC Board Layout—Solder Side

Maxim cannot assume responsibility for use of any circuitry other than circuitry entirely embodied in a Maxim product. No circuit patent licenses are implied. Maxim reserves the right to change the circuitry and specifications without notice at any time.

6 \_\_\_\_\_ **Maxim Integrated Products, 120 San Gabriel Drive, Sunnyvale, CA 94086 408-737-7600**