

GENERAL SPECIFICATION

Item	Content
Number of Character	122x32
Module Size	59.0(W)x29.3(H)x5.5(D)mm Max
Viewing Area	52.0(W)x15.0(H)mm
Dot Size/Dot Pitch	0.345(W)x0.345(H)mm/0.375(W)x0.375(H)mm
Backlight	Without/LED
Options	Gray STN/Yellow STN, Extended Temperature, Bottom Viewing
Built-In Controller	SED1520DAA

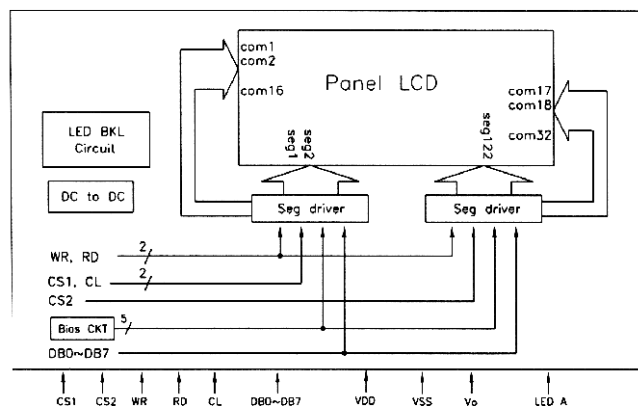
INTERFACE PIN ASSIGNMENT

Pin No.	Pin Out	Function Description
1	V _{SS}	GND
2	V _{DD}	Logic supply voltage
3	V _O	LCD driver supply voltage
4	A _O	Display Data/Display commands switching input. A ₀ =0: DB0-DB7 are command input and status output. A ₀ =1: DB0-DB7 are Display Data input/output.
5	CS1	Chip select signal for the left half of the screen. Active Low
6	CS2	Chip select signal for the right half of the screen. Active Low
7	CL	An external 2k Hz clock input.
8	/RD	Read, active Low for 80 series
9	/WR	Write, active Low for 80 series
10~17	DB0~DB7	3-state I/O data bus.
18	RES	Reset signal
19	LED A	Power supply for LED backlight
20	LED K	

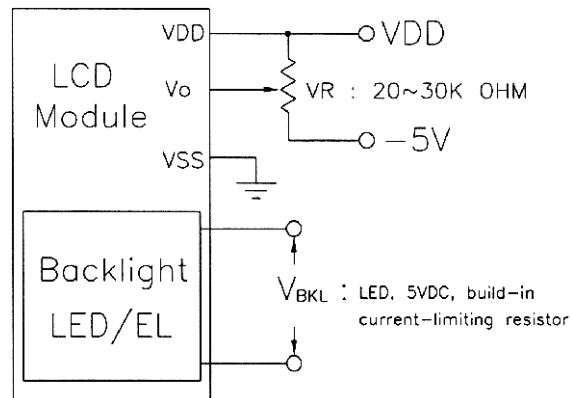
ELECTRICAL CHARACTERISTICS

Item	Symbol	Condition	Min.	Typ	Max.	Unit	note
Power Supply for Logic	V _{DD} -V _{SS}	-	2.4	5.0	7.0	Volt	-
Input Voltage	V _{IL}	L level	V _{SS}	0.2V _{DD}	-	Volt	-
	V _{IH}	H level	0.8V _{DD}	V _{DD}	-	Volt	
LCM Recommend LCD Module Driving Voltage	V _{DD} -V _O	T _a =0°C	-	-	-	Volt	-
		T _a =25°C	4.0	4.3	4.6		
		T _a =50°C	-	-	-		
Power Supply Current for LCM	I _{DD} (LED B/L OFF)	V _{DD} =5.0V V _{DD} -V _O =4.3V	-	0.6	1.1	mA	-
	I _{EE} (LED B/L ON)	FLM=64Hz V _{LED} =4.2V	-	45	60		

BLOCK DIAGRAM



POWER SUPPLY



MECHANICAL

