

Features

- Wideband: Frequency Range 5-2500MHz
- High IIP3: +20 dBm
- LO drive: +13dBm
- Industry standard surface mount package: S07

Description

The MXB-2501-13 are double double-balanced mixers designed for wideband up to 2.5GHz high dynamic range both up and down transceiver applications. Construction uses an industry standard surface mount package.

Specifications

Frequency Range: RF/LO 5-2500MHz, IF 5-1500MHz

Test Conditions: RF input -10dBm / LO +13dBm / IF 30MHz / Temp. +25°C

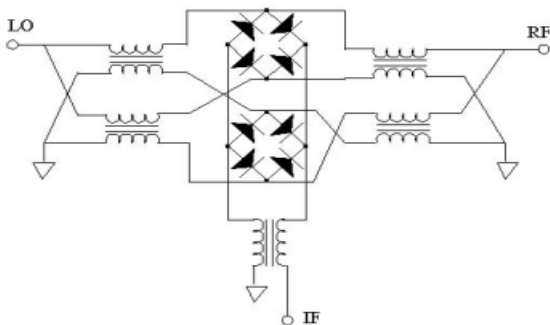
Parameter	Min.	Typ.	Max.	Notes
Conversion Loss(dB)				1. Specifications and information are subject to change without notice. 2. IIP3 is typical, not guaranteed 3. Package information see Package Page
5-1500 MHz		7	8.5	
1500-2500 MHz		8.5	10	
L-R Isolation(dB)				
5-1500MHz	23	30		
1500-2500 MHz	20	25		
L-I Isolation(dB)				
5-1500 MHz	25	32		
1500-2500MHz	17	25		
IIP3(dBm)		20		



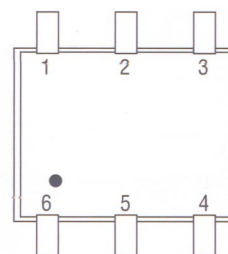
Absolute Maximum Ratings

Parameter	Max
RF input power	+20dBm
Operating Temp.(°C)	-50°C~+80°C
Storage Temp.(°C)	-65°C~+100°C
Reflow Temp (°C)	+240°C

Schematic



Pin functions



LO	Pin1
RF	Pin4
IF	Pin5
GND	Pin2,3,6