

# LM358, LM258, LM2904, LM2904A, LM2904V, NCV2904

## Single Supply Dual Operational Amplifiers

Utilizing the circuit designs perfected for Quad Operational Amplifiers, these dual operational amplifiers feature low power drain, a common mode input voltage range extending to ground/ $V_{EE}$ , and single supply or split supply operation. The LM358 series is equivalent to one-half of an LM324.

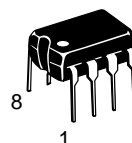
These amplifiers have several distinct advantages over standard operational amplifier types in single supply applications. They can operate at supply voltages as low as 3.0 V or as high as 32 V, with quiescent currents about one-fifth of those associated with the MC1741 (on a per amplifier basis). The common mode input range includes the negative supply, thereby eliminating the necessity for external biasing components in many applications. The output voltage range also includes the negative power supply voltage.

- Short Circuit Protected Outputs
- True Differential Input Stage
- Single Supply Operation: 3.0 V to 32 V (LM258/LM358)  
3.0 V to 26 V (LM2904, A, V)
- Low Input Bias Currents
- Internally Compensated
- Common Mode Range Extends to Negative Supply
- Single and Split Supply Operation
- ESD Clamps on the Inputs Increase Ruggedness of the Device without Affecting Operation



ON Semiconductor®

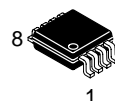
<http://onsemi.com>



PDIP-8  
N, AN, VN SUFFIX  
CASE 626

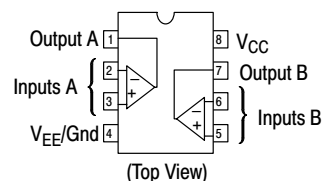


SO-8  
D, VD SUFFIX  
CASE 751



Micro8™  
DMR2 SUFFIX  
CASE 846A

### PIN CONNECTIONS



### ORDERING INFORMATION

See detailed ordering and shipping information in the package dimensions section on page 10 of this data sheet.

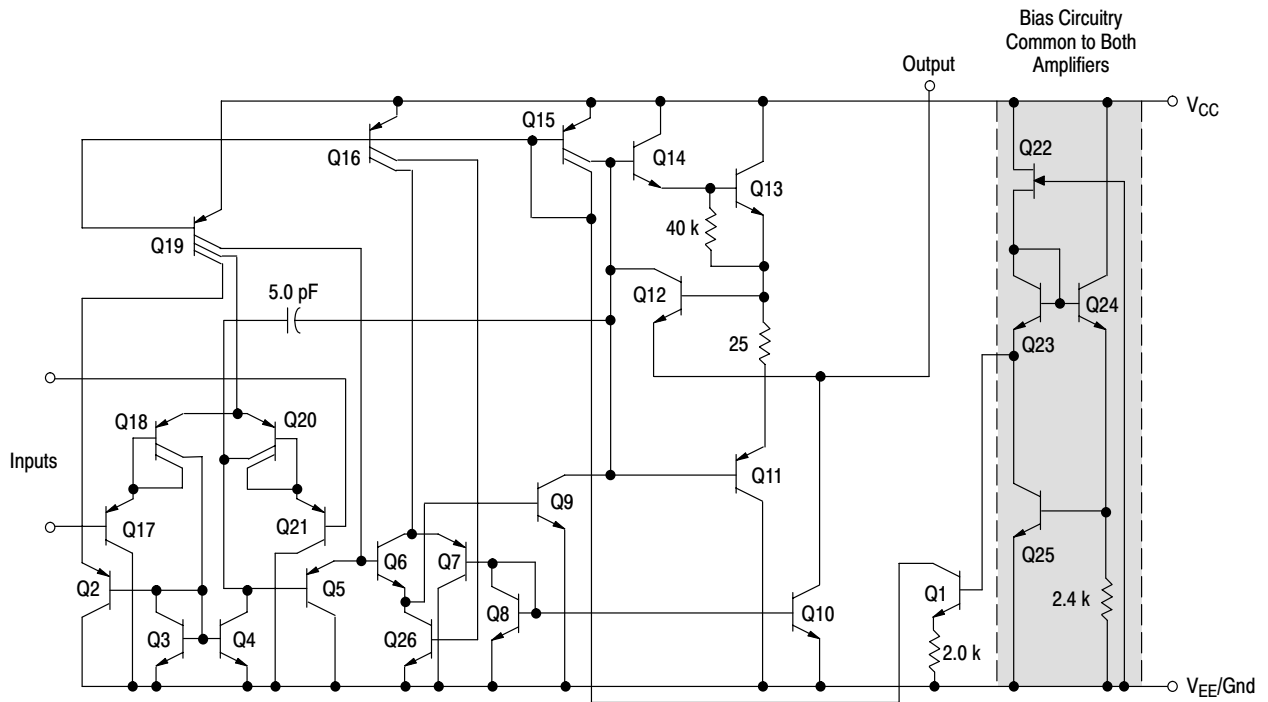
### DEVICE MARKING INFORMATION

See general marking information in the device marking section on page 11 of this data sheet.

**LM358, LM258, LM2904, LM2904A, LM2904V, NCV2904**



**Figure 1.**



**Figure 2. Representative Schematic Diagram  
(One-Half of Circuit Shown)**

# LM358, LM258, LM2904, LM2904A, LM2904V, NCV2904

**MAXIMUM RATINGS** ( $T_A = +25^\circ\text{C}$ , unless otherwise noted.)

| Rating   | Symbol                       | LM258<br>LM358                   | LM2904, LM2904A<br>LM2904V, NCV2904  | Unit               |
|--|------------------------------|----------------------------------|--------------------------------------|--------------------|
| Power Supply Voltages<br>Single Supply<br>Split Supplies   | $V_{CC}$<br>$V_{CC}, V_{EE}$ | 32<br>$\pm 16$                   | 26<br>$\pm 13$                       | Vdc                |
| Input Differential Voltage Range (Note 1)  | $V_{IDR}$                    | $\pm 32$                         | $\pm 26$                             | Vdc                |
| Input Common Mode Voltage Range (Note 2)   | $V_{ICR}$                    | -0.3 to 32                       | -0.3 to 26                           | Vdc                |
| Output Short Circuit Duration  | $t_{SC}$                     | Continuous                       |                                      |                    |
| Junction Temperature   | $T_J$                        | 150                              |                                      | $^\circ\text{C}$   |
| Thermal Resistance, Junction-to-Air (Note 3)   | $R_{\theta JA}$              | 238                              |                                      | $^\circ\text{C/W}$ |
| Storage Temperature Range  | $T_{stg}$                    | -55 to +125                      |                                      | $^\circ\text{C}$   |
| ESD Tolerance – Human Body Model (Note 4)  | –                            | 2000                             |                                      | V                  |
| Operating Ambient Temperature Range<br>LM258<br>LM358<br>LM2904/LM2904A<br>LM2904V, NCV2904 (Note 5) | $T_A$                        | -25 to +85<br>0 to +70<br>–<br>– | –<br>–<br>-40 to +105<br>-40 to +125 | $^\circ\text{C}$   |

1. Split Power Supplies.
2. For Supply Voltages less than 32 V for the LM258/358 and 26 V for the LM2904, A, V, the absolute maximum input voltage is equal to the supply voltage.
3.  $R_{\theta JA}$  for Case 846A.
4. ESD data available upon request.
5. *NCV2904 is qualified for automotive use.*

# LM358, LM258, LM2904, LM2904A, LM2904V, NCV2904

## ELECTRICAL CHARACTERISTICS (V<sub>CC</sub> = 5.0 V, V<sub>EE</sub> = Gnd, T<sub>A</sub> = 25°C, unless otherwise noted.)

| Characteristic   | Symbol               | LM258           |                |                 | LM358           |                |                 | Unit     |
|--|----------------------|-----------------|----------------|-----------------|-----------------|----------------|-----------------|----------|
|  |                      | Min             | Typ            | Max             | Min             | Typ            | Max             |          |
| Input Offset Voltage<br>V <sub>CC</sub> = 5.0 V to 30 V (26 V for LM2904, V),<br>V <sub>IC</sub> = 0 V to V <sub>CC</sub> - 1.7 V, V <sub>O</sub> ≈ 1.4 V, R <sub>S</sub> = 0 Ω<br>T <sub>A</sub> = 25°C<br>T <sub>A</sub> = T <sub>high</sub> (Note 6)<br>T <sub>A</sub> = T <sub>low</sub> (Note 6)                  | V <sub>IO</sub>      | –               | 2.0            | 5.0             | –               | 2.0            | 7.0             | mV       |
| Average Temperature Coefficient of Input Offset Voltage<br>T <sub>A</sub> = T <sub>high</sub> to T <sub>low</sub> (Note 6)   | ΔV <sub>IO</sub> /ΔT | –               | 7.0            | –               | –               | 7.0            | –               | μV/°C    |
| Input Offset Current<br>T <sub>A</sub> = T <sub>high</sub> to T <sub>low</sub> (Note 6)  | I <sub>IO</sub>      | –               | 3.0            | 30              | –               | 5.0            | 50              | nA       |
| Input Bias Current<br>T <sub>A</sub> = T <sub>high</sub> to T <sub>low</sub> (Note 6)  | I <sub>IB</sub>      | –               | –45            | –150            | –               | –45            | –250            | nA       |
| Average Temperature Coefficient of Input Offset Current<br>T <sub>A</sub> = T <sub>high</sub> to T <sub>low</sub> (Note 6)   | ΔI <sub>IO</sub> /ΔT | –               | 10             | –               | –               | 10             | –               | pA/°C    |
| Input Common Mode Voltage Range (Note 7),<br>V <sub>CC</sub> = 30 V<br>(26 V for LM2904, V)<br>V <sub>CC</sub> = 30 V (26 V for LM2904, V),<br>T <sub>A</sub> = T <sub>high</sub> to T <sub>low</sub>  | V <sub>ICR</sub>     | 0               | –              | 28.3            | 0               | –              | 28.3            | V        |
| Differential Input Voltage Range   | V <sub>IDR</sub>     | –               | –              | V <sub>CC</sub> | –               | –              | V <sub>CC</sub> | V        |
| Large Signal Open Loop Voltage Gain<br>R <sub>L</sub> = 2.0 kΩ, V <sub>CC</sub> = 15 V, For Large V <sub>O</sub> Swing,<br>T <sub>A</sub> = T <sub>high</sub> to T <sub>low</sub> (Note 6)   | A <sub>VOL</sub>     | 50<br>25        | 100<br>–       | –<br>–          | 25<br>15        | 100<br>–       | –<br>–          | V/mV     |
| Channel Separation<br>1.0 kHz ≤ f ≤ 20 kHz, Input Referenced   | CS                   | –               | –120           | –               | –               | –120           | –               | dB       |
| Common Mode Rejection<br>R <sub>S</sub> ≤ 10 kΩ  | CMR                  | 70              | 85             | –               | 65              | 70             | –               | dB       |
| Power Supply Rejection   | PSR                  | 65              | 100            | –               | 65              | 100            | –               | dB       |
| Output Voltage—High Limit<br>T <sub>A</sub> = T <sub>high</sub> to T <sub>low</sub> (Note 6)<br>V <sub>CC</sub> = 5.0 V, R <sub>L</sub> = 2.0 kΩ, T <sub>A</sub> = 25°C<br>V <sub>CC</sub> = 30 V (26 V for LM2904, V), R <sub>L</sub> = 2.0 kΩ<br>V <sub>CC</sub> = 30 V (26 V for LM2904, V), R <sub>L</sub> = 10 kΩ | V <sub>OH</sub>      | 3.3<br>26<br>27 | 3.5<br>–<br>28 | –<br>–<br>–     | 3.3<br>26<br>27 | 3.5<br>–<br>28 | –<br>–<br>–     | V        |
| Output Voltage—Low Limit<br>V <sub>CC</sub> = 5.0 V, R <sub>L</sub> = 10 kΩ,<br>T <sub>A</sub> = T <sub>high</sub> to T <sub>low</sub> (Note 6)  | V <sub>OL</sub>      | –               | 5.0            | 20              | –               | 5.0            | 20              | mV       |
| Output Source Current<br>V <sub>ID</sub> = +1.0 V, V <sub>CC</sub> = 15 V  | I <sub>O+</sub>      | 20              | 40             | –               | 20              | 40             | –               | mA       |
| Output Sink Current<br>V <sub>ID</sub> = –1.0 V, V <sub>CC</sub> = 15 V<br>V <sub>ID</sub> = –1.0 V, V <sub>O</sub> = 200 mV   | I <sub>O–</sub>      | 10<br>12        | 20<br>50       | –<br>–          | 10<br>12        | 20<br>50       | –<br>–          | mA<br>μA |
| Output Short Circuit to Ground (Note 8)  | I <sub>SC</sub>      | –               | 40             | 60              | –               | 40             | 60              | mA       |
| Power Supply Current (Total Device)<br>T <sub>A</sub> = T <sub>high</sub> to T <sub>low</sub> (Note 6)<br>V <sub>CC</sub> = 30 V (26 V for LM2904, V), V <sub>O</sub> = 0 V, R <sub>L</sub> = ∞<br>V <sub>CC</sub> = 5 V, V <sub>O</sub> = 0 V, R <sub>L</sub> = ∞   | I <sub>CC</sub>      | –<br>–          | 1.5<br>0.7     | 3.0<br>1.2      | –<br>–          | 1.5<br>0.7     | 3.0<br>1.2      | mA       |

6. LM258: T<sub>low</sub> = –25°C, T<sub>high</sub> = +85°C

LM2904/LM2904A: T<sub>low</sub> = –40°C, T<sub>high</sub> = +105°C

NCV2904 is qualified for automotive use.

LM358: T<sub>low</sub> = 0°C, T<sub>high</sub> = +70°C

LM2904V & NCV2904: T<sub>low</sub> = –40°C, T<sub>high</sub> = +125°C

7. The input common mode voltage or either input signal voltage should not be allowed to go negative by more than 0.3 V. The upper end of the common mode voltage range is V<sub>CC</sub> – 1.7 V.

8. Short circuits from the output to V<sub>CC</sub> can cause excessive heating and eventual destruction. Destructive dissipation can result from simultaneous shorts on all amplifiers.

# LM358, LM258, LM2904, LM2904A, LM2904V, NCV2904

## ELECTRICAL CHARACTERISTICS ( $V_{CC} = 5.0\text{ V}$ , $V_{EE} = \text{Gnd}$ , $T_A = 25^\circ\text{C}$ , unless otherwise noted.)

| Characteristic  | Symbol                   | LM2904 |      |          | LM2904A |      |          | LM2904V, NCV2904 |      |          | Unit                         |
|---|--------------------------|--------|------|----------|---------|------|----------|------------------|------|----------|------------------------------|
|   |                          | Min    | Typ  | Max      | Min     | Typ  | Max      | Min              | Typ  | Max      |                              |
| Input Offset Voltage<br>$V_{CC} = 5.0\text{ V}$ to $30\text{ V}$ (26 V for LM2904, V),<br>$V_{IC} = 0\text{ V}$ to $V_{CC} - 1.7\text{ V}$ , $V_O = 1.4\text{ V}$ , $R_S = 0\ \Omega$<br>$T_A = 25^\circ\text{C}$<br>$T_A = T_{\text{high}}$ (Note 9)<br>$T_A = T_{\text{low}}$ (Note 9)                                  | $V_{IO}$                 | –      | 2.0  | 7.0      | –       | 2.0  | 7.0      | –                | –    | 7.0      | mV                           |
| Average Temperature Coefficient of Input Offset Voltage<br>$T_A = T_{\text{high}}$ to $T_{\text{low}}$ (Note 9)   | $\Delta V_{IO}/\Delta T$ | –      | 7.0  | –        | –       | 7.0  | –        | –                | 7.0  | –        | $\mu\text{V}/^\circ\text{C}$ |
| Input Offset Current<br>$T_A = T_{\text{high}}$ to $T_{\text{low}}$ (Note 9)  | $I_{IO}$                 | –      | 5.0  | 50       | –       | 5.0  | 50       | –                | 5.0  | 50       | nA                           |
| Input Bias Current<br>$T_A = T_{\text{high}}$ to $T_{\text{low}}$ (Note 9)  | $I_{IB}$                 | –      | –45  | –250     | –       | –45  | –100     | –                | –45  | –250     | nA                           |
| Average Temperature Coefficient of Input Offset Current<br>$T_A = T_{\text{high}}$ to $T_{\text{low}}$ (Note 9)   | $\Delta I_{IO}/\Delta T$ | –      | 10   | –        | –       | 10   | –        | –                | 10   | –        | $\text{pA}/^\circ\text{C}$   |
| Input Common Mode Voltage Range (Note 10),<br>$V_{CC} = 30\text{ V}$ (26 V for LM2904, V)<br>$V_{CC} = 30\text{ V}$ (26 V for LM2904, V),<br>$T_A = T_{\text{high}}$ to $T_{\text{low}}$  | $V_{ICR}$                | 0      | –    | 24.3     | 0       | –    | 24.3     | 0                | –    | 24.3     | V                            |
| Differential Input Voltage Range  | $V_{IDR}$                | –      | –    | $V_{CC}$ | –       | –    | $V_{CC}$ | –                | –    | $V_{CC}$ | V                            |
| Large Signal Open Loop Voltage Gain<br>$R_L = 2.0\text{ k}\Omega$ , $V_{CC} = 15\text{ V}$ , For Large $V_O$ Swing,<br>$T_A = T_{\text{high}}$ to $T_{\text{low}}$ (Note 9)   | $A_{VOL}$                | 25     | 100  | –        | 25      | 100  | –        | 25               | 100  | –        | V/mV                         |
| Channel Separation<br>$1.0\text{ kHz} \leq f \leq 20\text{ kHz}$ , Input Referenced   | CS                       | –      | –120 | –        | –       | –120 | –        | –                | –120 | –        | dB                           |
| Common Mode Rejection<br>$R_S \leq 10\text{ k}\Omega$   | CMR                      | 50     | 70   | –        | 50      | 70   | –        | 50               | 70   | –        | dB                           |
| Power Supply Rejection  | PSR                      | 50     | 100  | –        | 50      | 100  | –        | 50               | 100  | –        | dB                           |
| Output Voltage–High Limit<br>$T_A = T_{\text{high}}$ to $T_{\text{low}}$ (Note 9)<br>$V_{CC} = 5.0\text{ V}$ , $R_L = 2.0\text{ k}\Omega$ , $T_A = 25^\circ\text{C}$<br>$V_{CC} = 30\text{ V}$ (26 V for LM2904, V), $R_L = 2.0\text{ k}\Omega$<br>$V_{CC} = 30\text{ V}$ (26 V for LM2904, V), $R_L = 10\text{ k}\Omega$ | $V_{OH}$                 | 3.3    | 3.5  | –        | 3.3     | 3.5  | –        | 3.3              | 3.5  | –        | V                            |
| Output Voltage–Low Limit<br>$V_{CC} = 5.0\text{ V}$ , $R_L = 10\text{ k}\Omega$ ,<br>$T_A = T_{\text{high}}$ to $T_{\text{low}}$ (Note 9)   | $V_{OL}$                 | –      | 5.0  | 20       | –       | 5.0  | 20       | –                | 5.0  | 20       | mV                           |
| Output Source Current<br>$V_{ID} = +1.0\text{ V}$ , $V_{CC} = 15\text{ V}$  | $I_{O+}$                 | 20     | 40   | –        | 20      | 40   | –        | 20               | 40   | –        | mA                           |
| Output Sink Current<br>$V_{ID} = -1.0\text{ V}$ , $V_{CC} = 15\text{ V}$<br>$V_{ID} = -1.0\text{ V}$ , $V_O = 200\text{ mV}$  | $I_{O-}$                 | 10     | 20   | –        | 10      | 20   | –        | 10               | 20   | –        | mA                           |
| Output Short Circuit to Ground (Note 11)  | $I_{SC}$                 | –      | 40   | 60       | –       | 40   | 60       | –                | 40   | 60       | mA                           |
| Power Supply Current (Total Device)<br>$T_A = T_{\text{high}}$ to $T_{\text{low}}$ (Note 9)<br>$V_{CC} = 30\text{ V}$ (26 V for LM2904, V), $V_O = 0\text{ V}$ ,<br>$R_L = \infty$<br>$V_{CC} = 5\text{ V}$ , $V_O = 0\text{ V}$ , $R_L = \infty$   | $I_{CC}$                 | –      | 1.5  | 3.0      | –       | 1.5  | 3.0      | –                | 1.5  | 3.0      | mA                           |

9. LM258:  $T_{\text{low}} = -25^\circ\text{C}$ ,  $T_{\text{high}} = +85^\circ\text{C}$

LM2904/LM2904A:  $T_{\text{low}} = -40^\circ\text{C}$ ,  $T_{\text{high}} = +105^\circ\text{C}$

NCV2904 is qualified for automotive use.

LM358:  $T_{\text{low}} = 0^\circ\text{C}$ ,  $T_{\text{high}} = +70^\circ\text{C}$

LM2904V & NCV2904:  $T_{\text{low}} = -40^\circ\text{C}$ ,  $T_{\text{high}} = +125^\circ\text{C}$

10. The input common mode voltage or either input signal voltage should not be allowed to go negative by more than 0.3 V. The upper end of the common mode voltage range is  $V_{CC} - 1.7\text{ V}$ .

11. Short circuits from the output to  $V_{CC}$  can cause excessive heating and eventual destruction. Destructive dissipation can result from simultaneous shorts on all amplifiers.

CIRCUIT DESCRIPTION

The LM358 series is made using two internally compensated, two-stage operational amplifiers. The first stage of each consists of differential input devices Q20 and Q18 with input buffer transistors Q21 and Q17 and the differential to single ended converter Q3 and Q4. The first stage performs not only the first stage gain function but also performs the level shifting and transconductance reduction functions. By reducing the transconductance, a smaller compensation capacitor (only 5.0 pF) can be employed, thus saving chip area. The transconductance reduction is accomplished by splitting the collectors of Q20 and Q18. Another feature of this input stage is that the input common mode range can include the negative supply or ground, in single supply operation, without saturating either the input devices or the differential to single-ended converter. The second stage consists of a standard current source load amplifier stage.

Each amplifier is biased from an internal-voltage regulator which has a low temperature coefficient thus giving each amplifier good temperature characteristics as well as excellent power supply rejection.

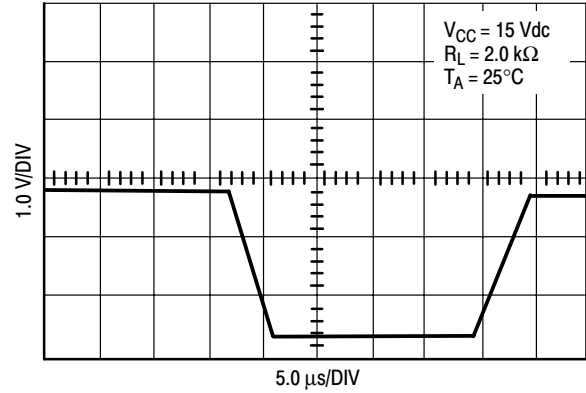


Figure 3. Large Signal Voltage Follower Response

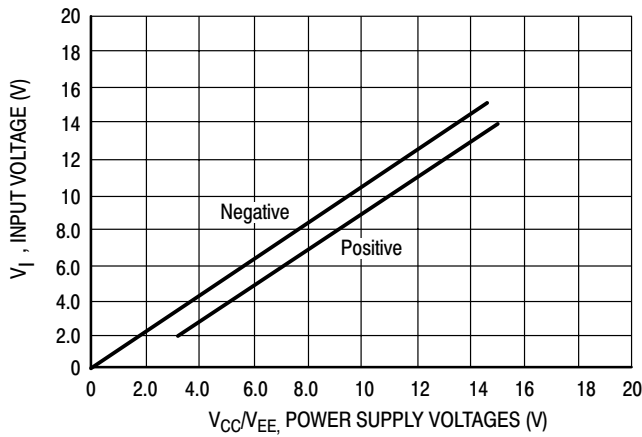


Figure 4. Input Voltage Range

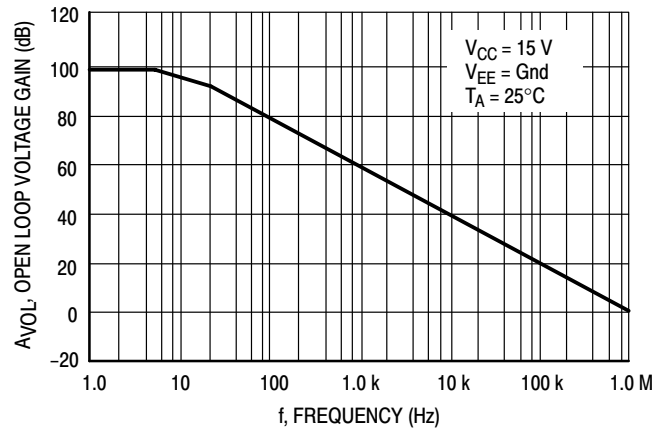


Figure 5. Large-Signal Open Loop Voltage Gain

LM358, LM258, LM2904, LM2904A, LM2904V, NCV2904

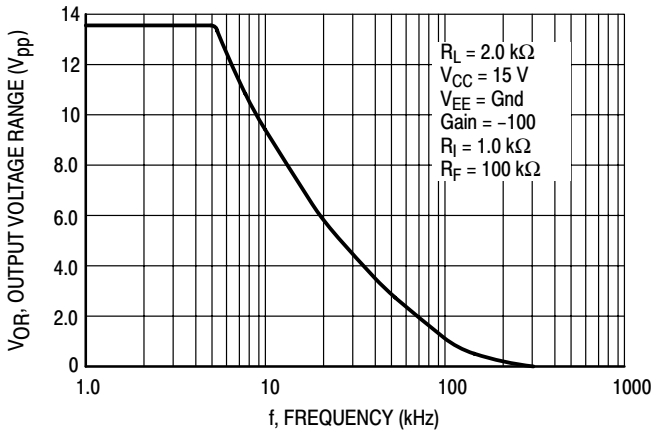


Figure 6. Large-Signal Frequency Response

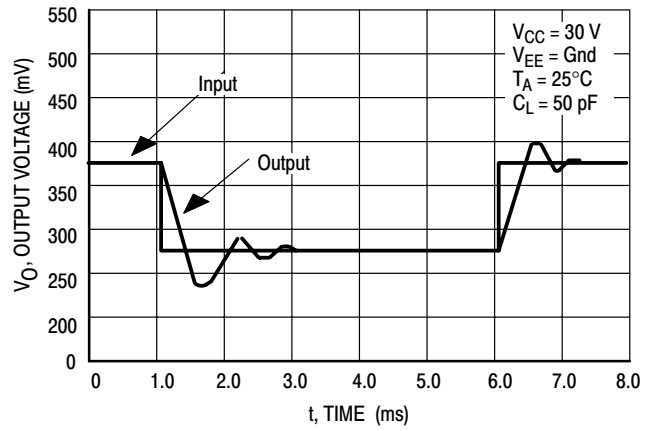


Figure 7. Small Signal Voltage Follower Pulse Response (Noninverting)

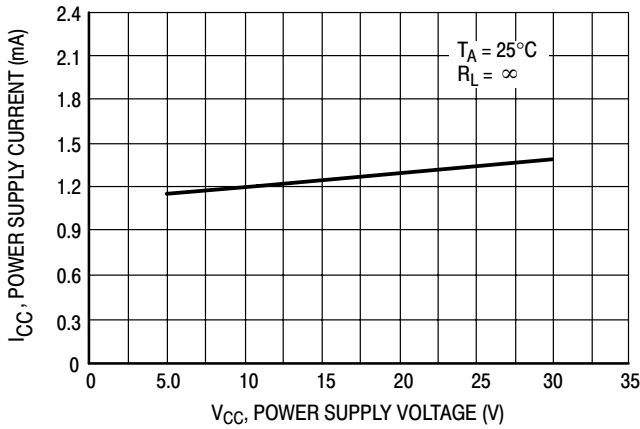


Figure 8. Power Supply Current versus Power Supply Voltage

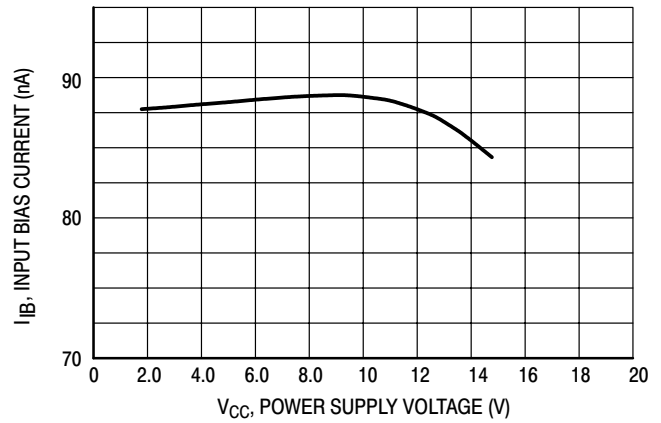


Figure 9. Input Bias Current versus Supply Voltage

# LM358, LM258, LM2904, LM2904A, LM2904V, NCV2904

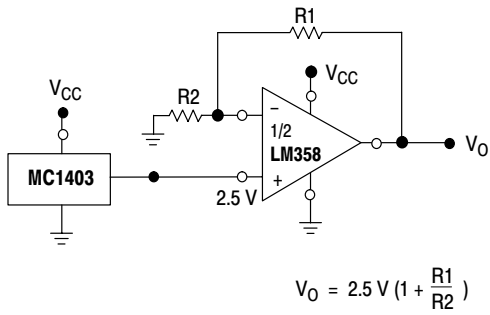


Figure 10. Voltage Reference

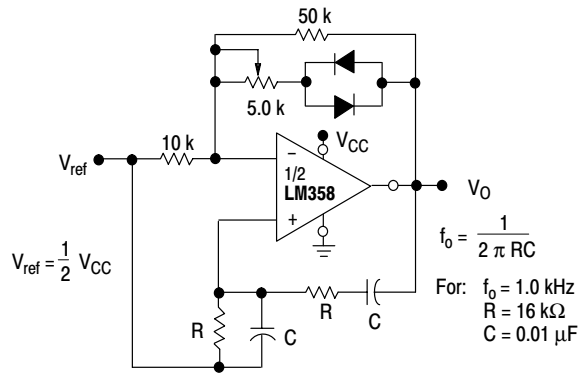


Figure 11. Wien Bridge Oscillator

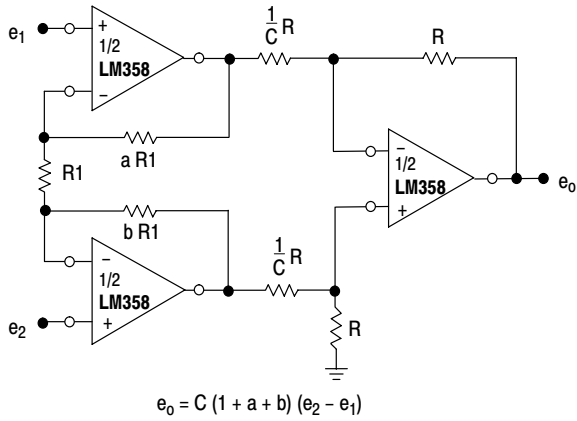


Figure 12. High Impedance Differential Amplifier

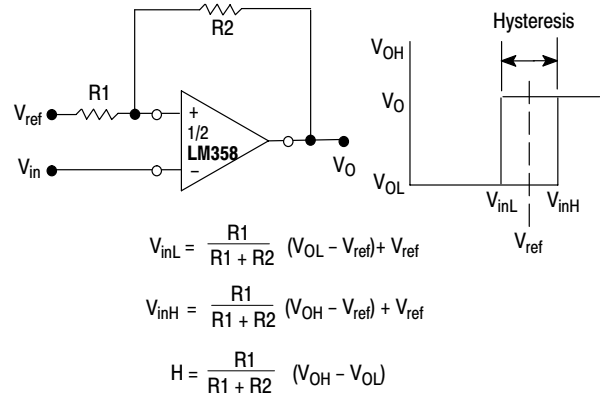


Figure 13. Comparator with Hysteresis

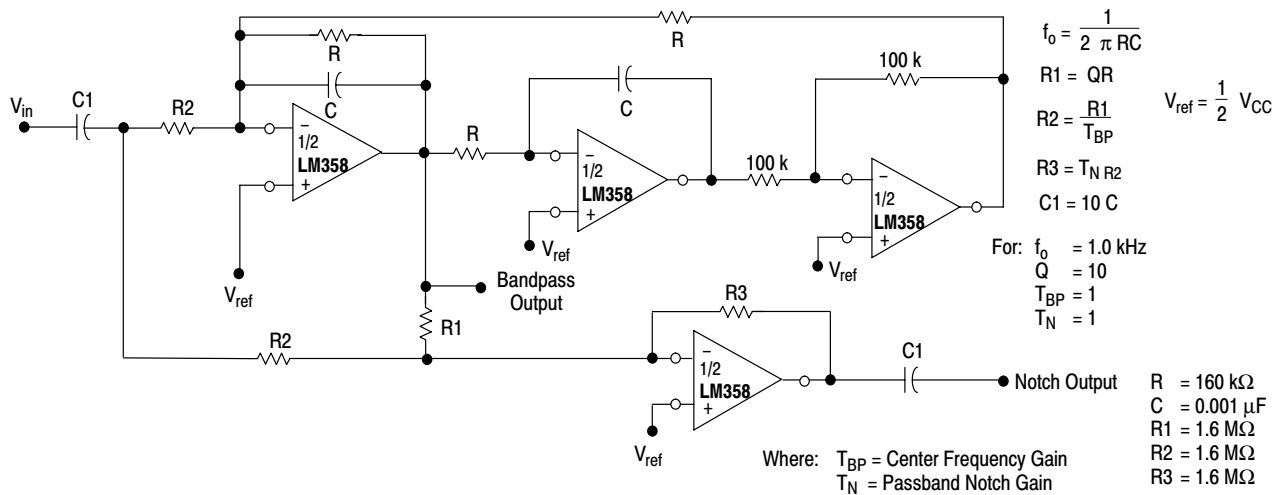
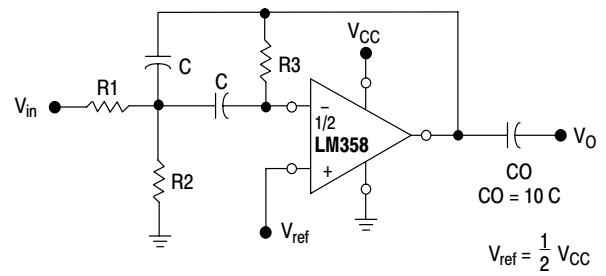


Figure 14. Bi-Quad Filter



# LM358, LM258, LM2904, LM2904A, LM2904V, NCV2904



Given:  $f_0$  = center frequency  
 $A(f_0)$  = gain at center frequency

Choose value  $f_0, C$

$$\text{Then: } R3 = \frac{Q}{\pi f_0 C}$$

$$R1 = \frac{R3}{2 A(f_0)}$$

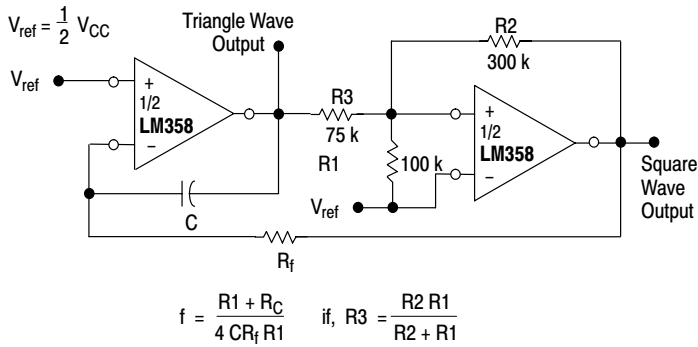
$$R2 = \frac{R1 R3}{4Q^2 R1 - R3}$$

For less than 10% error from operational amplifier.  $\frac{Q_0 f_0}{BW} < 0.1$

Where  $f_0$  and BW are expressed in Hz.

If source impedance varies, filter may be preceded with voltage follower buffer to stabilize filter parameters.

**Figure 16. Multiple Feedback Bandpass Filter**



$$f = \frac{R1 + R_C}{4 C R_f R1} \quad \text{if, } R3 = \frac{R2 R1}{R2 + R1}$$

**Figure 15. Function Generator**

# LM358, LM258, LM2904, LM2904A, LM2904V, NCV2904

## ORDERING INFORMATION

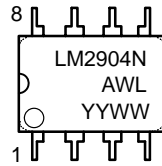
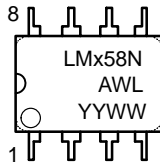
| Device      | Package | Operating Temperature Range | Shipping         |
|-------------|---------|-----------------------------|------------------|
| LM358D      | SO-8    | 0° to +70°C                 | 98 Units/Rail    |
| LM358DR2    | SO-8    |                             | 2500 Tape & Reel |
| LM358DMR2   | Micro8  |                             | 4000 Tape & Reel |
| LM358N      | PDIP-8  |                             | 50 Units/Rail    |
| LM258D      | SO-8    | -25° to +85°C               | 98 Units/Rail    |
| LM258DR2    | SO-8    |                             | 2500 Tape & Reel |
| LM258DMR2   | Micro8  |                             | 4000 Tape & Reel |
| LM258N      | PDIP-8  |                             | 50 Units/Rail    |
| LM2904D     | SO-8    | -40° to +105°C              | 98 Units/Rail    |
| LM2904DR2   | SO-8    |                             | 2500 Tape & Reel |
| LM2904DMR2  | Micro8  |                             | 2500 Tape & Reel |
| LM2904N     | PDIP-8  |                             | 50 Units/Rail    |
| LM2904ADMR2 | Micro8  |                             | 4000 Tape & Reel |
| LM2904AN    | PDIP-8  |                             | 50 Units/Rail    |
| LM2904VD    | SO-8    | -40° to +125°C              | 98 Units/Rail    |
| LM2904VDR2  | SO-8    |                             | 2500 Tape & Reel |
| LM2904VDMR2 | Micro8  |                             | 4000 Tape & Reel |
| LM2904VN    | PDIP-8  |                             | 50 Units/Rail    |
| NCV2904DR2* | SO-8    |                             | 2500 Tape & Reel |

\*NCV2904 is qualified for automotive use.

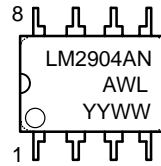
# LM358, LM258, LM2904, LM2904A, LM2904V, NCV2904

## MARKING DIAGRAMS

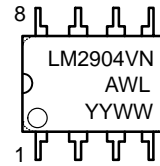
**PDIP-8  
N SUFFIX  
CASE 626**



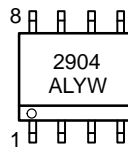
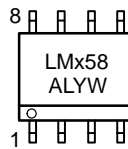
**PDIP-8  
AN SUFFIX  
CASE 626**



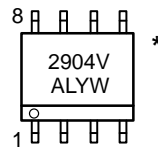
**PDIP-8  
VN SUFFIX  
CASE 626**



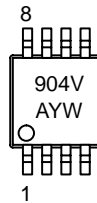
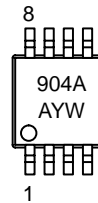
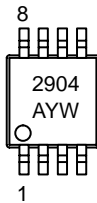
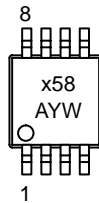
**SO-8  
D SUFFIX  
CASE 751**



**SO-8  
VD SUFFIX  
CASE 751**



**Micro8  
DMR2 SUFFIX  
CASE 846A**

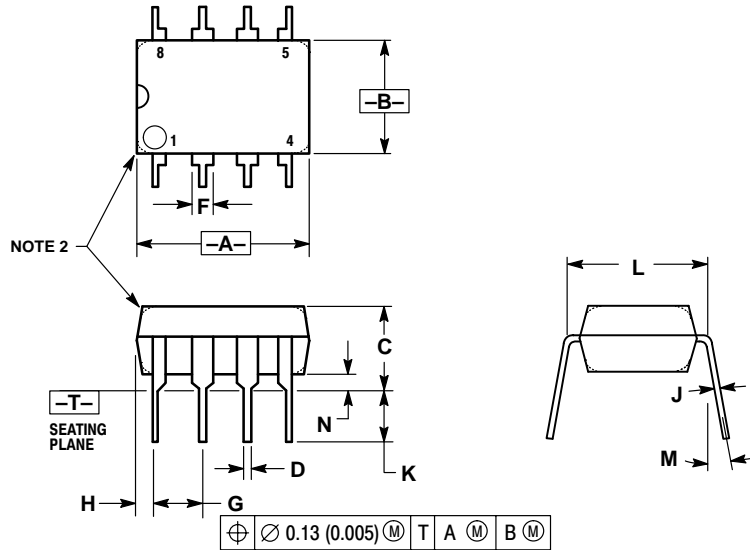


- x = 2 or 3
- A = Assembly Location
- WL, L = Wafer Lot
- YY, Y = Year
- WW, W = Work Week

\*This marking diagram also applies to NCV2904DR2.

PACKAGE DIMENSIONS

PDIP-8  
N, AN, VN SUFFIX  
CASE 626-05  
ISSUE L

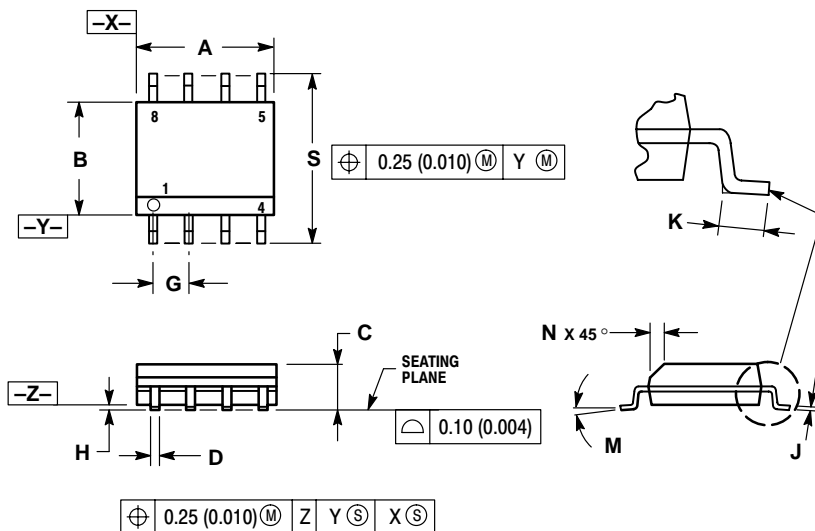


NOTES:

1. DIMENSION L TO CENTER OF LEAD WHEN FORMED PARALLEL.
2. PACKAGE CONTOUR OPTIONAL (ROUND OR SQUARE CORNERS).
3. DIMENSIONING AND TOLERANCING PER ANSI Y14.5M, 1982.

| DIM | MILLIMETERS |       | INCHES    |       |
|-----|-------------|-------|-----------|-------|
|     | MIN         | MAX   | MIN       | MAX   |
| A   | 9.40        | 10.16 | 0.370     | 0.400 |
| B   | 6.10        | 6.60  | 0.240     | 0.260 |
| C   | 3.94        | 4.45  | 0.155     | 0.175 |
| D   | 0.38        | 0.51  | 0.015     | 0.020 |
| F   | 1.02        | 1.78  | 0.040     | 0.070 |
| G   | 2.54 BSC    |       | 0.100 BSC |       |
| H   | 0.76        | 1.27  | 0.030     | 0.050 |
| J   | 0.20        | 0.30  | 0.008     | 0.012 |
| K   | 2.92        | 3.43  | 0.115     | 0.135 |
| L   | 7.62 BSC    |       | 0.300 BSC |       |
| M   | ---         | 10°   | ---       | 10°   |
| N   | 0.76        | 1.01  | 0.030     | 0.040 |

SO-8  
D, VD SUFFIX  
CASE 751-07  
ISSUE AA



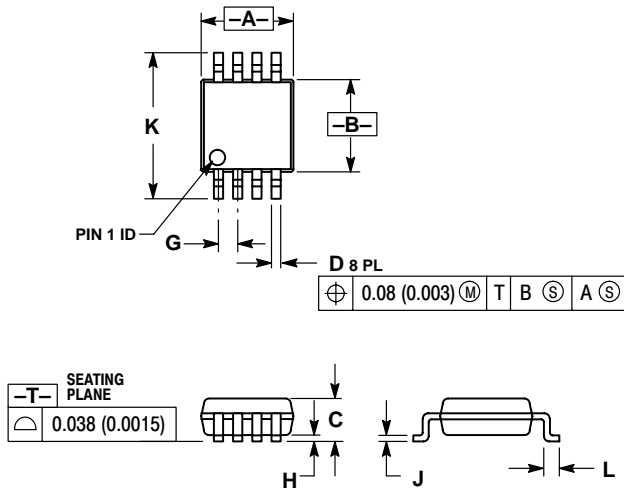
NOTES:

1. DIMENSIONING AND TOLERANCING PER ANSI Y14.5M, 1982.
2. CONTROLLING DIMENSION: MILLIMETER.
3. DIMENSION A AND B DO NOT INCLUDE MOLD PROTRUSION.
4. MAXIMUM MOLD PROTRUSION 0.15 (0.006) PER SIDE.
5. DIMENSION D DOES NOT INCLUDE DAMBAR PROTRUSION. ALLOWABLE DAMBAR PROTRUSION SHALL BE 0.127 (0.005) TOTAL IN EXCESS OF THE D DIMENSION AT MAXIMUM MATERIAL CONDITION.
6. 751-01 THRU 751-06 ARE OBSOLETE. NEW STANDAAARD IS 751-07

| DIM | MILLIMETERS |      | INCHES    |       |
|-----|-------------|------|-----------|-------|
|     | MIN         | MAX  | MIN       | MAX   |
| A   | 4.80        | 5.00 | 0.189     | 0.197 |
| B   | 3.80        | 4.00 | 0.150     | 0.157 |
| C   | 1.35        | 1.75 | 0.053     | 0.069 |
| D   | 0.33        | 0.51 | 0.013     | 0.020 |
| G   | 1.27 BSC    |      | 0.050 BSC |       |
| H   | 0.10        | 0.25 | 0.004     | 0.010 |
| J   | 0.19        | 0.25 | 0.007     | 0.010 |
| K   | 0.40        | 1.27 | 0.016     | 0.050 |
| M   | 0°          | 8°   | 0°        | 8°    |
| N   | 0.25        | 0.50 | 0.010     | 0.020 |
| S   | 5.80        | 6.20 | 0.228     | 0.244 |

PACKAGE DIMENSIONS

Micro8  
DMR2 SUFFIX  
CASE 846A-02  
ISSUE F



NOTES:

1. DIMENSIONING AND TOLERANCING PER ANSI Y14.5M, 1982.
2. CONTROLLING DIMENSION: MILLIMETER.
3. DIMENSION A DOES NOT INCLUDE MOLD FLASH, PROTRUSIONS OR GATE BURRS. MOLD FLASH, PROTRUSIONS OR GATE BURRS SHALL NOT EXCEED 0.15 (0.006) PER SIDE.
4. DIMENSION B DOES NOT INCLUDE INTERLEAD FLASH OR PROTRUSION. INTERLEAD FLASH OR PROTRUSION SHALL NOT EXCEED 0.25 (0.010) PER SIDE.
5. 846A-01 OBSOLETE, NEW STANDARD 846A-02.

| DIM | MILLIMETERS |      | INCHES    |       |
|-----|-------------|------|-----------|-------|
|     | MIN         | MAX  | MIN       | MAX   |
| A   | 2.90        | 3.10 | 0.114     | 0.122 |
| B   | 2.90        | 3.10 | 0.114     | 0.122 |
| C   | ---         | 1.10 | ---       | 0.043 |
| D   | 0.25        | 0.40 | 0.010     | 0.016 |
| G   | 0.65 BSC    |      | 0.026 BSC |       |
| H   | 0.05        | 0.15 | 0.002     | 0.006 |
| J   | 0.13        | 0.23 | 0.005     | 0.009 |
| K   | 4.75        | 5.05 | 0.187     | 0.199 |
| L   | 0.40        | 0.70 | 0.016     | 0.028 |

**Notes**

**Notes**

**ON Semiconductor** and  are registered trademarks of Semiconductor Components Industries, LLC (SCILLC). SCILLC reserves the right to make changes without further notice to any products herein. SCILLC makes no warranty, representation or guarantee regarding the suitability of its products for any particular purpose, nor does SCILLC assume any liability arising out of the application or use of any product or circuit, and specifically disclaims any and all liability, including without limitation special, consequential or incidental damages. "Typical" parameters which may be provided in SCILLC data sheets and/or specifications can and do vary in different applications and actual performance may vary over time. All operating parameters, including "Typicals" must be validated for each customer application by customer's technical experts. SCILLC does not convey any license under its patent rights nor the rights of others. SCILLC products are not designed, intended, or authorized for use as components in systems intended for surgical implant into the body, or other applications intended to support or sustain life, or for any other application in which the failure of the SCILLC product could create a situation where personal injury or death may occur. Should Buyer purchase or use SCILLC products for any such unintended or unauthorized application, Buyer shall indemnify and hold SCILLC and its officers, employees, subsidiaries, affiliates, and distributors harmless against all claims, costs, damages, and expenses, and reasonable attorney fees arising out of, directly or indirectly, any claim of personal injury or death associated with such unintended or unauthorized use, even if such claim alleges that SCILLC was negligent regarding the design or manufacture of the part. SCILLC is an Equal Opportunity/Affirmative Action Employer.

## PUBLICATION ORDERING INFORMATION

### Literature Fulfillment:

Literature Distribution Center for ON Semiconductor  
P.O. Box 5163, Denver, Colorado 80217 USA  
**Phone:** 303-675-2175 or 800-344-3860 Toll Free USA/Canada  
**Fax:** 303-675-2176 or 800-344-3867 Toll Free USA/Canada  
**Email:** ONlit@hibbertco.com

**N. American Technical Support:** 800-282-9855 Toll Free USA/Canada

**JAPAN:** ON Semiconductor, Japan Customer Focus Center  
2-9-1 Kamimeguro, Meguro-ku, Tokyo, Japan 153-0051  
**Phone:** 81-3-5773-3850  
**Email:** r14525@onsemi.com

**ON Semiconductor Website:** <http://onsemi.com>

For additional information, please contact your local Sales Representative.