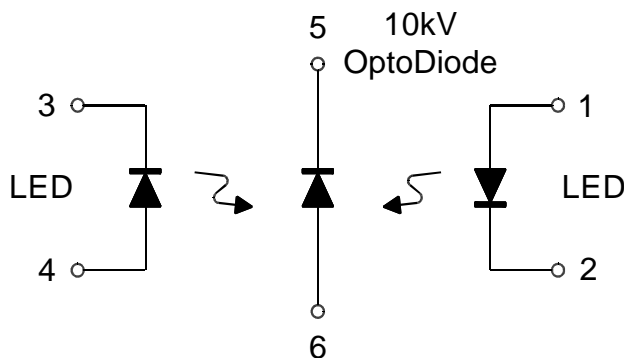
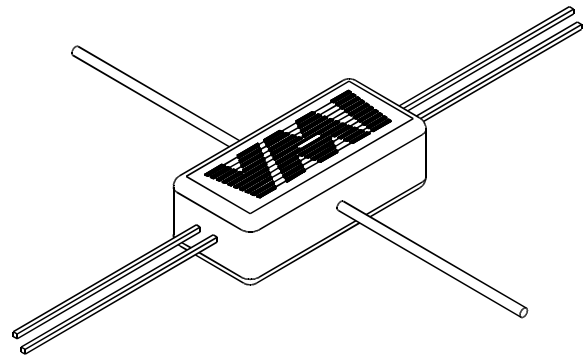


Opto Coupler

OC100



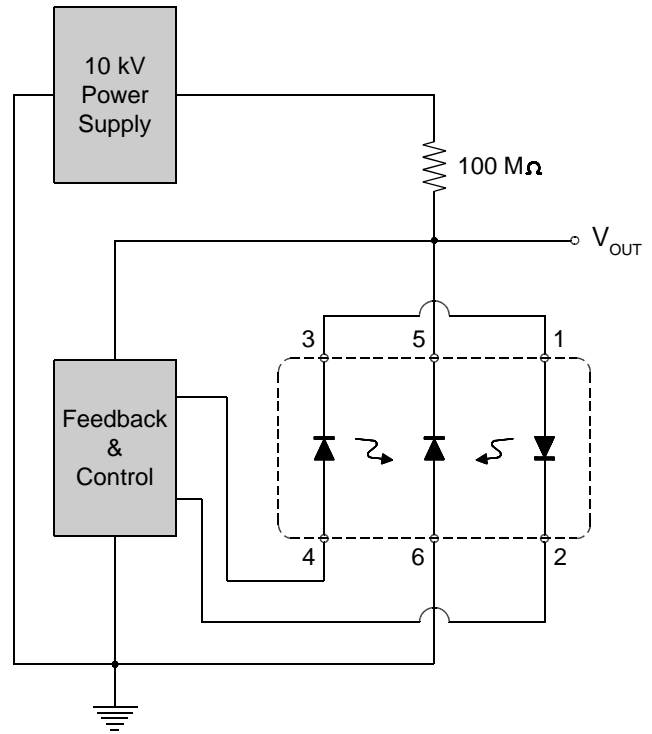
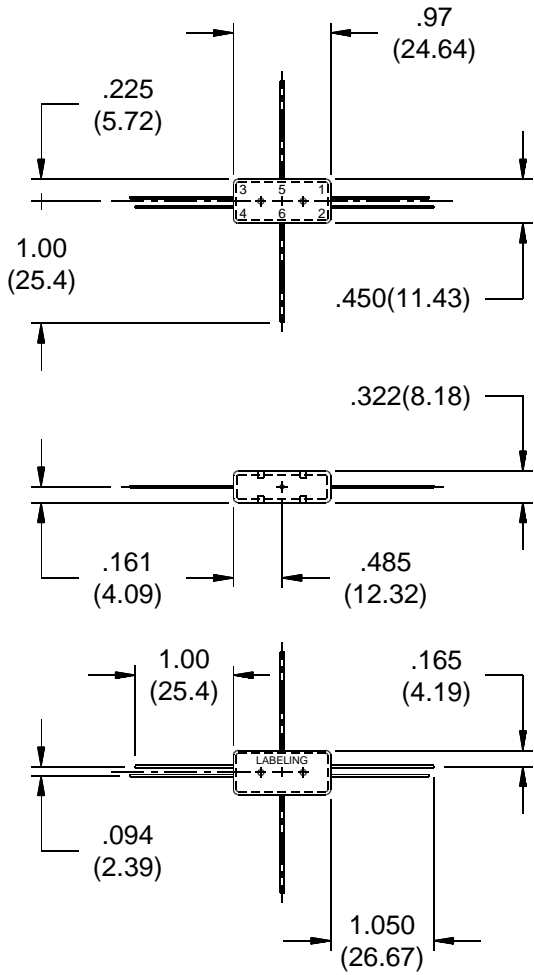
ABSOLUTE MAXIMUM RATINGS	ELECTRICAL CHARACTERISTICS
<p>LED</p> <ul style="list-style-type: none"> • Forward DC Current 100 mA • Surge Current 2.5 A • Reverse Voltage 5 V • Power Dissipation 200 mW at 25°C <p>Photodiode</p> <ul style="list-style-type: none"> • Reverse Voltage 10,000 V • Power Dissipation 1W <hr/> <ul style="list-style-type: none"> • Storage Temperature -40°C to +125°C • Operating Temperature -40°C to +100°C • Isolation Test Voltage 25 kV (Pins 1, 2, 3, & 4 tied to pins 5 & 6) 	<p>LED</p> <ul style="list-style-type: none"> • Forward Voltage (If = 100 mA) 1.5 V • Reverse Leakage Current 10nA VR = 5 V <p>Photodiode</p> <ul style="list-style-type: none"> • Forward Voltage (If = 0.6 A) 12.0 V MAX • Reverse Leakage Current Typical VR = 10 kV, I_{LED} = 0 mA 250 nA VR = 10 kV, I_{LED} = 100 mA 100 µA <p>Coupled</p> <ul style="list-style-type: none"> • DC Current Transfer Ratio 0.1% • T_{ON} 2 µs • T_{OFF} 2 µs <p>All ratings at 25°C unless otherwise noted.</p>



VOLTAGE MULTIPLIERS INC.
 8711 W. Roosevelt Ave.
 Visalia, CA 93291

TEL 559-651-1402
 FAX 559-651-0740
www.voltagemultipliers.com

OC100



Typical HV Linear Regulator Circuit

- Select resistor value to optimize circuit for V_{OUT} and I_{OUT} range.

