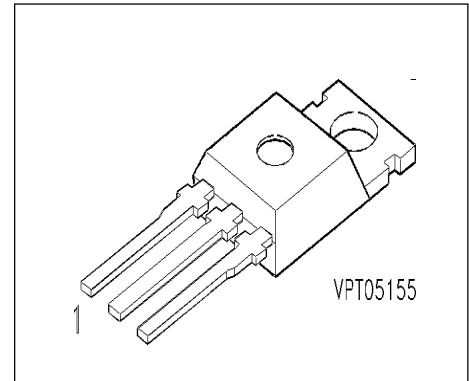


IGBT

- Low forward voltage drop
- High switching speed
- Low tail current
- Latch-up free
- Avalanche rated



Pin 1	Pin 2	Pin 3
G	C	E

Type	V_{CE}	I_C	Package	Ordering Code
SGP15N60	600V	15A	TO-220 AB	Q67040-A

Maximum Ratings

Parameter	Symbol	Values	Unit
Collector-emitter voltage	V_{CE}	600	V
Collector-gate voltage	V_{CGR}	600	
$R_{GE} = 20 \text{ k}\Omega$			
Gate-emitter voltage	V_{GE}	± 20	
DC collector current	I_C		A
$T_C = 25 \text{ }^\circ\text{C}$		31	
$T_C = 100 \text{ }^\circ\text{C}$		15	
Pulsed collector current, $t_p = 1 \text{ ms}$	I_{Cpuls}		
$T_C = 25 \text{ }^\circ\text{C}$		62	
$T_C = 100 \text{ }^\circ\text{C}$		30	
Avalanche energy, single pulse	E_{AS}		mJ
$I_C = 15 \text{ A}$, $V_{CC} = 50 \text{ V}$, $R_{GE} = 25 \text{ }\Omega$			
$L = 200 \text{ }\mu\text{H}$, $T_j = 25 \text{ }^\circ\text{C}$		24	
Power dissipation	P_{tot}		W
$T_C = 25 \text{ }^\circ\text{C}$		135	

Preliminary data

Maximum Ratings

Parameter	Symbol	Values	Unit
Chip or operating temperature	T_j	-55 ... + 150	°C
Storage temperature	T_{stg}	-55 ... + 150	
IEC climatic category, DIN IEC 68-1	-	55 / 150 / 56	-

Thermal Resistance

Thermal resistance, junction - case	R_{thJC}	≤ 0.9	K/W
-------------------------------------	------------	-------	-----

Electrical Characteristics, at $T_j = 25\text{ °C}$, unless otherwise specified

Parameter	Symbol	Values			Unit
		min.	typ.	max.	

Static Characteristics

Collector-emitter breakdown voltage $V_{GE} = 0\text{ V}$, $I_C = 0.5\text{ mA}$, $T_j = -55\text{ °C}$	$V_{(BR)CES}$	600	-	-	V
Gate threshold voltage $V_{GE} = V_{CE}$, $I_C = 0.4\text{ mA}$, $T_j = 25\text{ °C}$ $V_{GE} = V_{CE}$, $I_C = 0.4\text{ mA}$, $T_j = 150\text{ °C}$	$V_{GE(th)}$	3 2	4 3	5 -	
Collector-emitter saturation voltage $V_{GE} = 15\text{ V}$, $I_C = 15\text{ A}$, $T_j = 25\text{ °C}$ $V_{GE} = 15\text{ V}$, $I_C = 15\text{ A}$, $T_j = 150\text{ °C}$	$V_{CE(sat)}$	1.6 -	2 2.3	2.5 2.8	
Zero gate voltage collector current $V_{CE} = 600\text{ V}$, $V_{GE} = 0\text{ V}$, $T_j = 25\text{ °C}$ $V_{CE} = 600\text{ V}$, $V_{GE} = 0\text{ V}$, $T_j = 150\text{ °C}$	I_{CES}	- -	- -	40 2000	μA
Gate-emitter leakage current $V_{GE} = 25\text{ V}$, $V_{CE} = 0\text{ V}$	I_{GES}	-	-	100	nA

Electrical Characteristics, at $T_j = 25\text{ °C}$, unless otherwise specified

Parameter	Symbol	Values			Unit
		min.	typ.	max.	

AC Characteristics

Transconductance $V_{CE} = 20\text{ V}, I_C = 15\text{ A}$	g_{fs}	3	11	-	S
Input capacitance $V_{CE} = 25\text{ V}, V_{GE} = 0\text{ V}, f = 1\text{ MHz}$	C_{iss}	-	800	1100	pF
Output capacitance $V_{CE} = 25\text{ V}, V_{GE} = 0\text{ V}, f = 1\text{ MHz}$	C_{oss}	-	85	110	
Reverse transfer capacitance $V_{CE} = 25\text{ V}, V_{GE} = 0\text{ V}, f = 1\text{ MHz}$	C_{rss}	-	50	65	

Preliminary data
Electrical Characteristics, at $T_j = 25\text{ °C}$, unless otherwise specified

Parameter	Symbol	Values			Unit
		min.	typ.	max.	

Switching Characteristics, Inductive Load at $T_j = 150\text{ °C}$

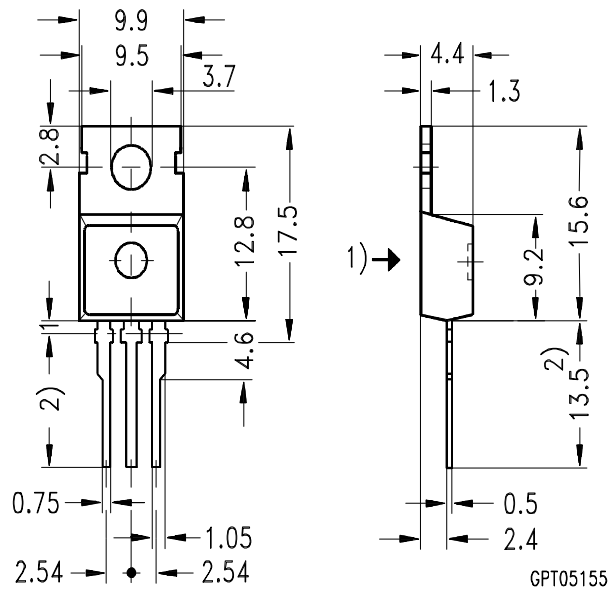
Turn-on delay time $V_{CC} = 400\text{ V}$, $V_{GE} = 15\text{ V}$, $I_C = 15\text{ A}$ $R_{Gon} = 21\ \Omega$	$t_{d(on)}$	-	25	40	ns
Rise time $V_{CC} = 400\text{ V}$, $V_{GE} = 15\text{ V}$, $I_C = 15\text{ A}$ $R_{Gon} = 21\ \Omega$	t_r	-	30	45	
Turn-off delay time $V_{CC} = 400\text{ V}$, $V_{GE} = 15\text{ V}$, $I_C = 15\text{ A}$ $R_{Goff} = 21\ \Omega$	$t_{d(off)}$	-	260	390	
Fall time $V_{CC} = 400\text{ V}$, $V_{GE} = 15\text{ V}$, $I_C = 15\text{ A}$ $R_{Goff} = 21\ \Omega$	t_f	-	55	85	
Total turn-on loss energy * $V_{CC} = 400\text{ V}$, $V_{GE} = 15\text{ V}$, $I_C = 15\text{ A}$ $R_{Gon} = 21\ \Omega$, $T_j = 150\text{ °C}$	E_{on}	-	0.92	1.2	mJ
Total turn-off loss energy $V_{CC} = 400\text{ V}$, $V_{GE} = 15\text{ V}$, $I_C = 15\text{ A}$ $R_{Goff} = 21\ \Omega$, $T_j = 150\text{ °C}$	E_{off}	-	0.41	0.53	
Total Gate Charge $V_{CC} = 480\text{ V}$, $V_{GE} = 15\text{ V}$, $I_C = 15\text{ A}$	$Q_{G(on)}$	-	73	110	nC

* includes the reverse recovery losses caused by the FWD of the BUP602D

Package Outlines

Dimensions in mm

Weight:



- 1) punch direction, burr max. 0.04
- 2) dip tinning
- 3) max. 14.5 by dip tinning press burr max. 0.05