

## CD4511BC BCD-to-7 Segment Latch/Decoder/Driver

### General Description

The CD4511BC BCD-to-seven segment latch/decoder/driver is constructed with complementary MOS (CMOS) enhancement mode devices and NPN bipolar output drivers in a single monolithic structure. The circuit provides the functions of a 4-bit storage latch, an 8421 BCD-to-seven segment decoder, and an output drive capability. Lamp test (LT), blanking (BI), and latch enable (LE) inputs are used to test the display, to turn-off or pulse modulate the brightness of the display, and to store a BCD code, respectively. It can be used with seven-segment light emitting diodes (LED), incandescent, fluorescent, gas discharge, or liquid crystal readouts either directly or indirectly.

Applications include instrument (e.g., counter, DVM, etc.) display driver, computer/calculator display driver, cockpit display driver, and various clock, watch, and timer uses.

### Features

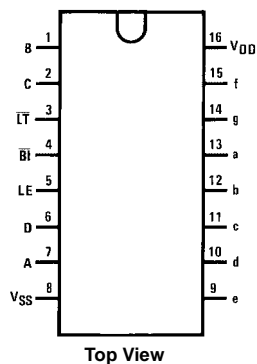
- Low logic circuit power dissipation
- High current sourcing outputs (up to 25 mA)
- Latch storage of code
- Blanking input
- Lamp test provision
- Readout blanking on all illegal input combinations
- Lamp intensity modulation capability
- Time share (multiplexing) facility
- Equivalent to Motorola MC14511

### Ordering Code:

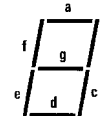
Order Number	Package Number	Package Description
CD4511BCWM	M16B	16-Lead Small Outline Intergrated Circuit (SOIC), JEDEC MS-013, 0.300" Wide
CD4511BCN	N16E	16-Lead Plastic Dual-In-Line Package (PDIP), JEDEC MS-001, 0.300" Wide

Devices also available in Tape and Reel. Specify by appending suffix letter "X" to the ordering code.

### Connection Diagrams



### Segment Identification



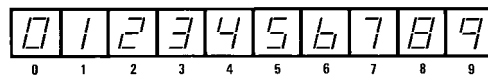
**Truth Table**

Inputs							Outputs							
LE	$\overline{\text{BI}}$	$\overline{\text{LT}}$	D	C	B	A	a	b	c	d	e	f	g	Display
X	X	0	X	X	X	X	1	1	1	1	1	1	1	B
X	0	1	X	X	X	X	0	0	0	0	0	0	0	
0	1	1	0	0	0	0	1	1	1	1	1	1	0	0
0	1	1	0	0	0	1	0	1	1	0	0	0	0	1
0	1	1	0	0	1	0	1	1	0	1	1	0	1	2
0	1	1	0	0	1	1	1	1	1	1	0	0	1	3
0	1	1	0	1	0	0	0	1	1	0	0	1	1	4
0	1	1	0	1	0	1	1	0	1	1	0	1	1	5
0	1	1	0	1	1	0	0	0	1	1	1	1	1	6
0	1	1	0	1	1	1	1	1	1	0	0	0	0	7
0	1	1	1	0	0	0	1	1	1	1	1	1	1	8
0	1	1	1	0	0	1	1	1	1	0	0	1	1	9
0	1	1	1	0	1	0	0	0	0	0	0	0	0	
0	1	1	1	0	1	1	0	0	0	0	0	0	0	
0	1	1	1	1	0	0	0	0	0	0	0	0	0	
0	1	1	1	1	1	0	0	0	0	0	0	0	0	
0	1	1	1	1	1	1	0	0	0	0	0	0	0	
0	1	1	1	1	1	1	0	0	0	0	0	0	0	
1	1	1	X	X	X	X				*				*

X = Don't Care

\*Depends upon the BCD code applied during the 0 to 1 transition of LE.

**Display**



Absolute Maximum Ratings <small>(Note 1)</small>		Recommended Operating Conditions	
DC Supply Voltage ( $V_{DD}$ )	-0.5V to +18V	DC Supply Voltage ( $V_{DD}$ )	3V to 15V
Input Voltage ( $V_{IN}$ )	-0.5V to $V_{DD}$ +0.5V	Input Voltage ( $V_{IN}$ )	0V to $V_{DD}$
Storage Temperature Range ( $T_S$ )	-65°C to +150°C	Operating Temperature Range ( $T_A$ )	-55°C to +125°C
Power Dissipation ( $P_D$ )			
Dual-In-Line	700 mW		
Small Outline	500 mW		
Lead Temperature ( $T_L$ )			
(Soldering, 10 seconds)	260°C		

**Note 1:** Devices should not be connected with power on.

### DC Electrical Characteristics

Symbol	Parameter	Conditions	-55°C		+25°C			+125°C		Units
			Min	Max	Min	Typ	Max	Min	Max	
$I_{DD}$	Quiescent Supply Current	$V_{DD} = 5V$		5			5		150	$\mu A$
		$V_{DD} = 10V$		10			10		300	
		$V_{DD} = 15V$		20			20		600	
$V_{OL}$	Output Voltage Logical "0" Level	$V_{DD} = 5V$		0.01		0	0.01		0.05	V
		$V_{DD} = 10V$		0.01		0	0.01		0.05	
		$V_{DD} = 15V$		0.01		0	0.01		0.05	
$V_{OH}$	Output Voltage Logical "1" Level	$V_{DD} = 5V$	4.1		4.1	4.57		4.1		V
		$V_{DD} = 10V$	9.1		9.1	9.58		9.1		
		$V_{DD} = 15V$	14.1		14.1	14.59		14.1		
$V_{IL}$	LOW Level Input Voltage	$V_{DD} = 5V, V_{OUT} = 3.8V$ or $0.5V$		1.5		2	1.5		1.5	V
		$V_{DD} = 10V, V_{OUT} = 8.8V$ or $1.0V$		3.0		4	3.0		3.0	
		$V_{DD} = 15V, V_{OUT} = 13.8V$ or $1.5V$		4.0		6	4.0		4.0	
$V_{IH}$	HIGH Level Input Voltage	$V_{DD} = 5V, V_{OUT} = 0.5V$ or $3.8V$	3.5		3.5	3		3.5		V
		$V_{DD} = 10V, V_{OUT} = 1.0V$ or $8.8V$	7.0		7.0	6		7.0		
		$V_{DD} = 15V, V_{OUT} = 1.5V$ or $13.8V$	11.0		11.0	9		11.0		
$V_{OH}$	Output (Source) Drive Voltage	$V_{DD} = 5V, I_{OH} = 0 mA$	4.1		4.1	4.57		4.1		V
		$V_{DD} = 5V, I_{OH} = 5 mA$				4.24				
		$V_{DD} = 5V, I_{OH} = 10 mA$	3.9		3.9	4.12		3.5		
		$V_{DD} = 5V, I_{OH} = 15 mA$				3.94				
		$V_{DD} = 5V, I_{OH} = 20 mA$	3.4		3.4	3.75		3.0		
		$V_{DD} = 5V, I_{OH} = 25 mA$				3.54				
		$V_{DD} = 10V, I_{OH} = 0 mA$	9.1		9.1	9.58		9.1		V
		$V_{DD} = 10V, I_{OH} = 5 mA$				9.26				
		$V_{DD} = 10V, I_{OH} = 10 mA$	9.0		9.0	9.17		8.6		
		$V_{DD} = 10V, I_{OH} = 15 mA$				9.04				
		$V_{DD} = 10V, I_{OH} = 20 mA$	8.6		8.6	8.9		8.2		
		$V_{DD} = 10V, I_{OH} = 25 mA$				8.75				
$V_{DD} = 15V, I_{OH} = 0 mA$	14.1		14.1	9.58		14.1		V		
$V_{DD} = 15V, I_{OH} = 5 mA$				14.27						
$V_{DD} = 15V, I_{OH} = 10 mA$	14.0		14.0	14.17		13.6				
$V_{DD} = 15V, I_{OH} = 15 mA$				14.07						
$V_{DD} = 15V, I_{OH} = 20 mA$	13.6		13.6	13.95		13.2				
$V_{DD} = 15V, I_{OH} = 25 mA$				13.80						
$I_{OL}$	LOW Level Output Current	$V_{DD} = 5V, V_{OL} = 0.4V$	0.64		0.51	0.88		0.36		mA
		$V_{DD} = 10V, V_{OL} = 0.5V$	1.6		1.3	2.25		0.9		
		$V_{DD} = 15V, V_{OL} = 1.5V$	4.2		3.4	8.8		2.4		
$I_{IN}$	Input Current	$V_{DD} = 15V, V_{IN} = 0V$		-0.1		$-10^{-5}$	-0.1		-1.0	$\mu A$
		$V_{DD} = 15V, V_{IN} = 15V$		0.1		$10^{-5}$	0.1		1.0	

**AC Electrical Characteristics** (Note 2) $T_A = 25^\circ\text{C}$  and  $C_L = 50\text{ pF}$ , typical temperature coefficient for all values of  $V_{DD} = 0.3\%/^\circ\text{C}$ 

Symbol	Parameter	Conditions	Min	Typ	Max	Units
$C_{IN}$	Input Capacitance	$V_{IN} = 0$		5.0	7.5	pF
$t_r$	Output Rise Time (Figure 1a)	$V_{DD} = 5V$		40	80	ns
		$V_{DD} = 10V$		30	60	
		$V_{DD} = 15V$		25	50	
$t_f$	Output Fall Time (Figure 1a)	$V_{DD} = 5V$		125	250	ns
		$V_{DD} = 10V$		75	150	
		$V_{DD} = 15V$		65	130	
$t_{PLH}$	Turn-Off Delay Time (Data) (Figure 1a)	$V_{DD} = 5V$		640	1280	ns
		$V_{DD} = 10V$		250	500	
		$V_{DD} = 15V$		175	350	
$t_{PHL}$	Turn-On Delay Time (Data) (Figure 1a)	$V_{DD} = 5V$		720	1440	ns
		$V_{DD} = 10V$		290	580	
		$V_{DD} = 15V$		195	400	
$t_{PLH}$	Turn-Off Delay Time (Blank) (Figure 1a)	$V_{DD} = 5V$		320	640	ns
		$V_{DD} = 10V$		130	260	
		$V_{DD} = 15V$		100	200	
$t_{PHL}$	Turn-On Delay Time (Blank) (Figure 1a)	$V_{DD} = 5V$		485	970	ns
		$V_{DD} = 10V$		200	400	
		$V_{DD} = 15V$		160	320	
$t_{PLH}$	Turn-Off Delay Time (Lamp Test) (Figure 1a)	$V_{DD} = 5V$		313	625	ns
		$V_{DD} = 10V$		125	250	
		$V_{DD} = 15V$		90	180	
$t_{PHL}$	Turn-On Delay Time (Lamp Test) (Figure 1a)	$V_{DD} = 5V$		313	625	ns
		$V_{DD} = 10V$		125	250	
		$V_{DD} = 15V$		90	180	
$t_{SETUP}$	Setup Time (Figure 1b)	$V_{DD} = 5V$	180	90		ns
		$V_{DD} = 10V$	76	38		
		$V_{DD} = 15V$	40	20		
$t_{HOLD}$	Hold Time (Figure 1b)	$V_{DD} = 5V$	0	-90		ns
		$V_{DD} = 10V$	0	-38		
		$V_{DD} = 15V$	0	-20		
$PW_{LE}$	Minimum Latch Enable Pulse Width (Figure 1c)	$V_{DD} = 5V$	520	260		ns
		$V_{DD} = 10V$	220	110		
		$V_{DD} = 15V$	130	65		

**Note 2:** AC Parameters are guaranteed by DC correlated testing.

Switching Time Waveforms

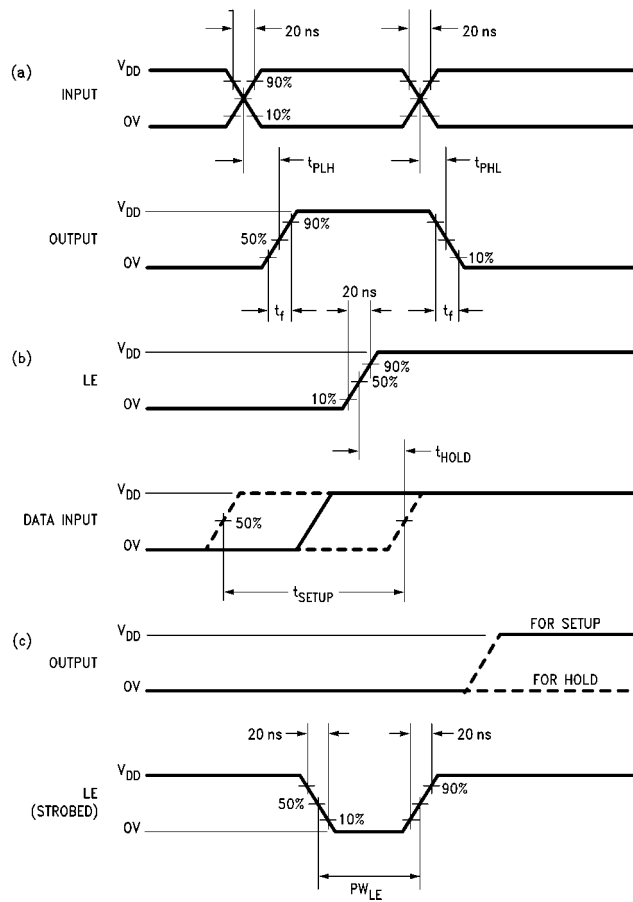
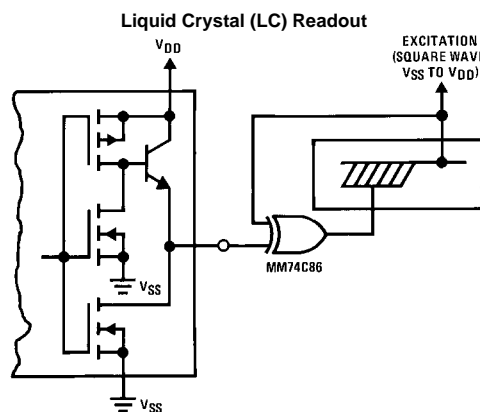
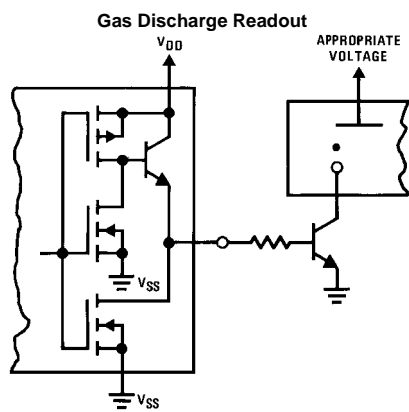
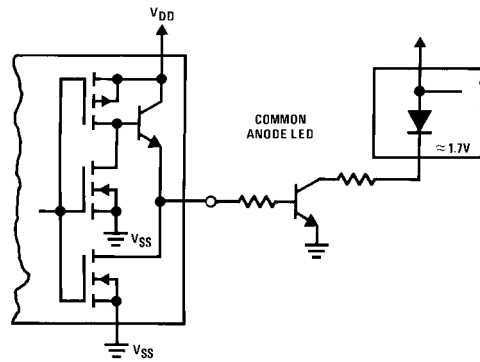
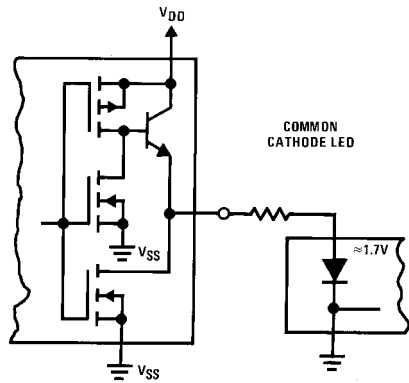


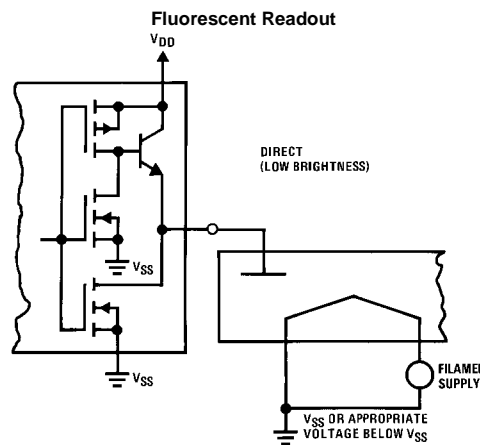
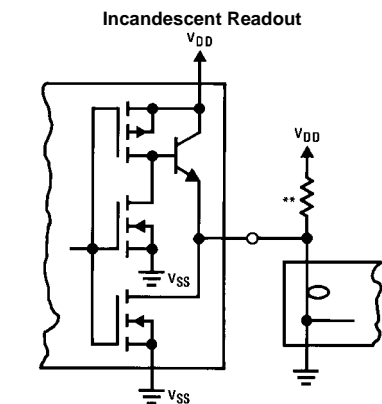
FIGURE 1.

Typical Applications

Light Emitting Diode (LED) Readout

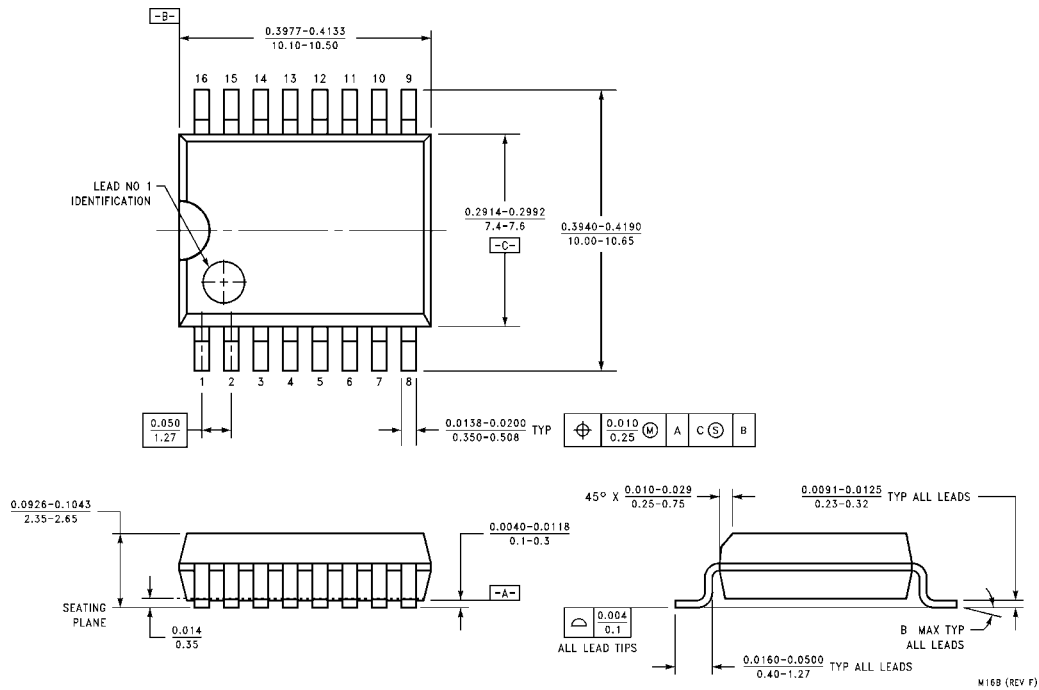


Direct DC drive of LC's not recommended for life of LC readouts.

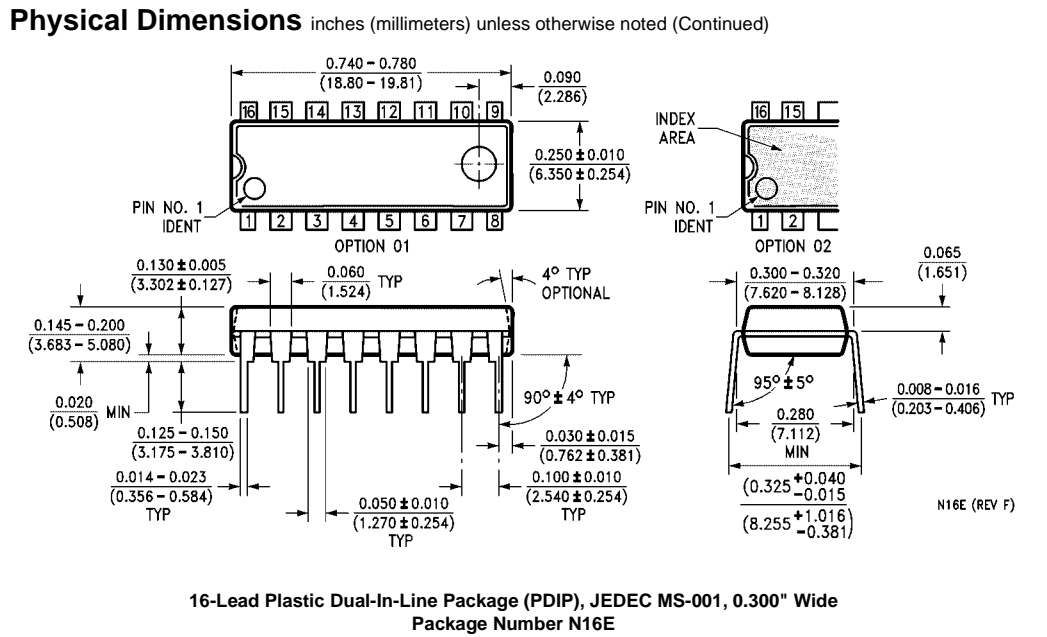


\*\*A filament pre-warm resistor is recommended to reduce filament thermal shock and increase the effective cold resistance of the filament.

**Physical Dimensions** inches (millimeters) unless otherwise noted



**16-Lead Small Outline Intergrated Circuit (SOIC), JEDEC MS-013, 0.300" Wide  
Package Number M16B**



Fairchild does not assume any responsibility for use of any circuitry described, no circuit patent licenses are implied and Fairchild reserves the right at any time without notice to change said circuitry and specifications.

**LIFE SUPPORT POLICY**

FAIRCHILD'S PRODUCTS ARE NOT AUTHORIZED FOR USE AS CRITICAL COMPONENTS IN LIFE SUPPORT DEVICES OR SYSTEMS WITHOUT THE EXPRESS WRITTEN APPROVAL OF THE PRESIDENT OF FAIRCHILD SEMICONDUCTOR CORPORATION. As used herein:

1. Life support devices or systems are devices or systems which, (a) are intended for surgical implant into the body, or (b) support or sustain life, and (c) whose failure to perform when properly used in accordance with instructions for use provided in the labeling, can be reasonably expected to result in a significant injury to the user.
2. A critical component in any component of a life support device or system whose failure to perform can be reasonably expected to cause the failure of the life support device or system, or to affect its safety or effectiveness.

[www.fairchildsemi.com](http://www.fairchildsemi.com)