



New CobraNet™ Processor Ideal for Professional Digital Audio Networking Applications

Highly Integrated Solution Reduces Component Count and Implementation Costs

CS18101 Features

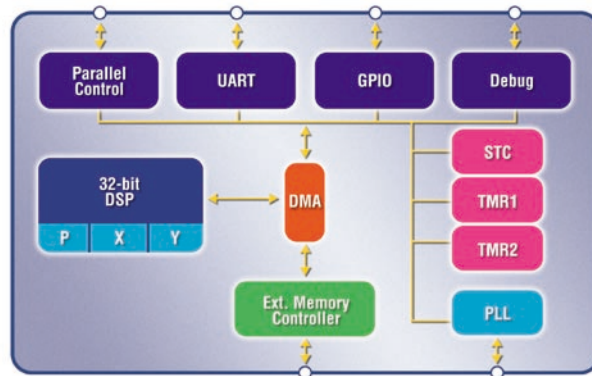
- Highly integrated CobraNet™ solution
- Reduces component count
- Reduces implementation cost
- Reduces power consumption
- Supports 96 and 48 kHz sampling rates
- Selectable latency of 1.33, 2.66, or 5.33 ms across network
- 8-channel 32-bit serial audio I/O
- Parallel host control
- UART
- Large on-chip X, Y & program RAM
- Supports FLASH memories and Ethernet controllers
- 12-channel DMA engine
- Supports low jitter external audio clock oscillator
- Available in 144-pin LQFP

Applications

- Self-powered loudspeakers
- Stand-alone A/D and D/A interfaces
- Paging stations
- Power amplifiers
- Intercoms
- Audio snakes
- Signal processors
- Mixing consoles
- Large facility audio distribution



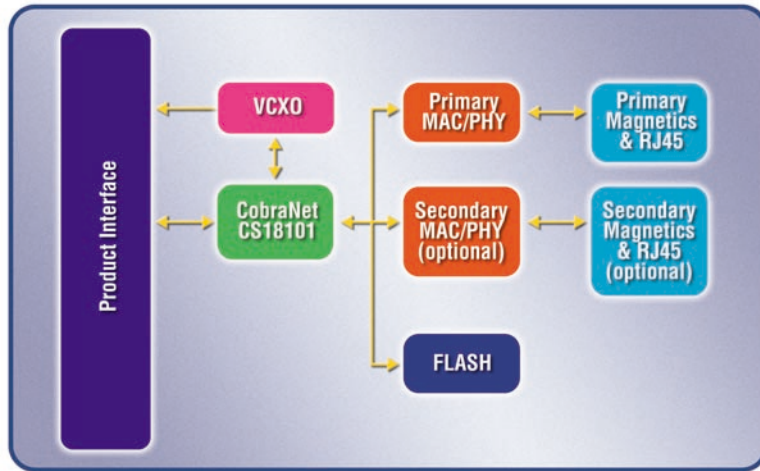
Actual Size



Now professional audio manufacturers can easily incorporate the industry-leading digital audio networking technology into their new product designs. CobraNet™ technology, from Cirrus Logic, is available in a highly integrated IC solution, providing 8 simultaneous channels, each of distributed audio input and output at either 96 or 48 kHz sampling rates. The CS18101 includes the key CobraNet™ circuitry needed for designers who wish to add networking capability into almost any digital audio product, including loudspeakers, power amplifiers, intercoms, mixing consoles and much more.

The CS18101 provides 24-bit audio connections across an Ethernet network. In conjunction with an external VCXO, it delivers a studio-grade, low jitter clock source that meets the AES11 Standard. The CS18101 also supports dual Ethernet connections for operation with redundant networks, allowing system designers to create highly available audio systems.

The CS18101 features a high-speed parallel host port interface to allow it to optionally interface to a control processor in the host product. Ethernet-based control, monitoring, and management is supported using industry-standard SNMP. Firmware updates can be accomplished over the network using TFTP. Asynchronous data from 4 or 2 wire serial ports may be bridged across the Ethernet network.



Typical System Configuration

connected by
CobraNet™

**Cirrus Logic, Inc.
Corporate Headquarters**

2901 Via Fortuna
Austin, Texas 78746
USA
T: (800) 888-5016
T: (512) 851-4000
F: (512) 851-4977
www.cirrus.com

CIRRUS LOGIC COMMERCIAL AUDIO PRODUCTS

305 Interlocken Parkway
Broomfield, CO 80021
Phone: (303) 466-5228
FAX: (303) 464-6776
commercial_audio@cirrus.com