

Features

- This Circuit is Processed in Accordance to MIL-STD-883 and is Fully Conformant Under the Provisions of Paragraph 1.2.1.
- High Slew Rate (HA-2510/883) 50V/μs (Min)
65V/μs (Typ)
- Wide Power Bandwidth (HA-2510/883) . . . 750kHz (Min)
- Low Offset Current (HA-2510/883) 25nA (Min)
10nA (Typ)
- High Input Impedance (HA-2510/883). 50MΩ (Min)
100MΩ (Typ)
- Wide Small Signal Bandwidth. 12MHz (Typ)
- Fast Settling Time (0.1% of 10V Step) 250ns (Typ)
- Low Quiescent Supply Current 6mA (Max)
- Internally Compensated For Unity Gain Stability

Applications

- Data Acquisition Systems
- RF Amplifiers
- Video Amplifiers
- Signal Generators
- Pulse Amplification

Description

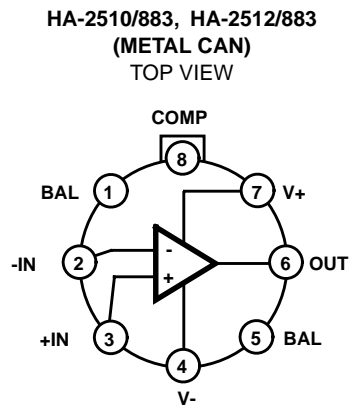
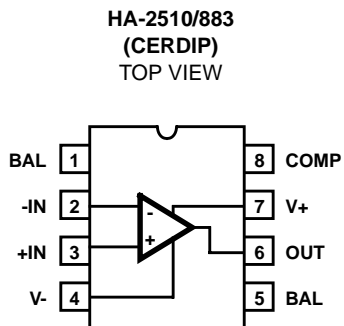
The HA-2510/883 and HA-2512/883 are a series of high performance operational amplifiers which set the standards for maximum slew rate and wide bandwidth operation in moderately powered, internally compensated, monolithic devices. In addition to excellent dynamic characteristics, these dielectrically isolated amplifiers also offer low offset current and high input impedance.

The ±50V/μs minimum slew rate and fast settling time of the HA-2510/883 are ideally suited for high speed D/A, A/D, and pulse amplification designs. The HA-2510/883 and the HA-2512/883's superior bandwidth and 750kHz (HA-2510/883) minimum full power bandwidth are extremely useful in RF and video applications. To insure compliance with slew rate and transient response specifications, all devices are 100% tested for AC performance characteristics over full temperature limits. To improve signal conditioning accuracy, the HA-2510/883 provides a maximum offset current of 25nA and a minimum input impedance of 50MΩ, both at 25°C, as well as offset voltage adjust capability.

Ordering Information

PART NUMBER	TEMP. RANGE (°C)	PACKAGE	PKG. NO.
HA2-2510/883	-55 to 125	8 Pin Can	T8.C
HA7-2510/883	-55 to 125	8 Ld CerDIP	F8.3A
HA2-2512/883	-55 to 125	8 Pin Can	T8.C

Pinouts



HA-2510/883, HA-2512/883

Absolute Maximum Ratings

Voltage Between V+ and V- Terminals	40V
Differential Input Voltage	15V
Voltage at Either Input Terminal	V+ to V-
Peak Output Current	.50mA
ESD Rating	<2000V

Operating Conditions

Temperature Range	-55°C to 125°C
Supply Voltage	±15V
$V_{INCM} \leq 1/2 (V+ - V-)$	
$R_L \geq 2k\Omega$	

Thermal Information

Thermal Resistance (Typical, Note 1)	θ_{JA}	θ_{JC}
CERDIP Package	115°C/W	28°C/W
Metal Can Package	160°C/W	75°C/W
Package Power Dissipation Limit at 75°C for $T_J \leq 175^\circ\text{C}$		
CERDIP Package	870mW	
Metal Can Package	625mW	
Package Power Dissipation Derating Factor Above 75°C		
CERDIP Package	8.7mW/°C	
Metal Can Package	6.3mW/°C	
Maximum Junction Temperature	175°C	
Maximum Storage Temperature Range	-65°C to 150°C	
Maximum Lead Temperature (Soldering 10s)	300°C	

CAUTION: Stresses above those listed in "Absolute Maximum Ratings" may cause permanent damage to the device. This is a stress only rating and operation of the device at these or any other conditions above those indicated in the operational sections of this specification is not implied.

NOTE:

- θ_{JA} is measured with the component mounted on an evaluation PC board in free air.

TABLE 1. DC ELECTRICAL PERFORMANCE CHARACTERISTICS

Device Tested at: $V_{SUPPLY} = \pm 15V$, $R_{SOURCE} = 100\Omega$, $R_{LOAD} = 500k\Omega$, $V_{OUT} = 0V$, Unless Otherwise Specified.

PARAMETER	SYMBOL	CONDITIONS	GROUP A SUBGROUPS	TEMP (°C)	HA-2510/883		HA-2512/883		UNITS
					MIN	MAX	MIN	MAX	
Input Offset Voltage	V_{IO}	$V_{CM} = 0V$	1	25	-8	8	-10	10	mV
			2, 3	125, -55	-18	10	-14	14	mV
Input Bias Current	+ I_B	$V_{CM} = 0V$, $+R_S = 100k\Omega$, $-R_S = 100\Omega$	1	25	-200	200	-250	250	nA
			2, 3	125, -55	-400	400	-500	500	nA
	- I_B	$V_{CM} = 0V$, $+R_S = 100\Omega$, $-R_S = 100k\Omega$	1	25	-200	200	-250	250	nA
			2, 3	125, -55	-400	400	-500	500	nA
Input Offset Current	I_{IO}	$V_{CM} = 0V$, $+R_S = 100k\Omega$, $-R_S = 100k\Omega$	1	25	-25	25	-50	50	nA
			2, 3	125, -55	-50	50	-100	100	nA
Common Mode Range	+CMR	$V+ = 5V$, $V- = -25V$	1	25	+10	-	+10	-	V
			2, 3	125, -55	+10	-	+10	-	V
	-CMR	$V+ = 25V$, $V- = -5V$	1	25	-	-10	-	-10	V
			2, 3	125, -55	-	-10	-	-10	V
Large Signal Voltage Gain	+ A_{VOL}	$V_{OUT} = 0V$ and $+10V$, $R_L = 2k\Omega$	4	25	10	-	7.5	-	kV/V
			5, 6	125, -55	7.5	-	5	-	kV/V
	- A_{VOL}	$V_{OUT} = 0V$ and $-10V$, $R_L = 2k\Omega$	4	25	10	-	7.5	-	kV/V
			5, 6	125, -55	7.5	-	5	-	kV/V
Common Mode Rejection Ratio	+CMRR	$\Delta V_{CM} = +10V$, $V+ = +5V$, $V- = -25V$, $V_{OUT} = -10V$	1	25	80	-	74	-	dB
			2, 3	125, -55	80	-	74	-	dB
	-CMRR	$\Delta V_{CM} = -10V$, $V+ = +25V$, $V- = -5V$, $V_{OUT} = +10V$	1	25	80	-	74	-	dB
			2, 3	125, -55	80	-	74	-	dB

HA-2510/883, HA-2512/883

TABLE 1. DC ELECTRICAL PERFORMANCE CHARACTERISTICS (Continued)

Device Tested at: $V_{SUPPLY} = \pm 15V$, $R_{SOURCE} = 100\Omega$, $R_{LOAD} = 500k\Omega$, $V_{OUT} = 0V$, Unless Otherwise Specified.

PARAMETER	SYMBOL	CONDITIONS	GROUP A SUBGROUPS	TEMP (°C)	HA-2510/883		HA-2512/883		UNITS
					MIN	MAX	MIN	MAX	
Output Voltage Swing	+V _{OUT}	R _L = 2kΩ	4	25	10	-	10	-	V
			5, 6	125, -55	10	-	10	-	V
	-V _{OUT}	R _L = 2kΩ	4	25	-	-10	-	-10	V
			5, 6	125, -55	-	-10	-	-10	V
Output Current	+I _{OUT}	V _{OUT} = -10V	4	25	10	-	10	-	mA
			5, 6	125, -55	7.5	-	7.5	-	mA
	-I _{OUT}	V _{OUT} = +10V	4	25	-	-10	-	-10	mA
			5, 6	125, -55	-	-7.5	-	-7.5	mA
Quiescent Power Supply Current	+I _{CC}	V _{OUT} = 0V, I _{OUT} = 0mA	1	25	-	6	-	6	mA
			2, 3	125, -55	-	6.5	-	7	mA
	-I _{CC}	V _{OUT} = 0V, I _{OUT} = 0mA	1	25	-6	-	-6	-	mA
			2, 3	125, -55	-6.5	-	-7	-	mA
Power Supply Rejection Ratio	+PSRR	$\Delta V_{SUP} = 10V$, V ₊ = +20V, V ₋ = -15V, V ₊ = +10V, V ₋ = -15V	1	25	80	-	74	-	dB
			2, 3	125, -55	80	-	74	-	dB
	-PSRR	$\Delta V_{SUP} = 10V$, V ₊ = +15V, V ₋ = -20V, V ₊ = +15V, V ₋ = -10V	1	25	80	-	74	-	dB
			2, 3	125, -55	80	-	74	-	dB
Offset Voltage Adjustment	+V _{IOAdj}	Note 2	1	25	V _{IO-1}	-	V _{IO-1}	-	mV
			2, 3	125, -55	V _{IO-1}	-	V _{IO-1}	-	mV
	-V _{IOAdj}	Note 2	1	25	V _{IO+1}	-	V _{IO+1}	-	mV
			2, 3	125, -55	V _{IO+1}	-	V _{IO+1}	-	mV

NOTE:

- Offset adjustment range is [V_{IO}(Measured) ±1mV] minimum referred to output. This test is for functionality only to assure adjustment through 0V.

TABLE 2. AC ELECTRICAL PERFORMANCE CHARACTERISTICS

Device Tested at: $V_{SUPPLY} = \pm 15V$, $R_{SOURCE} = 50\Omega$, $R_{LOAD} = 2k\Omega$, $C_{LOAD} = 50pF$, $A_{VCL} = +1V/V$, Unless Otherwise Specified.

PARAMETER	SYMBOL	CONDITIONS	GROUP A SUBGROUPS	TEMP (°C)	HA-2510/883		HA-2512/883		UNITS
					MIN	MAX	MIN	MAX	
Slew Rate	+SR	V _{OUT} = -5V to +5V 25% ≤ +SR ≤ 75%	7	25	50	-	40	-	V/μs
			8A, 8B	125, -55	45	-	35	-	V/μs
	-SR	V _{OUT} = +5V to -5V 75% ≥ -SR ≥ 25%	7	25	50	-	40	-	V/μs
			8A, 8B	125, -55	45	-	35	-	V/μs

HA-2510/883, HA-2512/883

TABLE 2. AC ELECTRICAL PERFORMANCE CHARACTERISTICS (Continued)

Device Tested at: $V_{SUPPLY} = \pm 15V$, $R_{SOURCE} = 50\Omega$, $R_{LOAD} = 2k\Omega$, $C_{LOAD} = 50pF$, $A_{VCL} = +1V/V$, Unless Otherwise Specified.

PARAMETER	SYMBOL	CONDITIONS	GROUP A SUBGROUPS	TEMP (°C)	HA-2510/883		HA-2512/883		UNITS
					MIN	MAX	MIN	MAX	
Rise and Fall Time	t_r	$V_{OUT} = 0$ to $+200mV$ $10\% \leq t_r \leq 90\%$	7	25	-	50	-	50	ns
			8A, 8B	125, -55	-	60	-	60	ns
	t_f	$V_{OUT} = 0$ to $-200mV$ $10\% \leq t_f \leq 90\%$	7	25	-	50	-	50	ns
			8A, 8B	125, -55	-	60	-	60	ns
Overshoot	+OS	$V_{OUT} = 0$ to $+200mV$	7	25	-	40	-	50	%
			8A, 8B	125, -55	-	50	-	60	%
	-OS	$V_{OUT} = 0$ to $-200mV$	7	25	-	40	-	50	%
			8A, 8B	125, -55	-	50	-	60	%

TABLE 3. ELECTRICAL PERFORMANCE CHARACTERISTICS

Device Characterized at: $V_{SUPPLY} = \pm 15V$, $R_{LOAD} = 2k\Omega$, $C_{LOAD} = 50pF$, Unless Otherwise Specified.

PARAMETER	SYMBOL	CONDITIONS	NOTES	TEMP (°C)	HA-2510/883		HA-2512/883		UNITS
					MIN	MAX	MIN	MAX	
Differential Input Resistance	R_{IN}	$V_{CM} = 0V$	3	25	50	-	40	-	$M\Omega$
Full Power Bandwidth	FPBW	$V_{PEAK} = 10V$	3, 4	25	750	-	600	-	kHz
Minimum Closed Loop Stable Gain	CLSG	$R_L = 2k\Omega$, $C_L = 50pF$	3	-55 to 125	1	-	1	-	V/V
Quiescent Power Consumption	PC	$V_{OUT} = 0V$, $I_{OUT} = 0mA$	3, 5	-55 to 125	-	195	-	210	mW

NOTES:

3. Parameters listed in Table 3 are controlled via design or process parameters and are not directly tested at final production. These parameters are lab characterized upon initial design release, or upon design changes. These parameters are guaranteed by characterization based upon data from multiple production runs which reflect lot to lot and within lot variation.
4. Full Power Bandwidth guarantee based on Slew Rate measurement using $FPBW = \text{Slew Rate} / (2\pi V_{PEAK})$.
5. Quiescent Power Consumption based upon Quiescent Supply Current test maximum. (No load on outputs.)

TABLE 4. ELECTRICAL TEST REQUIREMENTS

MIL-STD-883 TEST REQUIREMENTS	SUBGROUPS (SEE TABLES 1 AND 2)
Interim Electrical Parameters (Pre Burn-In)	1
Final Electrical Test Parameters	1 (Note 6), 2, 3, 4, 5, 6, 7, 8A, 8B
Group A Test Requirements	1, 2, 3, 4, 5, 6, 7, 8A, 8B
Groups C and D Endpoints	1

NOTE:

6. PDA applies to Subgroup 1 only.

HA-2510/883, HA-2512/883

Die Characteristics

DIE DIMENSIONS:

65 mils x 57 mils x 19 mils
1650 μ m x 1450 μ m x 483 μ m

METALLIZATION:

Type: Al, 1% Cu
Thickness: 16k Å \pm 2k Å

GLASSIVATION:

Type: Nitride (Si₃N₄) over Silox (SiO₂, 5% Phos.)
Silox Thickness: 12k Å \pm 2k Å
Nitride Thickness: 3.5k Å \pm 1.5k Å

WORST CASE CURRENT DENSITY:

0.3 x 10⁵ A/cm²

SUBSTRATE POTENTIAL (Powered Up):

Unbiased

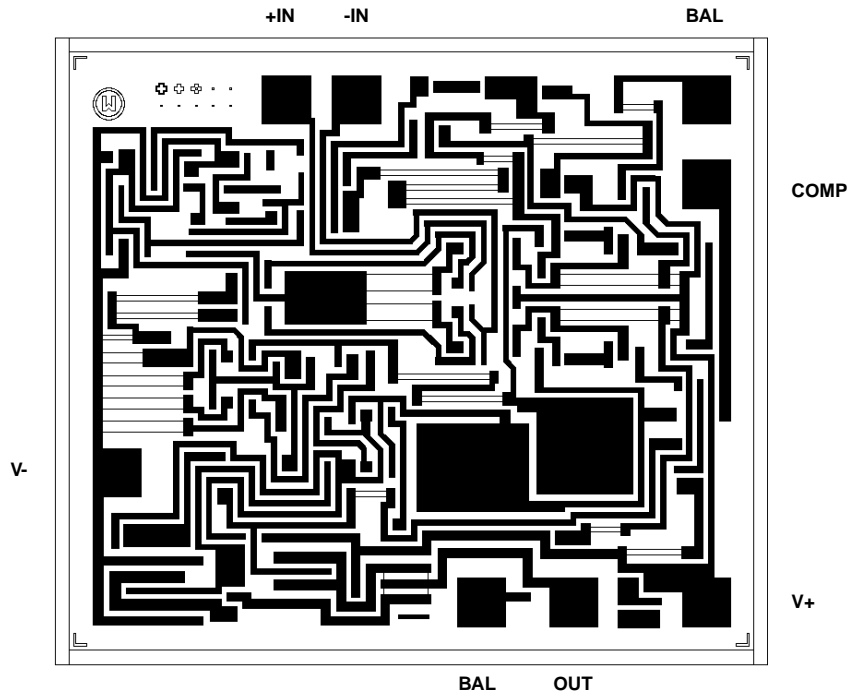
TRANSISTOR COUNT:

HA-2510/883: 40
HA-2512/883: 40

PROCESS: Bipolar Dielectric Isolation

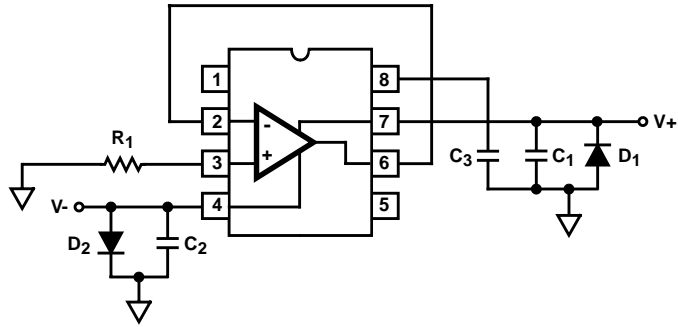
Metallization Mask Layout

HA-2510/883, HA-2512/883

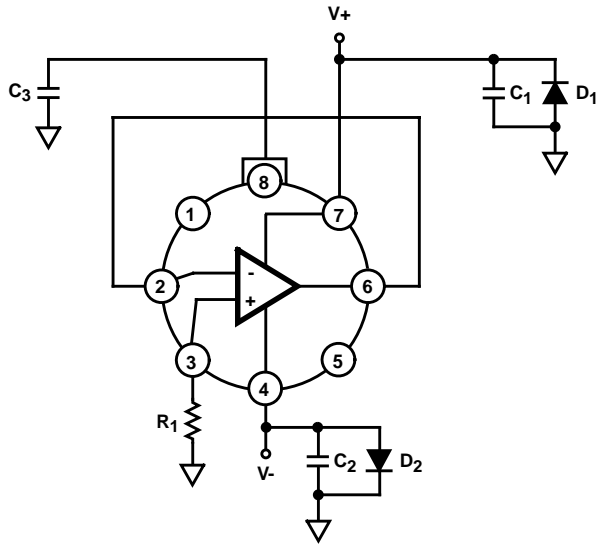


Burn-In Circuits

HA7-2510/883 CERDIP



HA2-2510/883 METAL CAN
HA2-2512/883 METAL CAN

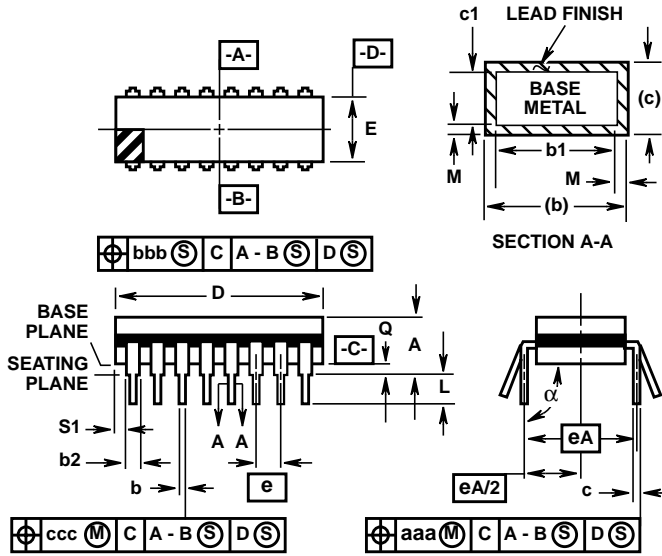


NOTES:

- $R_1 = 1M\Omega, \pm 5\%, 1/4W$ (Min)
- $C_1 = C_2 = 0.01\mu F$ /Socket (Min) or $0.1\mu F$ /Row (Min)
- $C_3 = 0.01\mu F$ /Socket (10%)
- $D_1 = D_2 = 1N4002$ or Equivalent/Board
- $|(V+) - (V-)| = 30V$

Ceramic Dual-In-Line Frit Seal Packages (CERDIP)

**F8.3A MIL-STD-1835 GDIP1-T8 (D-4, CONFIGURATION A)
8 LEAD CERAMIC DUAL-IN-LINE FRIT SEAL PACKAGE**



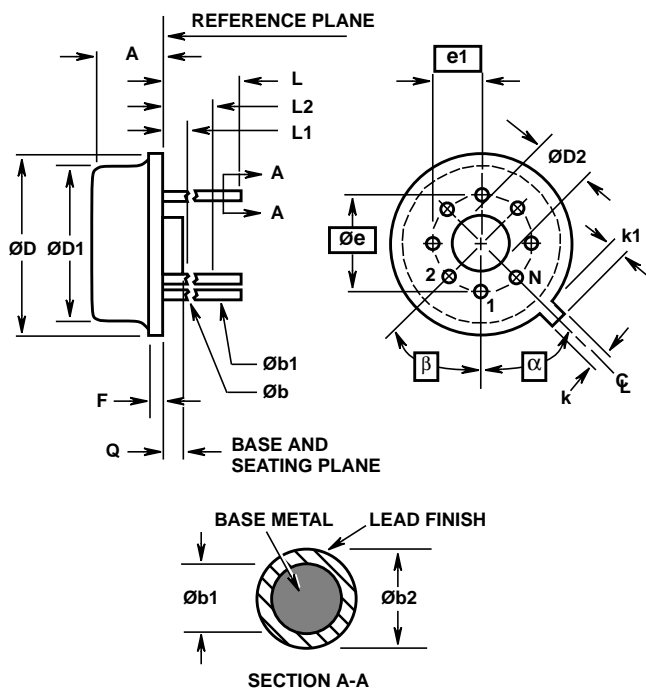
SYMBOL	INCHES		MILLIMETERS		NOTES
	MIN	MAX	MIN	MAX	
A	-	0.200	-	5.08	-
b	0.014	0.026	0.36	0.66	2
b1	0.014	0.023	0.36	0.58	3
b2	0.045	0.065	1.14	1.65	-
b3	0.023	0.045	0.58	1.14	4
c	0.008	0.018	0.20	0.46	2
c1	0.008	0.015	0.20	0.38	3
D	-	0.405	-	10.29	5
E	0.220	0.310	5.59	7.87	5
e	0.100 BSC		2.54 BSC		-
eA	0.300 BSC		7.62 BSC		-
eA/2	0.150 BSC		3.81 BSC		-
L	0.125	0.200	3.18	5.08	-
Q	0.015	0.060	0.38	1.52	6
S1	0.005	-	0.13	-	7
alpha	90°	105°	90°	105°	-
aaa	-	0.015	-	0.38	-
bbb	-	0.030	-	0.76	-
ccc	-	0.010	-	0.25	-
M	-	0.0015	-	0.038	2, 3
N	8		8		8

NOTES:

1. Index area: A notch or a pin one identification mark shall be located adjacent to pin one and shall be located within the shaded area shown. The manufacturer's identification shall not be used as a pin one identification mark.
2. The maximum limits of lead dimensions b and c or M shall be measured at the centroid of the finished lead surfaces, when solder dip or tin plate lead finish is applied.
3. Dimensions b1 and c1 apply to lead base metal only. Dimension M applies to lead plating and finish thickness.
4. Corner leads (1, N, N/2, and N/2+1) may be configured with a partial lead paddle. For this configuration dimension b3 replaces dimension b2.
5. This dimension allows for off-center lid, meniscus, and glass overrun.
6. Dimension Q shall be measured from the seating plane to the base plane.
7. Measure dimension S1 at all four corners.
8. N is the maximum number of terminal positions.
9. Dimensioning and tolerancing per ANSI Y14.5M - 1982.
10. Controlling dimension: INCH.

Rev. 0 4/94

Metal Can Packages (Can)



**T8.C MIL-STD-1835 MACY1-X8 (A1)
8 LEAD METAL CAN PACKAGE**

SYMBOL	INCHES		MILLIMETERS		NOTES
	MIN	MAX	MIN	MAX	
A	0.165	0.185	4.19	4.70	-
Øb	0.016	0.019	0.41	0.48	1
Øb1	0.016	0.021	0.41	0.53	1
Øb2	0.016	0.024	0.41	0.61	-
ØD	0.335	0.375	8.51	9.40	-
ØD1	0.305	0.335	7.75	8.51	-
ØD2	0.110	0.160	2.79	4.06	-
e	0.200 BSC		5.08 BSC		-
e1	0.100 BSC		2.54 BSC		-
F	-	0.040	-	1.02	-
k	0.027	0.034	0.69	0.86	-
k1	0.027	0.045	0.69	1.14	2
L	0.500	0.750	12.70	19.05	1
L1	-	0.050	-	1.27	1
L2	0.250	-	6.35	-	1
Q	0.010	0.045	0.25	1.14	-
α	45° BSC		45° BSC		3
β	45° BSC		45° BSC		3
N	8		8		4

Rev. 0 5/18/94

NOTES:

1. (All leads) Øb applies between L1 and L2. Øb1 applies between L2 and 0.500 from the reference plane. Diameter is uncontrolled in L1 and beyond 0.500 from the reference plane.
2. Measured from maximum diameter of the product.
3. α is the basic spacing from the centerline of the tab to terminal 1 and β is the basic spacing of each lead or lead position (N - 1 places) from α, looking at the bottom of the package.
4. N is the maximum number of terminal positions.
5. Dimensioning and tolerancing per ANSI Y14.5M - 1982.
6. Controlling dimension: INCH.

All Intersil semiconductor products are manufactured, assembled and tested under **ISO9000** quality systems certification.

Intersil products are sold by description only. Intersil Corporation reserves the right to make changes in circuit design and/or specifications at any time without notice. Accordingly, the reader is cautioned to verify that data sheets are current before placing orders. Information furnished by Intersil is believed to be accurate and reliable. However, no responsibility is assumed by Intersil or its subsidiaries for its use; nor for any infringements of patents or other rights of third parties which may result from its use. No license is granted by implication or otherwise under any patent or patent rights of Intersil or its subsidiaries.

For information regarding Intersil Corporation and its products, see web site <http://www.intersil.com>

Sales Office Headquarters

NORTH AMERICA
Intersil Corporation
P. O. Box 883, Mail Stop 53-204
Melbourne, FL 32902
TEL: (321) 724-7000
FAX: (321) 724-7240

EUROPE
Intersil SA
Mercure Center
100, Rue de la Fusee
1130 Brussels, Belgium
TEL: (32) 2.724.2111
FAX: (32) 2.724.22.05

ASIA
Intersil (Taiwan) Ltd.
Taiwan Limited
7F-6, No. 101 Fu Hsing North Road
Taipei, Taiwan
Republic of China
TEL: (886) 2 2716 9310
FAX: (886) 2 2715 3029