

Features

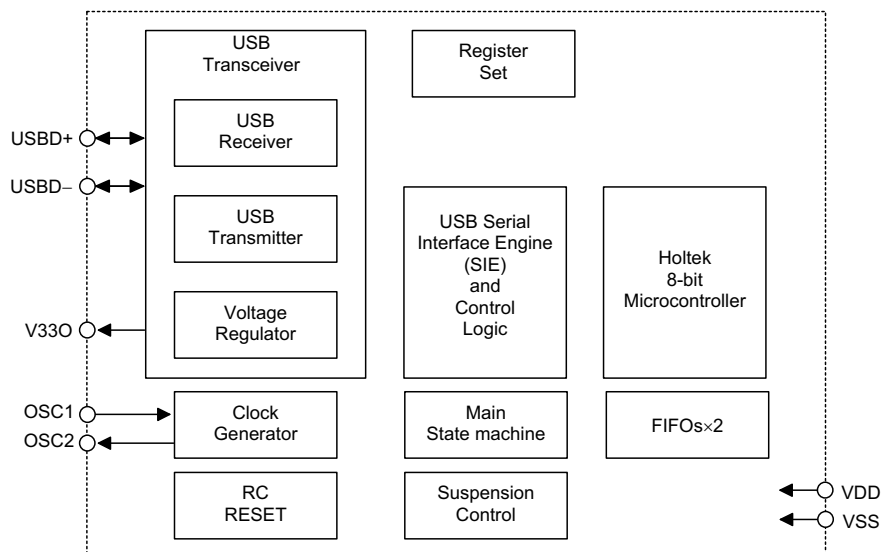
- Operating voltage: 4.4V~5.25V
- Compatible with Microsoft Windows 2000 and 5-button Wheel Mouse
- Complete Universal Serial Bus specs V1.1 compatibility
- Serial Bus Interface Engine (SIE)
- USB transceiver
- Microsoft 3D Intelli mouse and IBM PS/2 mouse compatible
- Supports five buttons and three axes input
- Z axis can support two kinds of scroller input (optomechanical and mechanical)
- Single chip solution especially for USB mouse function
- HALT function and wake-up feature reduce power consumption
- Plug and Play functions
- Minimal external components
- 6MHz crystal oscillator for system clock
- 20-pin DIP package

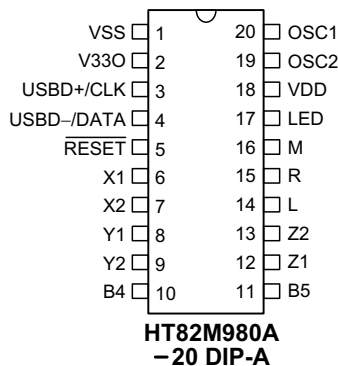
General Description

HT82M980A is a Plug and Play Windows 2000 and 5-button 3D USB+PS/2 Mouse controller. The HT82M980A can support the USB Standard Request as well as HID Class Request version 1.1. It is compatible with Microsoft Intelli 3D PS/2 mouse. The X/Y axis photo input with built-in Holtek's special dynamic photo-input resistor and Z axis can support two kinds of scroller in-

put, namely; mechanical and optomechanical. It requires minimal external components to implement 3D USB plus PS/2 mouse. All its features combined and make up this versatile Holtek 8-bit MCU with an on-chip USB interface logic. The USB is specified by the *Universal Serial Bus Specification V1.1*.

Block Diagram



Pin Assignment

Pin Description

Pin No.	Pin Name	I/O	Description
USB Interface (2 pins)			
3	USB+/CLK	I/O	USB data plus or PS2 Clock, F/W auto-detect USB+ for USB, CLK for PS2
4	USB-/DATA	I/O	USB data minus or PS2 Data, F/W auto-detect USB- for USB, DATA for PS2
General purpose I/O (11 pins)			
6, 7	X1, X2	I	X-axis photo input with built-in Holtek's special dynamic photo input resistor
8, 9	Y1, Y2	I	Y-axis photo input with built-in Holtek's special dynamic photo input resistor
12, 13	Z1, Z2	I	Z-axis input supports two kinds of scroller input; optomechanical and mechanical
10, 11, 14, 15, 16	L, R, M, B4, B5	I	Input ports with pull-high resistor. These pads can function as Left, Right, Middle, B4 and B5 button input lines.
Miscellaneous (7 pins)			
1	VSS	—	Negative power supply, ground
2	V33O	O	3.3V voltage output
5	RESET	I	Chip reset input, low active
17	LED	I/O	Drives LED output
18	VDD	—	5V positive power supply
19	OSC2	O	6MHz OSC output
20	OSC1	I	6MHz OSC input

Absolute Maximum Ratings

Supply Voltage	-0.3V to 6V	Storage Temperature	-50°C to 125°C
MCU Input Voltage	$V_{SS}-0.3V$ to $V_{DD}+0.3V$	Operating Temperature	-25°C to 70°C
USB Input Voltage	$V_{SS}-0.3V$ to $V_{33O}+0.3V$		

Note: These are stress ratings only. Stresses exceeding the range specified under "Absolute Maximum Ratings" may cause substantial damage to the device. Functional operation of this device at other conditions beyond those listed in the specification is not implied and prolonged exposure to extreme conditions may affect device reliability.

D.C. Characteristics

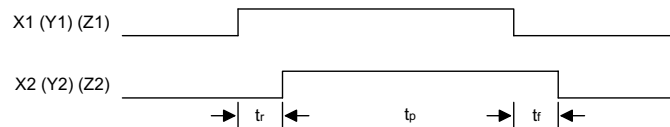
Ta=25°C

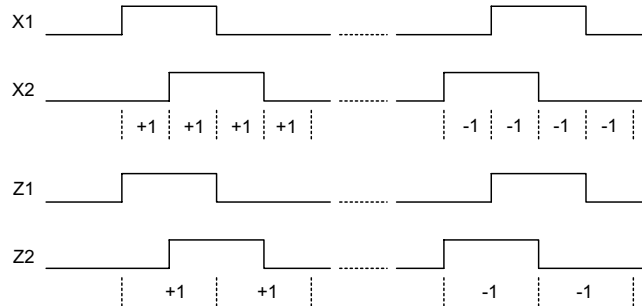
Symbol	Parameter	Test Conditions		Min.	Typ.	Max.	Unit
		V _{DD}	Conditions				
V _{DD}	Operating Voltage	—	—	4.4	—	5.25	V
I _{DD}	Operating Current (Crystal OSC)	5V	No load, f _{sys} =6MHz	—	10	—	mA
			USB mode	—	3	—	mA
			PS/2 mode	—	3	—	mA
I _{SUS}	USB Suspend Mode	5V	No load, system HALT	—	—	250	μA
V _{IL1}	Input Low Voltage (X1, X2, Y1, Y2, Z1, Z2, L, M, R, B4, B5)	5V	—	0	—	1.0	V
V _{IH1}	Input High Voltage (X1, X2, Y1, Y2, Z1, Z2, L, M, R, B4, B5)	5V	—	3.5	—	5	V
V _{IL2}	Input Low Voltage (RESET)	5V	—	0	—	1.5	V
V _{IH2}	Input High Voltage (RESET)	5V	—	3.5	—	5	V
V _{POR}	Built-in Power on Reset V _{DD} Detection Voltage	5V	—	—	3.7	—	V
I _{OL}	Sink Current (LED)	5V	V _{OL} =0.8V	—	50	—	mA

A.C. Characteristics

Ta=25°C

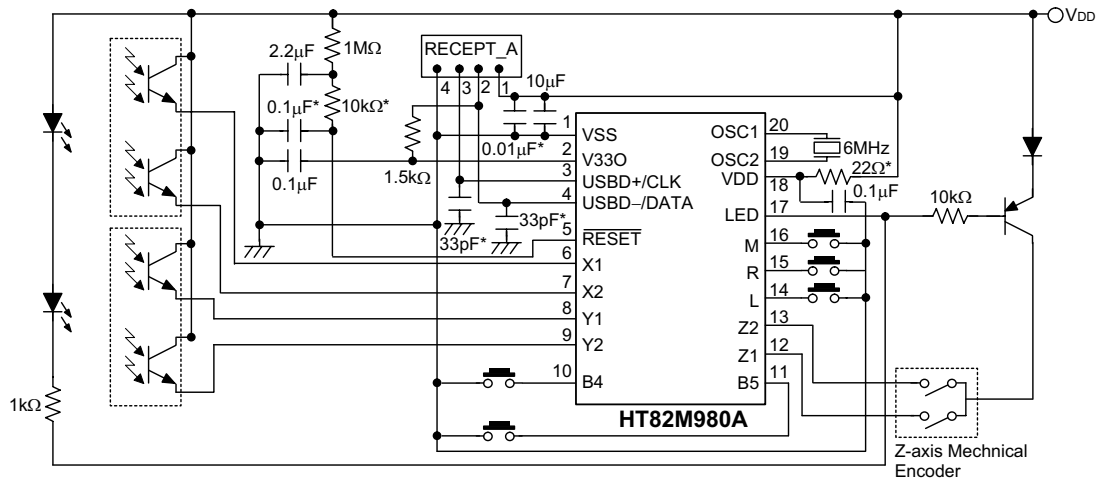
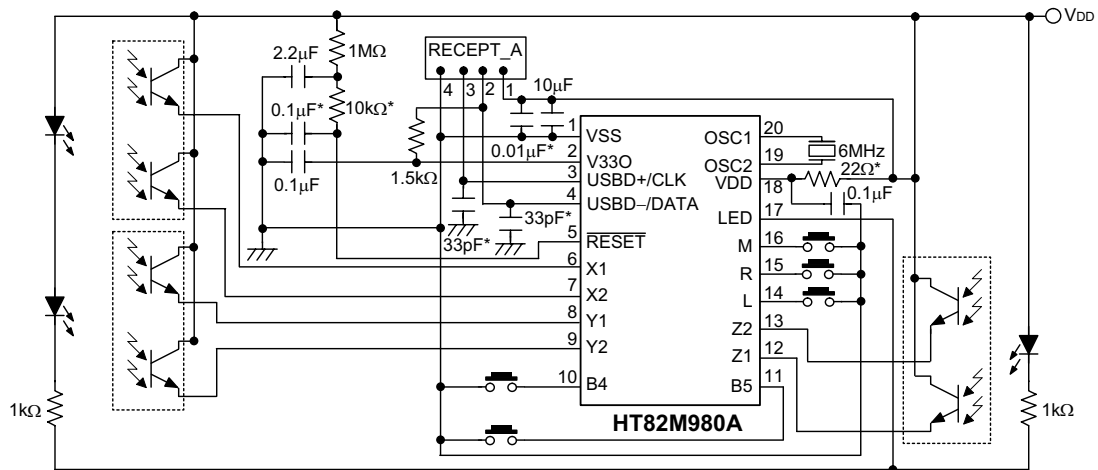
Symbol	Parameter	Test Conditions		Min.	Typ.	Max.	Unit
		V _{DD}	Conditions				
f _{sys}	System Clock (Crystal OSC)	5V	—	0	6000	—	kHz

 Note: t_{sys}=1/f_{sys}
Timing Diagram
X, Y Axis Photo-Coupler Crossed Width

 Note: For X, Y-axis tr, tp, tr > 30μs
 For Z-axis tr, tp, tr > 1ms

X, Y, Z Axis Counting


Application Circuits

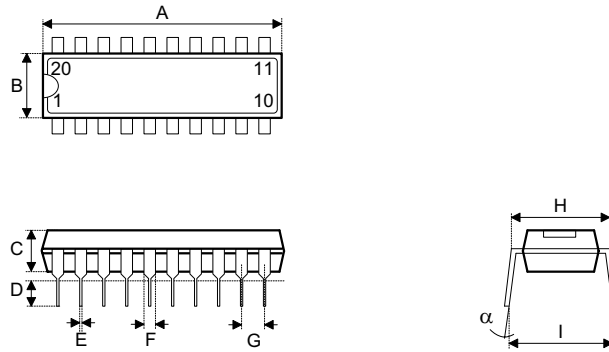
This Application Circuit is for Reference Only



- Note: Layout 0.1µF capacitor, 22Ω resistor and 0.01µF capacitor as close to VDD pin as possible.
- Layout power plane and ground plane as large as possible.
- Place 0.1µF capacitor as close to $\overline{\text{RESET}}$ pin as possible.
- Place 6MHz crystal as close to OSC1 and OSC2 pins as possible.
- Components with * are used for EMC issue.

Package Information

20-pin DIP (300mil) Outline Dimensions



Symbol	Dimensions in mil		
	Min.	Nom.	Max.
A	1020	—	1045
B	240	—	260
C	125	—	135
D	125	—	145
E	16	—	20
F	50	—	70
G	—	100	—
H	295	—	315
I	335	—	375
α	0°	—	15°

Holtek Semiconductor Inc. (Headquarters)

No.3, Creation Rd. II, Science-based Industrial Park, Hsinchu, Taiwan
Tel: 886-3-563-1999
Fax: 886-3-563-1189
<http://www.holtek.com.tw>

Holtek Semiconductor Inc. (Sales Office)

11F, No.576, Sec.7 Chung Hsiao E. Rd., Taipei, Taiwan
Tel: 886-2-2782-9635
Fax: 886-2-2782-9636
Fax: 886-2-2782-7128 (International sales hotline)

Holtek Semiconductor (Shanghai) Inc.

7th Floor, Building 2, No.889, Yi Shan Rd., Shanghai, China
Tel: 021-6485-5560
Fax: 021-6485-0313
<http://www.holtek.com.cn>

Holtek Semiconductor (Hong Kong) Ltd.

Block A, 3/F, Tin On Industrial Building, 777-779 Cheung Sha Wan Rd., Kowloon, Hong Kong
Tel: 852-2-745-8288
Fax: 852-2-742-8657

Holmate Semiconductor, Inc.

46712 Fremont Blvd., Fremont, CA 94538
Tel: 510-252-9880
Fax: 510-252-9885
<http://www.holmate.com>

Copyright © 2003 by HOLTEK SEMICONDUCTOR INC.

The information appearing in this Data Sheet is believed to be accurate at the time of publication. However, Holtek assumes no responsibility arising from the use of the specifications described. The applications mentioned herein are used solely for the purpose of illustration and Holtek makes no warranty or representation that such applications will be suitable without further modification, nor recommends the use of its products for application that may present a risk to human life due to malfunction or otherwise. Holtek's products are not authorized for use as critical components in life support devices or systems. Holtek reserves the right to alter its products without prior notification. For the most up-to-date information, please visit our web site at <http://www.holtek.com.tw>.