

Product Preview
Medium Power Surface Mount Products
TMOS Dual N-Channel
Field Effect Transistors



MMDF3200Z

Motorola Preferred Device

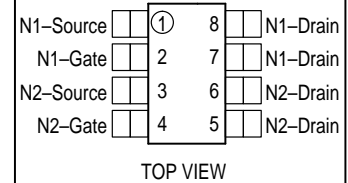
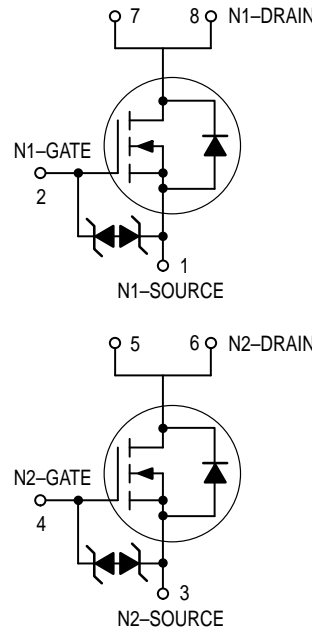
DUAL TMOS
POWER MOSFET
11.5 AMPERES
20 VOLTS
RDS(on) = 0.02 OHM



CASE 751-06, Style 11
SO-8

WaveFET™ devices are an advanced series of power MOSFETs which utilize Motorola's latest MOSFET technology process to achieve the lowest possible on-resistance per silicon area. They are capable of withstanding high energy in the avalanche and commutation modes and the drain-to-source diode has a very low reverse recovery time. WaveFET™ devices are designed for use in low voltage, high speed switching applications where power efficiency is important. Typical applications are dc-dc converters, and power management in portable and battery powered products such as computers, printers, cellular and cordless phones. They can also be used for low voltage motor controls in mass storage products such as disk drives and tape drives. The avalanche energy is specified to eliminate the guesswork in designs where inductive loads are switched and offer additional safety margin against unexpected voltage transients.

- Zener Protected Gates Provide Electrostatic Discharge Protection
- Designed to withstand 200 V Machine Model and 2000 V Human Body Model
- Low R_{DS(on)} Provides Higher Efficiency and Extends Battery Life
- Logic Level Gate Drive — Can Be Driven by Logic ICs
- Miniature SO-8 Surface Mount Package — Saves Board Space
- Diode Is Characterized for Use In Bridge Circuits
- Diode Exhibits High Speed, With Soft Recovery
- I_{DSS} Specified at Elevated Temperature
- Mounting Information for SO-8 Package Provided



MAXIMUM RATINGS (T_J = 25°C unless otherwise noted)

Rating	Symbol	Max	Unit
Drain-to-Source Voltage	V _{DSS}	20	V
Drain-to-Gate Voltage (R _{GS} = 1.0 MΩ)	V _{DGR}	20	V
Gate-to-Source Voltage — Continuous	V _{GS}	± 12	V
Operating and Storage Temperature Range	T _J , T _{stg}	- 55 to 150	°C

DEVICE MARKING

ORDERING INFORMATION

Device	Reel Size	Tape Width	Quantity
D3200	13"	12 mm embossed tape	4000 units
MMDF3200Z			

This document contains information on a product under development. Motorola reserves the right to change or discontinue this product without notice. HDTMOS is a trademark of Motorola, Inc. TMOS is a registered trademark of Motorola, Inc.

Preferred devices are Motorola recommended choices for future use and best overall value.

MMDF3200Z

MAXIMUM RATINGS ($T_J = 25^\circ\text{C}$ unless otherwise specified)

When mounted on 1 inch square (25.40 mm square) FR-4 or G-10 board ($V_{GS} = 10\text{ V @ 10 Seconds}$)

Parameter	Symbol	Maximum	Unit
Drain Current — Continuous @ $T_A = 25^\circ\text{C}$ — Continuous @ $T_A = 70^\circ\text{C}$ — Pulsed Drain Current (1)	I_D	11.5	A
	I_D	9.2	A
	I_{DM}	57.5	A
Total Power Dissipation @ $T_A = 25^\circ\text{C}$ Linear Derating Factor	P_D	2.0	Watts
		16	mW/ $^\circ\text{C}$
Thermal Resistance — Junction to Ambient	$R_{\theta JA}$	62.5	$^\circ\text{C/W}$
Continuous Source Current (Diode Current)	I_S	TBD	A

When mounted on 1 inch square (25.40 mm square) FR-4 or G-10 board ($V_{GS} = 10\text{ V @ Steady State}$)

Parameter	Symbol	Maximum	Unit
Drain Current — Continuous @ $T_A = 25^\circ\text{C}$ — Continuous @ $T_A = 70^\circ\text{C}$ — Pulsed Drain Current (1)	I_D	8.0	A
	I_D	5.9	A
	I_{DM}	40	A
Total Power Dissipation @ $T_A = 25^\circ\text{C}$ Linear Derating Factor	P_D	1.28	Watts
		10.2	mW/ $^\circ\text{C}$
Thermal Resistance — Junction to Ambient	$R_{\theta JA}$	98	$^\circ\text{C/W}$
Continuous Source Current (Diode Current)	I_S	TBD	A

When mounted on minimum FR-4 or G-10 board ($V_{GS} = 10\text{ V @ Steady State}$)

Parameter	Symbol	Maximum	Unit
Drain Current — Continuous @ $T_A = 25^\circ\text{C}$ — Continuous @ $T_A = 70^\circ\text{C}$ — Pulsed Drain Current (1)	I_D	7.1	A
	I_D	5.2	A
	I_{DM}	35.5	A
Total Power Dissipation @ $T_A = 25^\circ\text{C}$ Linear Derating Factor	P_D	0.75	Watts
		6.0	mW/ $^\circ\text{C}$
Thermal Resistance — Junction to Ambient	$R_{\theta JA}$	166	$^\circ\text{C/W}$
Continuous Source Current (Diode Current)	I_S	TBD	A

(1) Repetitive rating; pulse width limited by maximum junction temperature.

ELECTRICAL CHARACTERISTICS ($T_A = 25^\circ\text{C}$ unless otherwise noted)

Characteristic	Symbol	Min	Typ	Max	Unit
OFF CHARACTERISTICS					
Drain-to-Source Breakdown Voltage ($V_{GS} = 0\text{ Vdc}$, $I_D = 0.25\text{ mAdc}$) Temperature Coefficient (Positive)	$V_{(BR)DSS}$	20 —	— TBD	— —	Vdc mV/°C
Zero Gate Voltage Drain Current ($V_{DS} = 20\text{ Vdc}$, $V_{GS} = 0\text{ Vdc}$) ($V_{DS} = 20\text{ Vdc}$, $V_{GS} = 0\text{ Vdc}$, $T_J = 125^\circ\text{C}$)	I_{DSS}	— —	— —	1.0 10	μAdc
Gate-Body Leakage Current ($V_{GS} = \pm 12\text{ Vdc}$, $V_{DS} = 0\text{ Vdc}$)	I_{GSS}	—	TBD	1.0	μA

ON CHARACTERISTICS(1)

Gate Threshold Voltage ($V_{DS} = V_{GS}$, $I_D = 0.25\text{ mAdc}$) Threshold Temperature Coefficient (Negative)	$V_{GS(th)}$	0.5 —	0.8 TBD	1.2 —	Vdc mV/°C
Static Drain-to-Source On-Resistance ($V_{GS} = 4.5\text{ Vdc}$, $I_D = 11.5\text{ Adc}$) ($V_{GS} = 2.5\text{ Vdc}$, $I_D = 5.9\text{ Adc}$)	$R_{DS(on)}$	— —	TBD TBD	20 30	m Ω
Forward Transconductance ($V_{DS} = 8.0\text{ Vdc}$, $I_D = 3.0\text{ Adc}$)	gFS	5.0	TBD	—	Mhos

DYNAMIC CHARACTERISTICS

Input Capacitance	$(V_{DS} = 15\text{ Vdc}$, $V_{GS} = 0\text{ Vdc}$, $f = 1.0\text{ MHz}$)	C_{iss}	—	TBD	TBD	pF
Output Capacitance		C_{oss}	—	TBD	TBD	
Transfer Capacitance		C_{rss}	—	TBD	TBD	

SWITCHING CHARACTERISTICS(2)

Turn-On Delay Time	$(V_{DD} = 16\text{ Vdc}$, $I_D = 11.5\text{ Adc}$, $V_{GS} = 4.5\text{ Vdc}$, $R_G = 10\ \Omega$)	$t_{d(on)}$	—	TBD	TBD	ns
Rise Time		t_r	—	TBD	TBD	
Turn-Off Delay Time		$t_{d(off)}$	—	TBD	TBD	
Fall Time		t_f	—	TBD	TBD	
Gate Charge See Figure 8	$(V_{DS} = 16\text{ Vdc}$, $I_D = 11.5\text{ Adc}$, $V_{GS} = 4.5\text{ Vdc}$)	Q_T	—	TBD	TBD	nC
		Q_1	—	TBD	—	
		Q_2	—	TBD	—	
		Q_3	—	TBD	—	

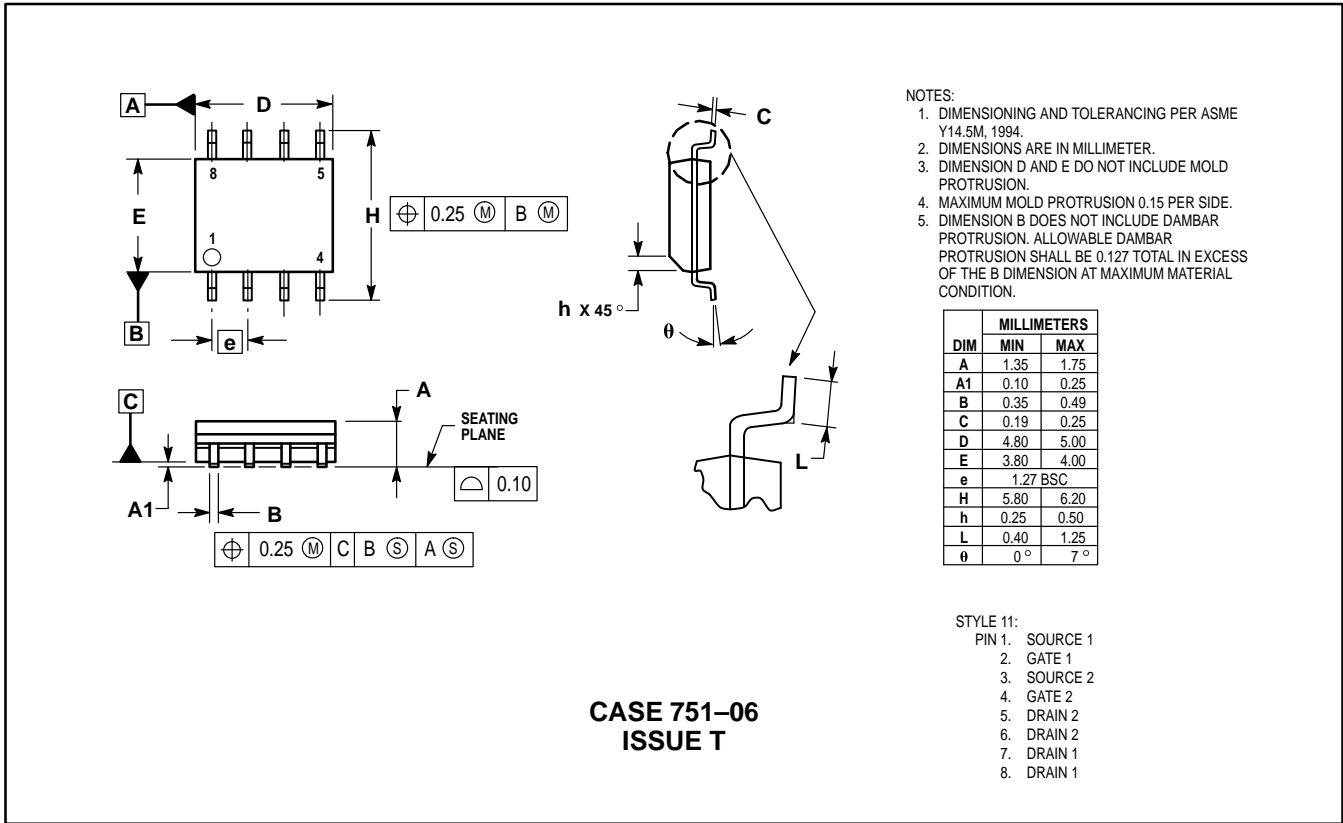
SOURCE-DRAIN DIODE CHARACTERISTICS

Forward On-Voltage	$(I_S = 11.5\text{ Adc}$, $V_{GS} = 0\text{ Vdc}$) $(I_S = 11.5\text{ Adc}$, $V_{GS} = 0\text{ Vdc}$, $T_J = 125^\circ\text{C}$)	V_{SD}	— —	TBD TBD	1.2 —	Vdc
Reverse Recovery Time	$(I_S = 11.5\text{ Adc}$, $V_{GS} = 0\text{ Vdc}$, $dI_S/dt = 100\text{ A}/\mu\text{s}$)	t_{rr}	—	TBD	—	ns
		t_a	—	TBD	—	
		t_b	—	TBD	—	
Reverse Recovery Stored Charge		Q_{RR}	—	TBD	—	μC

(1) Pulse Test: Pulse Width $\leq 300\ \mu\text{s}$, Duty Cycle $\leq 2\%$.

(2) Switching characteristics are independent of operating junction temperature.

PACKAGE DIMENSIONS



Motorola reserves the right to make changes without further notice to any products herein. Motorola makes no warranty, representation or guarantee regarding the suitability of its products for any particular purpose, nor does Motorola assume any liability arising out of the application or use of any product or circuit, and specifically disclaims any and all liability, including without limitation consequential or incidental damages. "Typical" parameters which may be provided in Motorola data sheets and/or specifications can and do vary in different applications and actual performance may vary over time. All operating parameters, including "Typicals" must be validated for each customer application by customer's technical experts. Motorola does not convey any license under its patent rights nor the rights of others. Motorola products are not designed, intended, or authorized for use as components in systems intended for surgical implant into the body, or other applications intended to support or sustain life, or for any other application in which the failure of the Motorola product could create a situation where personal injury or death may occur. Should Buyer purchase or use Motorola products for any such unintended or unauthorized application, Buyer shall indemnify and hold Motorola and its officers, employees, subsidiaries, affiliates, and distributors harmless against all claims, costs, damages, and expenses, and reasonable attorney fees arising out of, directly or indirectly, any claim of personal injury or death associated with such unintended or unauthorized use, even if such claim alleges that Motorola was negligent regarding the design or manufacture of the part. Motorola and are registered trademarks of Motorola, Inc. Motorola, Inc. is an Equal Opportunity/Affirmative Action Employer.

Mfax is a trademark of Motorola, Inc.

How to reach us:

USA/EUROPE/Locations Not Listed: Motorola Literature Distribution; P.O. Box 5405, Denver, Colorado 80217. 1-303-675-2140 or 1-800-441-2447

JAPAN: Nippon Motorola Ltd.: SPD, Strategic Planning Office, 4-32-1, Nishi-Gotanda, Shinagawa-ku, Tokyo 141, Japan. 81-3-5487-8488

Customer Focus Center: 1-800-521-6274

Mfax™: RMFAX0@email.sps.mot.com – TOUCHTONE 1-602-244-6609
 Motorola Fax Back System – US & Canada ONLY 1-800-774-1848
 – http://sps.motorola.com/mfax/

ASIA/PACIFIC: Motorola Semiconductors H.K. Ltd.; 8B Tai Ping Industrial Park, 51 Ting Kok Road, Tai Po, N.T., Hong Kong. 852-26629298

HOME PAGE: <http://motorola.com/sps/>

