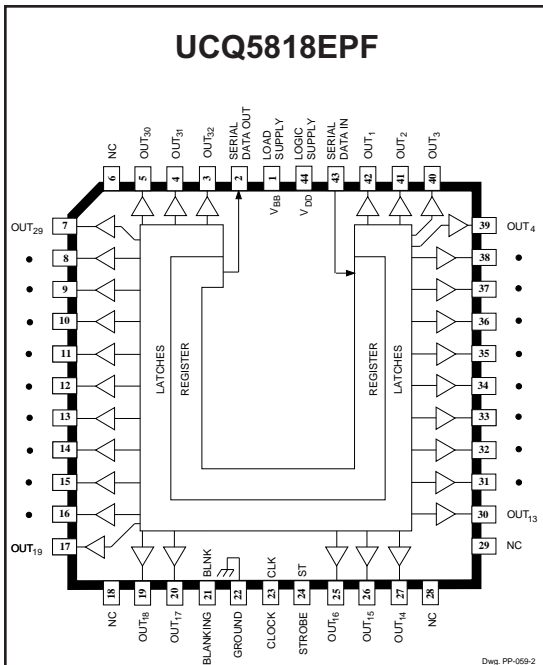


5818-F

BiMOS II 32-BIT SERIAL-INPUT, LATCHED SOURCE DRIVERS FOR -40°C TO +85°C OPERATION



ABSOLUTE MAXIMUM RATINGS at T_A = 25°C

Logic Supply Voltage, V _{DD}	15 V
Driver Supply Voltage, V _{BB}	60 V
Continuous Output Current, I _{OUT}	-40 mA to +15 mA
Input Voltage Range, V _{IN}	-0.3 V to V_{DD} + 0.3 V
Package Power Dissipation, P _D (UCQ5818AF)	3.5 W*
(UCQ5818EPF)	2.7 W†
Operating Temperature Range, T _A	-40°C to +85°C
Storage Temperature Range, T _S	-55°C to +150°C

* Derate at rate of 28 mW/°C above T_A = +25°C
† Derate at rate of 22 mW/°C above T_A = +25°C

Caution: CMOS devices have input static protection but are susceptible to damage when exposed to extremely high static electrical charges.

Designed primarily for use with vacuum-fluorescent displays, the UCQ5818AF and UCQ5818EPF smart power BiMOS II drivers combine CMOS shift registers, data latches, and control circuitry, with bipolar high-speed sourcing outputs and DMOS active pull-down circuitry. The high-speed shift register and data latches allow direct interfacing with microprocessor LSI-based systems. A CMOS serial data output enables cascade connections in applications requiring additional drive lines. Both devices feature 60 V and -40 mA output ratings, allowing them to be used in many other peripheral power driver applications.

These smart power drivers have been designed with BiMOS II logic for improved data entry rates. With a 5 V supply, they will typically operate above 5 MHz. At 12 V, significantly higher speeds are obtained. Use of these devices with TTL may require the use of appropriate pull-up resistors to ensure an input logic high. All devices can be operated over the ambient temperature range of -40°C to +85°C. The UCQ5818AF is supplied in a 40-pin plastic dual in-line package with 0.600" (15.24 mm) row spacing. A copper lead frame, reduced supply current requirement, and low output saturation voltage permits operation with minimum junction temperature rise. The 'A' package allows all 32 outputs to be operated at -25 mA continuously over the operating temperature range.

For high-density packaging applications, the UCQ5818EPF is furnished in a 44-lead plastic chip carrier (quad pack) for surface mounting on solder lands with 0.050" (1.27 mm) centers. The PLCC allows -25 mA continuous operation of all outputs simultaneously at ambient temperatures to 60°C. Similar devices are available as the UCQ5810AF/LWF (10 bits), UCQ5811A (12 bits), and UCQ5812AF/EPF (20 bits).

FEATURES

- 60 V Source Outputs
- High-Speed Source Drivers
- To 3.3 MHz Data Input Rate
- Low-Output Saturation Voltages
- Active DMOS Pull-Downs
- Low-Power CMOS Logic and Latches
- Reduced Supply Current Requirements
- Improved Replacements for SN75518N/FN

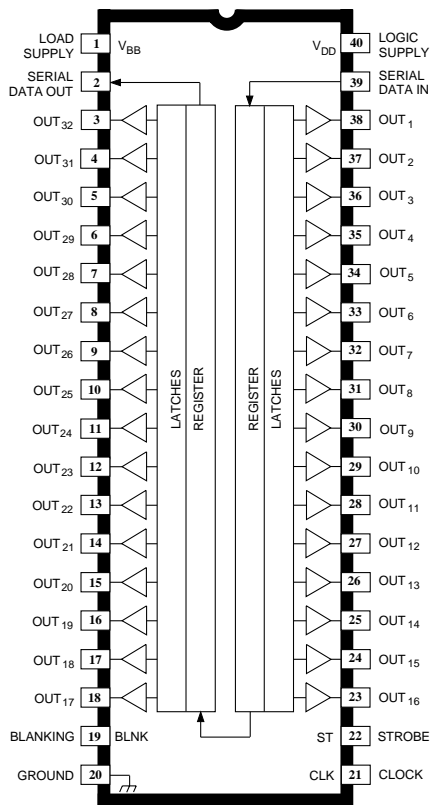
Always order by complete part number, e.g., **UCQ5818EPF**.

5818-F

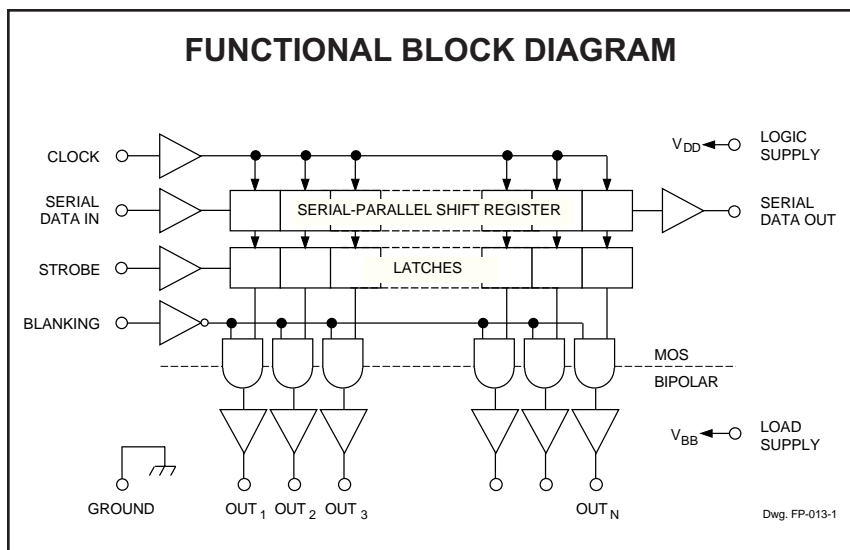
32-BIT SERIAL-INPUT, LATCHED SOURCE DRIVERS

FOR -40°C TO +85°C OPERATION

UCQ5818AF

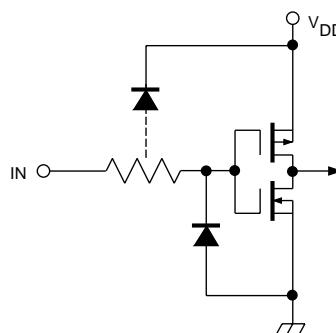


Dwg. PP-029-4



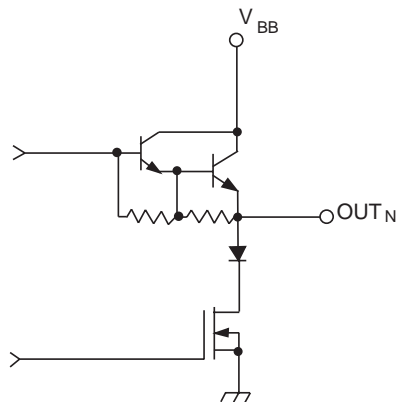
Dwg. FP-013-1

TYPICAL INPUT CIRCUIT

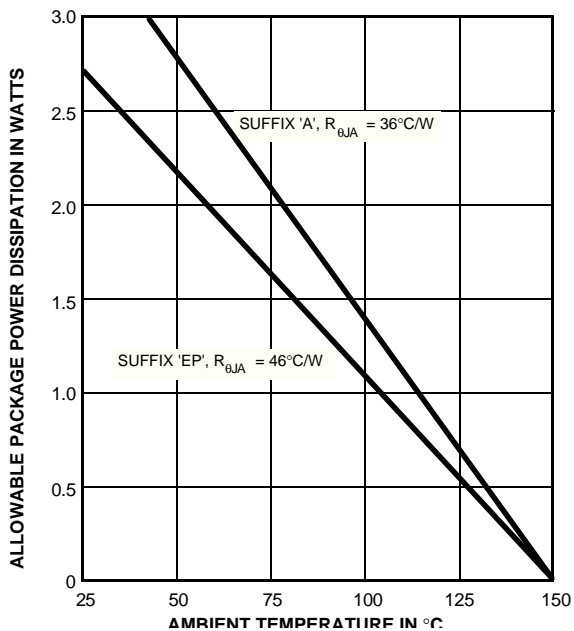


Dwg. EP-010-5

TYPICAL OUTPUT DRIVER



Dwg. No. A-14,219



Dwg. GP-025A



5818-F
32-BIT SERIAL-INPUT,
LATCHED SOURCE DRIVERS
FOR -40°C TO +85°C OPERATION

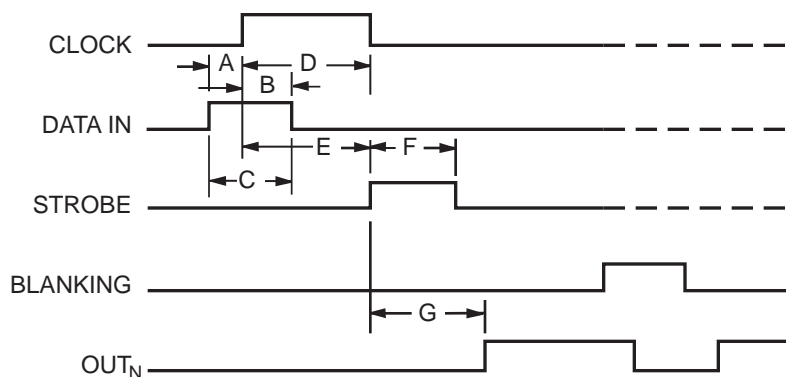
ELECTRICAL CHARACTERISTICS over operating temperature range, $V_{BB} = 60\text{ V}$ unless otherwise noted.

Characteristic	Symbol	Test Conditions	Limits @ $V_{DD} = 5\text{ V}$			Limits @ $V_{DD} = 12\text{ V}$			Units
			Min.	Typ.	Max.	Min.	Typ.	Max.	
Output Leakage Current	I_{CEX}	$V_{OUT} = 0\text{ V}$, $T_A = +70^\circ\text{C}$	—	-5.0	-15	—	-5.0	-15	μA
Output Voltage	$V_{OUT(1)}$	$I_{OUT} = -25\text{ mA}$	58	58.5	—	58	58.5	—	V
	$V_{OUT(0)}$	$I_{OUT} = 1\text{ mA}$	—	2.0	3.0	—	—	—	V
		$I_{OUT} = 2\text{ mA}$	—	—	—	—	2.0	3.5	V
Output Pull-Down Current	$I_{OUT(0)}$	$V_{OUT} = 5\text{ V to }V_{BB}$	2.0	3.5	—	—	—	—	mA
		$V_{OUT} = 20\text{ V to }V_{BB}$	—	—	—	8.0	13	—	mA
Input Voltage	$V_{IN(1)}$		3.5	—	5.3	10.5	—	12.3	V
	$V_{IN(0)}$		-0.3	—	+0.8	-0.3	—	+0.8	V
Input Current	$I_{IN(1)}$	$V_{IN} = V_{DD}$	—	0.05	0.5	—	0.1	1.0	μA
	$I_{IN(0)}$	$V_{IN} = 0.8\text{ V}$	—	-0.05	-0.5	—	-0.1	-1.0	μA
Serial Data Output Voltage	$V_{OUT(1)}$	$I_{OUT} = -200\ \mu\text{A}$	4.5	4.7	—	11.7	11.8	—	V
	$V_{OUT(0)}$	$I_{OUT} = 200\ \mu\text{A}$	—	200	250	—	100	200	mV
Maximum Clock Frequency	f_{clk}		3.3	5.0	—	—	7.5	—	MHz
Supply Current	$I_{DD(1)}$	All Outputs High	—	100	300	—	200	500	μA
	$I_{DD(0)}$	All Outputs Low	—	100	300	—	200	500	μA
	$I_{BB(1)}$	Outputs High, No Load	—	3.0	6.0	—	3.0	6.0	mA
	$I_{BB(0)}$	Outputs Low	—	10	100	—	10	100	μA
Blanking to Output Delay	t_{PHL}	$C_L = 30\text{ pF}$, 50% to 50%	—	2000	—	—	1000	—	ns
	t_{PLH}	$C_L = 30\text{ pF}$, 50% to 50%	—	1000	—	—	850	—	ns
Output Fall Time	t_f	$C_L = 30\text{ pF}$, 90% to 10%	—	1450	—	—	650	—	ns
Output Rise Time	t_r	$C_L = 30\text{ pF}$, 10% to 90%	—	650	—	—	700	—	ns

Negative current is defined as coming out of (sourcing) the specified device terminal.

5818-F

32-BIT SERIAL-INPUT, LATCHED SOURCE DRIVERS FOR -40°C TO +85°C OPERATION



Dwg. No. A-12,649A

TIMING CONDITIONS

(T_A = +25°C, V_{DD} = 5.0 V, Logic Levels are V_{DD} and Ground)

- A. Minimum Data Active Time Before Clock Pulse (Data Set-Up Time) **75 ns**
- B. Minimum Data Active Time After Clock Pulse (Data Hold Time) **75 ns**
- C. Minimum Data Pulse Width **150 ns**
- D. Minimum Clock Pulse Width **150 ns**
- E. Minimum Time Between Clock Activation and Strobe **300 ns**
- F. Minimum Strobe Pulse Width **100 ns**
- G. Typical Time Between Strobe Activation and Output Transition **500 ns**

Serial Data present at the input is transferred to the shift register on the logic "0" to logic "1" transition of the CLOCK input pulse. On succeeding CLOCK pulses, the registers shift data information towards the SERIAL DATA OUTPUT. The SERIAL DATA must appear at the input prior to the rising edge of the CLOCK input waveform.

Information present at any register is transferred to the respective latch when the STROBE is high (serial-to-parallel conversion). The latches will continue to accept new data as long as the STROBE is held high. Applications where the latches are bypassed (STROBE tied high) will require that the BLANKING input be high during serial data entry.

When the BLANKING input is high, the output source drivers are disabled (OFF); the DMOS sink drivers are ON, the information stored in the latches is not affected by the BLANKING input. With the BLANKING input low, the outputs are controlled by the state of their respective latches.

TRUTH TABLE

Serial Data Input	Clock Input	Shift Register Contents						Serial Data Output	Strobe Input	Latch Contents						Blanking	Output Contents					
		I ₁	I ₂	I ₃	...	I _{N-1}	I _N			I ₁	I ₂	I ₃	...	I _{N-1}	I _N		I ₁	I ₂	I ₃	...	I _{N-1}	I _N
H	┌	H	R ₁	R ₂	...	R _{N-2}	R _{N-1}	R _{N-1}														
L	┐	L	R ₁	R ₂	...	R _{N-2}	R _{N-1}	R _{N-1}														
X	┘	R ₁	R ₂	R ₃	...	R _{N-1}	R _N	R _N														
		X	X	X	...	X	X	X	L	R ₁	R ₂	R ₃	...	R _{N-1}	R _N							
		P ₁	P ₂	P ₃	...	P _{N-1}	P _N	P _N	H	P ₁	P ₂	P ₃	...	P _{N-1}	P _N	L						
					...					X	X	X	...	X	X	H	L	L	L			

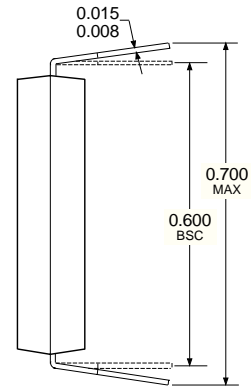
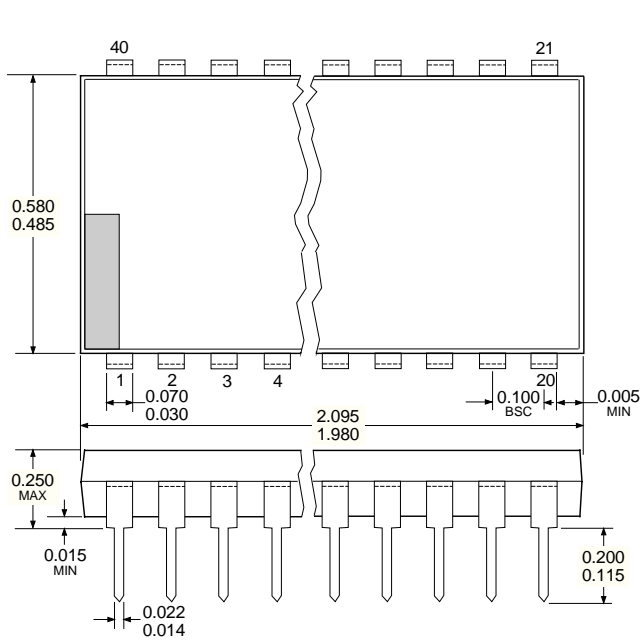
L = Low Logic Level H = High Logic Level X = Irrelevant P = Present State R = Previous State



5818-F
32-BIT SERIAL-INPUT,
LATCHED SOURCE DRIVERS
FOR -40°C TO +85°C OPERATION

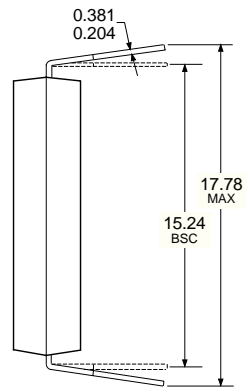
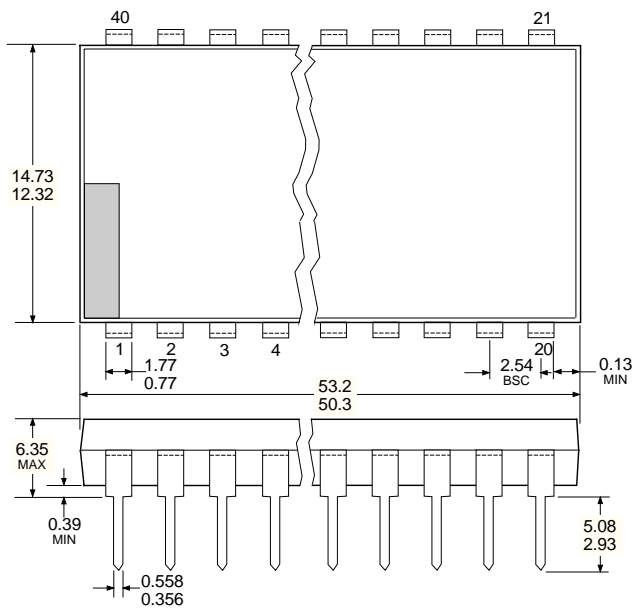
UCQ5818AF

Dimensions in Inches
 (controlling dimensions)



Dwg. MA-003-40 in

Dimensions in Millimeters
 (for reference only)

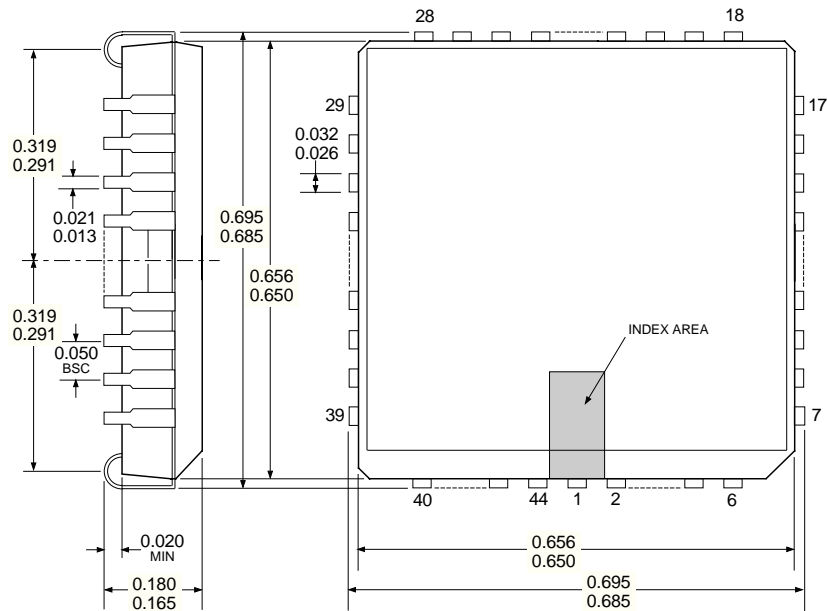


Dwg. MA-003-40 mm

- NOTES: 1. Exact body and lead configuration at vendor's option within limits shown.
 2. Lead spacing tolerance is non-cumulative.
 3. Lead thickness is measured at seating plane or below.

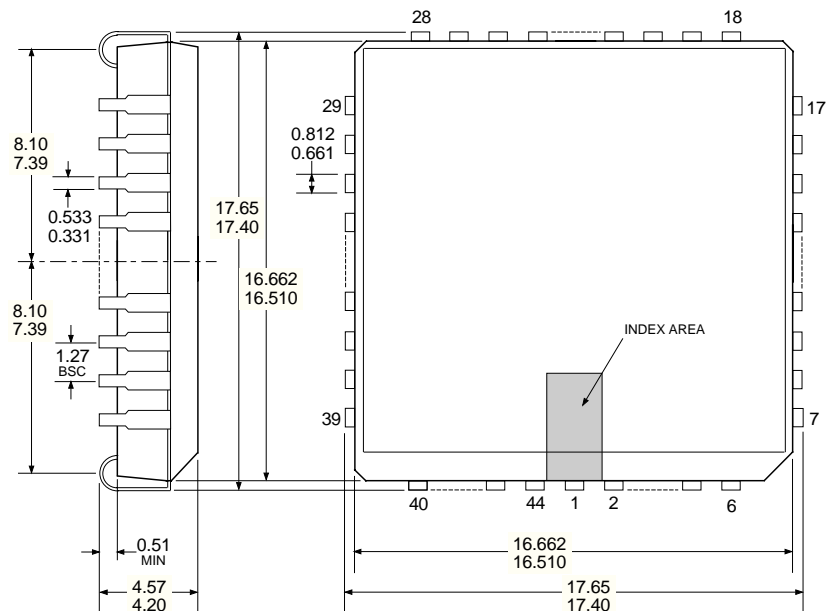
5818-F
32-BIT SERIAL-INPUT,
LATCHED SOURCE DRIVERS
FOR -40°C TO +85°C OPERATION

UCQ5818EPF
 Dimensions in Inches
 (controlling dimensions)



Dwg. MA-005-44A in

Dimensions in Millimeters
 (for reference only)



Dwg. MA-005-44A mm

- NOTES: 1. Exact body and lead configuration at vendor's option within limits shown.
 2. Lead spacing tolerance is non-cumulative.

5818-F
32-BIT SERIAL-INPUT,
LATCHED SOURCE DRIVERS
FOR -40°C TO +85°C OPERATION

This page intentionally left blank

5818-F
32-BIT SERIAL-INPUT,
LATCHED SOURCE DRIVERS
FOR -40°C TO +85°C OPERATION

BiMOS II (Series 5800) & DABiC IV (Series 6800)
INTELLIGENT POWER INTERFACE DRIVERS
SELECTION GUIDE

Function	Output Ratings *		Part Number †
SERIAL-INPUT LATCHED DRIVERS			
8-Bit (saturated drivers)	-120 mA	50 V‡	5895
8-Bit	350 mA	50 V	5821
8-Bit	350 mA	80 V	5822
8-Bit	350 mA	50 V‡	5841
8-Bit	350 mA	80 V‡	5842
9-Bit	1.6 A	50 V	5829
10-Bit (active pull-downs)	-25 mA	60 V	5810-F and 6809/10
12-Bit (active pull-downs)	-25 mA	60 V	5811 and 6811
20-Bit (active pull-downs)	-25 mA	60 V	5812-F and 6812
32-Bit (active pull-downs)	-25 mA	60 V	5818-F and 6818
32-Bit	100 mA	30 V	5833
32-Bit (saturated drivers)	100 mA	40 V	5832
PARALLEL-INPUT LATCHED DRIVERS			
4-Bit	350 mA	50 V‡	5800
8-Bit	-25 mA	60 V	5815
8-Bit	350 mA	50 V‡	5801
SPECIAL-PURPOSE FUNCTIONS			
Unipolar Stepper Motor Translator/Driver	1.25 A	50 V‡	5804
Addressable 28-Line Decoder/Driver	450 mA	30 V	6817

* Current is maximum specified test condition, voltage is maximum rating. See specification for sustaining voltage limits. Negative current is defined as coming out of (sourcing) the output.

† Complete part number includes additional characters to indicate operating temperature range and package style.

‡ Internal transient-suppression diodes included for inductive-load protection.

Allegro MicroSystems, Inc. reserves the right to make, from time to time, such departures from the detail specifications as may be required to permit improvements in the design of its products.

The information included herein is believed to be accurate and reliable. However, Allegro MicroSystems, Inc. assumes no responsibility for its use; nor for any infringements of patents or other rights of third parties which may result from its use.

