

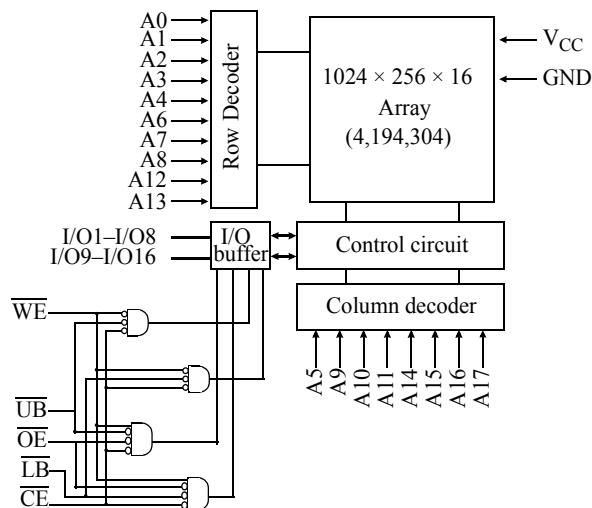


5V/3.3V 256K × 16 CMOS SRAM

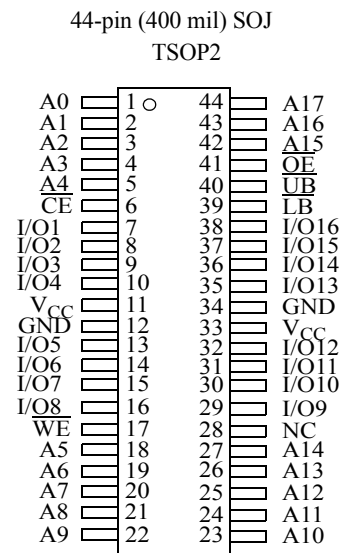
Features

- AS7C4098 (5V version)
- AS7C34098 (3.3V version)
- Industrial and commercial temperature
- Organization: 262,144 words × 16 bits
- Center power and ground pins
- High speed
  - 10/12/15/20 ns address access time
  - 5/6/7/8 ns output enable access time
- Low power consumption: ACTIVE
  - 1375 mW (AS7C4098)/max @ 12 ns
  - 576 mW (AS7C34098)/max @ 10 ns
- Low power consumption: STANDBY
  - 110 mW (AS7C4098)/max CMOS
  - 72 mW (AS7C34098)/max CMOS
- Individual byte read/write controls
- Easy memory expansion with  $\overline{CE}$ ,  $\overline{OE}$  inputs
- TTL- and CMOS-compatible, three-state I/O
- 44-pin JEDEC standard packages
  - 400-mil SOJ
  - TSOP 2
- ESD protection  $\geq$  2000 volts
- Latch-up current  $\geq$  100 mA

Logic block diagram



Pin arrangement for SOJ and TSOP 2



Selection guide

		-10	-12	-15	-20	Unit
Maximum address access time		10	12	15	20	ns
Maximum output enable access time		5	6	7	8	ns
Maximum operating current	AS7C4098	-	250	220	180	mA
	AS7C34098	160	130	110	100	mA
Maximum CMOS standby current	AS7C4098	-	20	20	20	mA
	AS7C34098	20	20	20	20	mA



## Functional description

The AS7C4098 and AS7C34098 are high-performance CMOS 4,194,304-bit Static Random Access Memory (SRAM) devices organized as 262,144 words  $\times$  16 bits. They are designed for memory applications where fast data access, low power, and simple interfacing are desired.

Equal address access and cycle times ( $t_{AA}$ ,  $t_{RC}$ ,  $t_{WC}$ ) of 10/12/15/20 ns with output enable access times ( $t_{OE}$ ) of 5/6/7/8 ns are ideal for high-performance applications. The chip enable input  $\overline{CE}$  permits easy memory expansion with multiple-bank memory systems.

When  $\overline{CE}$  is High the device enters standby mode. The standard AS7C4098/AS7C34098 is guaranteed not to exceed 110/72mW power consumption in CMOS standby mode. A write cycle is accomplished by asserting write enable ( $\overline{WE}$ ) and chip enable ( $\overline{CE}$ ). Data on the input pins I/O1–I/O16 is written on the rising edge of  $\overline{WE}$  (write cycle 1) or  $\overline{CE}$  (write cycle 2). To avoid bus contention, external devices should drive I/O pins only after outputs have been disabled with output enable ( $\overline{OE}$ ) or write enable ( $\overline{WE}$ ).

A read cycle is accomplished by asserting output enable ( $\overline{OE}$ ) and chip enable ( $\overline{CE}$ ), with write enable ( $\overline{WE}$ ) High. The chip drives I/O pins with the data word referenced by the input address. When either chip enable or output enable is inactive, or write enable is active, output drivers stay in high-impedance mode.

These devices provide multiple center power and ground pins, and separate byte enable controls, allowing individual bytes to be written and read.  $\overline{LB}$  controls the lower bits, I/O1–I/O8, and  $\overline{UB}$  controls the higher bits, I/O9–I/O16.

All chip inputs and outputs are TTL- and CMOS-compatible, and operation is from either a single 5V (AS7C4098) or 3.3V (AS7C34098) supply. Both devices are available in the JEDEC standard 400-mL, 44-pin SOJ and TSOP 2 packages.

## Absolute maximum ratings

Parameter	Device	Symbol	Min	Max	Unit
Voltage on $V_{CC}$ relative to GND	AS7C4098	$V_{t1}$	-0.50	+7.0	V
	AS7C34098	$V_{t1}$	-0.50	+5.0	V
Voltage on any pin relative to GND		$V_{t2}$	-0.50	$V_{CC} + 0.50$	V
Power dissipation		$P_D$	–	1.5	W
Storage temperature		$T_{stg}$	-65	+150	$^{\circ}C$
Ambient temperature with $V_{CC}$ applied		$T_{bias}$	-55	+125	$^{\circ}C$
DC current into outputs (low)		$I_{OUT}$	–	$\pm 20$	mA

Note: Stresses greater than those listed under *Absolute Maximum Ratings* may cause permanent damage to the device. This is a stress rating only and functional operation of the device at these or any other conditions outside those indicated in the operational sections of this specification is not implied. Exposure to absolute maximum rating conditions for extended periods may affect reliability.

## Truth table

$\overline{CE}$	$\overline{WE}$	$\overline{OE}$	$\overline{LB}$	$\overline{UB}$	I/O1–I/O8	I/O9–I/O16	Mode
H	X	X	X	X	High Z	High Z	Standby ( $I_{SB}$ , $I_{SB1}$ )
L	H	H	X	X	High Z	High Z	Output disable ( $I_{CC}$ )
L	X	X	H	H			
L	H	L	L	H	$D_{OUT}$	High Z	Read ( $I_{CC}$ )
			H	L	High Z	$D_{OUT}$	
			L	L	$D_{OUT}$	$D_{OUT}$	
L	L	X	L	H	$D_{IN}$	High Z	Write ( $I_{CC}$ )
			H	L	High Z	$D_{IN}$	
			L	L	$D_{IN}$	$D_{IN}$	

Key: X = Don't care, L = Low, H = High.



### Recommended operating conditions

Parameter			Symbol	Min	Typical	Max	Unit
Supply voltage		AS7C4098	$V_{CC}$ (12/15/20)	4.5	5.0	5.5	V
		AS7C34098	$V_{CC}$ (10)	3.15	3.3	3.6	V
		AS7C34098	$V_{CC}$ (12/15/20)	3.0	3.3	3.6	V
Input voltage		AS7C4098	$V_{IH}$	2.2	–	$V_{CC} + 0.5$	V
		AS7C34098	$V_{IH}$	2.0	–	$V_{CC} + 0.5$	V
			$V_{IL}^1$	–0.5	–	0.8	V
Ambient operating temperature	commercial		$T_A$	0	–	70	°C
	industrial		$T_A$	–40	–	85	°C

<sup>1</sup>  $V_{IL}$  min = –1.0V for pulse width less than 5ns.

### DC operating characteristics (over the operating range)<sup>1</sup>

Parameter	Symbol	Test conditions	–10		–12		–15		–20		Unit	
			Min	Max	Min	Max	Min	Max	Min	Max		
Input leakage current	$ I_{LI} $	$V_{CC} = \text{Max}$ $V_{IN} = \text{GND to } V_{CC}$	AS7C4098/ AS7C34098	–	1	–	1	–	1	–	1	μA
Output leakage current	$ I_{LO} $	$V_{CC} = \text{Max}$ $\overline{CE} = V_{IH}$ or $OE = V_{IH}$ or $\overline{WE} = V_{IL}$ $V_{I/O} = \text{GND to } V_{CC}$	AS7C4098/ AS7C34098	–	1	–	1	–	1	–	1	μA
Operating power supply current	$I_{CC}$	$V_{CC} = \text{Max}$ Min cycle, 100% duty $\overline{CE} = V_{IL}$ , $I_{OUT} = 0\text{mA}$	AS7C4098	–	–	–	250	–	220	–	180	mA
			AS7C34098	–	160	–	130	–	110	–	100	mA
Standby power supply current	$I_{SB}$	$V_{CC} = \text{Max}$ $\overline{CE} = V_{IH}$ , $f = \text{Max}$	AS7C4098	–	–	–	60	–	60	–	60	mA
			AS7C34098	–	60	–	60	–	60	–	60	mA
	$I_{SB1}$	$V_{CC} = \text{Max}$ $\overline{CE} \geq V_{CC} - 0.2\text{V}$ , $V_{IN} \geq V_{CC} - 0.2\text{V}$ or $V_{IN} \leq 0.2\text{V}$ , $f = 0$	AS7C4098	–	–	–	20	–	20	–	20	mA
			AS7C34098	–	20	–	20	–	20	–	20	mA
Output voltage	$V_{OL}$	$I_{OL} = 8\text{ mA}$ , $V_{CC} = \text{Min}$	AS7C4098/ AS7C34098	–	0.4	–	0.4	–	0.4	–	0.4	V
	$V_{OH}$	$I_{OH} = -4\text{ mA}$ , $V_{CC} = \text{Min}$	AS7C34098	2.4	–	2.4	–	2.4	–	2.4	–	V

### Capacitance ( $f = 1\text{MHz}$ , $T_a = 25^\circ\text{C}$ , $V_{CC} = \text{NOMINAL}$ )<sup>2</sup>

Parameter	Symbol	Signals	Test conditions	Max	Unit
Input capacitance	$C_{IN}$	A, $\overline{CE}$ , $\overline{WE}$ , $\overline{OE}$ , $\overline{UB}$ , $\overline{LB}$	$V_{IN} = 0\text{V}$	6	pF
I/O capacitance	$C_{I/O}$	I/O	$V_{IN} = V_{OUT} = 0\text{V}$	8	pF



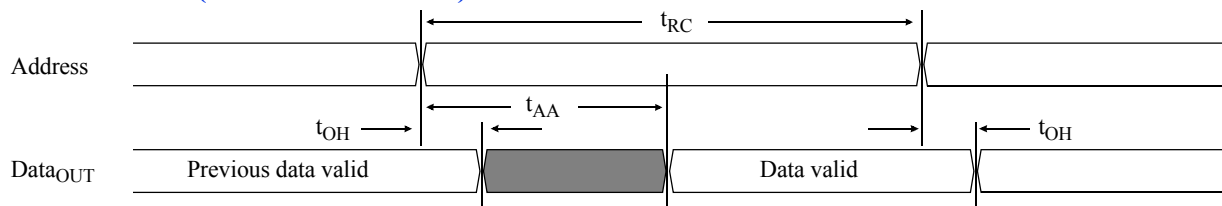
**Read cycle (over the operating range)<sup>3,9</sup>**

Parameter	Symbol	-10		-12		-15		-20		Unit	Notes
		Min	Max	Min	Max	Min	Max	Min	Max		
Read cycle time	$t_{RC}$	10	–	12	–	15	–	20	–	ns	
Address access time	$t_{AA}$	–	10	–	12	–	15	–	20	ns	
Chip enable ( $\overline{CE}$ ) access time	$t_{ACE}$	–	10	–	12	–	15	–	20	ns	
Output enable ( $\overline{OE}$ ) access time	$t_{OE}$	–	5	–	6	–	7	–	8	ns	
Output hold from address change	$t_{OH}$	3	–	3	–	3	–	3	–	ns	5
$\overline{CE}$ Low to output in low Z	$t_{CLZ}$	0	–	3	–	0	–	0	–	ns	4, 5
$\overline{CE}$ High to output in high Z	$t_{CHZ}$	–	5	–	6	–	7	–	9	ns	4, 5
$\overline{OE}$ Low to output in low Z	$t_{OLZ}$	0	–	0	–	0	–	0	–	ns	4, 5
$\overline{OE}$ High to output in high Z	$t_{OHZ}$	–	5	–	6	–	7	–	9	ns	4, 5
$\overline{LB}$ , $\overline{UB}$ access time	$t_{BA}$	–	5	–	6	–	7	–	8	ns	
$\overline{LB}$ , $\overline{UB}$ Low to output in low Z	$t_{BLZ}$	0	–	0	–	0	–	0	–	ns	
$\overline{LB}$ , $\overline{UB}$ High to output in high Z	$t_{BHZ}$	–	5	–	6	–	7	–	9	ns	
Power up time	$t_{PU}$	0	–	0	–	0	–	0	–	ns	5
Power down time	$t_{PD}$	–	10	–	12	–	15	–	20	ns	5

**Key to switching waveforms**

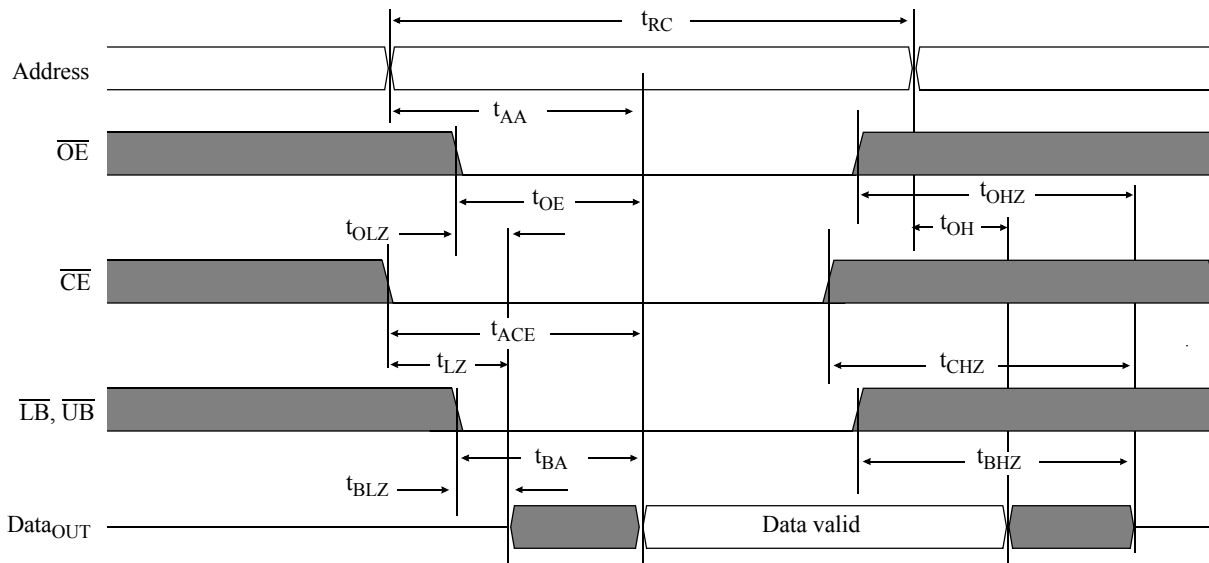


**Read waveform 1 (address controlled)<sup>6,7,9</sup>**





Read waveform 2 ( $\overline{\text{CE}}$ ,  $\overline{\text{OE}}$ ,  $\overline{\text{UB}}$ ,  $\overline{\text{LB}}$  controlled)<sup>6,8,9</sup>



Write cycle (over the operating range)<sup>11</sup>

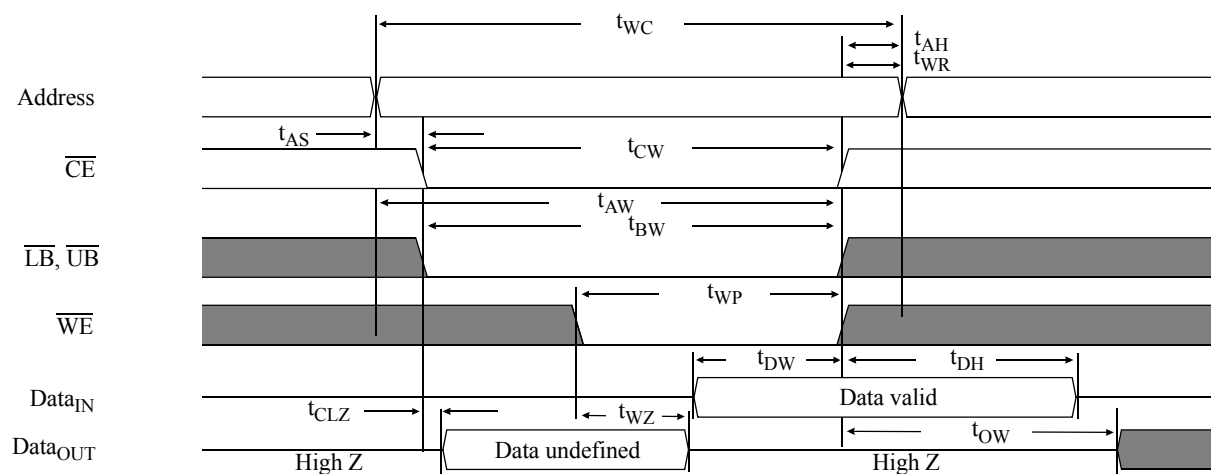
Parameter	Symbol	-10		-12		-15		-20		Unit	Note
		Min	Max	Min	Max	Min	Max	Min	Max		
Write cycle time	$t_{WC}$	10	–	12	–	15	–	20	–	ns	
Chip enable ( $\overline{\text{CE}}$ ) to write end	$t_{CW}$	7	–	8	–	10	–	12	–	ns	
Address setup to write end	$t_{AW}$	7	–	8	–	10	–	12	–	ns	
Address setup time	$t_{AS}$	0	–	0	–	0	–	0	–	ns	
Write pulse width ( $\overline{\text{OE}} = \text{High}$ )	$t_{WP1}$	7	–	8	–	10	–	12	–	ns	
Write pulse width ( $\overline{\text{OE}} = \text{Low}$ )	$t_{WP2}$	10	–	12	–	15	–	20	–	ns	
Write recovery time	$t_{WR}$	0	–	0	–	0	–	0	–	ns	
Address hold from end of write	$t_{AH}$	0	–	0	–	0	–	0	–	ns	
Data valid to write end	$t_{DW}$	5	–	6	–	7	–	9	–	ns	
Data hold time	$t_{DH}$	0	–	0	–	0	–	0	–	ns	4, 5
Write enable to output in High-Z	$t_{WZ}$	0	5	0	6	0	7	0	9	ns	4, 5
Output active from write end	$t_{OW}$	3	–	3	–	3	–	3	–	ns	4, 5
Byte enable Low to write end	$t_{BW}$	7	–	8	–	10	–	12	–	ns	4, 5



Write waveform 1 ( $\overline{\text{WE}}$  controlled)<sup>10,11</sup>

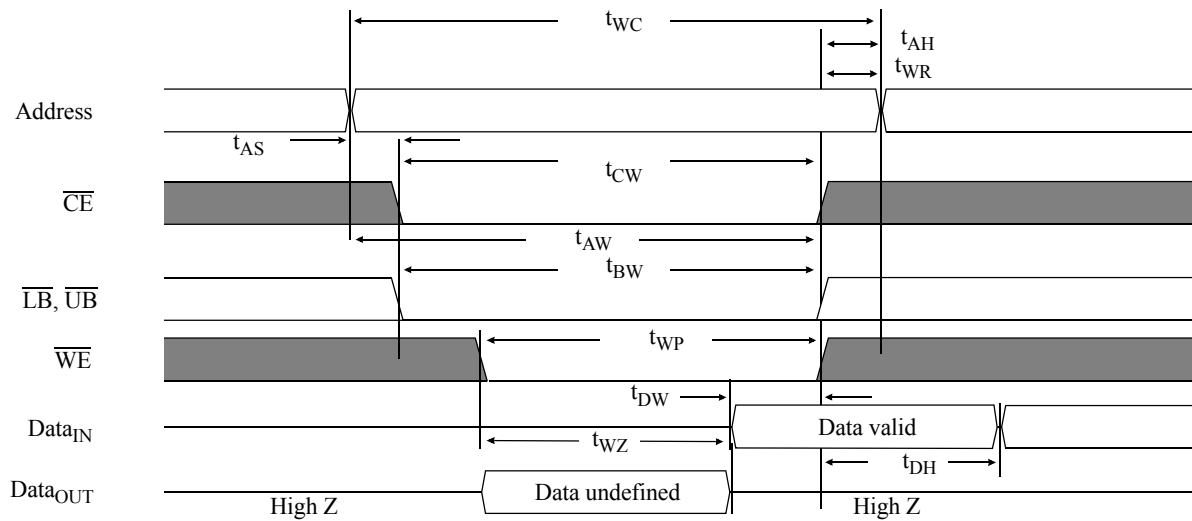


Write waveform 2 ( $\overline{\text{CE}}$  controlled)<sup>10,11</sup>





Write waveform 3 <sup>10,11</sup>



AC test conditions

- Output load: see Figure B or Figure C.
- Input pulse level: GND to 3.0V. See Figure A.
- Input rise and fall times: 2 ns. See Figure A.
- Input and output timing reference levels: 1.5V.

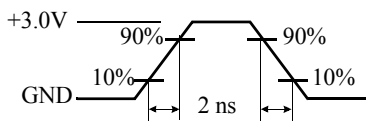


Figure A: Input pulse

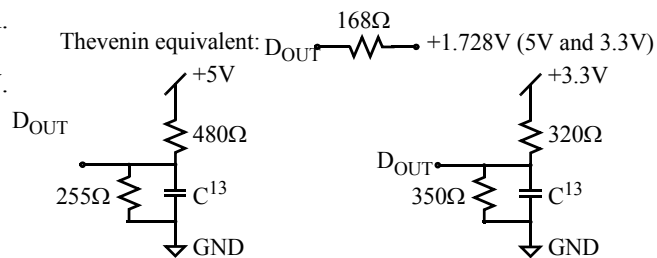


Figure B: 5V Output load

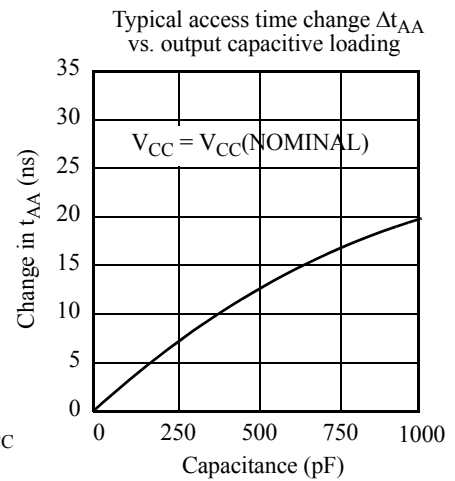
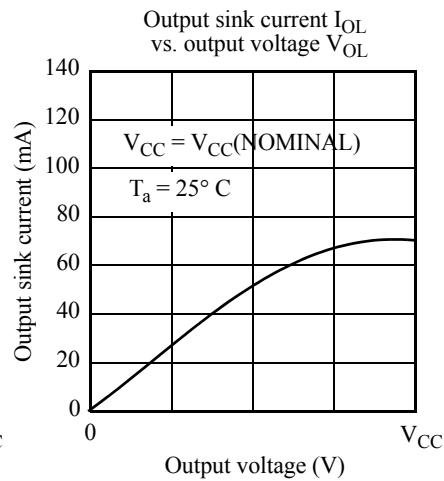
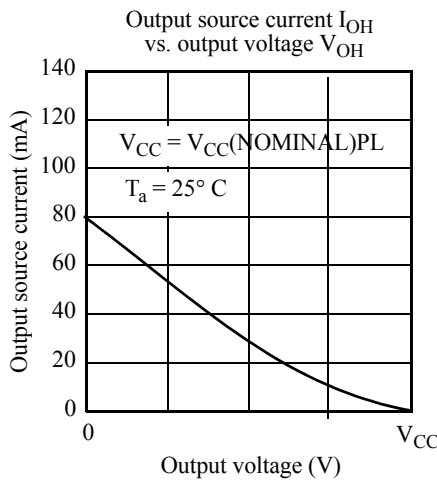
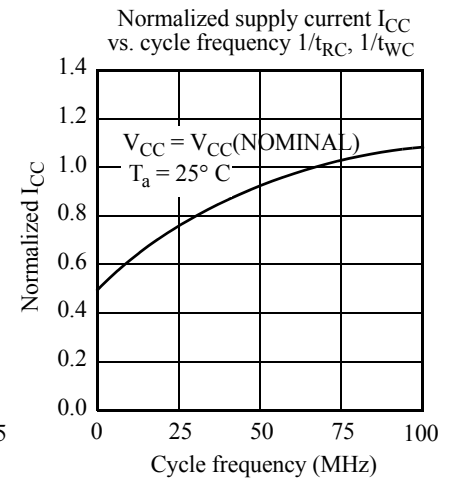
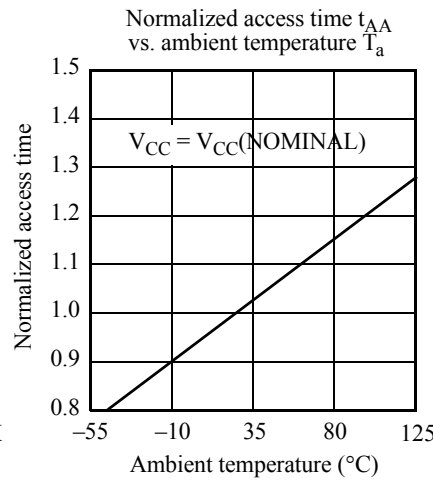
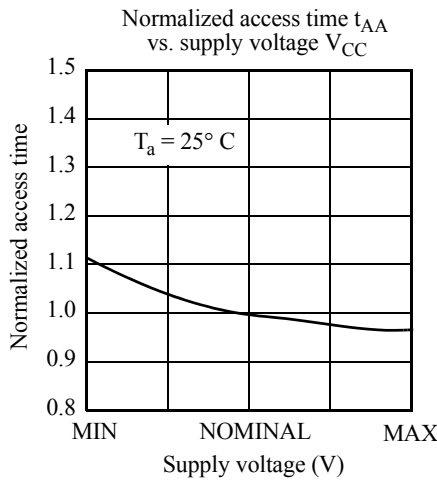
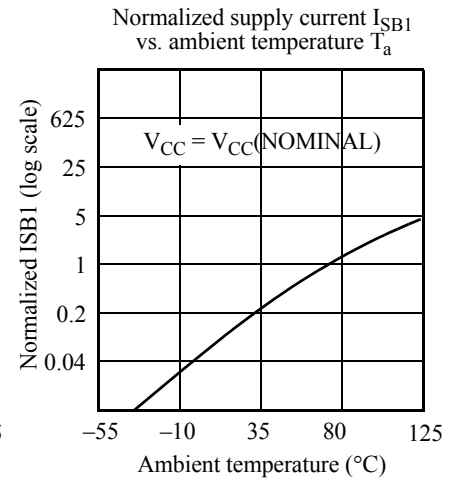
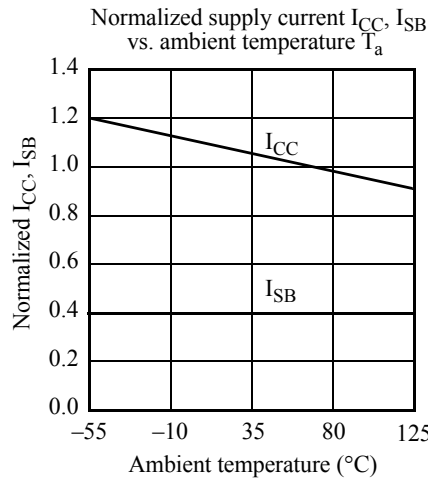
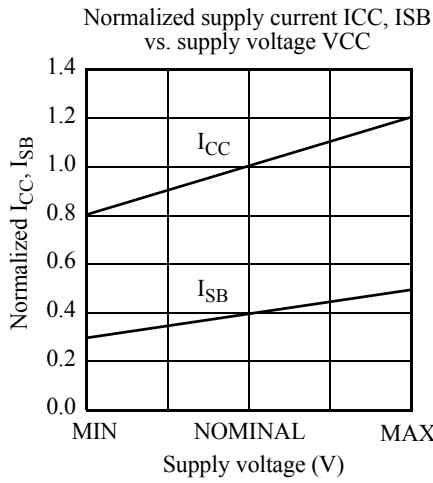
Figure C: 3.3V Output load

Notes

- 1 During  $V_{CC}$  power-up, a pull-up resistor to  $V_{CC}$  on  $\overline{CE}$  is required to meet  $I_{SB}$  specification.
- 2 This parameter is sampled, but not 100% tested.
- 3 For test conditions, see *AC Test Conditions*, Figures A, B, C.
- 4  $t_{CLZ}$  and  $t_{CHZ}$  are specified with  $C_L = 5\text{pF}$  as in Figure C. Transition is measured  $\pm 500\text{mV}$  from steady-state voltage.
- 5 This parameter is guaranteed, but not tested.
- 6  $\overline{WE}$  is High for read cycle.
- 7  $\overline{CE}$  and  $\overline{OE}$  are Low for read cycle.
- 8 Address valid prior to or coincident with  $\overline{CE}$  transition Low.
- 9 All read cycle timings are referenced from the last valid address to the first transitioning address.
- 10  $\overline{CE}$  or  $\overline{WE}$  must be High during address transitions. Either  $\overline{CE}$  or  $\overline{WE}$  asserting high terminates a write cycle.
- 11 All write cycle timings are referenced from the last valid address to the first transitioning address.
- 12 Not applicable.
- 13  $C = 30\text{pF}$ , except on High Z and Low Z parameters, where  $C = 5\text{pF}$ .



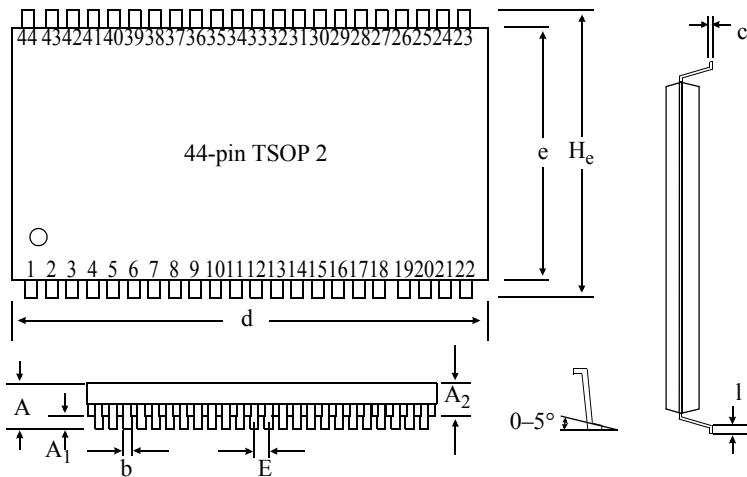
Typical DC and AC characteristics<sup>12</sup>



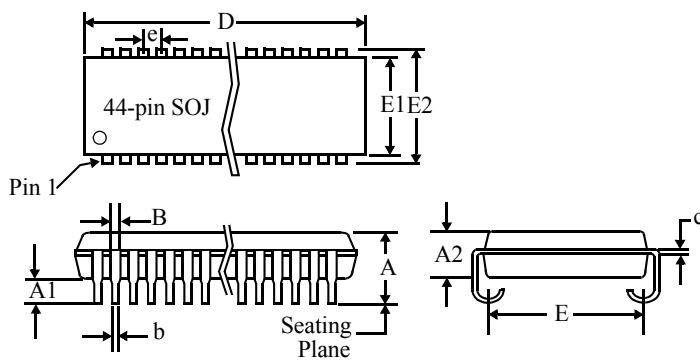




**Package dimensions**



	44-pin TSOP 2	
	Min (mm)	Max (mm)
<b>A</b>		1.2
<b>A<sub>1</sub></b>	0.05	0.15
<b>A<sub>2</sub></b>	0.95	1.05
<b>b</b>	0.30	0.45
<b>c</b>	0.12	0.21
<b>d</b>	18.31	18.52
<b>e</b>	10.06	10.26
<b>H<sub>e</sub></b>	11.68	11.94
<b>E</b>	0.80 (typical)	
<b>l</b>	0.40	0.60



	44-pin SOJ 400 mils	
	Min(mils)	Max(mils)
<b>A</b>	0.128	0.148
<b>A<sub>1</sub></b>	0.025	-
<b>A<sub>2</sub></b>	0.105	0.115
<b>B</b>	0.026	0.032
<b>b</b>	0.015	0.020
<b>c</b>	0.007	0.013
<b>D</b>	1.120	1.130
<b>E</b>	0.370 NOM	
<b>E<sub>1</sub></b>	0.395	0.405
<b>E<sub>2</sub></b>	0.435	0.445
<b>e</b>	0.050 NOM	



## Ordering Codes

Package	Version	10 ns	12 ns	15 ns	20 ns
SOJ	5V commercial	NA	AS7C4098-12JC	AS7C4098-15JC	AS7C4098-20JC
	5V industrial	NA	AS7C4098-12JI	AS7C4098-15JI	AS7C4098-20JI
	3.3V commercial	AS7C34098-10JC	AS7C34098-12JC	AS7C34098-15JC	AS7C34098-20JC
	3.3V industrial	NA	AS7C34098-12JI	AS7C34098-15JI	AS7C34098-20JI
TSOP 2	5V commercial	NA	AS7C4098-12TC	AS7C4098-15TC	AS7C4098-20TC
	5V industrial	NA	AS7C4098-12TI	AS7C4098-15TI	AS7C4098-20TI
	3.3V commercial	AS7C34098-10TC	AS7C34098-12TC	AS7C34098-15TC	AS7C34098-20TC
	3.3V industrial	NA	AS7C34098-12TI	AS7C34098-15TI	AS7C34098-20TI

Note:

Add suffix "N" to the above part number for lead free devices, Ex. AS7C4098-12JCN

## Part numbering system

AS7C	X	4098	-XX	J or T	X	N
SRAM prefix	Voltage: Blank: 5V CMOS 3: 3.3V CMOS	Device number	Access time	Packages: J: SOJ 400 mil T: TSOP 2	Temperature ranges: C: Commercial, 0°C to 70°C I: Industrial, -40°C to 85°C	Lead free device