



LA5616

Microprocessor-Controlled Audio Power Supply

Overview

The LA5616 is appropriate for use in power supplies for microprocessor-controlled CD players, tuners, receivers, and similar audio equipment.

Functions

- Low-saturation 5-V, 400-mA power supply
- 7.0-V, 1.0-A power supply
- Output reset generation function
- The 5.0-V system can be controlled (on/off) from the provided active-high enable pin.

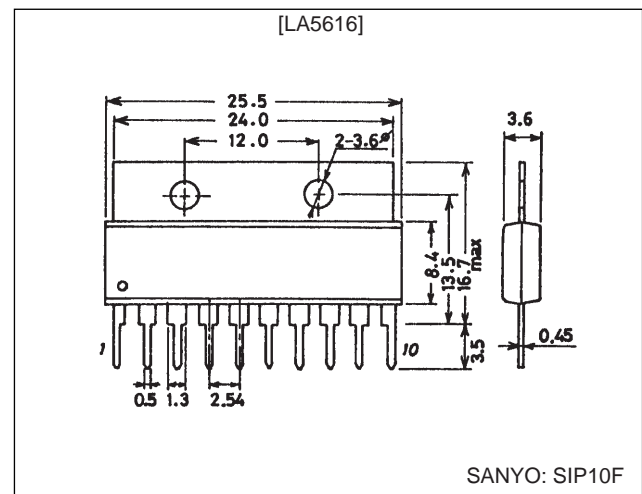
Features

- The reset output delay time can be set with an external capacitor.
- Sharp-cutoff current limiter circuit and thermal protection circuit
- Active pull-up element incorporated in reset output circuit for improved noise suppression.

Package Dimensions

unit: mm

3018A-SIP10F



Specifications

Absolute Maximum Ratings at $T_a = 25^\circ\text{C}$

Parameter	Symbol	Conditions	Ratings	Unit
Input voltage	$V_{IN\ max}$		18	V
Enable pin voltage	$V_{EN\ max}$		$V_{IN\ max}$	V
Reset output pin voltage	$V_{\overline{RES}\ max}$		18	V
Allowable power dissipation	$P_{d\ max}$		2	W
Operating temperature	T_{opr}		-20 to +80	$^\circ\text{C}$
Storage temperature	T_{stg}		-55 to +150	$^\circ\text{C}$

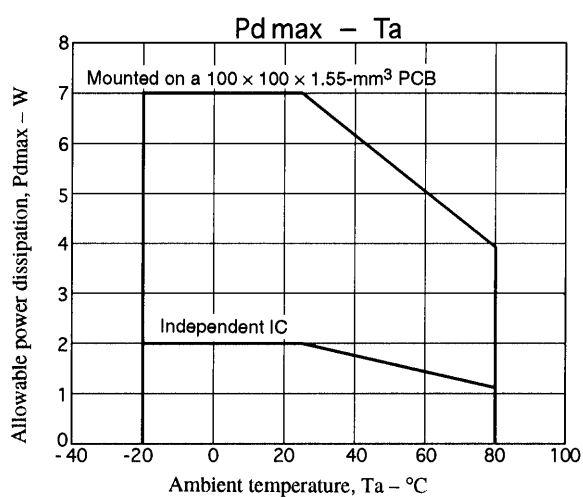
Operating Conditions at $T_a = 25^\circ\text{C}$

Parameter	Symbol	Conditions	Ratings	Unit
Input voltage	V_{IN}		5.6 to 17	V
Output current	I_{OUT1}		0 to 400	mA
	I_{OUT2}		0 to 1.0	A
Reset output source current	I_{ORH}	High level	0 to 200	μA
Reset output sink current	I_{ORL}	Low level	0 to 2	mA

LA5616

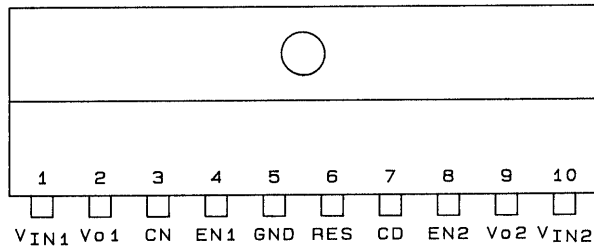
Electrical Characteristics at Ta = 25°C

Parameter	Symbol	Conditions	Ratings			Unit
			min	typ	max	
[5.0-V Power Supply Block] $V_{IN1} = V_{IN2}$, $C_{OUT2} = 47 \mu\text{F}$						
Output voltage	V_{OUT1}	$V_{IN1} = 12 \text{ V}$, $I_{OUT1} = 400 \text{ mA}$	4.75	5.0	5.25	V
Dropout voltage	V_{DROP1}	$V_{IN1} = 4.9 \text{ V}$, $I_{OUT1} = 400 \text{ mA}$		0.5	1.0	V
Line regulation	ΔV_{OLN1}	$5.6 \leq V_{IN1} \leq 17 \text{ V}$, $I_{OUT1} = 400 \text{ mA}$		20	100	mV
Load regulation	ΔV_{OLD1}	$5 \text{ mA} \leq I_O \leq 400 \text{ mA}$, $V_{IN1} = 12 \text{ V}$		50	150	mV
Peak output current	I_{OP1}	$V_{IN1} = 12 \text{ V}$	400	500		mA
Output shorted current	I_{OSC1}	$V_{IN1} = 12 \text{ V}$		100	400	mA
Output noise voltage	V_{N1}	$10 \text{ Hz} \leq f \leq 100 \text{ kHz}$		70		μVrms
Output voltage temperature coefficient	$\Delta V_O/\Delta T_{al}$	$T_j = 25 \text{ to } 125^\circ\text{C}$		1.6		$\text{mV}/^\circ\text{C}$
Ripple rejection	R_{ref1}	$f = 120 \text{ Hz}$, $6 \text{ V} \leq V_{IN1} \leq 17 \text{ V}$		60		dB
Output on control voltage	V_{ENH1}	$V_{IN1} = 12 \text{ V}$	2.6			V
Output off control voltage	V_{ENL1}	$V_{IN1} = 12 \text{ V}$			1.0	V
Low-level output voltage	$V_{O\ OFF1}$	$V_{IN1} = 12 \text{ V}$			0.3	V
[Reset Block] $V_{IN1} = V_{IN2} = 12 \text{ V}$						
High reset output voltage	V_{ORH}	$I_{ORH} = 200 \mu\text{A}$, Cd pin open	4.73	4.98	5.23	V
Low reset output voltage	V_{ORL}	$I_{SRL} = 2 \text{ mA}$, with Cd shorted to GND		100	200	mV
Reset threshold voltage	V_{RT}		3.95	4.2	4.45	V
Reset hysteresis voltage	V_{hys}		40	100	200	mV
Reset output delay time	t_d	Cd = 0.1 μF	7.5	10	12.5	ms
[7.0-V Power Supply Block] $V_{IN1} = V_{IN2}$, $C_{OUT2} = 47 \mu\text{F}$						
Output voltage	V_{OUT2}	$V_{IN2} = 12 \text{ V}$, $I_{OUT2} = 1 \text{ A}$	6.5	7.0	7.5	V
Dropout voltage	V_{DROP2}	$V_{IN2} = 6.5 \text{ V}$, $I_{OUT2} = 1 \text{ A}$		1.0	2.0	V
Line regulation	ΔV_{OLN2}	$9.0 \leq V_{IN2} \leq 17 \text{ V}$, $I_{OUT2} = 1 \text{ A}$			200	mV
Load regulation	ΔV_{OLD2}	$5 \text{ mA} \leq I_O \leq 1.0 \text{ A}$, $V_{IN2} = 12 \text{ V}$			300	mV
Peak output current	I_{OP2}	$V_{IN2} = 12 \text{ V}$	1.0			A
Output shorted current	I_{OSC2}	$V_{IN2} = 12 \text{ V}$		500		mA
Ripple rejection	R_{ref2}	$f = 120 \text{ Hz}$, $9.0 \text{ V} \leq V_{IN2} \leq 17 \text{ V}$		50		dB
Output on control voltage	V_{ENH2}	$V_{IN2} = 12 \text{ V}$	2.6			V
Output off control voltage	V_{ENL2}	$V_{IN2} = 12 \text{ V}$			1.0	V
Low-level output voltage	$V_{O\ OFF2}$	$V_{IN2} = 12 \text{ V}$			0.3	V



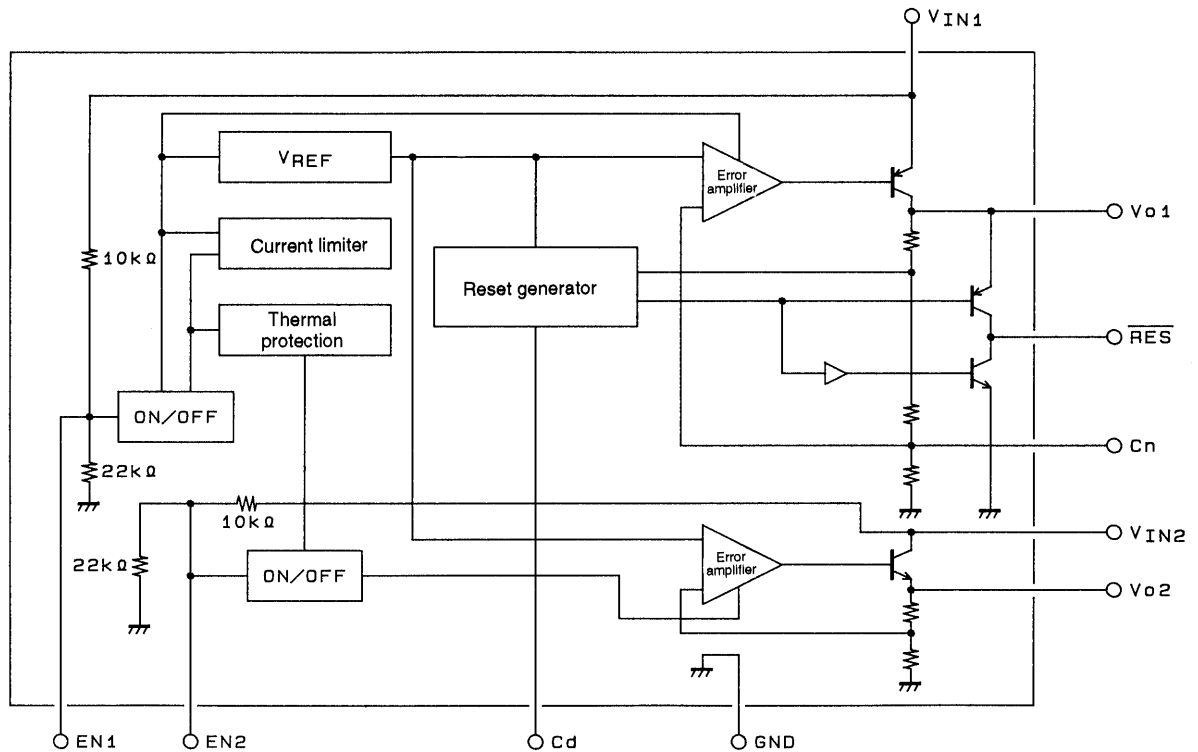
LA5616

Pin Assignment



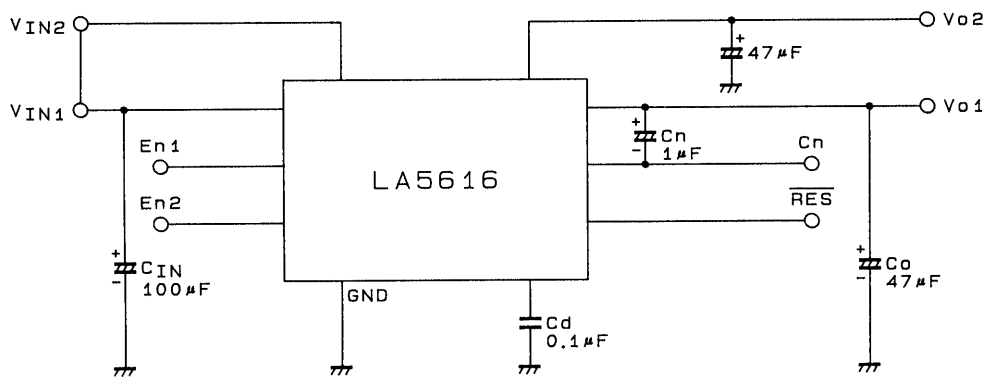
A05396

Equivalent Circuit Block Diagram



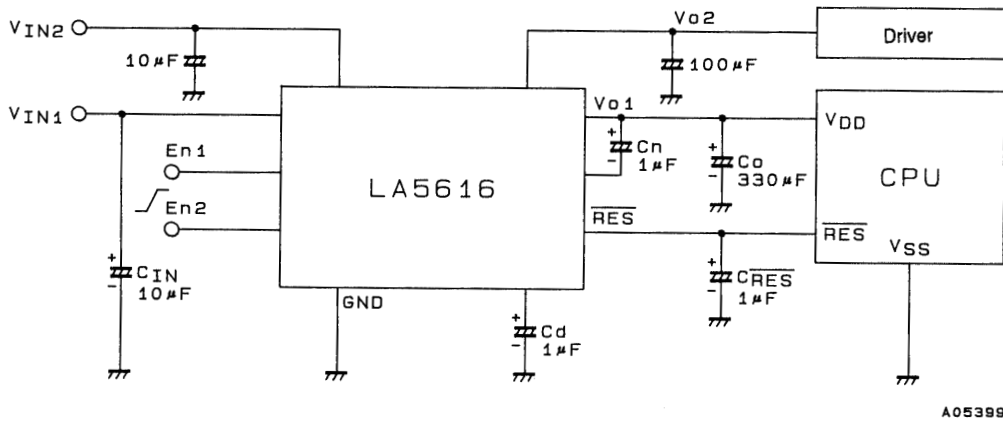
A05397

Test Circuit Diagram



A05398

Application Circuit Example



A05399

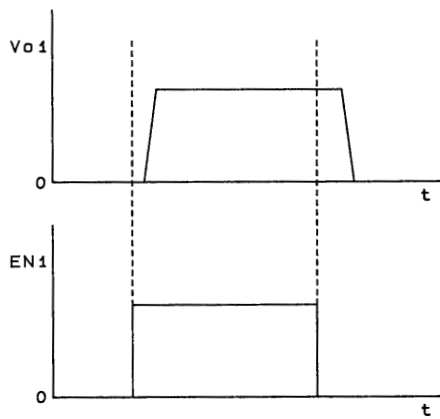
- Note: 1. The capacitors C_n and C_{RES} are only needed when external noise is a problem. If these capacitors are used, then capacitor C_o must have a value at least 1/3 that of capacitor C_{IN} . A certain amount of noise may occur when V_{IN} goes off due to differences in discharge timings between the capacitors.
2. A capacitor with a low temperature dependence must be used for the delay capacitor C_d .
3. The minimum value for the output capacitor C_o is 47 μ F.
4. The input voltages must obey the relationship $V_{IN1} \leq V_{IN2}$, and must be brought up at the same time.

Function Table

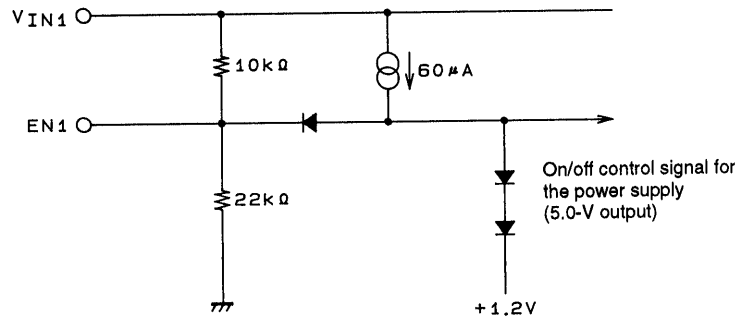
EN1, EN2	Vo1
L	L
H	H

Note: Open is also possible for the $V_{EN1} = V_{EN2} =$ high state. (EN_1, EN_2 is independent.)

Enable Input Equivalent Circuit

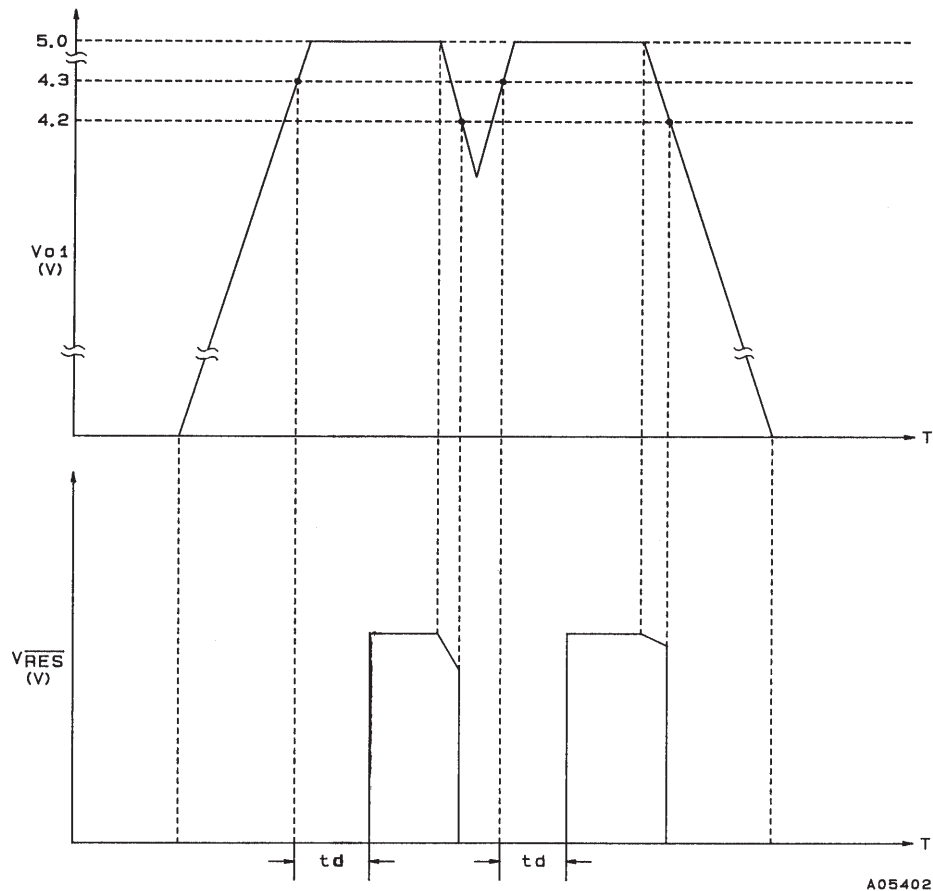


A05401



A05400

Reset Operation



- No products described or contained herein are intended for use in surgical implants, life-support systems, aerospace equipment, nuclear power control systems, vehicles, disaster/crime-prevention equipment and the like, the failure of which may directly or indirectly cause injury, death or property loss.
- Anyone purchasing any products described or contained herein for an above-mentioned use shall:
 - ① Accept full responsibility and indemnify and defend SANYO ELECTRIC CO., LTD., its affiliates, subsidiaries and distributors and all their officers and employees, jointly and severally, against any and all claims and litigation and all damages, cost and expenses associated with such use:
 - ② Not impose any responsibility for any fault or negligence which may be cited in any such claim or litigation on SANYO ELECTRIC CO., LTD., its affiliates, subsidiaries and distributors or any of their officers and employees jointly or severally.
- Information (including circuit diagrams and circuit parameters) herein is for example only; it is not guaranteed for volume production. SANYO believes information herein is accurate and reliable, but no guarantees are made or implied regarding its use or any infringements of intellectual property rights or other rights of third parties.

This catalog provides information as of December, 1997. Specifications and information herein are subject to change without notice.