

Low Voltage PLL Clock Driver

The MPC9351 is a 2.5V and 3.3V compatible, PLL based clock generator targeted for high performance clock distribution systems. With output frequencies of up to 200 MHz and a maximum output skew of 150 ps the MPC9351 is an ideal solution for the most demanding clock tree designs. The device offers 9 low skew clock outputs, each is configurable to support the clocking needs of the various high-performance microprocessors including the PowerQuicc II integrated communication microprocessor. The extended temperature range of the MPC9351 supports telecommunication and networking requirements. The device employs a fully differential PLL design to minimize cycle-to-cycle and long-term jitter.

Features

- 9 outputs LVCMOS PLL clock generator
- 25 - 200 MHz output frequency range
- Fully integrated PLL
- 2.5V and 3.3V compatible
- Compatible to various microprocessors such as PowerQuicc II
- Supports networking, telecommunications and computer applications
- Configurable outputs: divide-by-2, 4 and 8 of VCO frequency
- LVPECL and LVCMOS compatible inputs
- External feedback enables zero-delay configurations
- Output enable/disable and static test mode (PLL enable/disable)
- Low skew characteristics: maximum 150 ps output-to-output
- Cycle-to-cycle jitter max. 22 ps RMS
- 32 lead LQFP package
- Ambient Temperature Range -40°C to +85°C

Functional Description

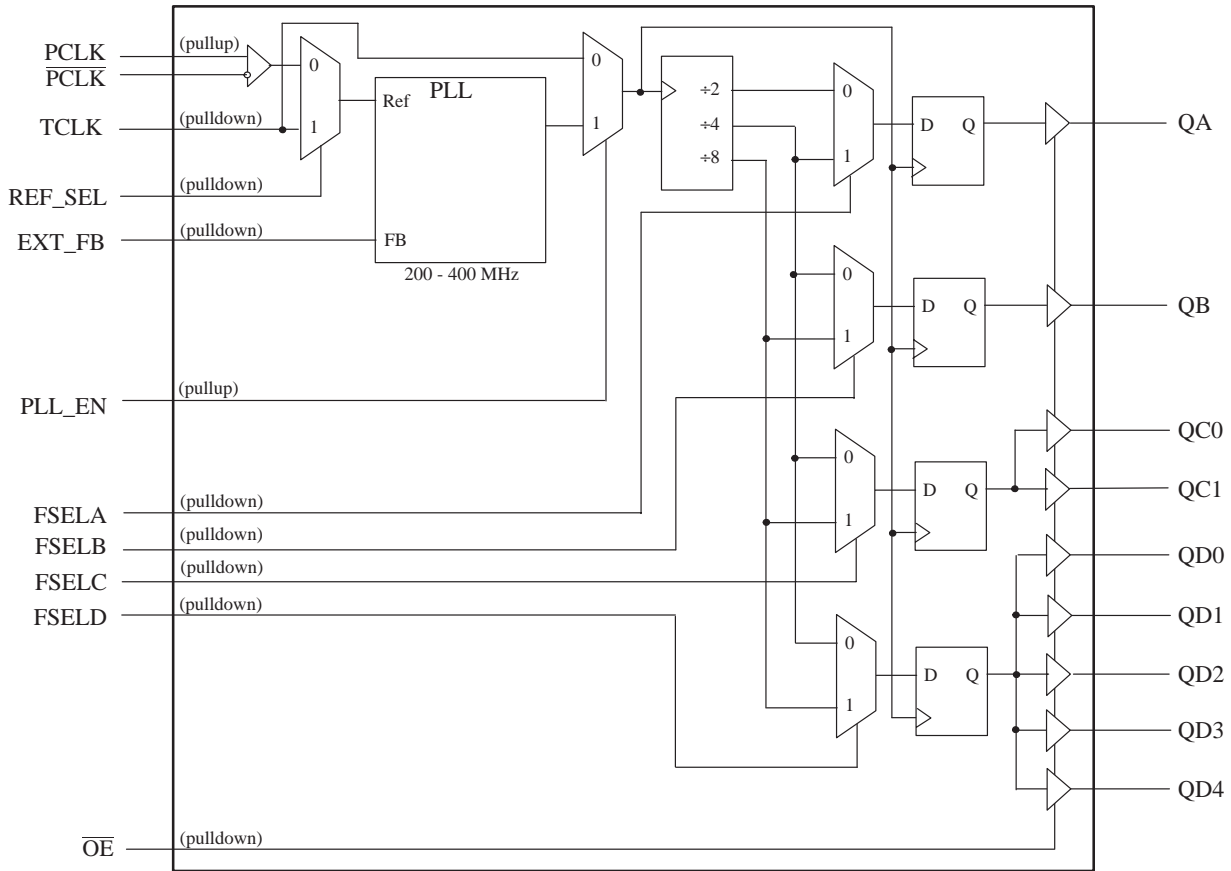
The MPC9351 utilizes PLL technology to frequency and phase lock its outputs onto an input reference clock. Normal operation of the MPC9351 requires a connection of one of the device outputs to the EXT_FB input to close the PLL feedback path. The reference clock frequency and the output divider for the feedback path determine the VCO frequency. Both must be selected to match the VCO frequency range. With available output dividers of divide-by-2, divide-by-4 and divide-by-8 the internal VCO of the MPC9351 is running at either 2x, 4x or 8x of the reference clock frequency. The frequency of the QA, QB, QC and QD outputs is either the one half, one fourth or one eighth of the selected VCO frequency and can be configured for each output bank using the FSELA, FSELB, FSELC and FSELD pins, respectively. The available output to input frequency ratios are 4:1, 2:1, 1:1, 1:2 and 1:4. The REF_SEL pin selects the differential LVPECL (PCLK and PCLK) or the LVCMOS compatible reference input (TCLK). The MPC9351 also provides a static test mode when the PLL enable pin (PLL_EN) is pulled to logic low state. In test mode, the selected input reference clock is routed directly to the output dividers bypassing the PLL. The test mode is intended for system diagnostics, test and debug purpose. This test mode is fully static and the minimum clock frequency specification does not apply. The outputs can be disabled by deasserting the OE pin (logic high state). In PLL mode, deasserting OE causes the PLL to lose lock due to no feedback signal presence at EXT_FB. Asserting OE will enable the outputs and close the phase locked loop, also enabling the PLL to recover to normal operation. The MPC9351 is fully 2.5V and 3.3V compatible and requires no external loop filter components. All inputs except PCLK and PCLK accept LVCMOS signals while the outputs provide LVCMOS compatible levels with the capability to drive terminated 50 Ω transmission lines. For series terminated transmission lines, each of the MPC9351 outputs can drive one or two traces giving the device an effective fanout of 1:18. The device is packaged in a 7x7 mm² 32-lead LQFP package.

Application Information

The fully integrated PLL of the MPC9351 allows the low skew outputs to lock onto a clock input and distribute it with essentially zero propagation delay to multiple components on the board. In zero-delay buffer mode, the PLL minimizes phase offset between the outputs and the reference signal.

MPC9351**LOW VOLTAGE
2.5V AND 3.3V PLL
CLOCK GENERATOR****FA SUFFIX**
LQFP PACKAGE
CASE 873A-02

MPC9351



The MPC9351 requires an external RC filter for the analog power supply pin VCCA. Please see application section for details.

Figure 1. MPC9351 Logic Diagram

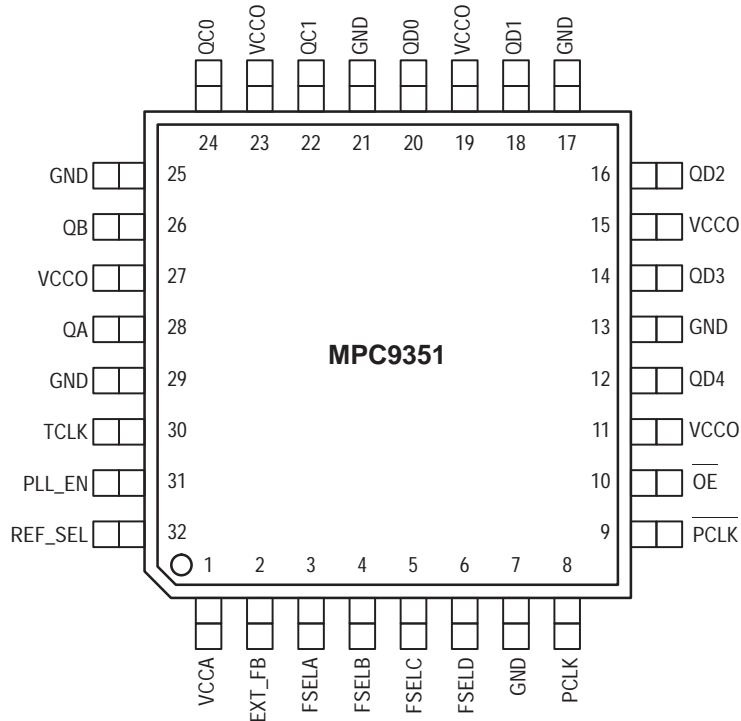


Figure 2. Pinout: 32-Lead Package Pinout (Top View)

PIN CONFIGURATION

Pin	I/O	Type	Function
PCLK, PCLK	Input	LVPECL	Differential clock reference Low voltage positive ECL input
TCLK	Input	LVC MOS	Single ended reference clock signal or test clock
EXT_FB	Input	LVC MOS	Feedback signal input, connect to a QA, QB, QC, QD output
REF_SEL	Input	LVC MOS	Selects input reference clock
FSELA	Input	LVC MOS	Output A divider selection
FSELB	Input	LVC MOS	Output B divider selection
FSELC	Input	LVC MOS	Outputs C divider selection
FSELD	Input	LVC MOS	Outputs D divider selection
$\overline{\text{OE}}$	Input	LVC MOS	Output enable/disable
QA	Output	LVC MOS	Bank A clock output
QB	Output	LVC MOS	Bank B clock output
QC0, QC1	Output	LVC MOS	Bank C clock outputs
QD0 - QD4	Output	LVC MOS	Bank D clock outputs
VCCA	Supply	VCC	Positive power supply for the PLL
VCC	Supply	VCC	Positive power supply for I/O and core
GND	Supply	Ground	Negative power supply

FUNCTION TABLE

Control	Default	0	1
REF_SEL	0	Selects PCLK as reference clock	Selects TCLK as reference clock
PLL_EN	1	Test mode with PLL disabled. The input clock is directly routed to the output dividers	PLL enabled. The VCO output is routed to the output dividers
$\overline{\text{OE}}$	0	Outputs enabled	Outputs disabled, PLL loop is open VCO is forced to its minimum frequency
FSELA	0	QA = VCO \div 2	QA = VCO \div 4
FSELB	0	QB = VCO \div 4	QB = VCO \div 8
FSELC	0	QC = VCO \div 4	QC = VCO \div 8
FSELD	0	QD = VCO \div 4	QD = VCO \div 8

ABSOLUTE MAXIMUM RATINGS^a

Symbol	Characteristics	Min	Max	Unit	Condition
V _{CC}	Supply Voltage	-0.3	4.6	V	
V _{IN}	DC Input Voltage	-0.3	V _{CC} +0.3	V	
V _{OUT}	DC Output Voltage	-0.3	V _{CC} +0.3	V	
I _{IN}	DC Input Current		\pm 20	mA	
I _{OUT}	DC Output Current		\pm 50	mA	
T _S	Storage Temperature	-55	150	°C	

a. Absolute maximum continuous ratings are those maximum values beyond which damage to the device may occur. Exposure to these conditions or conditions beyond those indicated may adversely affect device reliability. Functional operation at absolute-maximum-rated conditions is not implied.

GENERAL SPECIFICATIONS

Symbol	Characteristics	Min	Typ	Max	Unit	Condition
V _{TT}	Output Termination Voltage		V _{CC} \div 2		V	
MM	ESD (Machine Model)	200			V	
HBM	ESD (Human Body Model)	2000			V	
LU	Latch-Up	200			mA	
C _{PD}	Power Dissipation Capacitance		10		pF	Per output
C _{IN}			4.0		pF	Inputs

DC CHARACTERISTICS ($V_{CC} = 3.3V \pm 5\%$, $T_A = -40^\circ$ to $85^\circ C$)

Symbol	Characteristics	Min	Typ	Max	Unit	Condition
V_{IH}	Input High Voltage	2.0		$V_{CC} + 0.3$	V	LVCMOS
V_{IL}	Input Low Voltage			0.8	V	LVCMOS
V_{PP}	Peak-to-Peak Input Voltage PCLK, PCLK	250			mV	LVPECL
V_{CMR}^a	Common Mode Range PCLK, PCLK	1.0		$V_{CC}-0.6$	V	LVPECL
V_{OH}	Output High Voltage	2.4			V	$I_{OH} = -24 \text{ mA}^b$
V_{OL}	Output Low Voltage			0.55 0.30	V	$I_{OL} = 24 \text{ mA}$ $I_{OL} = 12 \text{ mA}$
Z_{OUT}	Output Impedance		14 - 17		Ω	
I_{IN}	Input Leakage Current			± 150	μA	$V_{IN} = V_{CC}$ or GND
I_{CCA}	Maximum PLL Supply Current		3.0	5.0	mA	V_{CCA} Pin
I_{CCQ}	Maximum Quiescent Supply Current			1.0	mA	All V_{CC} Pins

- a. V_{CMR} (DC) is the crosspoint of the differential input signal. Functional operation is obtained when the crosspoint is within the V_{CMR} range and the input swing lies within the V_{PP} (DC) specification.
- b. The MPC9351 is capable of driving 50Ω transmission lines on the incident edge. Each output drives one 50Ω parallel terminated transmission line to a termination voltage of V_{TT} . Alternatively, the device drives up to two 50Ω series terminated transmission lines.

AC CHARACTERISTICS ($V_{CC} = 3.3V \pm 5\%$, $T_A = -40^\circ$ to $85^\circ C$)^a

Symbol	Characteristics	Min	Typ	Max	Unit	Condition
f_{ref}	Input Frequency + 2 feedback + 4 feedback + 8 feedback Static test mode	100 50 25 0		200 100 50 300	MHz MHz MHz MHz	PLL_EN = 1 PLL_EN = 1 PLL_EN = 1 PLL_EN = 0
f_{VCO}	VCO Frequency	200		400	MHz	
f_{MAX}	Maximum Output Frequency + 2 output + 4 output + 8 output	100 50 25		200 100 50	MHz MHz MHz	
f_{refDC}	Reference Input Duty Cycle	25		75	%	
V_{PP}	Peak-to-Peak Input Voltage PCLK, PCLK	500		1000	mV	LVPECL
V_{CMR}^b	Common Mode Range PCLK, PCLK	1.2		$V_{CC}-0.9$	V	LVPECL
t_r, t_f	TCLK Input Rise/Fall Time			1.0	ns	0.8 to 2.0V
$t(\varnothing)$	Propagation Delay (static phase offset) TCLK to EXT_FB PCLK to EXT_FB	-50 +25		+150 +325	ps ps	PLL locked PLL locked
$t_{sk(o)}$	Output-to-Output Skew			150	ps	
DC	Output Duty Cycle 100 – 200 MHz 50 – 100 MHz 25 – 50 MHz	45 47.5 48.75	50 50 50	55 52.5 51.75	% % %	
t_r, t_f	Output Rise/Fall Time	0.1		1.0	ns	0.55 to 2.4V
$t_{PLZ, HZ}$	Output Disable Time			10	ns	
$t_{PZL, ZH}$	Output Enable Time			10	ns	
BW	PLL closed loop bandwidth + 2 feedback + 4 feedback + 8 feedback		9.0 – 20.0 3.0 – 9.5 1.2 – 2.1		MHz MHz MHz	-3 db point of PLL transfer characteristic
$t_{JIT(CC)}$	Cycle-to-cycle jitter Single Output Frequency Configuration + 4 feedback		10	22	ps	RMS value
$t_{JIT(PER)}$	Period Jitter Single Output Frequency Configuration + 4 feedback		8.0	15	ps	RMS value
$t_{JIT(\varnothing)}$	I/O Phase Jitter		4.0 – 17		ps	RMS value
t_{LOCK}	Maximum PLL Lock Time			1.0	ms	

- a. AC characteristics apply for parallel output termination of 50Ω to V_{TT}
- b. V_{CMR} (AC) is the crosspoint of the differential input signal. Normal AC operation is obtained when the crosspoint is within the V_{CMR} range and the input swing lies within the V_{PP} (AC) specification. Violation of V_{CMR} or V_{PP} impacts static phase offset $t(\varnothing)$.

DC CHARACTERISTICS ($V_{CC} = 2.5V \pm 5\%$, $T_A = -40^\circ$ to $85^\circ C$)

Symbol	Characteristics	Min	Typ	Max	Unit	Condition
V_{IH}	Input High Voltage	1.7		$V_{CC} + 0.3$	V	LVCMOS
V_{IL}	Input Low Voltage			0.7	V	LVCMOS
V_{PP}	Peak-to-Peak Input Voltage PCLK, \overline{PCLK}	250			mV	LVPECL
V_{CMR}^a	Common Mode Range PCLK, \overline{PCLK}	1.0		$V_{CC}-0.6$	V	LVPECL
V_{OH}	Output High Voltage	1.8			V	$I_{OH} = -15\text{ mA}^b$
V_{OL}	Output Low Voltage			0.6	V	$I_{OL} = 15\text{ mA}$
Z_{OUT}	Output Impedance		17 - 20		Ω	
I_{IN}	Input Leakage Current			± 150	μA	$V_{IN} = V_{CC}$ or GND
C_{IN}	Input Capacitance		4.0		pF	
C_{PD}	Power Dissipation Capacitance		10		pF	Per Output
I_{CCA}	Maximum PLL Supply Current		3.0	5.0	mA	V_{CCA} Pin
I_{CCQ}	Maximum Quiescent Supply Current			1.0	mA	All V_{CC} Pins

- a. V_{CMR} (DC) is the crosspoint of the differential input signal. Functional operation is obtained when the crosspoint is within the V_{CMR} range and the input swing lies within the V_{PP} (DC) specification.
- b. The MPC9351 is capable of driving 50Ω transmission lines on the incident edge. Each output drives one 50Ω parallel terminated transmission line to a termination voltage of V_{TT} . Alternatively, the device drives up to two 50Ω series terminated transmission lines per output.

AC CHARACTERISTICS ($V_{CC} = 2.5V \pm 5\%$, $T_A = -40^\circ$ to $85^\circ C$)^a

Symbol	Characteristics	Min	Typ	Max	Unit	Condition
f_{ref}	Input Frequency + 2 feedback + 4 feedback + 8 feedback	100 50 25		200 100 50	MHz MHz MHz	
f_{VCO}	VCO Frequency	200		400	MHz	
f_{MAX}	Maximum Output Frequency + 2 output + 4 output + 8 output	100 50 25		200 100 50	MHz MHz MHz	
f_{refDC}	Reference Input Duty Cycle	25		75	%	
V_{PP}	Peak-to-Peak Input Voltage PCLK, \overline{PCLK}	500		1000	mV	LVPECL
V_{CMR}^b	Common Mode Range PCLK, \overline{PCLK}	1.2		$V_{CC}-0.6$	V	LVPECL
t_r, t_f	TCLK Input Rise/Fall Time			1.0	ns	0.7 to 1.7V
$t(\varnothing)$	Propagation Delay (static phase offset) TCLK to EXT_FB PCLK to EXT_FB	-100 0		+100 +300	ps ps	PLL locked PLL locked
$t_{sk(o)}$	Output-to-Output Skew			150	ps	
DC	Output Duty Cycle 100 – 200 MHz 50 – 100 MHz 25 – 50 MHz	45 47.5 48.75	50 50 50	55 52.5 51.75	% % %	
t_r, t_f	Output Rise/Fall Time	0.1		1.0	ns	0.6 to 1.8V
$t_{PLZ, HZ}$	Output Disable Time			12	ns	
$t_{PZL, ZH}$	Output Enable Time			12	ns	
BW	PLL closed loop bandwidth + 2 feedback + 4 feedback + 8 feedback		4.0 – 15.0 2.0 – 7.0 0.7 – 2.0		MHz MHz MHz	-3dB point of PLL transfer characteristic
$t_{JIT(CC)}$	Cycle-to-cycle jitter Single Output Frequency Configuration + 4 feedback		10	22	ps	RMS value
$t_{JIT(PER)}$	Period Jitter Single Output Frequency Configuration + 4 feedback		8.0	15	ps	RMS value
$t_{JIT}(\varnothing)$	I/O Phase Jitter		6.0 – 25		ps	RMS value
t_{LOCK}	Maximum PLL Lock Time			1.0	ms	

- a. AC characteristics apply for parallel output termination of 50Ω to V_{TT}
- b. V_{CMR} (AC) is the crosspoint of the differential input signal. Normal AC operation is obtained when the crosspoint is within the V_{CMR} range and the input swing lies within the V_{PP} (AC) specification. Violation of V_{CMR} or V_{PP} impacts static phase offset $t(\varnothing)$.

APPLICATIONS INFORMATION

Programming the MPC9351

The MPC9351 clock driver outputs can be configured into several divider modes, in addition the external feedback of the device allows for flexibility in establishing various input to output frequency relationships. The output divider of the four output groups allows the user to configure the outputs into 1:1, 2:1, 4:1 and 4:2:1 frequency ratios. The use of even dividers ensure that the output duty cycle is always 50%. "Output Frequency Relationship for an Example Configuration" illustrates the various output configurations, the table describes the outputs using the input clock

frequency CLK as a reference.

The output division settings establish the output relationship, in addition, it must be ensured that the VCO will be stable given the frequency of the outputs desired. The feedback frequency should be used to situate the VCO into a frequency range in which the PLL will be stable. The design of the PLL supports output frequencies from 25 MHz to 200 MHz while the VCO frequency range is specified from 200 MHz to 400 MHz and should not be exceeded for stable operation.

Output Frequency Relationship^a for an Example Configuration

Inputs				Outputs			
FSELA	FSELB	FSELC	FSELD	QA	QB	QC	QD
0	0	0	0	2 * CLK	CLK	CLK	CLK
0	0	0	1	2 * CLK	CLK	CLK	CLK ÷ 2
0	0	1	0	4 * CLK	2 * CLK	CLK	2 * CLK
0	0	1	1	4 * CLK	2 * CLK	CLK	CLK
0	1	0	0	2 * CLK	CLK ÷ 2	CLK	CLK
0	1	0	1	2 * CLK	CLK ÷ 2	CLK	CLK ÷ 2
0	1	1	0	4 * CLK	CLK	CLK	2 * CLK
0	1	1	1	4 * CLK	CLK	CLK	CLK
1	0	0	0	CLK	CLK	CLK	CLK
1	0	0	1	CLK	CLK	CLK	CLK ÷ 2
1	0	1	0	2 * CLK	2 * CLK	CLK	2 * CLK
1	0	1	1	2 * CLK	2 * CLK	CLK	CLK
1	1	0	0	CLK	CLK ÷ 2	CLK	CLK
1	1	0	1	CLK	CLK ÷ 2	CLK	CLK ÷ 2
1	1	1	0	2 * CLK	CLK	CLK	2 * CLK
1	1	1	1	2 * CLK	CLK	CLK	CLK

a. Output frequency relationship with respect to input reference frequency CLK. QC1 is connected to EXT_FB. More frequency ratios are available by the connection of QA to the feedback input (EXT_FB).

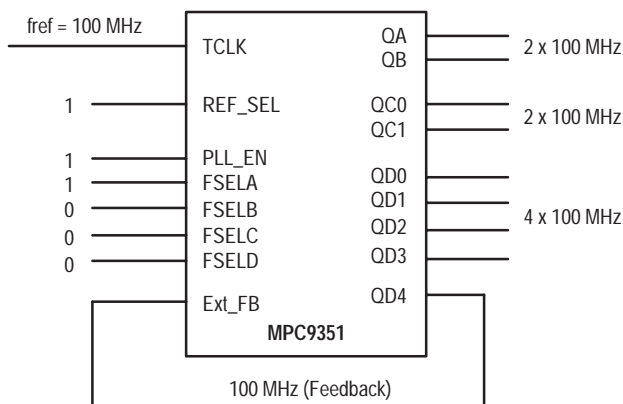
Using the MPC9351 in zero-delay applications

Nested clock trees are typical applications for the MPC9351. For these applications the MPC9351 offers a differential LVPECL clock input pair as a PLL reference. This allows for the use of differential LVPECL primary clock distribution devices such as the Motorola MC100EP111 or MC10EP222, taking advantage of its superior low-skew performance. Clock trees using LVPECL for clock distribution and the MPC9351 as LVCMOS PLL fanout buffer with zero insertion delay will show significantly lower clock skew than clock distributions developed from CMOS fanout buffers.

The external feedback option of the MPC9351 PLL allows for its use as a zero delay buffer. The PLL aligns the feedback clock output edge with the clock input reference edge and virtually eliminates the propagation delay through the device.

The remaining insertion delay (skew error) of the MPC9351 in zero-delay applications is measured between the reference clock input and any output. This effective delay consists of the static phase offset (SPO or t_{ϕ}), I/O jitter

($t_{JIT(\phi)}$, phase or long-term jitter), feedback path delay and the output-to-output skew ($t_{SK(O)}$) relative to the feedback output.



MPC9351 zero-delay configuration (feedback of QD4)

Calculation of part-to-part skew

The MPC9351 zero delay buffer supports applications where critical clock signal timing can be maintained across several devices. If the reference clock inputs (TCLK or PCLK) of two or more MPC9351 are connected together, the maximum overall timing uncertainty from the common TCLK input to any output is:

$$t_{SK(PP)} = t_{(\emptyset)} + t_{SK(O)} + t_{PD, LINE(FB)} + t_{JIT(\emptyset)} \cdot CF$$

This maximum timing uncertainty consist of 4 components: static phase offset, output skew, feedback board trace delay and I/O (phase) jitter:

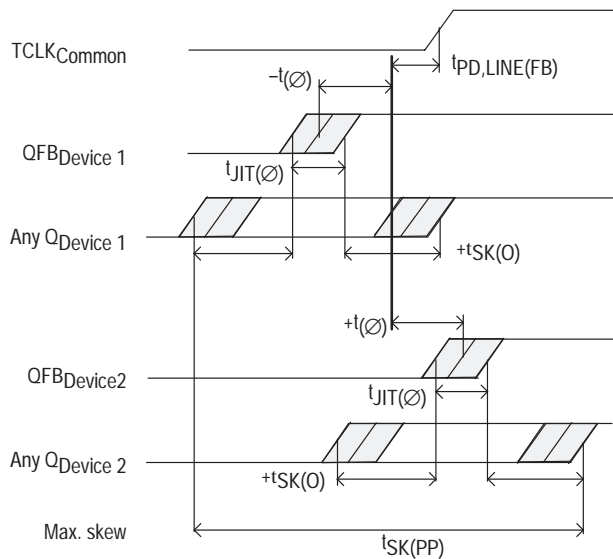


Figure 3. MPC9351 max. device-to-device skew

Due to the statistical nature of I/O jitter a RMS value (1 σ) is specified. I/O jitter numbers for other confidence factors (CF) can be derived from Table 8.

Table 8: Confidence Factor CF

CF	Probability of clock edge within the distribution
$\pm 1\sigma$	0.68268948
$\pm 2\sigma$	0.95449988
$\pm 3\sigma$	0.99730007
$\pm 4\sigma$	0.99993663
$\pm 5\sigma$	0.99999943
$\pm 6\sigma$	0.99999999

The feedback trace delay is determined by the board layout and can be used to fine-tune the effective delay through each device. In the following example calculation a I/O jitter confidence factor of 99.7% ($\pm 3\sigma$) is assumed, resulting in a worst case timing uncertainty from input to any output of -251 ps to 351 ps relative to TCLK ($V_{CC}=3.3V$ and $f_{VCO} = 400$ MHz):

$$t_{SK(PP)} = [-50ps...150ps] + [-150ps...150ps] + [(17ps \cdot -3)...(17ps \cdot 3)] + t_{PD, LINE(FB)}$$

$$t_{SK(PP)} = [-251ps...351ps] + t_{PD, LINE(FB)}$$

Above equation uses the maximum I/O jitter number shown in the AC characteristic table for $V_{CC}=3.3V$ (17 ps RMS). I/O jitter is frequency dependant with a maximum at the lowest VCO frequency (200 MHz for the MPC9351). Applications using a higher VCO frequency exhibit less I/O jitter than the AC characteristic limit. The I/O jitter characteristics in Figure 4. and Figure 5. can be used to derive a smaller I/O jitter number at the specific VCO frequency, resulting in tighter timing limits in zero-delay mode and for part-to-part skew $t_{SK(PP)}$.

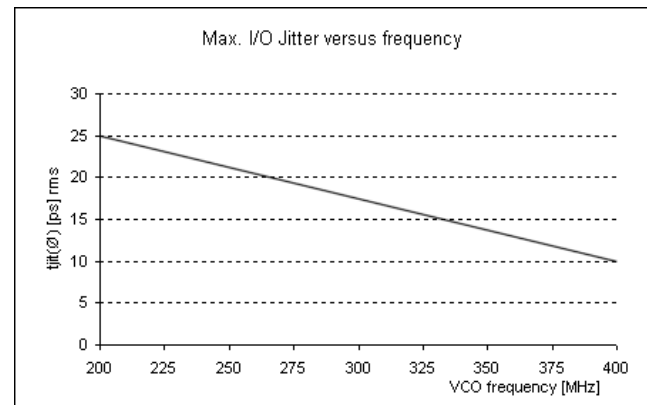


Figure 4. Max. I/O Jitter (RMS) versus frequency for VCC=2.5V

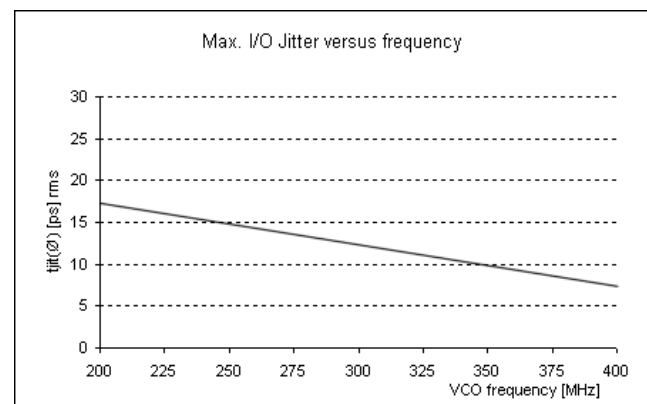


Figure 5. Max. I/O Jitter (RMS) versus frequency for VCC=3.3V

Power Supply Filtering

The MPC9351 is a mixed analog/digital product. Its analog circuitry is naturally susceptible to random noise, especially if this noise is seen on the power supply pins. Noise on the V_{CCA} (PLL) power supply impacts the device characteristics, for instance I/O jitter. The MPC9351 provides separate power supplies for the output buffers (V_{CC}) and the phase-locked loop (V_{CCA}) of the device. The purpose of this design technique is to isolate the high switching noise digital outputs from the relatively sensitive internal analog phase-locked loop. In a digital system environment where it is more difficult to minimize noise on the power supplies a second level of isolation may be required. The simple but effective form of isolation is a power supply filter on the V_{CCA} pin for the MPC9351. Figure 6. illustrates a typical power supply filter scheme. The MPC9351 frequency and phase stability is most susceptible to noise with spectral content in the 100kHz to 20MHz range. Therefore the filter should be designed to

target this range. The key parameter that needs to be met in the final filter design is the DC voltage drop across the series filter resistor R_F . From the data sheet the I_{CCA} current (the current sourced through the V_{CCA} pin) is typically 3 mA (5 mA maximum), assuming that a minimum of 2.325V ($V_{CC}=3.3V$ or $V_{CC}=2.5V$) must be maintained on the V_{CCA} pin. The resistor R_F shown in Figure 6. “ V_{CCA} Power Supply Filter” must have a resistance of 270 Ω ($V_{CC}=3.3V$) or 9-10 Ω ($V_{CC}=2.5V$) to meet the voltage drop criteria.

$R_F = 270\Omega$ for $V_{CC} = 3.3V$ $C_F = 1 \mu F$ for $V_{CC} = 3.3V$
 $R_F = 9-10\Omega$ for $V_{CC} = 2.5V$ $C_F = 22 \mu F$ for $V_{CC} = 2.5V$

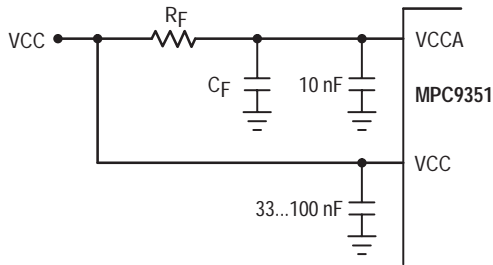


Figure 6. V_{CCA} Power Supply Filter

The minimum values for R_F and the and the filter capacitor C_F are defined by the required filter characteristics: the RC filter should provide an attenuation greater than 40 dB for noise whose spectral content is above 100 kHz. In the example RC filter shown in Figure 6. “ V_{CCA} Power Supply Filter”, the filter cut-off frequency is around 3-5 kHz and the noise attenuation at 100 kHz is better than 42 dB.

As the noise frequency crosses the series resonant point of an individual capacitor its overall impedance begins to look inductive and thus increases with increasing frequency. The parallel capacitor combination shown ensures that a low impedance path to ground exists for frequencies well above the bandwidth of the PLL. Although the MPC9351 has several design features to minimize the susceptibility to power supply noise (isolated power and grounds and fully differential PLL) there still may be applications in which overall performance is being degraded due to system power supply noise. The power supply filter schemes discussed in this section should be adequate to eliminate power supply noise related problems in most designs.

Driving Transmission Lines

The MPC9351 clock driver was designed to drive high speed signals in a terminated transmission line environment. To provide the optimum flexibility to the user the output drivers were designed to exhibit the lowest impedance possible. With an output impedance of less than 20 Ω the drivers can drive either parallel or series terminated transmission lines. For more information on transmission lines the reader is referred to Motorola application note AN1091. In most high performance clock networks point-to-point distribution of signals is the method of choice. In a point-to-point scheme either series terminated or parallel terminated transmission lines can be used. The parallel

technique terminates the signal at the end of the line with a 50 Ω resistance to $V_{CC}+2$.

This technique draws a fairly high level of DC current and thus only a single terminated line can be driven by each output of the MPC9351 clock driver. For the series terminated case however there is no DC current draw, thus the outputs can drive multiple series terminated lines. Figure 7. “Single versus Dual Transmission Lines” illustrates an output driving a single series terminated line versus two series terminated lines in parallel. When taken to its extreme the fanout of the MPC9351 clock driver is effectively doubled due to its capability to drive multiple lines.

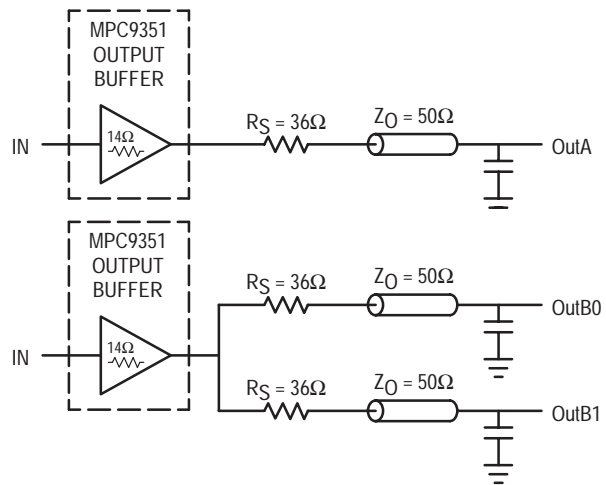


Figure 7. Single versus Dual Transmission Lines

The waveform plots in Figure 8. “Single versus Dual Line Termination Waveforms” show the simulation results of an output driving a single line versus two lines. In both cases the drive capability of the MPC9351 output buffer is more than sufficient to drive 50 Ω transmission lines on the incident edge. Note from the delay measurements in the simulations a delta of only 43ps exists between the two differently loaded outputs. This suggests that the dual line driving need not be used exclusively to maintain the tight output-to-output skew of the MPC9351. The output waveform in Figure 8. “Single versus Dual Line Termination Waveforms” shows a step in the waveform, this step is caused by the impedance mismatch seen looking into the driver. The parallel combination of the 36 Ω series resistor plus the output impedance does not match the parallel combination of the line impedances. The voltage wave launched down the two lines will equal:

$$V_L = V_S (Z_0 \div (R_S + R_0 + Z_0))$$

$$Z_0 = 50\Omega \parallel 50\Omega$$

$$R_S = 36\Omega \parallel 36\Omega$$

$$R_0 = 14\Omega$$

$$V_L = 3.0 (25 \div (18+17+25))$$

$$= 1.31V$$

At the load end the voltage will double, due to the near unity reflection coefficient, to 2.6V. It will then increment towards the quiescent 3.0V in steps separated by one round trip delay (in this case 4.0ns).

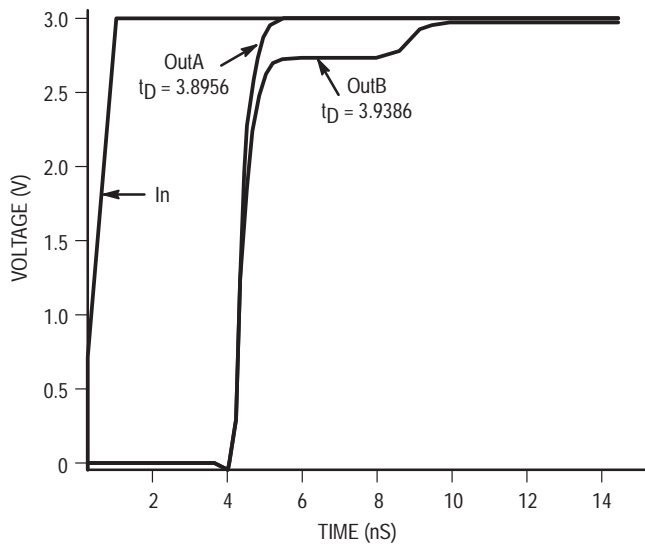


Figure 8. Single versus Dual Waveforms

Since this step is well above the threshold region it will not cause any false clock triggering, however designers may be uncomfortable with unwanted reflections on the line. To better

match the impedances when driving multiple lines the situation in Figure 9. "Optimized Dual Line Termination" should be used. In this case the series terminating resistors are reduced such that when the parallel combination is added to the output buffer impedance the line impedance is perfectly matched.

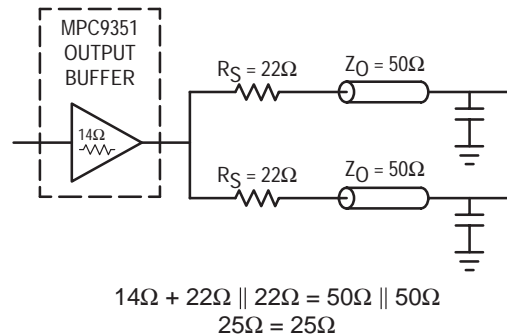


Figure 9. Optimized Dual Line Termination

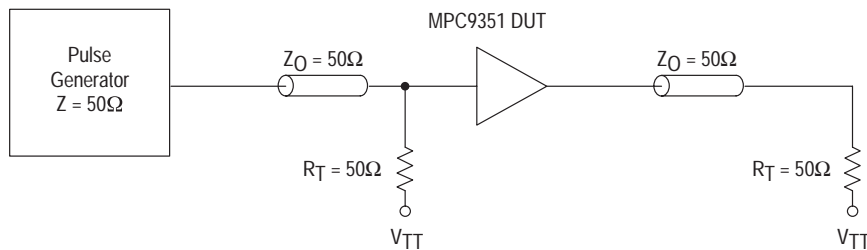


Figure 10. TCLK MPC9351 AC test reference for $V_{CC} = 3.3V$ and $V_{CC} = 2.5V$

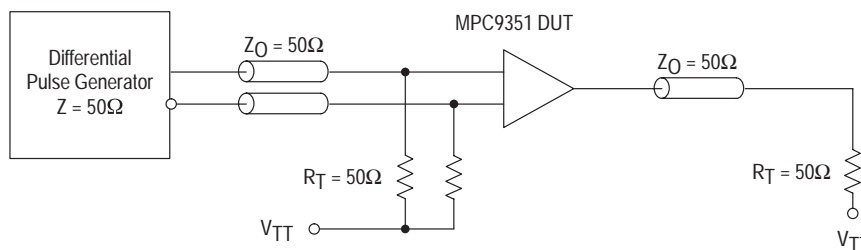


Figure 11. PCLK MPC9351 AC test reference

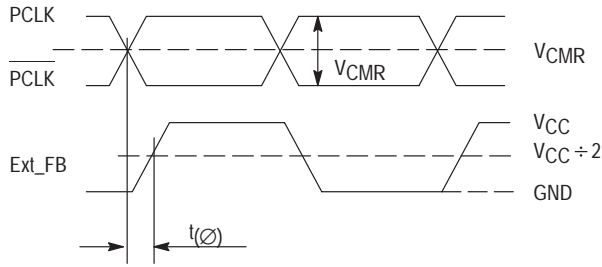


Figure 12. Propagation delay (t_{PD} , static phase offset) test reference

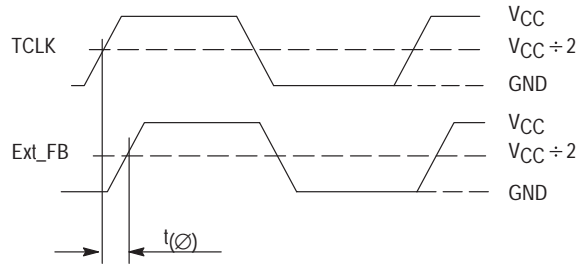
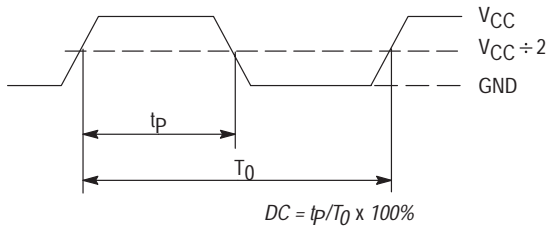
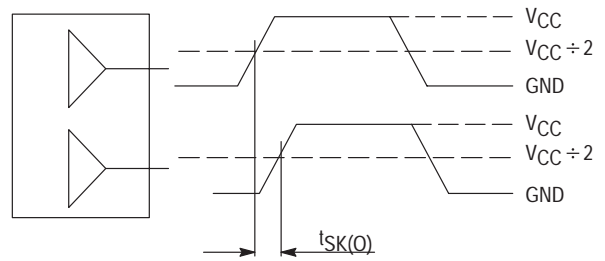


Figure 13. Propagation delay (t_{PD}) test reference



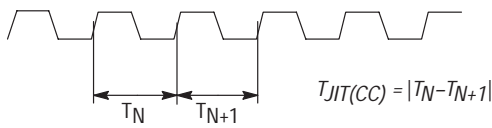
The time from the PLL controlled edge to the non controlled edge, divided by the time between PLL controlled edges, expressed as a percentage

Figure 14. Output Duty Cycle (DC)



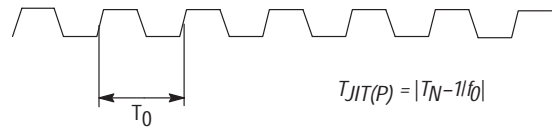
The pin-to-pin skew is defined as the worst case difference in propagation delay between any similar delay path within a single device

Figure 15. Output-to-output Skew $t_{SK}(\emptyset)$



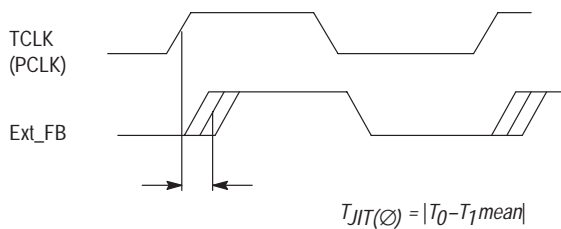
The variation in cycle time of a signal between adjacent cycles, over a random sample of adjacent cycle pairs

Figure 16. Cycle-to-cycle Jitter



The deviation in cycle time of a signal with respect to the ideal period over a random sample of cycles

Figure 17. Period Jitter



The deviation in t_0 for a controlled edge with respect to a t_0 mean in a random sample of cycles

Figure 18. I/O Jitter

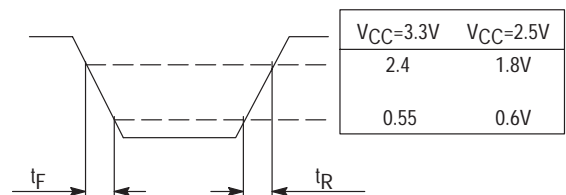
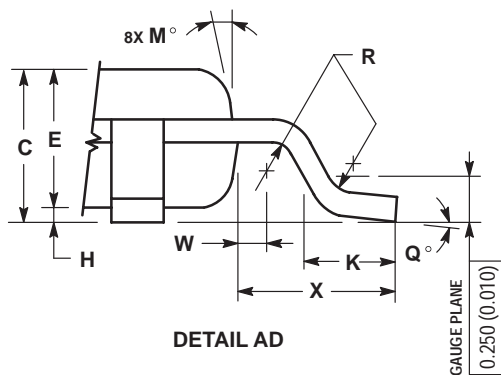
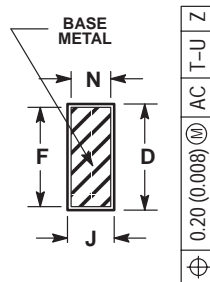
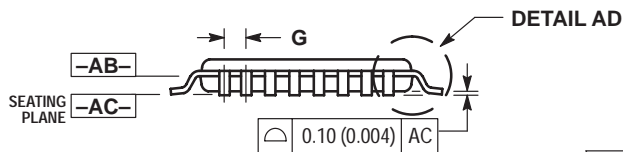
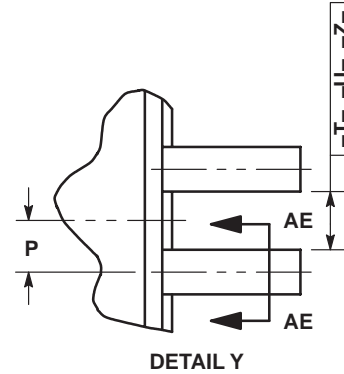
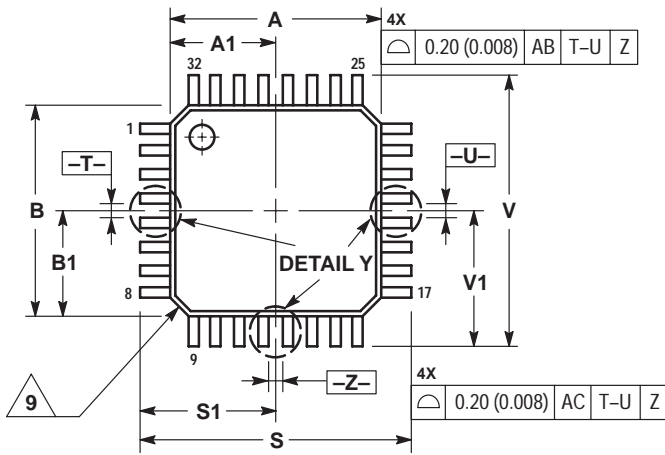


Figure 19. Transition Time Test Reference


OUTLINE DIMENSIONS

FA SUFFIX
LQFP PACKAGE
CASE 873A-02
ISSUE A



- NOTES:
1. DIMENSIONING AND TOLERANCING PER ANSI Y14.5M, 1982.
 2. CONTROLLING DIMENSION: MILLIMETER.
 3. DATUM PLANE -AB- IS LOCATED AT BOTTOM OF LEAD AND IS COINCIDENT WITH THE LEAD WHERE THE LEAD EXITS THE PLASTIC BODY AT THE BOTTOM OF THE PARTING LINE.
 4. DATUMS -T-, -U-, AND -Z- TO BE DETERMINED AT DATUM PLANE -AB-.
 5. DIMENSIONS S AND V TO BE DETERMINED AT SEATING PLANE -AC-.
 6. DIMENSIONS A AND B DO NOT INCLUDE MOLD PROTRUSION. ALLOWABLE PROTRUSION IS 0.250 (0.010) PER SIDE. DIMENSIONS A AND B DO INCLUDE MOLD MISMATCH AND ARE DETERMINED AT DATUM PLANE -AB-.
 7. DIMENSION D DOES NOT INCLUDE DAMBAR PROTRUSION. DAMBAR PROTRUSION SHALL NOT CAUSE THE D DIMENSION TO EXCEED 0.520 (0.020).
 8. MINIMUM SOLDER PLATE THICKNESS SHALL BE 0.0076 (0.0003).
 9. EXACT SHAPE OF EACH CORNER MAY VARY FROM DEPICTION.

DIM	MILLIMETERS		INCHES	
	MIN	MAX	MIN	MAX
A	7.000 BSC	0.276 BSC		
A1	3.500 BSC	0.138 BSC		
B	7.000 BSC	0.276 BSC		
B1	3.500 BSC	0.138 BSC		
C	1.400	1.600	0.055	0.063
D	0.300	0.450	0.012	0.018
E	1.350	1.450	0.053	0.057
F	0.300	0.400	0.012	0.016
G	0.800 BSC	0.031 BSC		
H	0.050	0.150	0.002	0.006
J	0.090	0.200	0.004	0.008
K	0.500	0.700	0.020	0.028
M	12° REF		12° REF	
N	0.090	0.160	0.004	0.006
P	0.400 BSC	0.016 BSC		
Q	1°	5°	1°	5°
R	0.150	0.250	0.006	0.010
S	9.000 BSC	0.354 BSC		
S1	4.500 BSC	0.177 BSC		
V	9.000 BSC	0.354 BSC		
V1	4.500 BSC	0.177 BSC		
W	0.200 REF	0.008 REF		
X	1.000 REF	0.039 REF		

Motorola reserves the right to make changes without further notice to any products herein. Motorola makes no warranty, representation or guarantee regarding the suitability of its products for any particular purpose, nor does Motorola assume any liability arising out of the application or use of any product or circuit, and specifically disclaims any and all liability, including without limitation consequential or incidental damages. "Typical" parameters which may be provided in Motorola data sheets and/or specifications can and do vary in different applications and actual performance may vary over time. All operating parameters, including "Typicals" must be validated for each customer application by customer's technical experts. Motorola does not convey any license under its patent rights nor the rights of others. Motorola products are not designed, intended, or authorized for use as components in systems intended for surgical implant into the body, or other applications intended to support or sustain life, or for any other application in which the failure of the Motorola product could create a situation where personal injury or death may occur. Should Buyer purchase or use Motorola products for any such unintended or unauthorized application, Buyer shall indemnify and hold Motorola and its officers, employees, subsidiaries, affiliates, and distributors harmless against all claims, costs, damages, and expenses, and reasonable attorney fees arising out of, directly or indirectly, any claim of personal injury or death associated with such unintended or unauthorized use, even if such claim alleges that Motorola was negligent regarding the design or manufacture of the part. Motorola and  are registered trademarks of Motorola, Inc. Motorola, Inc. is an Equal Opportunity/Affirmative Action Employer.

How to reach us:

USA/EUROPE/Locations Not Listed: Motorola Literature Distribution;
P.O. Box 5405, Denver, Colorado 80217. 1-303-675-2140 or 1-800-441-2447

JAPAN: Motorola Japan Ltd.; SPS, Technical Information Center, 3-20-1,
Minami-Azabu, Minato-ku, Tokyo 106-8573 Japan. 81-3-3440-3569

Technical Information Center: 1-800-521-6274

ASIA/PACIFIC: Motorola Semiconductors H.K. Ltd.; Silicon Harbour Centre,
2, Dai King Street, Tai Po Industrial Estate, Tai Po, N.T., Hong Kong.
852-26668334

HOME PAGE: <http://www.motorola.com/semiconductors/>