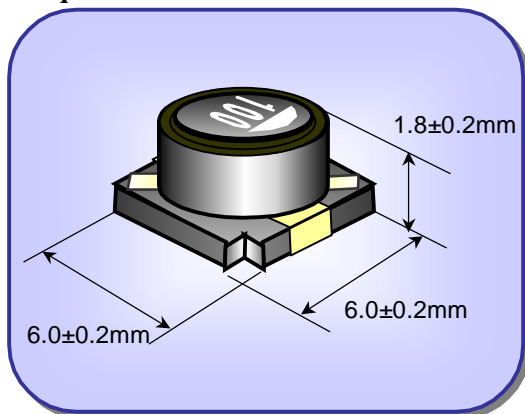


# SLF6018-TYPE

SMD Power Inductor

## Shape



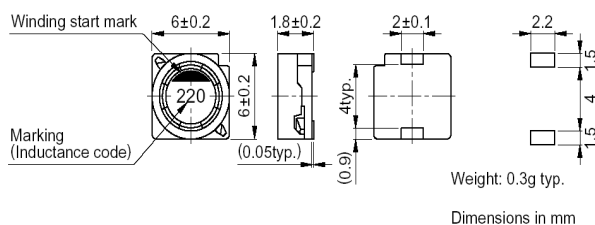
## Features :

- Miniature Size :  
Mount Area : 6.0mmX6.0mm  
Low Profile : 2.0mm Max. height
- Generic use for portable DC/DC Converter.
- High Magnetic Shield Construction should actualize High Resolution for EMC Protection.
- Automatic Mounting in Tape & Reel Package.

## Applicatins :

VCR Camera, PDA, HDD, LCD Display,  
Cellular Phone, Cordless Telephone, etc.

## Dimensions & Recommended PCB Pattern



## Electrical Characteristics

Item Descriptions	Inductance	Inductance	Test Freq.	DC Resistance	Rated DC Current	
	[ $\mu$ H]	Tolerance [%]		[ $\Omega$ ] $\pm 20\%$	IDC1 [A] max.	IDC2 [A] typ.
SLF6018T- 4R7MR96-K	4.7	$\pm 20$	1	0.17	1.70	0.96
SLF6018T- 6R8MR87-K	6.8	$\pm 20$	1	0.20	1.40	0.87
SLF6018T- 100MR68-K	10.0	$\pm 20$	1	0.32	1.10	0.68
SLF6018T- 150MR56-K	15.0	$\pm 20$	1	0.49	0.93	0.56
SLF6018T- 220MR49-K	22.0	$\pm 20$	1	0.65	0.76	0.49
SLF6018T- 330MR38-K	33.0	$\pm 20$	1	1.0	0.68	0.38
SLF6018T- 470MR36-K	47.0	$\pm 20$	1	1.2	0.58	0.36
SLF6018T- 680MR33-K	68.0	$\pm 20$	1	1.5	0.48	0.33
SLF6018T- 101MR30-K	100.0	$\pm 20$	1	3.2	0.30	0.30

§ Rated DC current : the less value which is IDC1 or IDC2

Idc1 : Rated Current based on inductance change (-30% reduction from initial value)

Idc2 : Rated Current based on temperature rise (25 typical)