

## Product Brief TUA 6014XS,-S,-K

### Single Chip for Terrestrial Television

Mixer, Oscillator, PLL IC for PAL and NTSC tuners. Due to its 25 GHz technology it combines wide dynamic range with good decoupling of the integrated RF and PLL blocks. The PLL system with dual - modulus - prescaler offers quick channel access and low phase noise. The heart of a tuner is the one chip Mixer-Oscillator-PLL IC TUA 6014. In this IC the analog tuner functions and the digital PLL part are combined. The Tuner IC meets the high demands for the PAL standard.



#### Potential Application

- TV
- Videorecorder
- Cable set-top-boxes for analog and digital TV

#### Features

- Double balanced mixer with wide dynamic range and high-impedance input for the VHF low or VHF high and a low-impedance input pair for the UHF frequency range
- Frequency and amplitude-stable balanced oscillators for the VHF low, VHF high and UHF frequency range
- Optimum decoupling of input frequency from oscillator
- PLL with short lock-in time; no asynchronous divider stage
- Short pull-in time for quick channel access and optimized loop stability
- High voltage VCO tuning output (35 V)
- Fast I<sup>2</sup>C-Bus mode possible
- 4 programmable chip addresses
- 4 high current switch outputs

- 5-level A/D converter
- Lock-in flag
- Power-down flag
- Few external components
- Internal band switch
- Internal low noise reference voltage source
- Full ESD protection

#### Price Projection

- Standard price list
- For Key and Focus accounts or high volumes you may contact your regional Siemens sales partner

#### Development and Support Tools

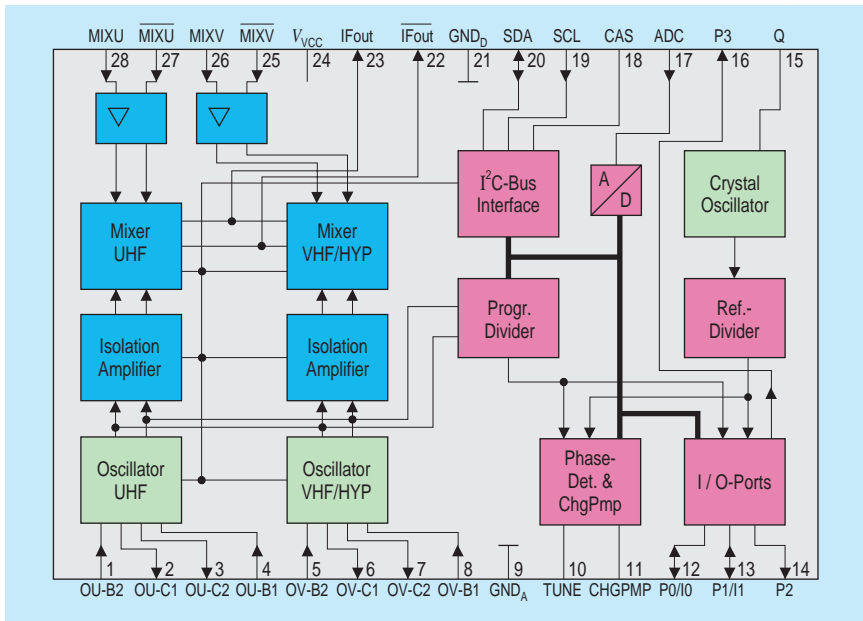
- Evaluation Board TUA 6014
- Reference Design PAL-Tuner
- I<sup>2</sup>C-Bus-Interface & DOS or Windows 3.11 control-software

| Features                          | Benefits                               |
|-----------------------------------|--|
| High-ohmic VHF input              | Simplified interstage filter design    |
| Low-ohmic UHF input               | No adjacent channel problem (N+/-1)    |
| Quick dynamic range               | Quick channel access                   |
| Fast dual modulus prog. divider   | More suitable for digital TV reception |
| Expensive foil cap in loop filter | Not necessary (lower BOM)              |
| Package                           | Space saving                           |

#### Packing

| Type       | Ordering Code     | Package      |
|------------|-------------------|--------------|
| TUA 6014XS | Q67036-A1001-A701 | P-TSSOP-28-1 |
| TUA 6014-K | Q67036-A1006-A702 | P-TSSOP-28-1 |
| TUA 6014-S | Q67036-A1020-A701 | P-TSSOP-28-1 |

# Block Diagram



## Availability

ES available;  
Product development release 04/98

- A** Wien ☎ (+43) 1-1707-356 11
- AUS** Richmond (Melbourne), Vic. 3121 ☎ (+61) 3-9420 71 11
- B** Brussel/Bruelles ☎ (+32) 2-536 23 48
- BR** São Paulo-SP ☎ (+55) 11-836 23 77/26 84
- CDN** Mississauga, Ontario L5T 1P2 ☎ (+1) 905-819 80 00
- CH** Zürich ☎ (+41) 1-495 30 65
- D** Düsseldorf ☎ (+49) 211-399 15 51  
Laatzen (Hannover) ☎ (+49) 511-877 27 06  
Nürnberg ☎ (+49) 911-654 76 22  
Stuttgart ☎ (+49) 711-137 33 14  
München ☎ (+49) 89-9221 40 86
- DK** Ballerup ☎ (+45) 4477-44 77
- E** Tres Cantos-Madrid ☎ (+34) 91-514 80 00
- F** Saint-Denis CEDEX 2 ☎ (+33) 1-4922 31 00
- FIN** Espoo (Helsinki) ☎ (+35) 9-5105 1
- GB** Berkshire RG 12 8FZ ☎ (+44) 1344-39 60 00
- GR** Amaroussio/Athen ☎ (+30) 1-686 41 11
- HK** Hong Kong ☎ (+852) 2832 05 00
- I** Milano ☎ (+39) 02-6676-1
- IND** New Delhi 110 014 ☎ (+91) 11-461 74 47  
Bangalore 560 001 ☎ (+91) 80-227 98 74  
Mumbai ☎ (+91) 22-496 21 99
- IRL** Dublin 4 ☎ (+353) 1-603 23 42
- J** Tokyo 141-0022 ☎ (+81) 3-5449 64 11
- MAL** Penang ☎ (+60) 4-644 99 75
- N** Oslo 5 ☎ (+47) 22-63 30 00
- NL** Den Haag ☎ (+31) 70-333 24 29
- NZ** Auckland ☎ (+64) 9-520 30 33
- P** Amadora ☎ (+35) 1-417 00 11
- PK** Islamabad ☎ (+92) 51-21 22 00
- PL** Warszawa ☎ (+48) 2-670 91 51
- RC** Taipei ☎ (+886) 2-2773 66 06
- ROK** Seoul 135-080 ☎ (+82) 2-527 77 00
- RUS** Moskva ☎ (+7) 095-237-64 76, -69 11
- S** Kista ☎ (+46) 8-703 35 00
- SGP** Singapore 349 253 ☎ (+65) 840 06 10
- TR** Findikli (Istanbul) ☎ (+90) 212-251 09 00
- USA** Cupertino, CA 95014 ☎ (+1) 408-777 45 00  
Cupertino, CA 95014 ☎ (+1) 408-257 79 10  
Iselin, NJ 08830-2770 ☎ (+1) 732-906 43 00
- VRC** Beijing ☎ (+86) 10-6857 90-06, -07
- Shanghai 200003 ☎ (+86) 21-6361 26 18/19
- ZA** Halfway House 1685 ☎ (+27) 11-652-20 00, -27 00

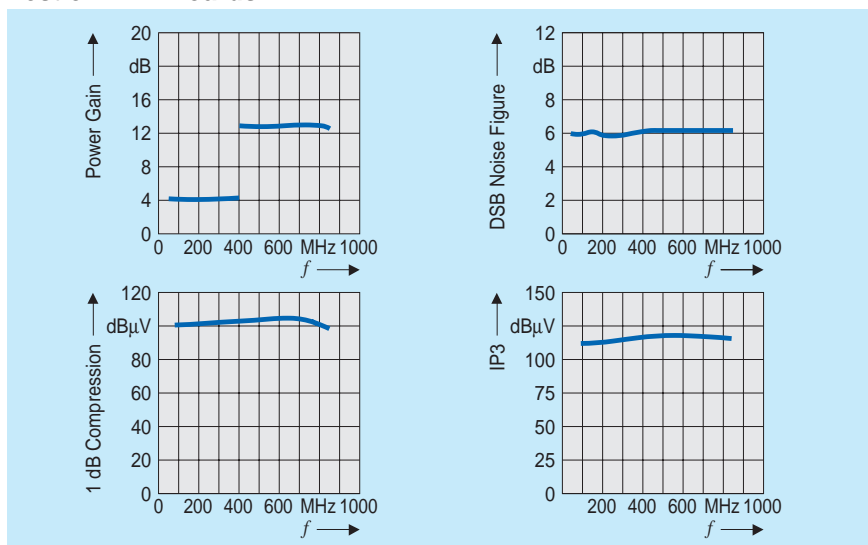
## Feature Requirements

| PAL  | NTSC   |
|--|--|
| 3 Ports<br>(VHF low, VHF high, UHF)                | 4 Ports<br>(VHF low, VHF high, FM trap, UHF) |
| Balanced (or unbalanced) IF output<br>to drive SWF | Unbalanced 75 Ω IF output                    |
| 4-Pin VHF Oscillator                               | 2-Pin VHF Oscillator                         |
| 4-Pin UHF Oscillator                               | 4-Pin UHF Oscillator                         |
| I <sup>2</sup> C Bus                               | I <sup>2</sup> C Bus                         |

| Documentation  | Date of Issue/Version |
|--|-----------------------|
| Specification  | 6/98                  |
| Application Note (Tuner)   | 6/98                  |
| Application Note (EVA Board)   | 10/98                 |
| Articles/Press Releases<br>– Components (p. 43)<br>– Components (p. 23-25) | 3/97<br>4/97          |

## Test on EVA Boards



How to reach us:

<http://www.siemens.de/semiconductor>

© Siemens AG 1998.

All Rights Reserved.

Please note that any information contained in this publication may be subject to change. Siemens reserves the right to make changes to or to discontinue any product or service identified in this publication without notice.

Please contact our regional offices to receive the latest version of the relevant information to verify, before placing orders, that the information being relied upon is current.

All brand or product names, hardware or software names are trademarks of their respective companies or organizations.

Published by Semiconductor Group

Siemens Aktiengesellschaft

Ordering No. B168-H7383-X-X-7600  
Printed in Germany  
PS 11983.