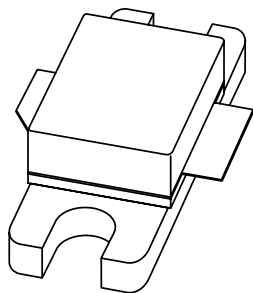


DATA SHEET



BLF2022-30 UHF power LDMOS transistor

Product specification
Supersedes data of 2002 Dec 19

2003 Feb 24

UHF power LDMOS transistor

BLF2022-30

FEATURES

- Typical W-CDMA performance at a supply voltage of 28 V and I_{DQ} of 240 mA:
 - Output power = 3.5 W (AV)
 - Gain = 12.9 dB
 - Efficiency = 16.5%
 - ACPR = -45 dBc at 3.84 MHz
 - $d_{im} = -42$ dBc
- Easy power control
- Excellent ruggedness
- High power gain
- Excellent thermal stability
- Designed for broadband operation (2000 to 2200 MHz)
- Internally matched for ease of use.

APPLICATIONS

- RF power amplifiers for W-CDMA base stations and multicarrier applications in the 2000 to 2200 MHz frequency range.

DESCRIPTION

30 W LDMOS power transistor for base station applications at frequencies from 2000 to 2200 MHz.

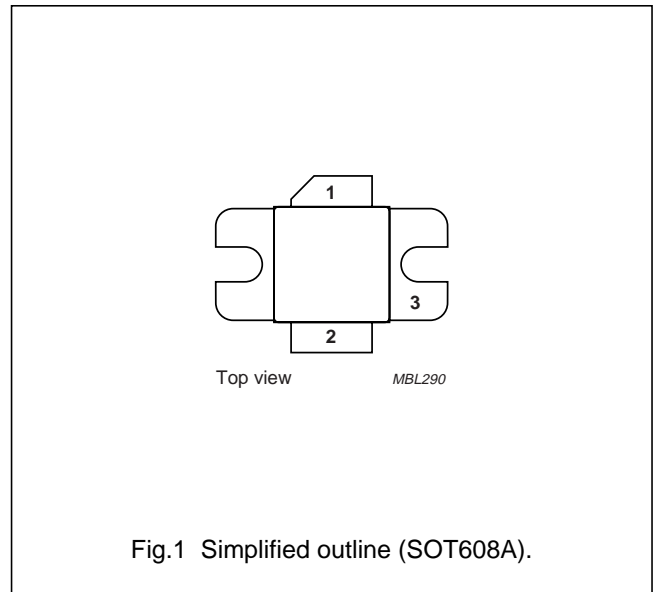
QUICK REFERENCE DATA

Typical RF performance at $T_h = 25$ °C in a common source test circuit.

MODE OF OPERATION	f (MHz)	V_{DS} (V)	I_{DQ} (mA)	P_L (W)	G_p (dB)	η_D (%)	d_{im} (dBc)	ACLR ₅ (dBc)
2-tone, class-AB	$f_1 = 2170; f_2 = 2170.1$	28	240	30 (PEP)	12.6	34.3	-29.5	-
two-carrier W-CDMA test model 1, 64 channels	$f_1 = 2155; f_2 = 2165$	28	270	3.5 (AV)	12.9	16.5	-42	-45

PINNING - SOT608A

PIN	DESCRIPTION
1	drain
2	gate
3	source, connected to flange



CAUTION

This product is supplied in anti-static packing to prevent damage caused by electrostatic discharge during transport and handling. For further information, refer to Philips specs.: SNW-EQ-608, SNW-FQ-302A and SNW-FQ-302B.

UHF power LDMOS transistor

BLF2022-30

LIMITING VALUES

In accordance with the Absolute Maximum Rating System (IEC 60134).

SYMBOL	PARAMETER	MIN.	MAX.	UNIT
V_{DS}	drain-source voltage	–	65	V
V_{GS}	gate-source voltage	–	±15	V
I_D	DC drain current	–	4.5	A
T_{stg}	storage temperature	–65	+150	°C
T_j	junction temperature	–	200	°C

THERMAL CHARACTERISTICS

SYMBOL	PARAMETER	CONDITIONS	VALUE	UNIT
$R_{th\ j-h}$	thermal resistance from junction to heatsink	$T_h = 25\text{ °C}$; note 1	1.85	K/W

Notes

1. Thermal resistance is determined under specified RF operating conditions.

CHARACTERISTICS $T_j = 25\text{ °C}$ unless otherwise specified.

SYMBOL	PARAMETER	CONDITIONS	MIN.	TYP.	MAX.	UNIT
$V_{(BR)DSS}$	drain-source breakdown voltage	$V_{GS} = 0$; $I_D = 0.7\text{ mA}$	65	–	–	V
V_{GSth}	gate-source threshold voltage	$V_{DS} = 10\text{ V}$; $I_D = 70\text{ mA}$	4.5	–	5.5	V
I_{DSS}	drain-source leakage current	$V_{GS} = 0$; $V_{DS} = 28\text{ V}$	–	–	5	μA
I_{DSX}	on-state drain current	$V_{GS} = V_{GSth} + 9\text{ V}$; $V_{DS} = 10\text{ V}$	9	–	–	A
I_{GSS}	gate leakage current	$V_{GS} = \pm 15\text{ V}$; $V_{DS} = 0$	–	–	11	nA
g_{fs}	forward transconductance	$V_{DS} = 10\text{ V}$; $I_D = 2.5\text{ A}$	–	2	–	S
R_{DSon}	drain-source on-state resistance	$V_{GS} = V_{GSth} + 9\text{ V}$; $I_D = 2.5\text{ A}$	–	0.3	–	Ω
C_{rs}	feedback capacitance	$V_{GS} = 0$; $V_{DS} = 28\text{ V}$; $f = 1\text{ MHz}$	–	1.7	–	pF

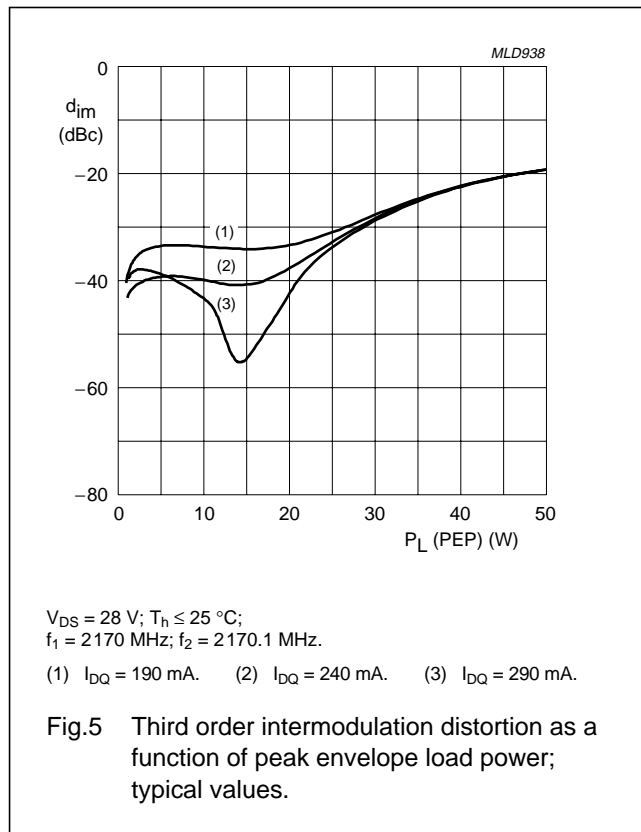
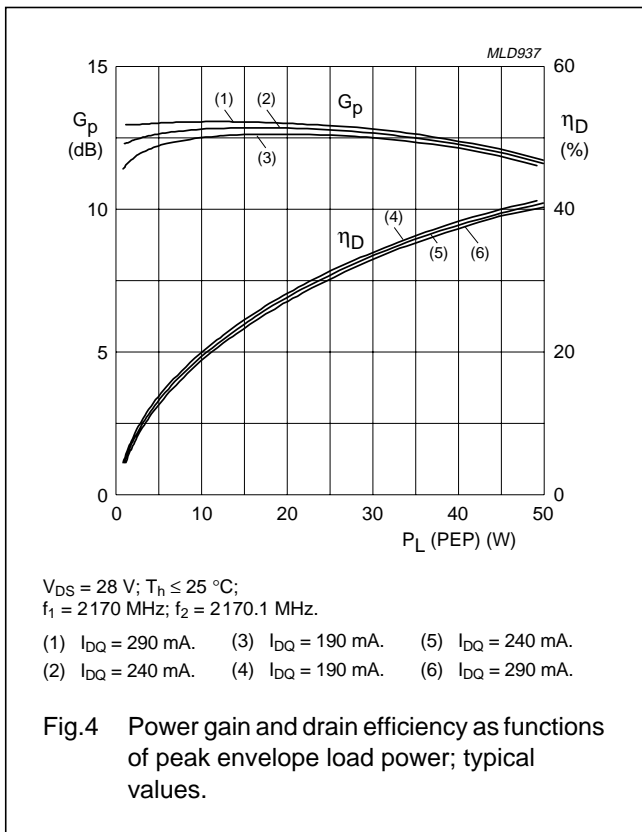
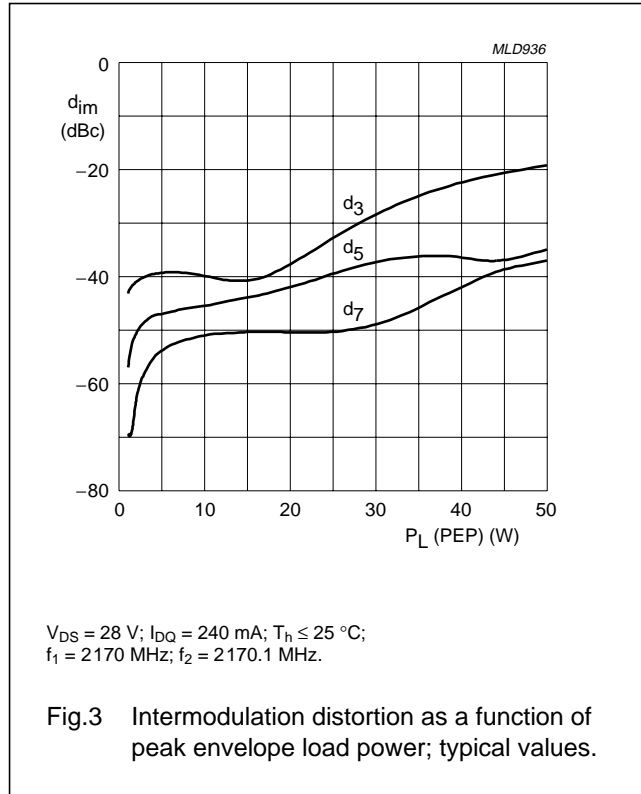
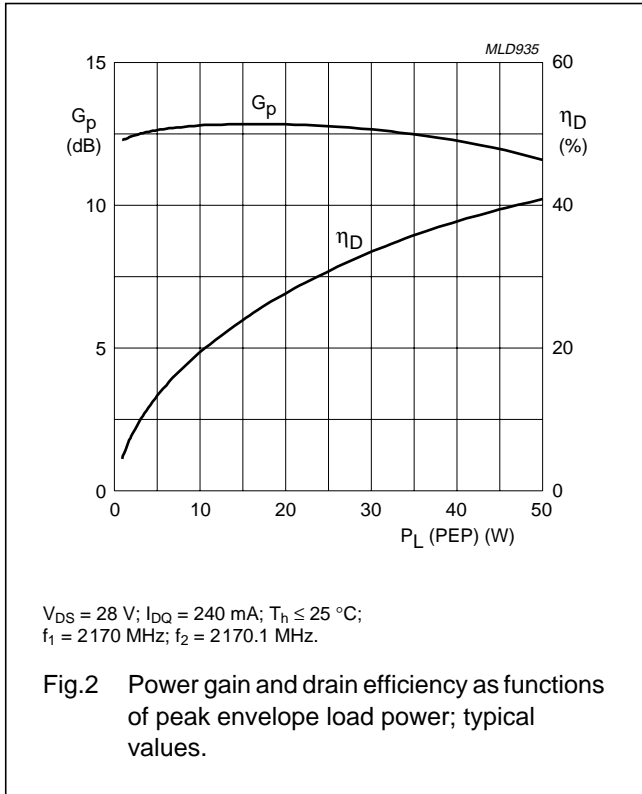
APPLICATION INFORMATIONRF performance in a common source class-AB circuit. $T_h = 25\text{ °C}$; $R_{th\ j-c} = 1.85\text{ K/W}$; unless otherwise specified.

MODE OF OPERATION	f (MHz)	V_{DS} (V)	I_{DQ} (mA)	P_L (W)	G_p (dB)	η_D (%)	d_{im} (dBc)
2-tone, class-AB	$f_1 = 2170$; $f_2 = 2170.1$	28	240	30 (PEP)	>11	>30	≤–25

Ruggedness in class-AB operationThe BLF2022-30 is capable of withstanding a load mismatch corresponding to $VSWR = 10 : 1$ through all phases under the following conditions: $V_{DS} = 28\text{ V}$; $I_{DQ} = 240\text{ mA}$; $P_L = 30\text{ W}$; $f = 2170\text{ MHz}$.

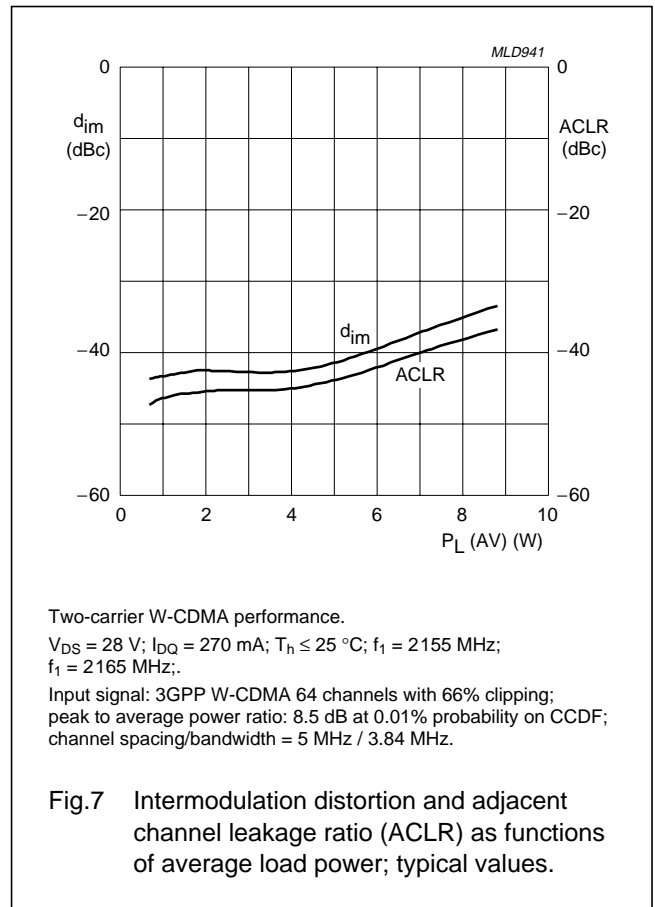
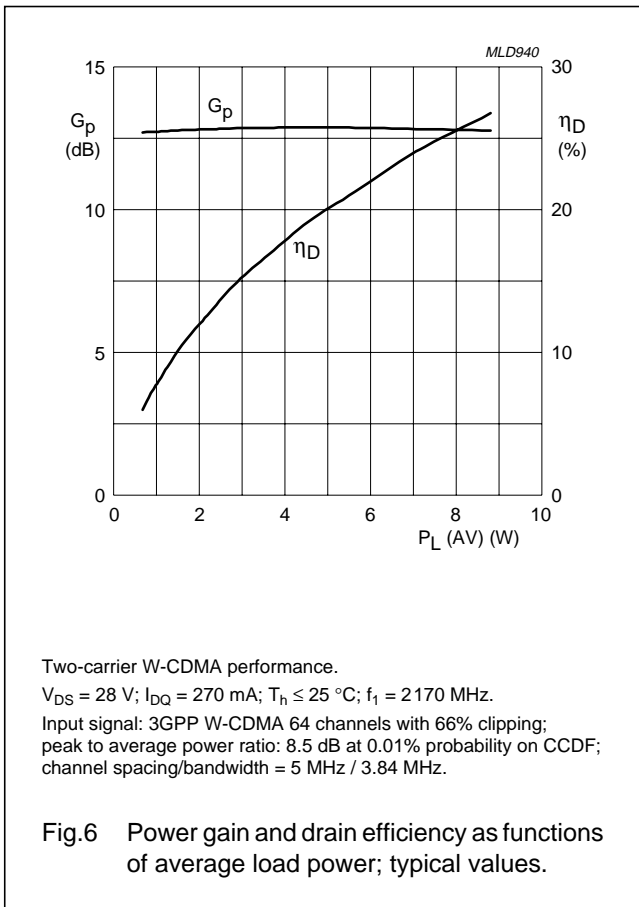
UHF power LDMOS transistor

BLF2022-30



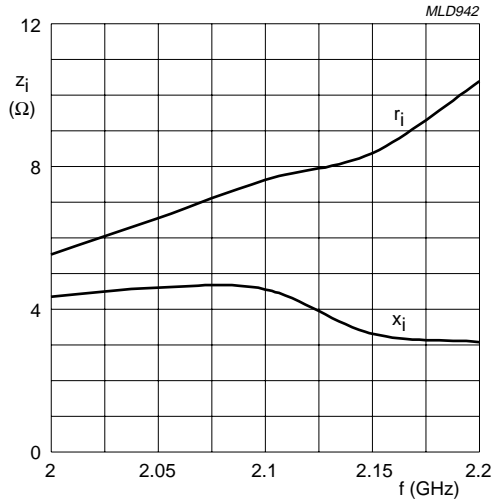
UHF power LDMOS transistor

BLF2022-30



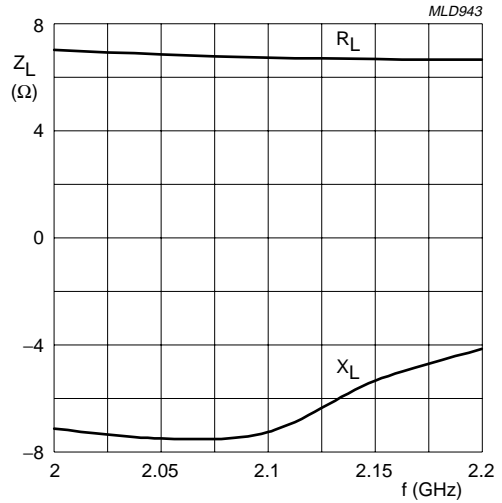
UHF power LDMOS transistor

BLF2022-30



$V_{DS} = 28\text{ V}$; $I_D = 240\text{ mA}$; $P_L = 30\text{ W}$; $T_h \leq 25\text{ }^\circ\text{C}$.

Fig.8 Input impedance as a function of frequency (series components); typical values.



$V_{DS} = 28\text{ V}$; $I_D = 240\text{ mA}$; $P_L = 30\text{ W}$; $T_h \leq 25\text{ }^\circ\text{C}$.

Fig.9 Load impedance as a function of frequency (series components); typical values.

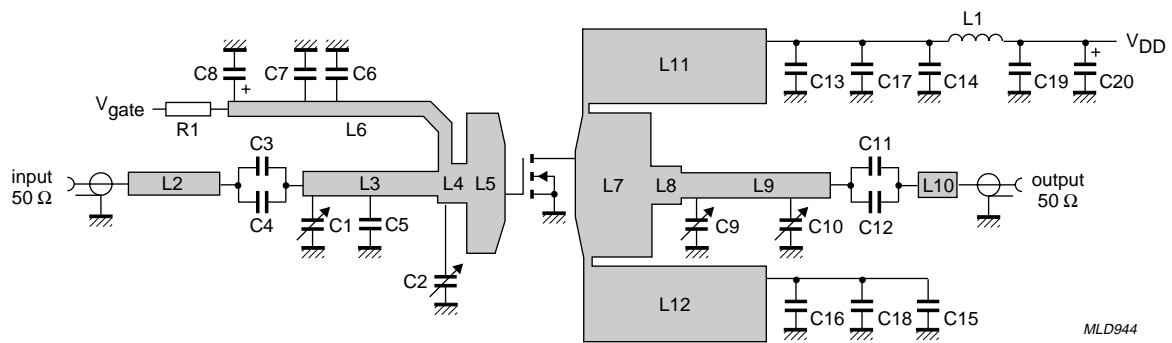


Fig.10 Class-AB test circuit.

UHF power LDMOS transistor

BLF2022-30

List of components (See Figs 10 and 11)

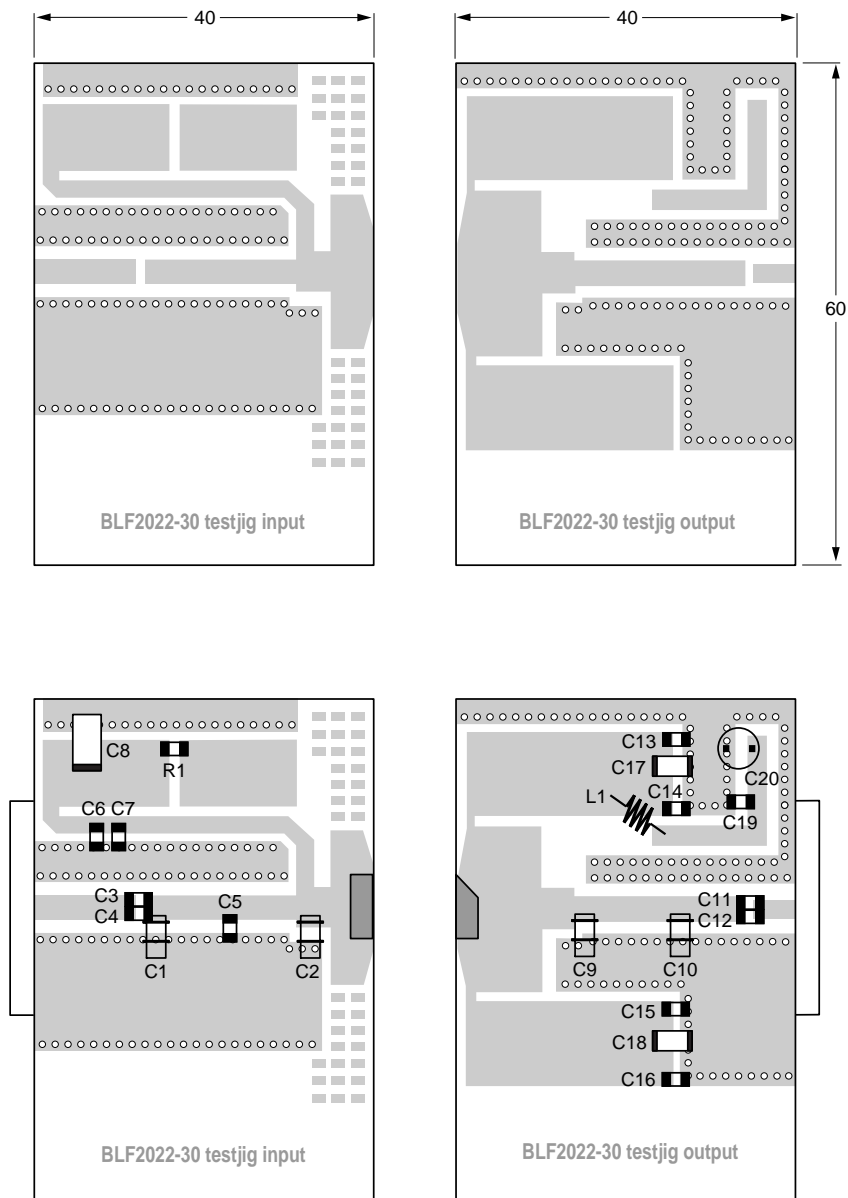
COMPONENT	DESCRIPTION	VALUE	DIMENSIONS	CATALOGUE NO.
C1, C2, C9, C10	Tekelec variable capacitor	0.6 to 4.5 pF		
C3, C4, C11, C12	multilayer ceramic chip capacitor; note 1	6.8 pF		
C5	multilayer ceramic chip capacitor; note 1	2.2 pF		
C6, C7, C13, C14, C15, C16	multilayer ceramic chip capacitor; note 1	12 pF		
C8	tantalum capacitor	10 μ F		
C17, C18	multilayer ceramic chip capacitor	4.7 μ F		TDK C4532X7R1H475M
C19	multilayer ceramic chip capacitor; note 2	1 nF		
C20	electrolytic capacitor	100 μ F; 63 V		
L1	handmade		2 loops, dia. 4 mm	
L2	stripline; note 3	50 Ω	12 \times 2.4 mm	
L3	stripline; note 3	43 Ω	18 \times 3 mm	
L4	stripline; note 3	29 Ω	4 \times 5 mm	
L5	stripline; note 3	10 Ω	5 \times 18.4 mm	
L6	stripline; note 3	56 Ω	34.4 \times 2 mm	
L7	stripline; note 3	9 Ω	10 \times 20 mm	
L8	stripline; note 3	29 Ω	4 \times 5 mm	
L9	stripline; note 3	41 Ω	20 \times 3.2 mm	
L10	stripline; note 3	50 Ω	5 \times 2.4 mm	
L11, L12	stripline; note 3	17 Ω	24.5 \times 10 mm	

Notes

1. American Technical Ceramics type 100A or capacitor of same quality.
2. American Technical Ceramics type 100B or capacitor of same quality.
3. The striplines are on a double copper-clad printed-circuit board with Teflon dielectric ($\epsilon_r = 2.2$); thickness 0.79 mm.

UHF power LDMOS transistor

BLF2022-30



MLD945

Dimensions in mm.

The components are situated on one side of the copper-clad printed-circuit board with Teflon dielectric ($\epsilon_r = 2.2$), thickness 0.79 mm. The other side is unetched and serves as a ground plane.

Fig.11 Component layout for 2.17 GHz class-AB test circuit.

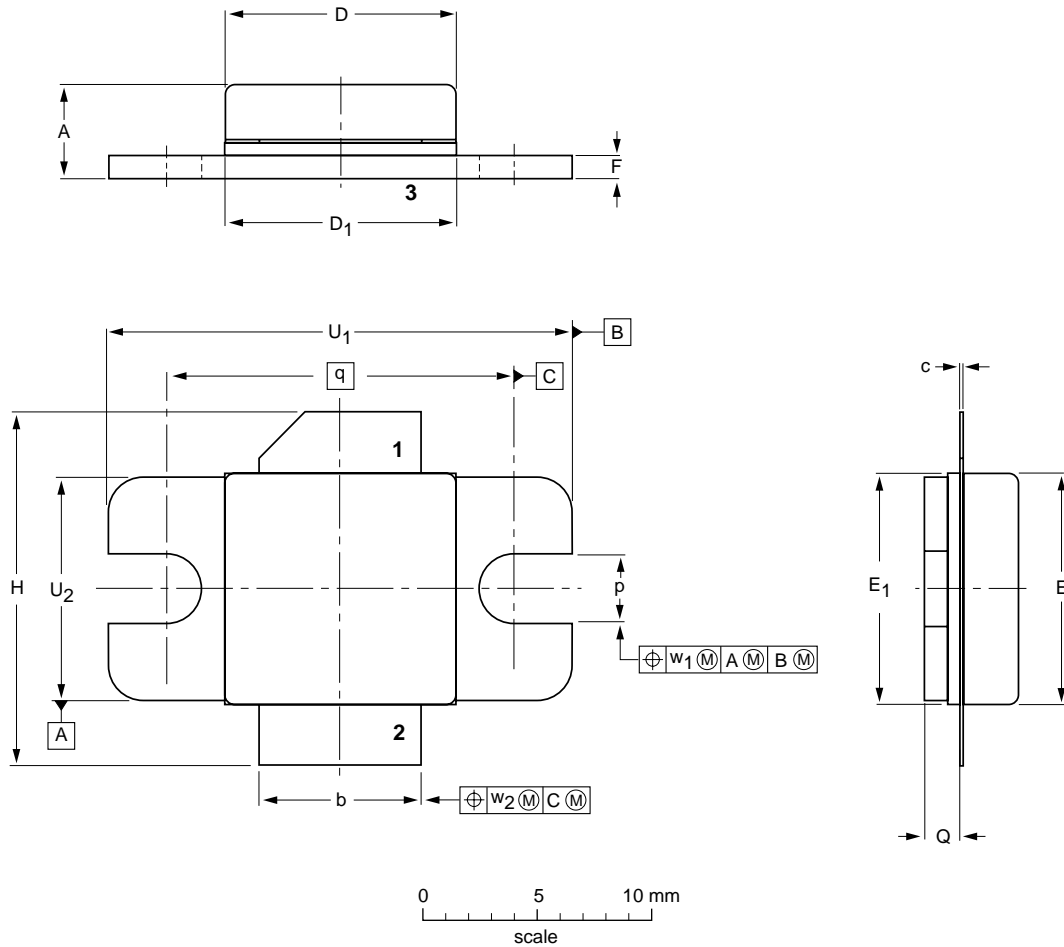
UHF power LDMOS transistor

BLF2022-30

PACKAGE OUTLINE

Flanged ceramic package; 2 mounting holes; 2 leads

SOT608A



DIMENSIONS (millimetre dimensions are derived from the original inch dimensions)

UNIT	A	b	c	D	D ₁	E	E ₁	F	H	p	Q	q	U ₁	U ₂	w ₁	w ₂
mm	4.62 3.76	7.24 6.99	0.15 0.10	10.21 10.01	10.29 10.03	10.21 10.01	10.29 10.03	1.14 0.89	15.75 14.73	3.30 2.92	1.70 1.35	15.24	20.45 20.19	9.91 9.65	0.25	0.51
inches	0.182 0.148	0.285 0.275	0.006 0.004	0.402 0.394	0.405 0.395	0.402 0.394	0.405 0.395	0.045 0.035	0.620 0.580	0.130 0.115	0.067 0.053	0.600	0.805 0.795	0.390 0.380	0.010	0.020

OUTLINE VERSION	REFERENCES				EUROPEAN PROJECTION	ISSUE DATE
	IEC	JEDEC	EIAJ			
SOT608A						01-02-22- 02-02-11

UHF power LDMOS transistor

BLF2022-30

DATA SHEET STATUS

LEVEL	DATA SHEET STATUS ⁽¹⁾	PRODUCT STATUS ⁽²⁾⁽³⁾	DEFINITION
I	Objective data	Development	This data sheet contains data from the objective specification for product development. Philips Semiconductors reserves the right to change the specification in any manner without notice.
II	Preliminary data	Qualification	This data sheet contains data from the preliminary specification. Supplementary data will be published at a later date. Philips Semiconductors reserves the right to change the specification without notice, in order to improve the design and supply the best possible product.
III	Product data	Production	This data sheet contains data from the product specification. Philips Semiconductors reserves the right to make changes at any time in order to improve the design, manufacturing and supply. Relevant changes will be communicated via a Customer Product/Process Change Notification (CPCN).

Notes

1. Please consult the most recently issued data sheet before initiating or completing a design.
2. The product status of the device(s) described in this data sheet may have changed since this data sheet was published. The latest information is available on the Internet at URL <http://www.semiconductors.philips.com>.
3. For data sheets describing multiple type numbers, the highest-level product status determines the data sheet status.

DEFINITIONS

Short-form specification — The data in a short-form specification is extracted from a full data sheet with the same type number and title. For detailed information see the relevant data sheet or data handbook.

Limiting values definition — Limiting values given are in accordance with the Absolute Maximum Rating System (IEC 60134). Stress above one or more of the limiting values may cause permanent damage to the device. These are stress ratings only and operation of the device at these or at any other conditions above those given in the Characteristics sections of the specification is not implied. Exposure to limiting values for extended periods may affect device reliability.

Application information — Applications that are described herein for any of these products are for illustrative purposes only. Philips Semiconductors make no representation or warranty that such applications will be suitable for the specified use without further testing or modification.

DISCLAIMERS

Life support applications — These products are not designed for use in life support appliances, devices, or systems where malfunction of these products can reasonably be expected to result in personal injury. Philips Semiconductors customers using or selling these products for use in such applications do so at their own risk and agree to fully indemnify Philips Semiconductors for any damages resulting from such application.

Right to make changes — Philips Semiconductors reserves the right to make changes in the products - including circuits, standard cells, and/or software - described or contained herein in order to improve design and/or performance. When the product is in full production (status 'Production'), relevant changes will be communicated via a Customer Product/Process Change Notification (CPCN). Philips Semiconductors assumes no responsibility or liability for the use of any of these products, conveys no licence or title under any patent, copyright, or mask work right to these products, and makes no representations or warranties that these products are free from patent, copyright, or mask work right infringement, unless otherwise specified.

UHF power LDMOS transistor

BLF2022-30

NOTES

Philips Semiconductors – a worldwide company

Contact information

For additional information please visit <http://www.semiconductors.philips.com>. Fax: +31 40 27 24825

For sales offices addresses send e-mail to: sales.addresses@www.semiconductors.philips.com.

© Koninklijke Philips Electronics N.V. 2003

SCA75

All rights are reserved. Reproduction in whole or in part is prohibited without the prior written consent of the copyright owner.

The information presented in this document does not form part of any quotation or contract, is believed to be accurate and reliable and may be changed without notice. No liability will be accepted by the publisher for any consequence of its use. Publication thereof does not convey nor imply any license under patent- or other industrial or intellectual property rights.

Printed in The Netherlands

613524/03/pp12

Date of release: 2003 Feb 24

Document order number: 9397 750 10921

Let's make things better.

**Philips
Semiconductors**



PHILIPS