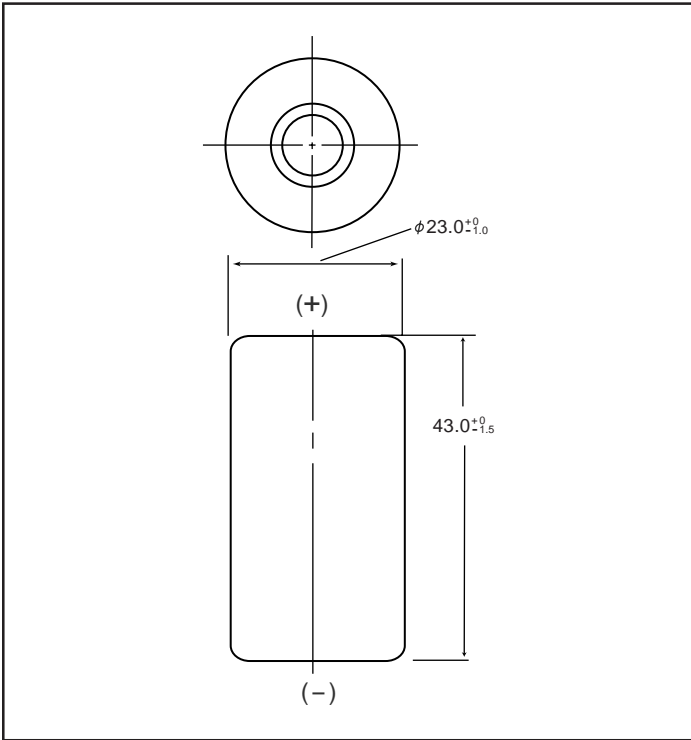


NICKEL METAL HYDRIDE BATTERIES: INDIVIDUAL DATA SHEET

HHR300SCP Cylindrical SC size (HR 23/43)

Dimensions (with Tube) (mm)



Specifications

	mm	inch
Diameter	23.0 +0 / -1.0	0.91 +0 / -0.04
Height	43.0 +0 / -1.5	1.69 +0 / -0.06
Approximate Weight	Grams	Ounces
	55g	1.94

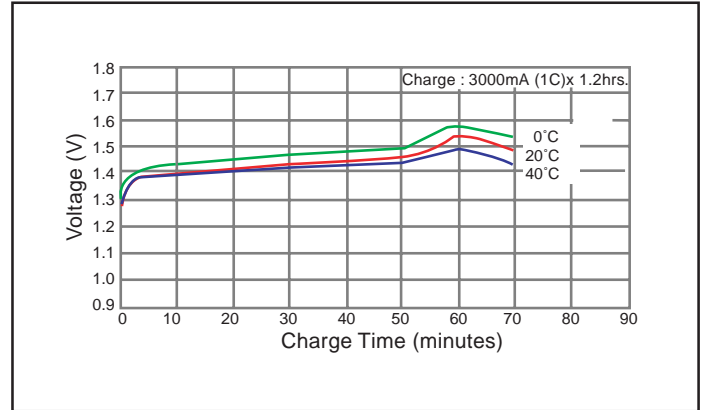
Nominal Voltage		1.2V	
Discharge Capacity*	Average**	3050mAh	
	Rated (Min.)	2800mAh	
Approx. Internal impedance at 1000Hz at charged state.		4mΩ	
Charge	Standard	300mA (0.1C) x 16hrs.	
	Rapid	3000mA (1C) x 1.2hrs.	
Ambient Temperature	Charge	Standard	°C
			°F
	Rapid	0°C to 45°C	32°F to 113°F
	Discharge	0°C to 40°C	32°F to 104°F
Storage	< 2 years	-10°C to 65°C	14°F to 149°F
	< 6 months	-20°C to 35°C	-4°F to 95°F
		-20°C to 45°C	-4°F to 113°F

* After charging at 0.1C for 16 hours, discharging at 0.2C.

** For reference only.

Battery performance and cycle life are strongly affected by how they are used. In order to maximize battery safety, please consult Panasonic when determining charge / discharge specs, warning label contents and unit design.

Typical Charge Characteristics



Typical Discharge Characteristics

