

ISDN Data Access Controller ISAR PSB 7110

The PSB 7110 ISAR has been designed as advanced solution for passive ISDN PC-cards and stand alone terminal adapter boxes. It is an ISDN data access controller, which supports data rate adaptation, standard HDLC protocoling and communication with remote analog fax or modem applications.

1. Potential application

- ISDN PC-Card / Standalone Box
- ISDN Data Terminals
- Fax Pools / Fax Gateways
- ISDN/Fax Routers

2. Features:

- Two universal formatter supporting async, HDLC and binary framing of B-channel data
- Bit rate adaptation according to V.110 for both B-channels (except during datamodem modulation)
- IOM-2 terminal mode (1.536 Mhz), line card mode (4MHz)
- Fax / modem modulation up to 14.4 kbaud (V.32bis, V.17) including fall back modes
- DTMF generation / reception
- External memory interface to connect external SRAM with a size of 32K x 16 for program and data
- 61 byte FIFO per direction for host interface communication
- Mailbox interface for host communication
- 3.6V power supply with separate 5V supply for interface pins
- Advanced CMOS technology

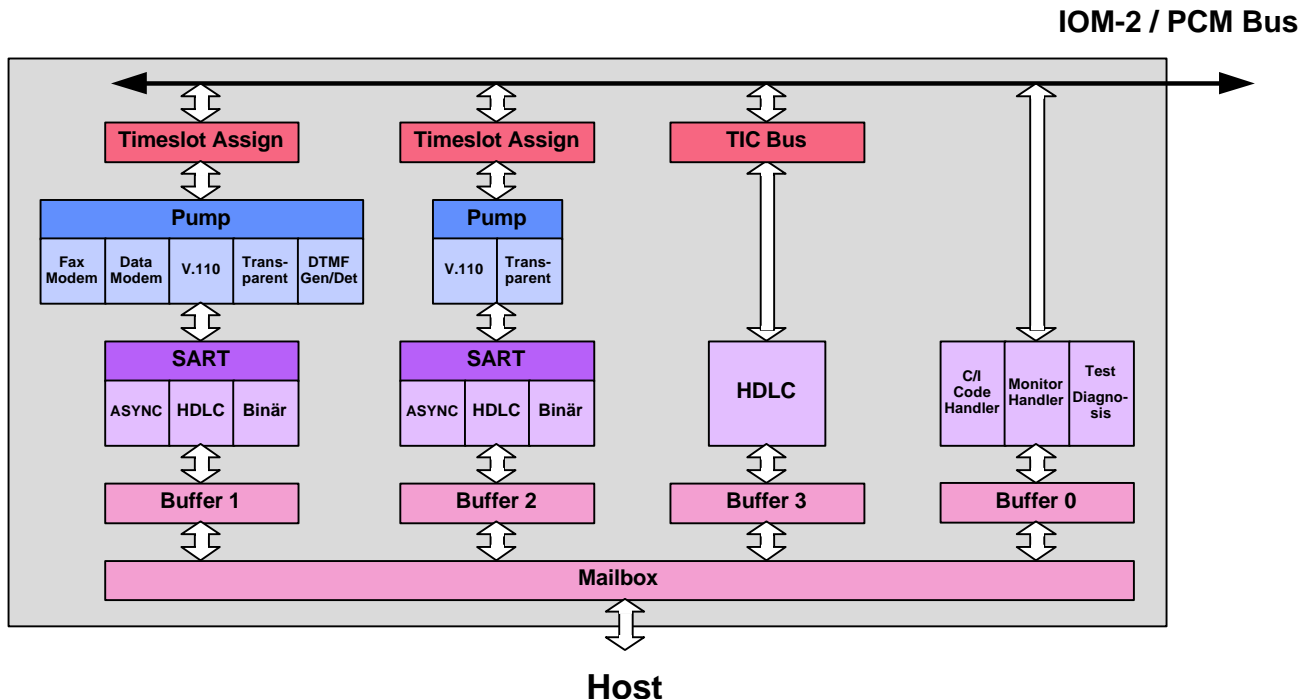
3. Packing

Type	Ordering Code	Package
PSB 7110F V1.0	Q67101-H6748	P-TQFP-100

4. Product status

Product	Step	Status	Changes
PSB 7110	V1.0	Production	

5. Diagram



6. Documentation

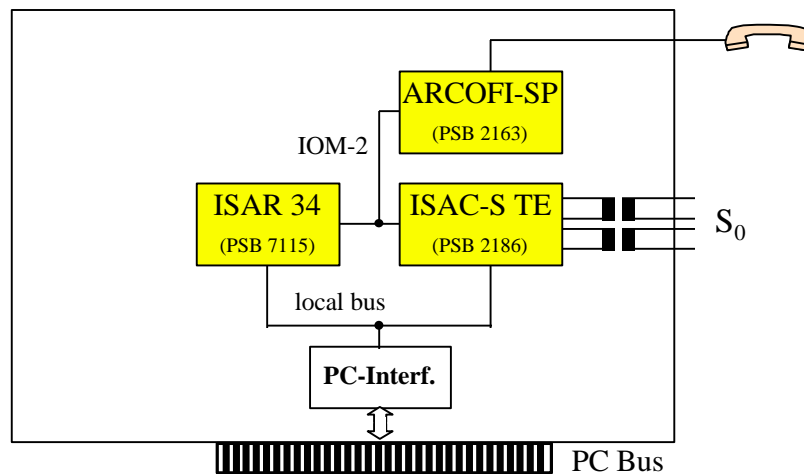
	<u>Date of issue/version</u>	<u>Type of material</u>
Delta Sheet V1.0	7/96	Copy
Delta Sheet V1.0 Nr.4	07/96	Copy
Errata Sheet V1.0	8/96	Copy
Article: The Home Office takes off Technical Information, Roadmap ISAR-Family		B115-H6967-X-X-7600/B115-H6967
ISAR Reference Board SIPB 7110	03/96	Copy

7. Development and support tools

	<u>Availability</u>	<u>Ordering number</u>
SIPB 7110 ISAR Ref. Board S- only complete package	available	Q67100-H6816

8. Applications (possible examples)

- ISDN Terminal Adapter featuring ISDN,, modem fax



- ISDN PC-Card

