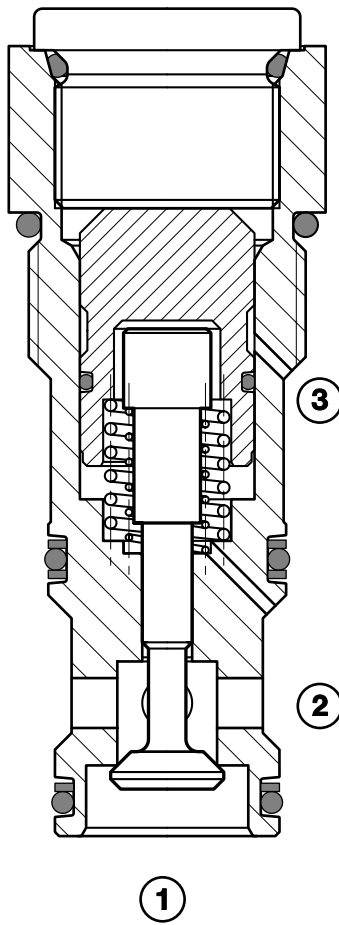


Up to 40 gpm (150 l/min)  
and 6000 psi (420 bar)

## FUNCTION



The RP16A allows flow from 2 to 1 and blocks flow from 1 to 2 until sufficient pressure is present at 3 to permit flow.

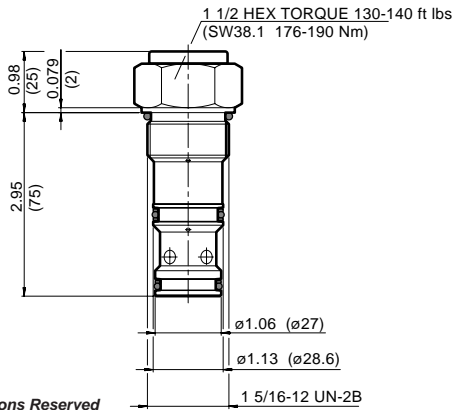
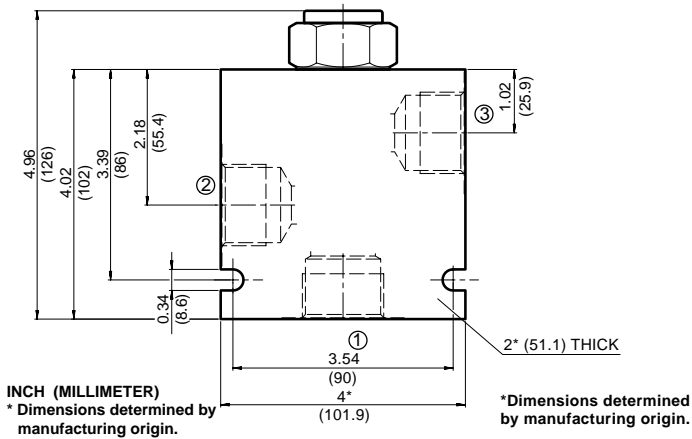
## FEATURES

- All surfaces zinc plated and corrosion-proof
- Low leakage design
- Reseating spring in pilot assembly enhances reliability
- Optional sealed pilot
- Quick response

## SPECIFICATIONS

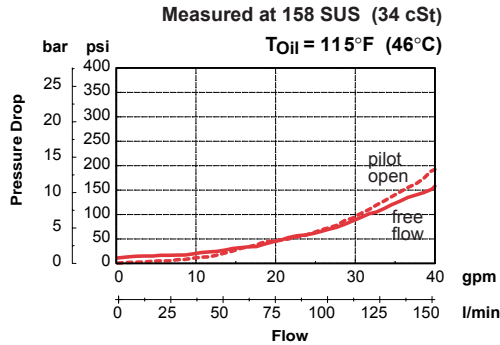
<b>Operating Pressure:</b>	6000 psi	(420 bar)
<b>Nominal Flow:</b>	40 gpm	(150 l/min)
<b>Internal Leakage:</b>	2 drops/min.	
<b>Check bias spring:</b>	15 psi (1 bar)	
<b>Pilot Ratio:</b>	3:1, 4:1	
<b>Fluid Operating Temp. Range:</b>	-4°F to 248°F (-4°C to +120°C) <i>Consult factory for usage at temperatures outside this range</i>	
<b>Fluid Compatibility:</b>	Mineral-based or synthetics with lubricating properties	
<b>Viscosity:</b>	50 to 2000 SUS (7.4 to 420 cSt)	
<b>Filtration:</b>	Class 21/19/16 or cleaner (according to ISO 4406)	
<b>Material:</b>	<b>Valve body:</b>	Carbon Steel
	<b>Pilot:</b>	Carbon Steel
	<b>Poppet:</b>	Carbon Steel
	<b>Seals:</b>	Buna-N (standard) Viton™ (optional)
<b>Cavity:</b>	FC16-3	
<b>Weight:</b>	1.13Lbs.	(510 g)

## DIMENSIONS

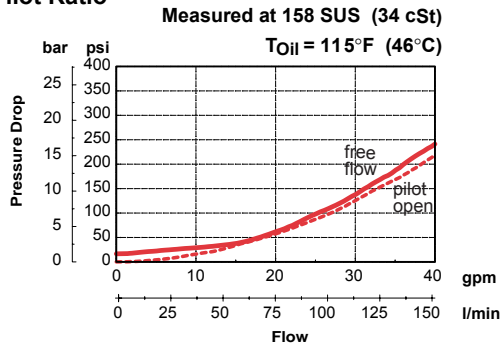


## PERFORMANCE

### 3:1 Pilot Ratio



### 4:1 Pilot Ratio



## MODEL CODE

**RP16A-01-C-N-15 3**

VALVE MODEL \_\_\_\_\_

BODY & PORTS\* \_\_\_\_\_

- C = No Line Body, Cartridge only
- AS6 = SAE-6 ports, aluminium body
- SS6 = SAE-6 ports, steel body

SEALS \_\_\_\_\_

- N = Buna-N
- NS = Buna-N with Piston Seal
- V = Viton™
- VS = Viton™ with Piston Seal

CRACKING PRESSURE \_\_\_\_\_

15 = 15 psi (1 bar)

PILOT RATIO \_\_\_\_\_

- 3=3:1
- 4=4:1

### \*Standard Line Bodies:

Code	Part No	Description	Pressure
FH163-AS16	3037210	Clear anodized aluminium SAE-16 ports	3500 psi (245 bar)
FH163-SS16	3036285	Zinc plated steel SAE-16 ports	6000 psi (420 bar)

\*Please refer to data sheet HHD-BCT for further cavity and body specifications. Alternate port sizes, types, body materials, finishes, and custom designs available.

# HYDAC

## HYDAC Technology Corporation

445 Windy Point Drive • Glendale Heights, IL 60139

Phone (630) 545-0800 • Fax (630) 545-0033

www.hydacusa.com • powerup@hydacusa.com