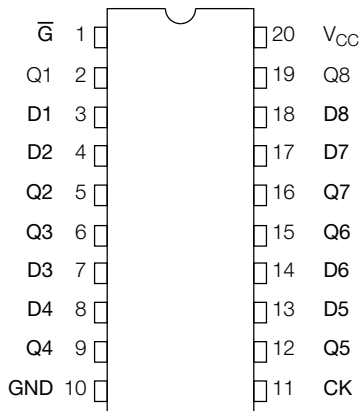


Features:

- **High Speed:** $f_{MAX} = 140\text{MHz}$ (typ.) at $V_{CC} = 5\text{V}$
- **Low Power Dissipation:** $I_{CC} = 8\mu\text{A}$ (max.) at $T_a = 25^\circ\text{C}$
- **High Noise Immunity:** $V_{NIH} = V_{NIL} = 28\% V_{CC}$ (min.)
- **Symmetrical Output Impedance:** $I_{OH} = I_{OL} = 24\text{mA}$ (min.). Capability of driving 50Ω transmission lines.
- **Balanced Propagation Delays:** $t_{pLH} = t_{pHL}$
- **Wide Operating Voltage Range:** V_{CC} (opr.) = $2\text{V}\sim 5.5\text{V}$
- **Pin and Function Compatible with 74F377**
- **Available in DIP, SOIC and SOP Packages**

Pin Assignment



(TOP VIEW)

The TC74AC377 is an advanced high speed CMOS OCTAL D-TYPE FLIP-FLOP fabricated with silicon gate and double-layer metal wiring $C^2\text{MOS}$ technology.

It achieves the high speed operation similar to equivalent Bipolar Schottky TTL, while maintaining the CMOS low power dissipation.

These 8-bit D-type flip-flops are controlled by a clock input (CK) and a output enable input (\overline{G}).

The signal level applied to the D inputs are transferred to Q outputs during the positive going transition of CK.

When the \overline{G} is high, the eight outputs are in a high impedance state.

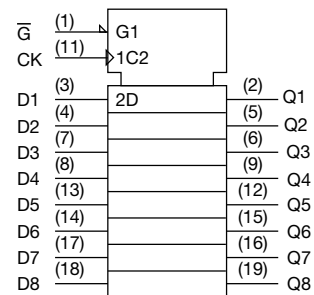
All inputs are equipped with protection circuits against static discharge or transient excess voltage.

Truth Table

INPUTS			OUTPUT
\overline{G}	CLOCK	DATA	Q
H	X	X	NO CHANGE
L		L	L
L		H	H
X		X	NO CHANGE

X: Don't care

IEC Logic Symbol



The information contained here is subject to change without notice.

The information contained herein is presented only as guide for the applications of our products. No responsibility is assumed by TOSHIBA for any infringements of patents or other rights of the third parties which may result from its use. No license is granted by implication or otherwise under any patent or patent rights of TOSHIBA or others. These TOSHIBA products are intended for usage in general electronic equipments (office equipment, communication equipment, measuring equipment, domestic electrification, etc.) Please make sure that you consult with us before you use these TOSHIBA products in equipments which require high quality and/or reliability, and in equipments which could have major impact to the welfare of human life (atomic energy control, spaceship, traffic signal, combustion control, all types of safety devices, etc.). TOSHIBA cannot accept liability to any damage which may occur in case these TOSHIBA products were used in the mentioned equipments without prior consultation with TOSHIBA.

Absolute Maximum Ratings

PARAMETER	SYMBOL	VALUE	UNIT
Supply Voltage Range	V_{CC}	-0.5-7.0	V
DC Input Voltage	V_{IN}	-0.5- $V_{CC} + 0.5$	V
DC Output Voltage	V_{OUT}	-0.5- $V_{CC} + 0.5$	V
Input Diode Current	I_{IK}	± 20	mA
Output Diode Current	I_{OK}	± 50	mA
DC Output Current	I_{OUT}	± 50	mA
DC V_{CC} /Ground Current	I_{CC}	± 200	mA
Power Dissipation	P_D	500 (DIP) */180 (SOP)	mW
Storage Temperature	T_{stg}	-65~150	°C
Lead Temperature 10sec	T_L	300	°C

* 500mW in the range of $T_a = -40^{\circ}\text{C} \sim 65^{\circ}\text{C}$.
From $T_a = 65^{\circ}\text{C}$ to 85°C a derating factor of $-10\text{mW}/^{\circ}\text{C}$ should be applied up to 300mW.

Recommended Operating Conditions

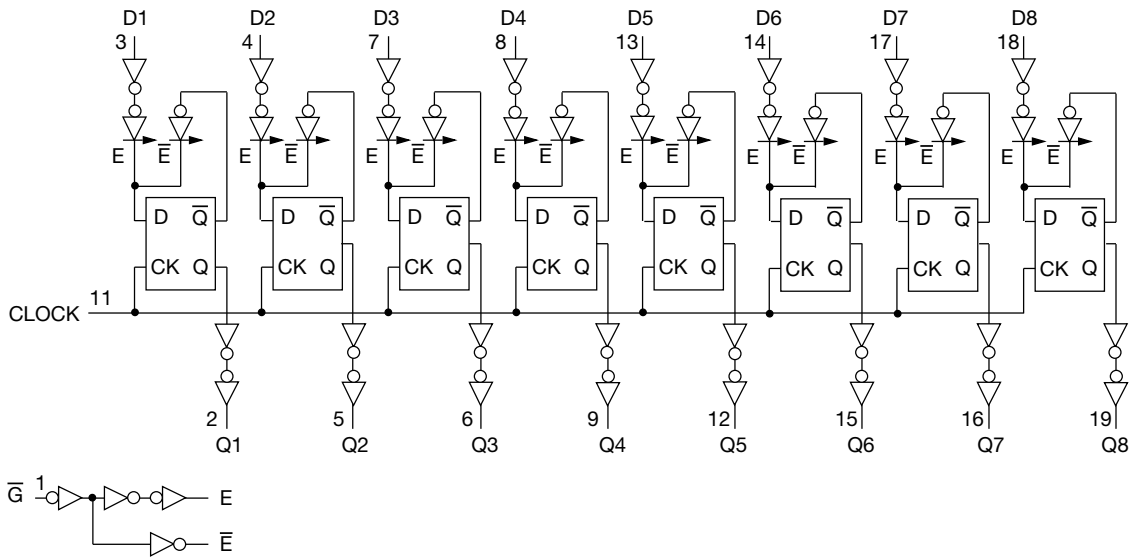
PARAMETER	SYMBOL	VALUE	UNIT
Supply Voltage	V_{CC}	2.0-5.5	V
Input Voltage	V_{IN}	0- V_{CC}	V
Output Voltage	V_{OUT}	0- V_{CC}	V
Operating Temperature	T_{opr}	-40~85	°C
Input Rise and Fall Time	dt/dv	0~100 ($V_{CC} = 3.3 \pm 0.3\text{V}$) 0~20 ($V_{CC} = 5 \pm 0.5\text{V}$)	ns/v

DC Electrical Characteristics

PARAMETER	SYMBOL	TEST CONDITION	$T_a = 25^{\circ}\text{C}$			$T_a = -40 \sim 85^{\circ}\text{C}$		UNIT			
			V_{CC}	Min.	Typ.	Max.	Min.		Max.		
High-Level Input Voltage	V_{IH}	—	2.0	1.50	—	—	1.50	—	V		
			3.0	2.10	—	—	2.10	—			
			5.5	3.85	—	—	3.85	—			
Low-Level Input Voltage	V_{IL}	—	2.0	—	—	0.50	—	0.50	V		
			3.0	—	—	0.90	—	0.90			
			5.5	—	—	1.65	—	1.65			
High-Level Output Voltage	V_{OH}	$V_{IN} = V_{IH}$ or V_{IL}	$I_{OH} = -50\mu\text{A}$	2.0	1.9	2.0	—	1.9	—	V	
				3.0	2.9	3.0	—	2.9	—		
				4.5	4.4	4.5	—	4.4	—		
				$I_{OH} = -4\text{mA}$	3.0	2.58	—	—	2.48		—
				$I_{OH} = -24\text{mA}$	4.5	3.94	—	—	3.80		—
Low-Level Output Voltage	V_{OL}	$V_{IN} = V_{IH}$ or V_{IL}	$I_{OL} = 50\mu\text{A}$	2.0	—	0.0	0.1	—	0.1	V	
				3.0	—	0.0	0.1	—	0.1		
				4.5	—	0.0	0.1	—	0.1		
				$I_{OL} = 12\text{mA}$	3.0	—	—	0.36	—		0.44
				$I_{OL} = 24\text{mA}$	4.5	—	—	0.36	—		0.44
Input Leakage Current	I_{IN}	$V_{IN} = V_{CC}$ or GND	5.5	—	—	± 0.1	—	± 1.0	μA		
										Quiescent Supply Current	I_{CC}

* This spec indicates the capability of driving 50Ω transmission lines.
One output should be tested at a time for a 10ms maximum duration.

System Diagram



Timing Requirements (Input $t_r = t_f = 3n$)

PARAMETER	SYMBOL	TEST CONDITION	Ta=25°C			Ta= -40-85°	UNIT
			V _{CC}	Typ.	Max.	Max.	
Minimum Pulse Width (CK)	$t_{W(L)}$	—	3.3±0.3	—	8.0	8.0	ns
	$t_{W(H)}$	—	5.0±0.5	—	5.0	5.0	
Minimum Set-up Time (D-CK)	$t_{W(L)}$	—	3.3±0.3	—	8.0	8.0	
			5.0±0.5	—	4.0	4.0	
Minimum Set-up Time (\bar{G} -CK)	t_s	—	3.3±0.3	—	9.0	9.0	
			5.0±0.5	—	4.0	4.0	
Minimum Hold Time	t_h	—	3.3±0.3	—	1.0	1.0	
			5.0±0.5	—	1.0	1.0	

AC Electrical Characteristics (C_L = 50pF, R_L = 500Ω, Input $t_r = t_f = 3ns$)

PARAMETER	SYMBOL	TEST CONDITION	Ta = 25°C			Ta = -40-85°C		UNIT	
			V _{CC}	Min.	Typ.	Max.	Min.		Max.
Propagation Delay Time (CK-Q)	t_{pLH}	—	3.0±0.3	—	10.6	17.6	1.0	20.0	ns
	t_{pHL}		5.0±0.5	—	7.4	10.6	1.0	12.0	
Maximum Clock Frequency	f_{MAX}	—	3.0±0.3	50	95	—	50	—	MHz
			5.0±0.5	80	140	—	80	—	
Input Capacitance	C _{IN}	—	—	—	5	10	—	10	pF
Power Dissipation Capacitance	C _{PD} ¹	—	—	—	30	—	—	—	

Note (1): C_{PD} is defined as the value of the internal equivalent capacitance which is calculated from the operating current consumption without load. Average operating current can be obtained by the equation: $I_{CC(oper)} = C_{PD} \cdot V_{CC} \cdot f_{IN} + I_{CC} / 8$ (per F/F). And the total C_{PD} when n pcs. of Flip-Flop operate can be gained by the following equation: $C_{PD}(total) = 20 + 10 \cdot n$.