

TC9200 Series Indoor Camera Mounts

- **Sturdy Construction**
- **Attractive Appearance**
- **Versatile Design**
- **Adjustable**
- **Wide Selection of Styles**
- **Lightweight**



The TC9200 Series Indoor Camera Mounts can be used with CCD cameras with fixed lenses. These sturdy, attractive mounts have fully adjustable mount heads and standard 1/4-20 camera mounting bolts. Maximum load capability ranges from 2 kg (4.4 lb) to 10 kg (22 lb). These versatile models can be used as pedestal, wall, or ceiling mounts and are well suited for use with CCD cameras.

Model TC9200 is an economical 200 mm (8 in) general purpose mount for loads of up to 4 kg (8.8 lb). It has an aluminum finish and an adjustable sleeve ball mounting clamp for camera position adjustments.

A deluxe general purpose mount, the 200 mm (8 in) TC9201 can handle loads of up to 9 kg (20 lb) and has a glossy black finish. It features a lever type ball mounting clamp for quick and easy adjustments of camera position.

The TC9202 model is an extendible wall mount with a range of length from 244 mm to 414 mm (9.6 in to 16.3 in). It can accommodate loads of

up to 10 kg (22 lb) in both the short and the fully extended configurations and features a quick release screw head for ease of camera positioning.

The right angle curve in the support arm of the TC9203 model mount can accommodate many difficult mounting requirements. A universal wall/ceiling mount, this model has a length of 230 mm (9.1 in) and can handle cameras of up to 10 kg (22 lb).

Model TC9205 is an economical 127 mm (5 in) general purpose mount which can handle loads of up to 2 kg (4.4 lb). This mount features an aluminum finish and an adjustable sleeve ball mounting clamp. The two mounting holes in the base flange allow for direct mounting to a standard electrical box (3 1/4 inch centers) and an opening in its hollow shaft permits a direct cable feed to the mounting head from the base to the camera.

The TC9206U indoor mount is configured for mounting 2/3 inch and smaller cameras in indoor applications. It accommodate loads of up to 4.5 kg

(10 lb) and is constructed of aluminum and steel, providing extremely rigid camera mounting. The TC9206U, a 150 mm (6 in) unit, is designed to be used in either a suspended ceiling or solid wall/ceiling mounting location. Supplied with two mounting bases, it can be easily adapted to either configuration.

An economical general purpose mount, the TC9207 model accommodates loads of up to 4 kg (8.8 lb). It utilizes a sleeve ball mounting clamp and comes in an aluminum finish with an off-white base flange.

The LDH 6372/00 indoor mount is an economical wall mount with a minimum length of 63 mm and a maximum length of 191 mm (2.5 in to 7.5 in). Featuring threaded extensions, this unit can be configured to three different lengths and is easily installed with the included mounting hardware. While designed originally for use with the LDH series of CCD cameras, this unit can also be used with many model CCD cameras.

SPECIFICATIONS

TC9200 General Purpose Mount

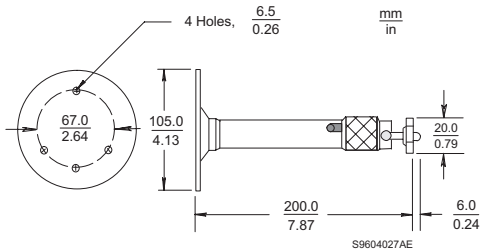
Maximum Load: 4 kg (8.8 lb).

Mounting Head: Adjustable. 360° pan, 90° tilt.

Mounting Bolt: Standard 1/4-20.

Finish: Aluminum.

Weight: 230 g (0.44 lb).



TC9203 Universal Wall/Ceiling Mount

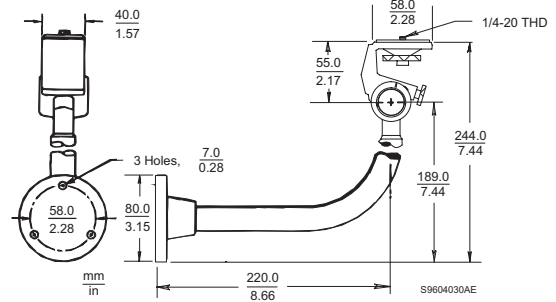
Maximum Load: 10 kg (22 lb).

Mounting Head: Adjustable. 360° pan, 90° tilt.

Mounting Bolt: Standard 1/4-20.

Finish: Aluminum and black.

Weight: 460 g (1.0 lb).



TC9201 Deluxe General Purpose Mount

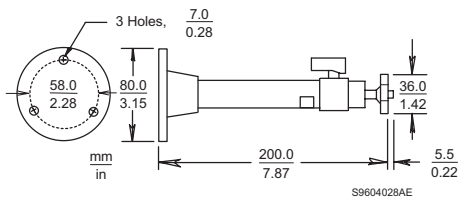
Maximum Load: 9 kg (20 lb).

Mounting Head: Adjustable. 360° pan, 90° tilt.

Mounting Bolt: Standard 1/4-20.

Finish: Gloss black.

Weight: 230 g (0.44 lb).



TC9205

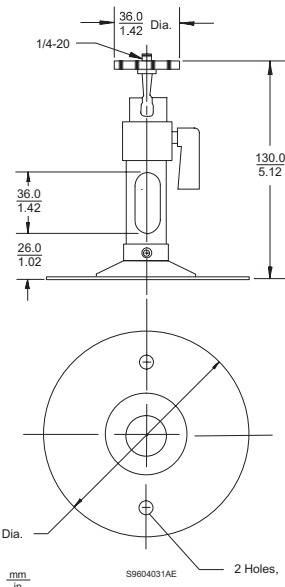
Maximum Load: 2 kg (4.4 lb).

Mounting Head: Adjustable. 360° pan, 90° tilt.

Mounting Bolt: Standard 1/4-20.

Finish: Aluminum.

Weight: 240 g (5.3 lb).



TC9202 Extendible Wall Mount

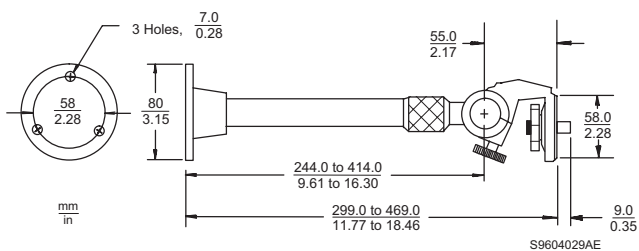
Maximum Load: 10 kg (22 lb).

Mounting Head: Adjustable. 360° pan, 90° tilt.

Mounting Bolt: Standard 1/4-20.

Finish: Aluminum and black.

Weight: 510 g (1.1 lb).



**TC9206U 15-cm (6 in)
Solid Wall/Ceiling Mount**

Maximum Load: 4.5 (10 lb).

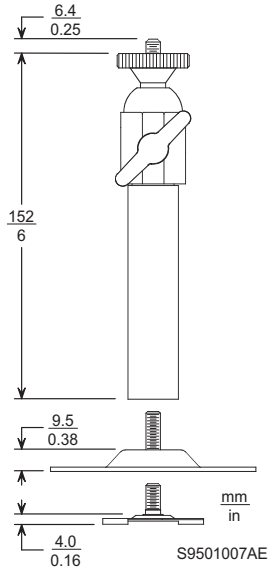
Mounting Head: Adjustable. 360° pan, 180° tilt.

Finish: Off-white semigloss acrylic.

Weight:

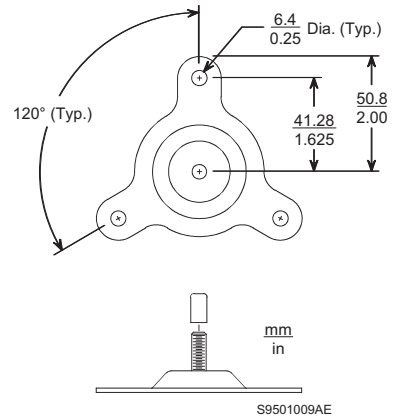
With Wall/Ceiling Flange: 291 g (0.64 lb).

With T-Bar Clip: 245 g (0.54 lb).



Wall/Ceiling Mount Flange

Included with TC9206U Solid Wall/Ceiling Mount.



TC9207

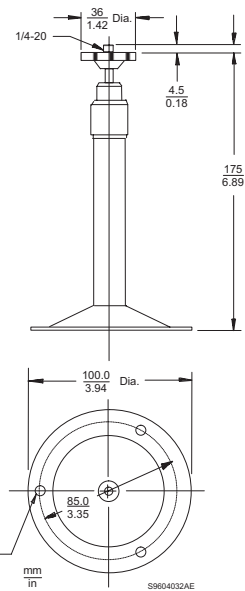
Maximum Load: 4 kg (8.8 lb).

Finish: Aluminum with off-white flange.

Mounting Head: Adjustable. 360° pan, 90° tilt.

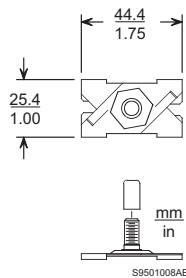
Mounting Bolt: Standard 1/4-20.

Weight: 180 g (4 lb).



T-Bar Ceiling Clip

Included with TC9206 Suspended Ceiling Mount and TC9206U Solid Wall/Ceiling Mount.



LDH 6372/00

Maximum Load: 3 kg (6.6 lb).

Finish: Off-white/grey semigloss polyurethane.

Mounting Head: Adjustable. 360° pan, 90° tilt.

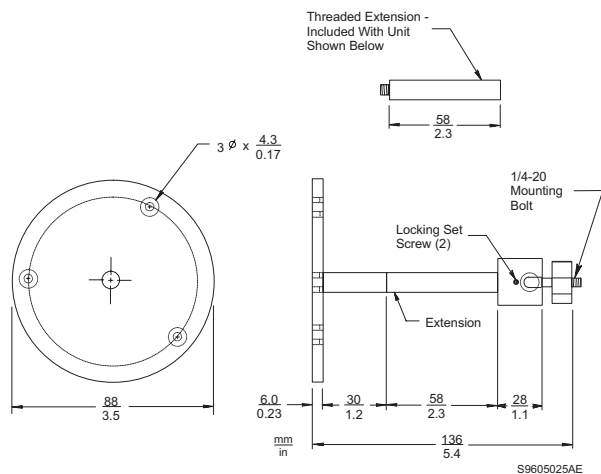
Mounting Bolt: Standard 1/4-20.

Mounting Hardware: Screws and plastic wall anchors.

Weight:

With Extension: 0.43 kg (0.95 lb).

Without Extension: 0.49 kg (1.07 lb).



PHILIPS

Let's make things better.