

ULTRALOW-NOISE, HIGH PSRR, FAST RF 1.5 A LOW-DROPOUT LINEAR REGULATORS

FEATURES

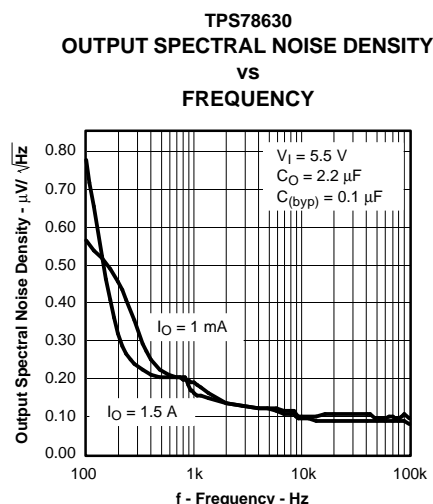
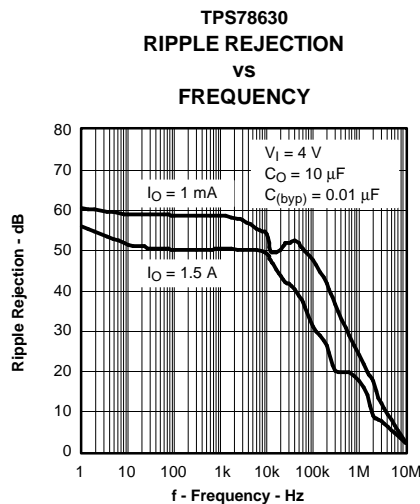
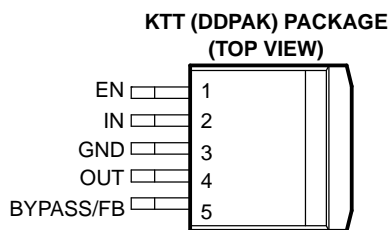
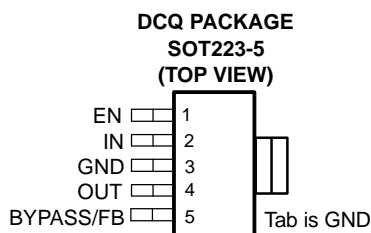
- 1.5 A Low-Dropout Regulator With EN
- Available in 1.8-V, 2.5-V, 2.8-V, 3-V, 3.3-V, and Adjustable
- High PSRR (49 dB at 10 kHz)
- Ultralow Noise (48 μV)
- Fast Start-Up Time (50 μs)
- Stable With a 1- μF Ceramic Capacitor
- Excellent Load/Line Transient
- Very Low Dropout Voltage (390 mV at Full Load, TPS78630)
- 5-Pin SOT223-5 and 5-Pin DDPAK Package

APPLICATIONS

- Powering Noise-Sensitive Circuitry
 - RF
 - Audio
 - VCOs
- DSP/FPGA/Microprocessor Supplies
- Post Regulator for Switching Supplies

DESCRIPTION

The TPS786xx family of low-dropout (LDO) low-power linear voltage regulators features high power supply rejection ratio (PSRR), ultralow noise, fast start-up, and excellent line and load transient responses in small outline, SOT223-5 and 5-pin DDPAK packages. Each device in the family is stable, with a small 1- μF ceramic capacitor on the output. The family uses an advanced, proprietary BiCMOS fabrication process to yield extremely low dropout voltages (e.g., 390 mV at 1.5 A). Each device achieves fast start-up times (approximately 50 μs with a 0.001 μF bypass capacitor) while consuming very low quiescent current (265 μA typical). Moreover, when the device is placed in standby mode, the supply current is reduced to less than 1 μA . The TPS78630 exhibits approximately 48 μV_{RMS} of output voltage noise with a 0.1 μF bypass capacitor. Applications with analog components that are noise sensitive, such as portable RF electronics, benefit from the high PSRR, low noise features, and the fast response time.



Please be aware that an important notice concerning availability, standard warranty, and use in critical applications of Texas Instruments semiconductor products and disclaimers thereto appears at the end of this data sheet.

AVAILABLE OPTIONS

T _J	VOLTAGE	PACKAGE	PART NUMBER ⁽¹⁾	SYMBOL
-40°C to 125°C	1.2 to 5.5 V	SOT223-5	TPS78601DCQ	PS78601
		DDPAK	TPS78601KTT	TPS78601
	1.8 V	SOT223-5	TPS78618DCQ	PS78618
		DDPAK	TPS78618KTT	TPS78618
	2.5 V	SOT223-5	TPS78625DCQ	PS78625
		DDPAK	TPS78625KTT	TPS78625
	2.8 V	SOT223-5	TPS78628DCQ	PS78628
		DDPAK	TPS78628KTT	TPS78628
	3 V	SOT223-5	TPS78630DCQ	PS78630
		DDPAK	TPS78630KTT	TPS78630
	3.3 V	SOT223-5	TPS78633DCQ	PS78633
		DDPAK	TPS78633KTT	TPS78633

(1) Add **R** for DCQ devices in tape and reel (quantity = 2500). Add **T** for KTT devices in 50-piece reel. Add **R** for KTT devices in 500-piece reel.

ABSOLUTE MAXIMUM RATINGS

over operating free-air temperature (unless otherwise noted)^{(1),(2)}

	UNIT
Input voltage range	-0.3 V to 6 V
Voltage range at EN	-0.3 V to V _I + 0.3 V
Voltage on OUT	6 V
Peak output current	Internally limited
ESD rating, HBM	2 kV
ESD rating, CDM	500 V
Continuous total power dissipation	See Dissipation Ratings table
Operating virtual junction temperature range, T _J	-40°C to 150°C
Storage temperature range, T _{stg}	-65°C to 150°C

- (1) Stresses beyond those listed under *absolute maximum ratings* may cause permanent damage to the device. These are stress ratings only, and functional operation of the device at these or any other conditions beyond those indicated under *recommended operating conditions* is not implied. Exposure to absolute-maximum-rated conditions for extended periods may affect device reliability.
- (2) All voltage values are with respect to network ground terminal.

PACKAGE DISSIPATION RATINGS

PACKAGE	BOARD	R _{θJC}	R _{θJA}
DDPAK	High-K ⁽¹⁾	2 °C/W	23 °C/W
SOT223	Low-K ⁽²⁾	15 °C/W	53 °C/W

- (1) The JEDEC high-K (2s2p) board design used to derive this data was a 3-in x 3-in (7,5-cm x 7,5-cm), multilayer board with 1 ounce internal power and ground planes and 2 ounce copper traces on top and bottom of the board.
- (2) The JEDEC low-K (1s) board design used to derive this data was a 3-in x 3-in (7,5-cm x 7,5-cm), two-layer board with 2 ounce copper traces on top of the board.

ELECTRICAL CHARACTERISTICS

 over recommended operating free-air temperature range $EN = V_I$, $T_J = -40$ to 125 °C, $V_I = V_{O(typ)} + 1$ V, $I_O = 1$ mA, $C_O = 10$ μ F, $C_{(byp)} = 0.01$ μ F (unless otherwise noted)

PARAMETER		TEST CONDITIONS		MIN	TYP	MAX	UNIT
V_I	Input voltage ⁽¹⁾			2.7		5.5	V
I_O	Continuous output current I_O ⁽²⁾			0		1.5	A
T_J	Operating junction temperature			-40		125	°C
Output voltage	TPS78601	$T_J = 25$ °C,		V_O			V
		$0 \mu\text{A} < I_O < 1.5$ A ⁽³⁾	$1.22 \text{ V} \leq V_O \leq 5.5 \text{ V}$	$0.98 V_O$	$1.02 V_O$		
	TPS78618	$T_J = 25$ °C		1.8			V
		$0 \mu\text{A} < I_O < 1.5$ A	$2.8 \text{ V} < V_I < 5.5 \text{ V}$	1.764	1.836		
	TPS78625	$T_J = 25$ °C		2.5			V
		$0 \mu\text{A} < I_O < 1.5$ A	$3.5 \text{ V} < V_I < 5.5 \text{ V}$	2.45	2.55		
	TPS78628	$T_J = 25$ °C		2.8			V
		$0 \mu\text{A} < I_O < 1.5$ A	$3.8 \text{ V} < V_I < 5.5 \text{ V}$	2.744	2.856		
	TPS78630	$T_J = 25$ °C		3			V
		$0 \mu\text{A} < I_O < 1.5$ A	$4 \text{ V} < V_I < 5.5 \text{ V}$	2.94	3.06		
	TPS78633	$T_J = 25$ °C		3.3			V
		$0 \mu\text{A} < I_O < 1.5$ A	$4.3 \text{ V} < V_I < 5.5 \text{ V}$	3.234	3.366		
Quiescent current (GND current)		$0 \mu\text{A} < I_O < 1.5$ A	$T_J = 25$ °C	260			μ A
		$0 \mu\text{A} < I_O < 1.5$ A			385		
Load regulation		$0 \mu\text{A} < I_O < 1.5$ A	$T_J = 25$ °C	7			mV
Output voltage line regulation ($\Delta V_O/V_O$) ⁽⁴⁾		$V_O + 1 \text{ V} < V_I \leq 5.5 \text{ V}$	$T_J = 25$ °C	05			%V
		$V_O + 1 \text{ V} < V_I \leq 5.5 \text{ V}$		12			
Output noise voltage (TPS78630)		BW = 100 Hz to 100 kHz, $I_O = 1.5$ A, $T_J = 25$ °C	$C_{(byp)} = 0.001$ μ F	66			μ V _{RMS}
			$C_{(byp)} = 0.0047$ μ F	51			
			$C_{(byp)} = 0.01$ μ F	49			
			$C_{(byp)} = 0.1$ μ F	48			
Time, start-up (TPS78630)		$R_L = 2$ Ω , $C_O = 1$ μ F, $T_J = 25$ °C	$C_{(byp)} = 0.001$ μ F	50			μ s
			$C_{(byp)} = 0.0047$ μ F	75			
			$C_{(byp)} = 0.01$ μ F	110			
Output current limit		$V_O = 0$ V ⁽³⁾		2.4		3.5	A
Standby current		$EN = 0$ V, $2.7 \text{ V} < V_I < 5.5 \text{ V}$		0.07		1	μ A
High level enable input voltage		$2.7 \text{ V} < V_I < 5.5 \text{ V}$		2			V
Low level enable input voltage		$2.7 \text{ V} < V_I < 5.5 \text{ V}$				0.7	V
Input current (EN)		$EN = 0$		-1		1	μ A
Input current (FB)		$FB = 1.8$ V				1	μ A
Power supply ripple rejection	TPS78630	$f = 100$ Hz, $T_J = 25$ °C, $I_O = 10$ mA		59			dB
		$f = 100$ Hz, $T_J = 25$ °C, $I_O = 1.5$ A		52			
		$f = 10$ kHz, $T_J = 25$ °C, $I_O = 1.5$ A		49			
		$f = 100$ kHz, $T_J = 25$ °C, $I_O = 1.5$ A		32			

 (1) To calculate the minimum input voltage for your maximum output current, use the following formula: $V_I(\text{min}) = V_O(\text{max}) + V_{DO}(\text{max load})$

(2) Continuous output current and operating junction temperature are limited by internal protection circuitry, but it is not recommended that the device operate under conditions beyond those specified in this table for extended periods of time.

 (3) The minimum V_{IN} operating voltage is 2.7 V or $V_{O(typ)} + 1$ V, whichever is greater. The maximum V_{IN} voltage is 5.5 V. The maximum continuous output current is 1.5 A.

 (4) If $V_O \leq 2.5$ V then $V_{Imin} = 2.7$ V, $V_{Imax} = 5.5$ V:

$$\text{Linereg. (mV)} = (\%/V) \frac{V_O(V_{Imax} - 2.7V)}{100} \times 1000$$

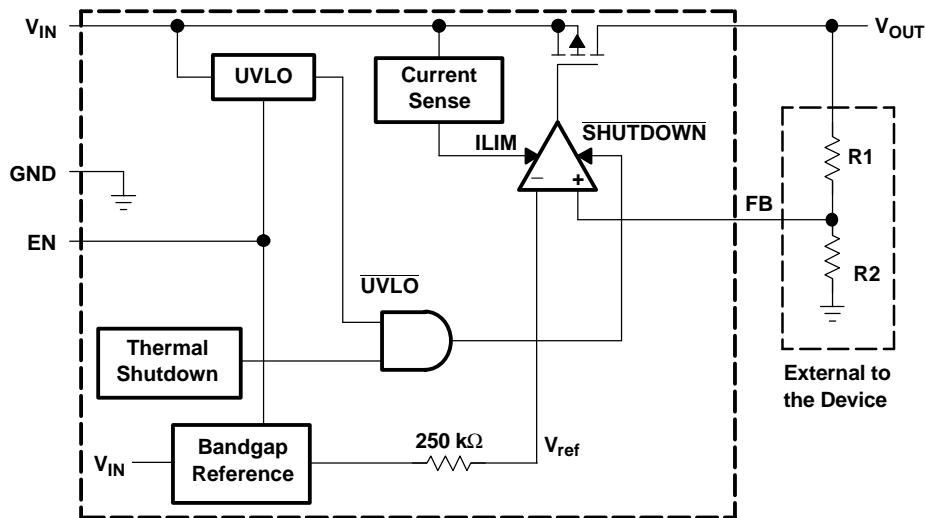
ELECTRICAL CHARACTERISTICS (continued)

over recommended operating free-air temperature range $EN = V_I$, $T_J = -40$ to 125 °C, $V_I = V_{O(typ)} + 1$ V, $I_O = 1$ mA, $C_O = 10$ μ F, $C_{(byp)} = 0.01$ μ F (unless otherwise noted)

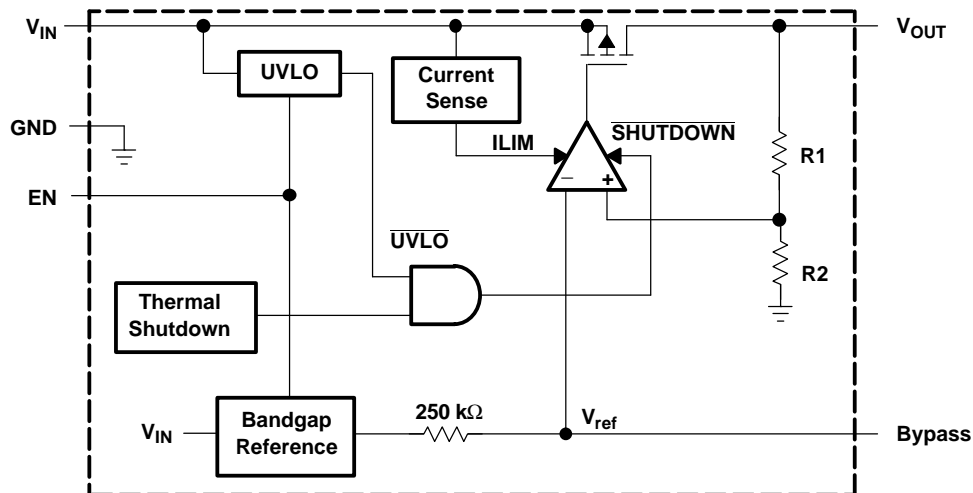
PARAMETER		TEST CONDITIONS	MIN	TYP	MAX	UNIT
Dropout voltage ⁽⁵⁾	TPS78628	$I_O = 1.5$ A, $T_J = 25$ °C		410		mV
		$I_O = 1.5$ A			580	
	TPS78630	$I_O = 1.5$ A, $T_J = 25$ °C		390		
		$I_O = 1.5$ A			550	
	TPS78633	$I_O = 1.5$ A, $T_J = 25$ °C		340		
		$I_O = 1.5$ A			510	

(5) V_{IN} voltage equals $V_O(typ) - 100$ mV; The TPS78625 and TPS78618 dropout voltage is limited by the input voltage range limitations.

FUNCTIONAL BLOCK DIAGRAM—TPS78633 - ADJUSTABLE VERSION



FUNCTIONAL BLOCK DIAGRAM—FIXED VERSION



Terminal Functions

TERMINAL			I/O	DESCRIPTION
NAME	ADJ	FIXED		
BYPASS	NA	5		An external bypass capacitor, connected to this terminal, in conjunction with an internal resistor, creates a low-pass filter to further reduce regulator noise.
EN	1	1	I	The EN terminal is an input which enables or shuts down the device. When EN goes to a logic high, the device will be enabled. When the device goes to a logic low, the device is in shutdown mode.
FB	5	N/A	I	This terminal is the feedback input voltage for the adjustable device.
GND	3	3		Regulator ground
V _{IN}	2	2	I	The V _{IN} terminal is the input to the device.
V _{OUT}	4	4	O	The V _{OUT} terminal is the regulated output of the device.

TYPICAL CHARACTERISTICS

TPS78630
 OUTPUT VOLTAGE
 VS
 OUTPUT CURRENT

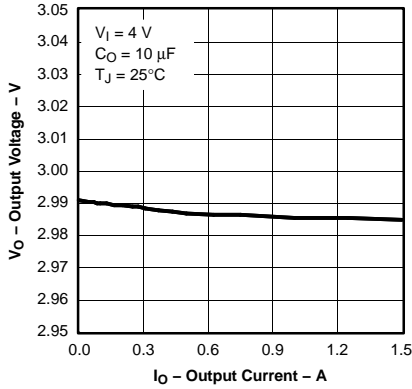


Figure 1.

TPS78628
 OUTPUT VOLTAGE
 VS
 JUNCTION TEMPERATURE

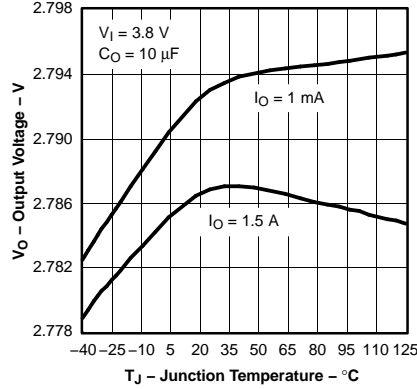


Figure 2.

TPS78628
 GROUND CURRENT
 VS
 JUNCTION TEMPERATURE

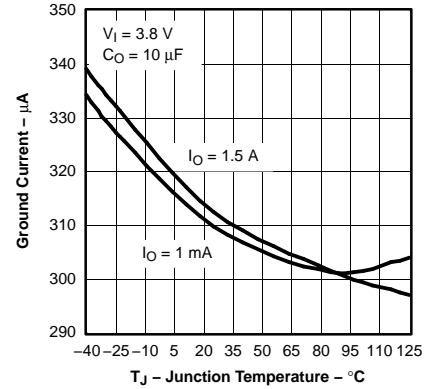


Figure 3.

TPS78630
 OUTPUT SPECTRAL NOISE DENSITY
 VS
 FREQUENCY

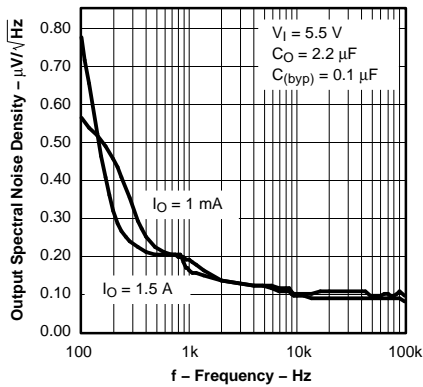


Figure 4.

TPS78630
 OUTPUT SPECTRAL NOISE DENSITY
 VS
 FREQUENCY

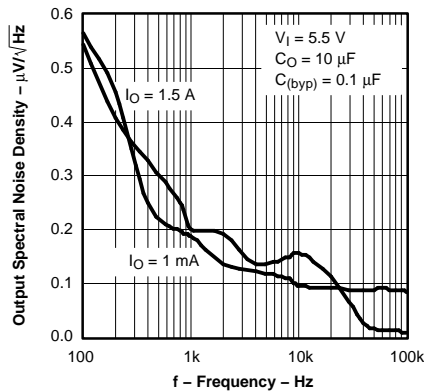


Figure 5.

TPS78630
 OUTPUT SPECTRAL NOISE DENSITY
 VS
 FREQUENCY

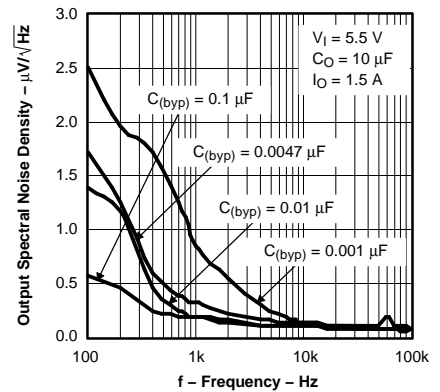


Figure 6.

TYPICAL CHARACTERISTICS (continued)

TPS78630
ROOT MEAN SQUARED OUTPUT NOISE
VS
BYPASS CAPACITANCE

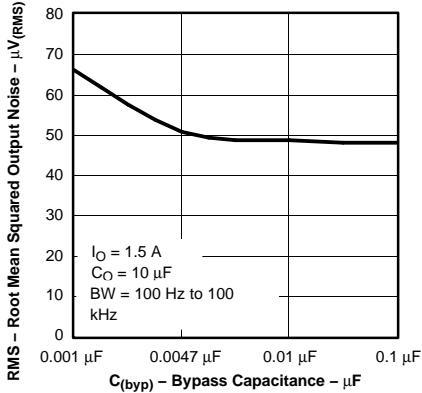


Figure 7.

TPS78628
DROPOUT VOLTAGE
VS
JUNCTION TEMPERATURE

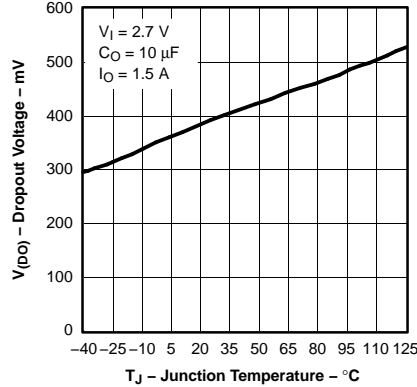


Figure 8.

TPS78630
RIPPLE REJECTION
VS
FREQUENCY

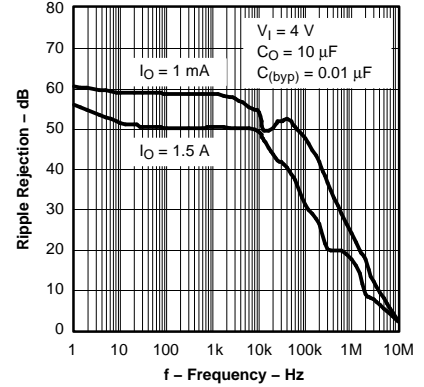


Figure 9.

TPS78630
RIPPLE REJECTION
VS
FREQUENCY

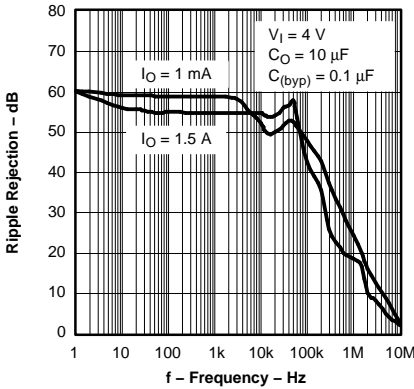


Figure 10.

TPS78630
RIPPLE REJECTION
VS
FREQUENCY

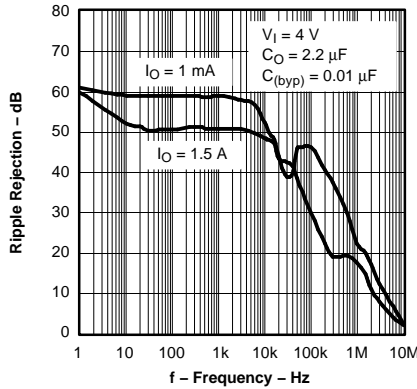


Figure 11.

TPS78630
RIPPLE REJECTION
VS
FREQUENCY

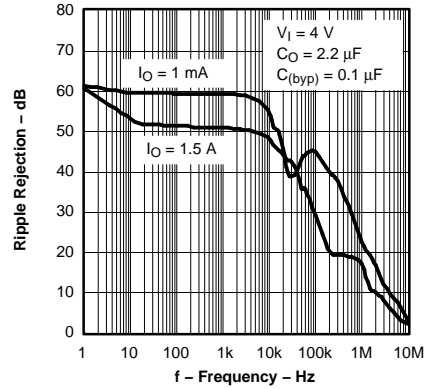


Figure 12.

TPS78618
LINE TRANSIENT RESPONSE

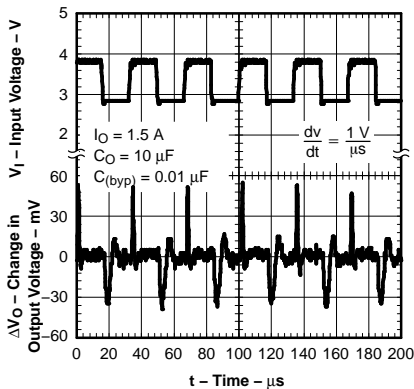


Figure 13.

TPS78630
LINE TRANSIENT RESPONSE

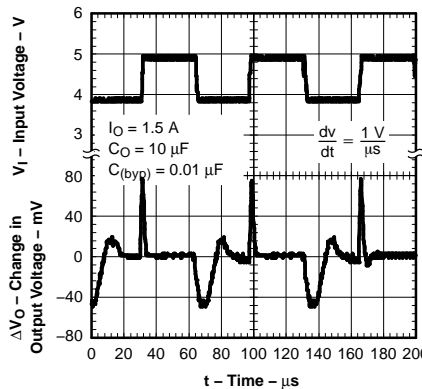


Figure 14.

TPS78628
LOAD TRANSIENT RESPONSE

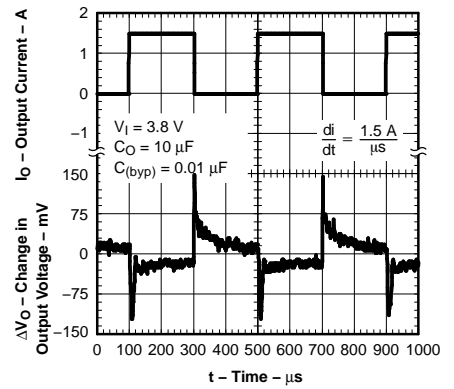


Figure 15.

TYPICAL CHARACTERISTICS (continued)

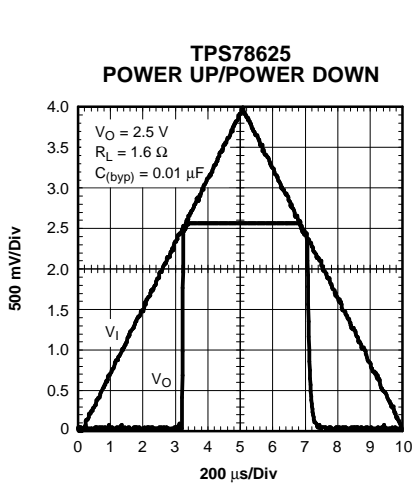


Figure 16.

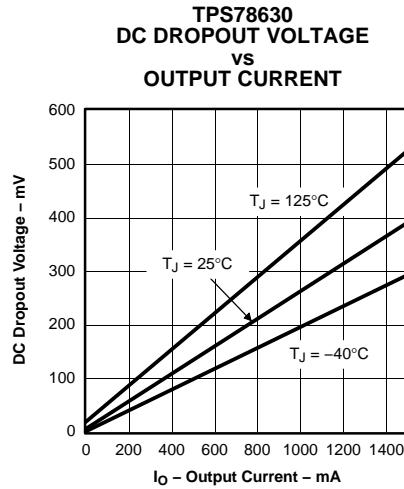


Figure 17.

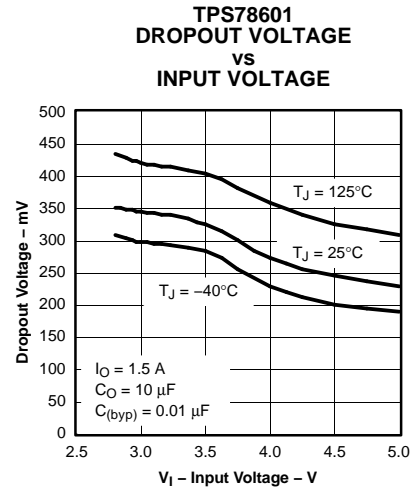


Figure 18.

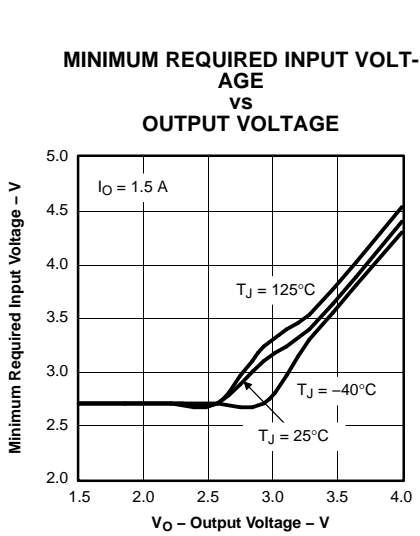


Figure 19.

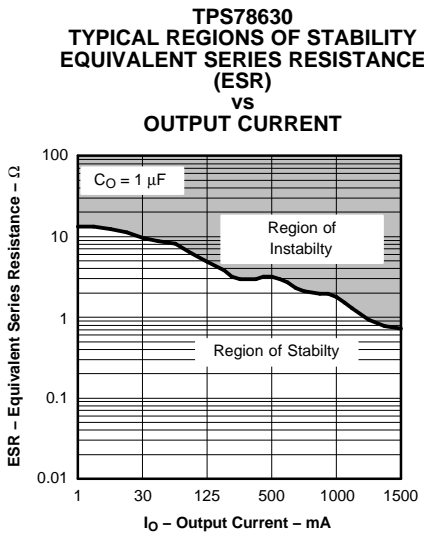


Figure 20.

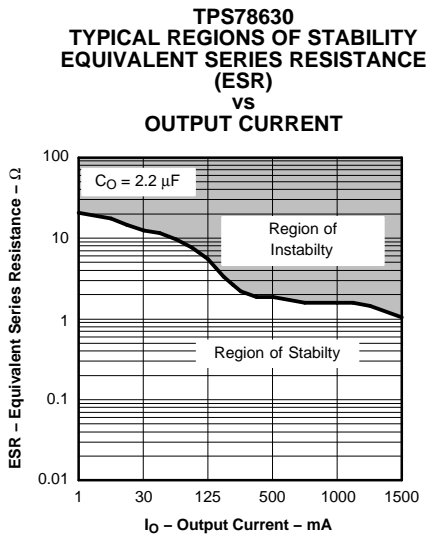


Figure 21.

TYPICAL CHARACTERISTICS (continued)

TPS78630
TYPICAL REGIONS OF STABILITY
EQUIVALENT SERIES RESISTANCE
(ESR)

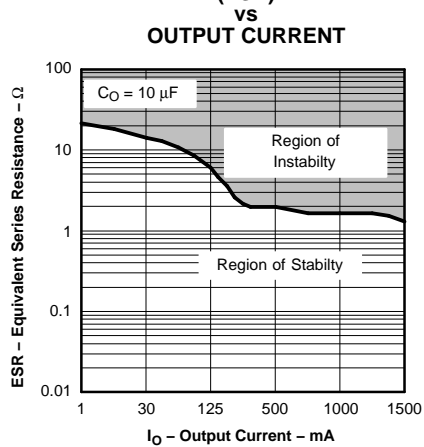


Figure 22.

START-UP

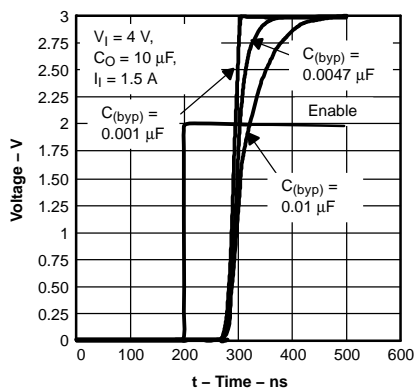


Figure 23.

APPLICATION INFORMATION

The TPS786xx family of low-dropout (LDO) regulators has been optimized for use in noise-sensitive battery-operated equipment. The device features extremely low dropout voltages, high PSRR, ultralow output noise, low quiescent current (265 μA typically), and enable input to reduce supply currents to less than 1 μA when the regulator is turned off.

A typical application circuit is shown in Figure 24.

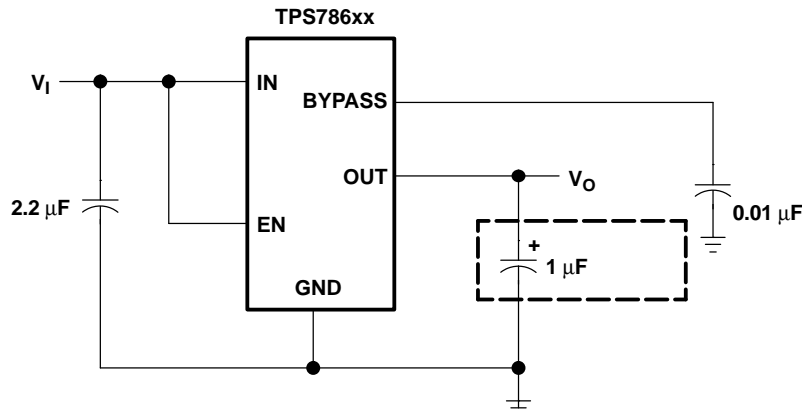


Figure 24. Typical Application Circuit

External Capacitor Requirements

A 2.2- μF or larger ceramic input bypass capacitor, connected between IN and GND and located close to the TPS786xx, is required for stability and improves transient response, noise rejection, and ripple rejection. A higher-value electrolytic input capacitor may be necessary if large, fast-rise-time load transients are anticipated and the device is located several inches from the power source.

Like all low dropout regulators, the TPS786xx requires an output capacitor connected between OUT and GND to stabilize the internal control loop. The minimum recommended capacitance is 1 μF . Any 1 μF or larger ceramic capacitor is suitable.

The internal voltage reference is a key source of noise in an LDO regulator. The TPS786xx has a BYPASS pin which is connected to the voltage reference through a 250-k Ω internal resistor. The 250-k Ω internal resistor, in conjunction with an external bypass capacitor connected to the BYPASS pin, creates a low pass filter to reduce the voltage reference noise and, therefore, the noise at the regulator output. In order for the regulator to operate properly, the current flow out of the BYPASS pin must be at a minimum, because any leakage current creates an IR drop across the internal resistor, thus creating an output error. Therefore, the bypass capacitor must have minimal leakage current.

For example, the TPS78630 exhibits only 48 μV_{RMS} of output voltage noise using a 0.1- μF ceramic bypass capacitor and a 10- μF ceramic output capacitor. Note that the output starts up slower as the bypass capacitance increases due to the RC time constant at the bypass pin that is created by the internal 250-k Ω resistor and external capacitor.

Board Layout Recommendation to Improve PSRR and Noise Performance

To improve ac measurements like PSRR, output noise, and transient response, it is recommended that the board be designed with separate ground planes for V_{IN} and V_{OUT} , with each ground plane connected only at the ground pin of the device. In addition, the ground connection for the bypass capacitor should connect directly to the ground pin of the device.

Regulator Mounting

The tab of the SOT223-5 package is electrically connected to ground. For best thermal performance, the tab of the surface-mount version should be soldered directly to a circuit-board copper area. Increasing the copper area improves heat dissipation.

APPLICATION INFORMATION (continued)

Although the tab of the SOT223-5 is electrically grounded, it is not intended to carry any current. The copper pad that acts as a heat sink should be isolated from the rest of the circuit to prevent current flow through the device from the tab to the ground pin. Solder pad footprint recommendations for the devices are presented in an application bulletin *Solder Pad Recommendations for Surface-Mount Devices*, literature number AB-132, available from the TI web site (www.ti.com).

Programming the TPS78601 Adjustable LDO Regulator

The output voltage of the TPS78601 adjustable regulator is programmed using an external resistor divider as shown in Figure 29. The output voltage is calculated using:

$$V_O = V_{\text{ref}} \times \left(1 + \frac{R_1}{R_2}\right)$$

where

$$V_{\text{ref}} = 1.2246 \text{ V typ (the internal reference voltage)} \quad (1)$$

Resistors R1 and R2 should be chosen for approximately 40- μ A divider current. Lower value resistors can be used for improved noise performance, but the device wastes more power. Higher values should be avoided, as leakage current at FB increases the output voltage error. The recommended design procedure is to choose R2 = 30.1 k Ω to set the divider current at 40 μ A, C1 = 15 pF for stability, and then calculate R1 using:

$$R_1 = \left(\frac{V_O}{V_{\text{ref}}} - 1\right) \times R_2 \quad (2)$$

In order to improve the stability of the adjustable version, it is suggested that a small compensation capacitor be placed between OUT and FB. The approximate value of this capacitor can be calculated as:

$$C_1 = \frac{(3 \times 10^{-7}) \times (R_1 + R_2)}{(R_1 \times R_2)} \quad (3)$$

The suggested value of this capacitor for several resistor ratios is shown in the table below. If this capacitor is not used (such as in a unity-gain configuration) then the minimum recommended output capacitor is 2.2 μ F instead of 1 μ F.

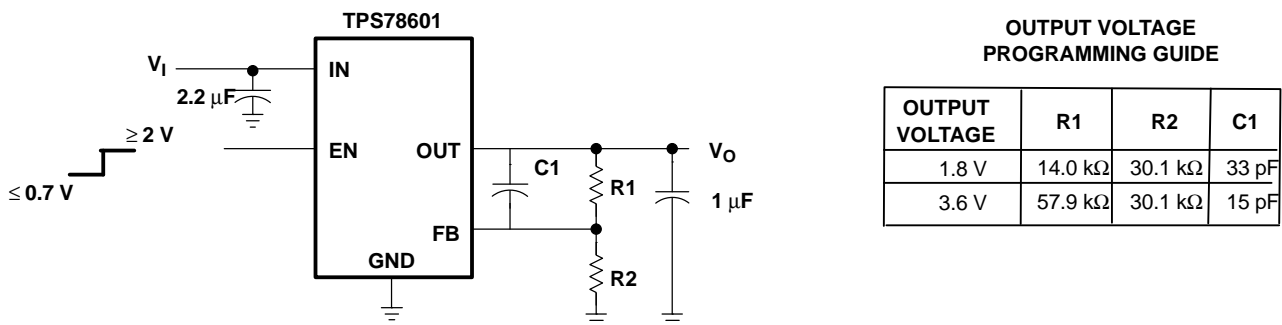


Figure 25. TPS78601 Adjustable LDO Regulator Programming

Regulator Protection

The TPS786xx PMOS-pass transistor has a built-in back diode that conducts reverse current when the input voltage drops below the output voltage (e.g., during power down). Current is conducted from the output to the input and is not internally limited. If extended reverse voltage operation is anticipated, external limiting might be appropriate.

APPLICATION INFORMATION (continued)

The TPS786xx features internal current limiting and thermal protection. During normal operation, the TPS786xx limits output current to approximately 2.8 A. When current limiting engages, the output voltage scales back linearly until the overcurrent condition ends. While current limiting is designed to prevent gross device failure, care should be taken not to exceed the power dissipation ratings of the package. If the temperature of the device exceeds approximately 165°C, thermal-protection circuitry shuts it down. Once the device has cooled down to below approximately 140°C, regulator operation resumes.

THERMAL INFORMATION

The amount of heat that an LDO linear regulator generates is directly proportional to the amount of power it dissipates during operation. All integrated circuits have a maximum allowable junction temperature ($T_{J,max}$) above which normal operation is not assured. A system designer must design the operating environment so that the operating junction temperature (T_J) does not exceed the maximum junction temperature ($T_{J,max}$). The two main environmental variables that a designer can use to improve thermal performance are air flow and external heatsinks. The purpose of this information is to aid the designer in determining the proper operating environment for a linear regulator that is operating at a specific power level.

In general, the maximum expected power ($P_{D(max)}$) consumed by a linear regulator is computed as:

$$P_{D,max} = (V_{I(avg)} - V_{O(avg)}) \times I_{O(avg)} + V_{I(avg)} \times I_{(Q)} \quad (4)$$

where:

- $V_{I(avg)}$ is the average input voltage.
- $V_{O(avg)}$ is the average output voltage.
- $I_{O(avg)}$ is the average output current.
- $I_{(Q)}$ is the quiescent current.

For most TI LDO regulators, the quiescent current is insignificant compared to the average output current; therefore, the term $V_{I(avg)} \times I_{(Q)}$ can be neglected. The operating junction temperature is computed by adding the ambient temperature (T_A) and the increase in temperature due to the regulator's power dissipation. The temperature rise is computed by multiplying the maximum expected power dissipation by the sum of the thermal resistances between the junction and the case ($R_{\theta JC}$), the case to heatsink ($R_{\theta CS}$), and the heatsink to ambient ($R_{\theta SA}$). Thermal resistances are measures of how effectively an object dissipates heat. Typically, the larger the device, the more surface area available for power dissipation and the lower the object's thermal resistance.

Figure 26 illustrates these thermal resistances for (a) a SOT223 package mounted in a JEDEC low-K board, and (b) a DDPAK package mounted on a JEDEC high-K board.

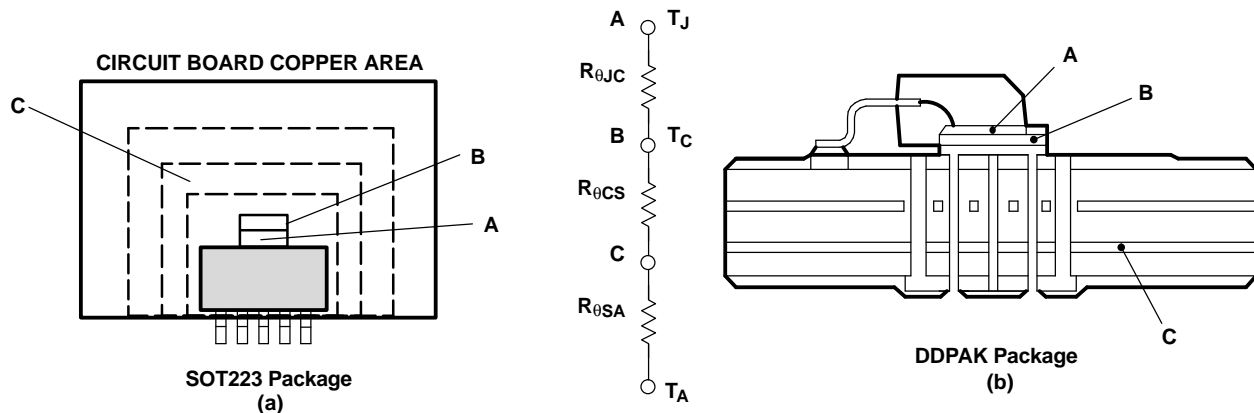


Figure 26. Thermal Resistances

THERMAL INFORMATION (continued)

Equation 5 summarizes the computation:

$$T_J = T_A + P_{Dmax} \times (R_{\theta JC} + R_{\theta CS} + R_{\theta SA}) \quad (5)$$

The $R_{\theta JC}$ is specific to each regulator as determined by its package, lead frame, and die size provided in the regulator's data sheet. The $R_{\theta SA}$ is a function of the type and size of heatsink. For example, *black body radiator* type heatsinks can have $R_{\theta CS}$ values ranging from 5°C/W for very large heatsinks to 50°C/W for very small heatsinks. The $R_{\theta CS}$ is a function of how the package is attached to the heatsink. For example, if a thermal compound is used to attach a heatsink to a SOT223 package, $R_{\theta CS}$ of 1°C/W is reasonable.

Even if no external *black body radiator* type heatsink is attached to the package, the board on which the regulator is mounted provides some heatsinking through the pin solder connections. Some packages, like the DDPAK and SOT223 packages, use a copper plane underneath the package or the circuit board's ground plane for additional heatsinking to improve their thermal performance. Computer aided thermal modeling can be used to compute very accurate approximations of an integrated circuit's thermal performance in different operating environments (e.g., different types of circuit boards, different types and sizes of heatsinks, and different air flows, etc.). Using these models, the three thermal resistances can be combined into one thermal resistance between junction and ambient ($R_{\theta JA}$). This $R_{\theta JA}$ is valid only for the specific operating environment used in the computer model.

Equation 5 simplifies into Equation 6:

$$T_J = T_A + P_{Dmax} \times R_{\theta JA} \quad (6)$$

Rearranging Equation 6 gives Equation 7:

$$R_{\theta JA} = \frac{T_J - T_A}{P_{Dmax}} \quad (7)$$

Using Equation 6 and the computer model generated curves shown in Figure 27 and Figure 30, a designer can quickly compute the required heatsink thermal resistance/board area for a given ambient temperature, power dissipation, and operating environment.

DDPAK Power Dissipation

The DDPAK package provides an effective means of managing power dissipation in surface mount applications. The DDPAK package dimensions are provided in the *Mechanical Data* section at the end of the data sheet. The addition of a copper plane directly underneath the DDPAK package enhances the thermal performance of the package.

To illustrate, the TPS78625 in a DDPAK package was chosen. For this example, the average input voltage is 5 V, the output voltage is 2.5 V, the average output current is 1 A, the ambient temperature 55°C, the air flow is 150 LFM, and the operating environment is the same as documented below. Neglecting the quiescent current, the maximum average power is:

$$P_{Dmax} = (5 - 2.5) V \times 1 A = 2.5 W \quad (8)$$

Substituting T_{Jmax} for T_J into Equation 6 gives Equation 9:

$$R_{\theta JAmax} = (125 - 55)^\circ C / 2.5 W = 28^\circ C/W \quad (9)$$

From Figure 27, DDPAK Thermal Resistance vs Copper Heatsink Area, the ground plane needs to be 1 cm² for the part to dissipate 2.5 W. The operating environment used in the computer model to construct Figure 27 consisted of a standard JEDEC High-K board (2S2P) with a 1 oz. internal copper plane and ground plane. The package is soldered to a 2 oz. copper pad. The pad is tied through thermal vias to the 1 oz. ground plane. Figure 28 shows the side view of the operating environment used in the computer model.

THERMAL INFORMATION (continued)

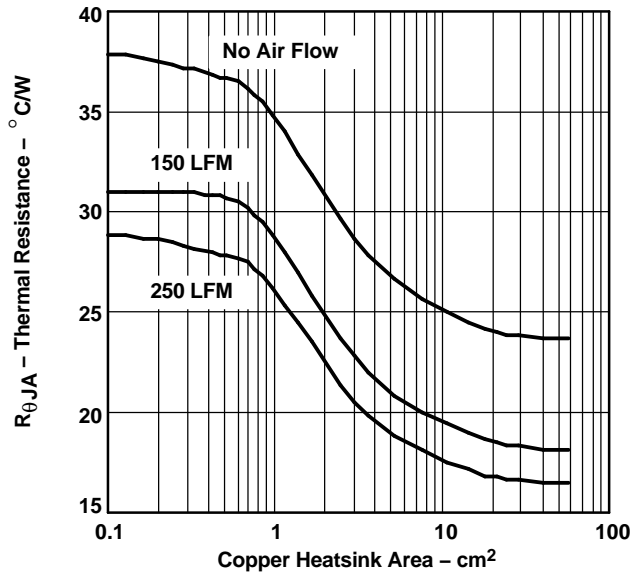


Figure 27. DDPAK Thermal Resistance vs Copper Heatsink Area

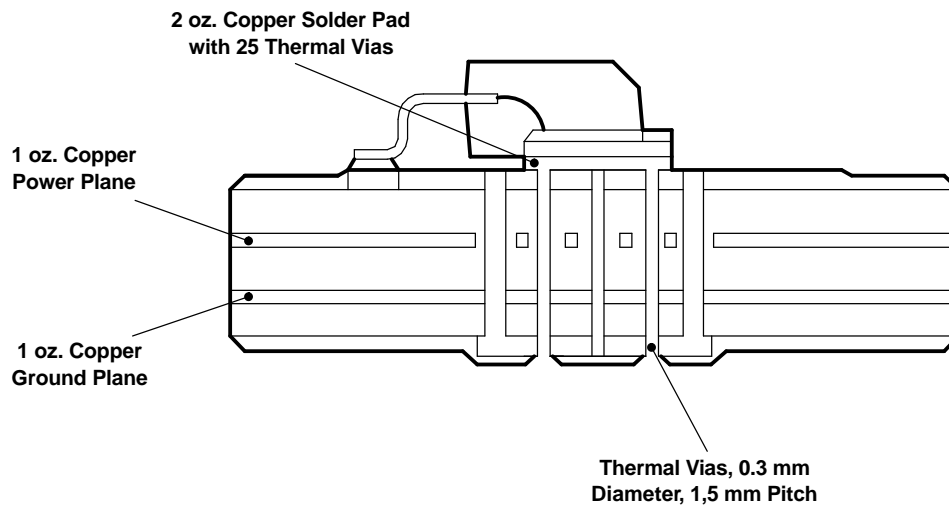


Figure 28. DDPAK Thermal Resistance

From the data in Figure 29 and rearranging Equation 6, the maximum power dissipation for a different ground plane area and a specific ambient temperature can be computed.

THERMAL INFORMATION (continued)

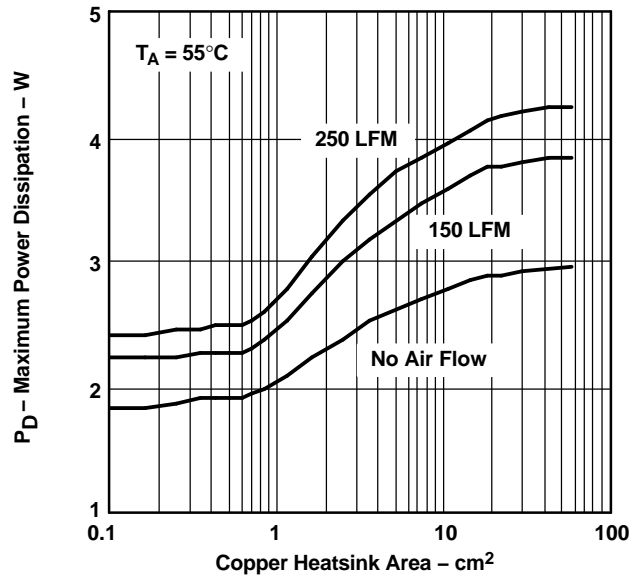


Figure 29. Maximum Power Dissipation vs Copper Heatsink Area

SOT223 Power Dissipation

The SOT223 package provides an effective means of managing power dissipation in surface mount applications. The SOT223 package dimensions are provided in the *Mechanical Data* section at the end of the data sheet. The addition of a copper plane directly underneath the SOT223 package enhances the thermal performance of the package.

To illustrate, the TPS78625 in a SOT223 package was chosen. For this example, the average input voltage is 3.3 V, the output voltage is 2.5 V, the average output current is 1 A, the ambient temperature 55°C, no air flow is present, and the operating environment is the same as documented below. Neglecting the quiescent current, the maximum average power is:

$$P_{Dmax} = (3.3 - 2.5) V \times 1 A = 800 \text{ mW} \tag{10}$$

Substituting T_{Jmax} for T_J into Equation 6 gives Equation 11:

$$R_{\theta JA} \text{ max} = (125 - 55)^\circ\text{C} / 800 \text{ mW} = 87.5^\circ\text{C/W} \tag{11}$$

From Figure 30, $R_{\theta JA}$ vs PCB Copper Area, the ground plane needs to be 0.55 in² for the part to dissipate 800 mW. The operating environment used to construct Figure 30 consisted of a board with 1 oz. copper planes. The package is soldered to a 1 oz. copper pad on the top of the board. The pad is tied through thermal vias to the 1 oz. ground plane.

THERMAL INFORMATION (continued)

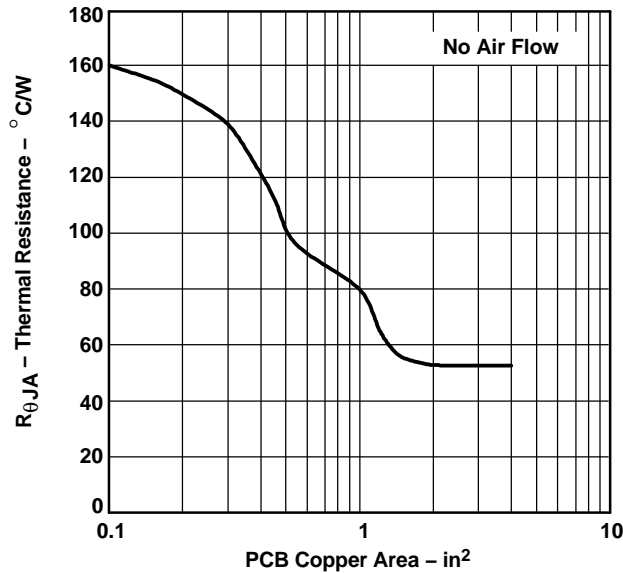


Figure 30. SOT223 Thermal Resistance vs PCB AREA

From the data in Figure 30 and rearranging Equation 6, the maximum power dissipation for a different ground plane area and a specific ambient temperature can be computed (see Figure 31).

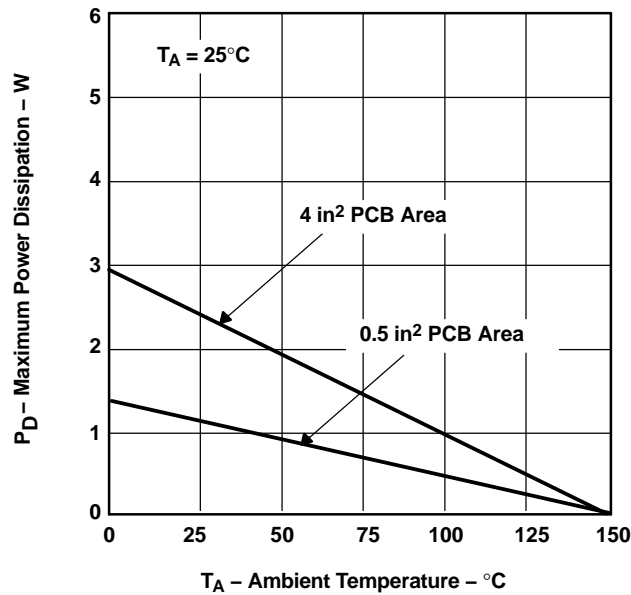


Figure 31. SOT223 Power Dissipation

PACKAGING INFORMATION

ORDERABLE DEVICE	STATUS(1)	PACKAGE TYPE	PACKAGE DRAWING	PINS	PACKAGE QTY
TPS78601DCQ	ACTIVE	SOP	DCQ	6	49
TPS78601DCQR	ACTIVE	SOP	DCQ	6	2500
TPS78601KTT	OBSOLETE	PFM	KTT	5	
TPS78601KTTR	ACTIVE	PFM	KTT	5	500
TPS78601KTTT	ACTIVE	PFM	KTT	5	50
TPS78618DCQ	ACTIVE	SOP	DCQ	6	78
TPS78618DCQR	ACTIVE	SOP	DCQ	6	2500
TPS78618KTT	OBSOLETE	PFM	KTT	5	
TPS78618KTTR	ACTIVE	PFM	KTT	5	500
TPS78618KTTT	ACTIVE	PFM	KTT	5	50
TPS78625DCQ	ACTIVE	SOP	DCQ	6	78
TPS78625DCQR	ACTIVE	SOP	DCQ	6	2500
TPS78625KTT	OBSOLETE	PFM	KTT	5	
TPS78625KTTR	ACTIVE	PFM	KTT	5	500
TPS78625KTTT	ACTIVE	PFM	KTT	5	50
TPS78628DCQ	ACTIVE	SOP	DCQ	6	78
TPS78628DCQR	ACTIVE	SOP	DCQ	6	2500
TPS78628KTT	OBSOLETE	PFM	KTT	5	
TPS78628KTTR	ACTIVE	PFM	KTT	5	500
TPS78628KTTT	ACTIVE	PFM	KTT	5	50
TPS78630DCQ	ACTIVE	SOP	DCQ	6	78
TPS78630DCQR	ACTIVE	SOP	DCQ	6	2500
TPS78630KTT	OBSOLETE	PFM	KTT	5	
TPS78630KTTR	ACTIVE	PFM	KTT	5	500
TPS78630KTTT	ACTIVE	PFM	KTT	5	50
TPS78633DCQ	ACTIVE	SOP	DCQ	6	78
TPS78633DCQR	ACTIVE	SOP	DCQ	6	2500
TPS78633KTT	OBSOLETE	PFM	KTT	5	
TPS78633KTTR	ACTIVE	PFM	KTT	5	500
TPS78633KTTT	ACTIVE	PFM	KTT	5	50

(1) The marketing status values are defined as follows:

ACTIVE: Product device recommended for new designs.

LIFEBUY: TI has announced that the device will be discontinued, and a lifetime-buy period is in effect.

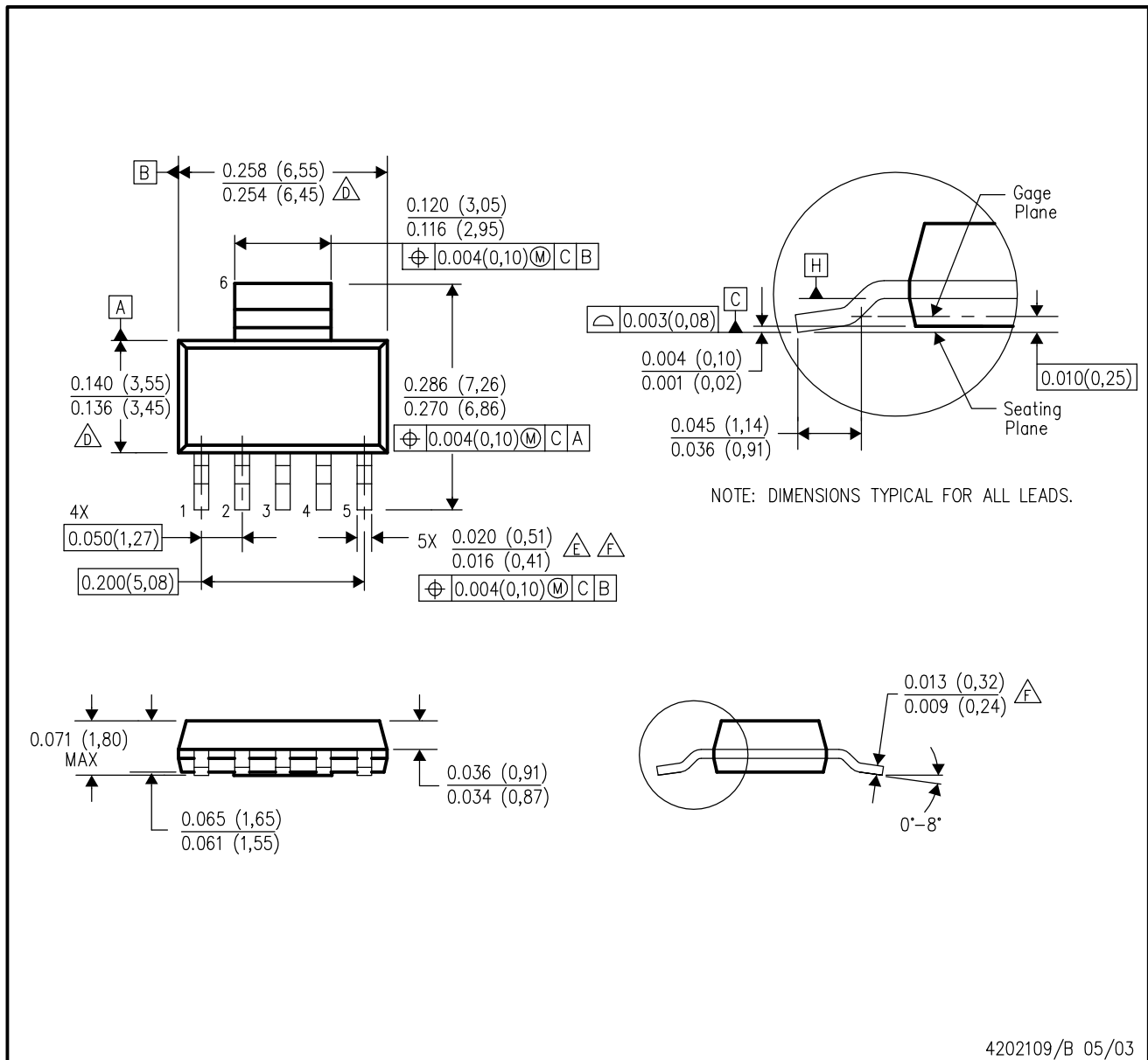
NRND: Not recommended for new designs. Device is in production to support existing customers, but TI does not recommend using this part in a new design.

PREVIEW: Device has been announced but is not in production. Samples may or may not be available.

OBSOLETE: TI has discontinued the production of the device.

DCQ (R-PDSO-G6)

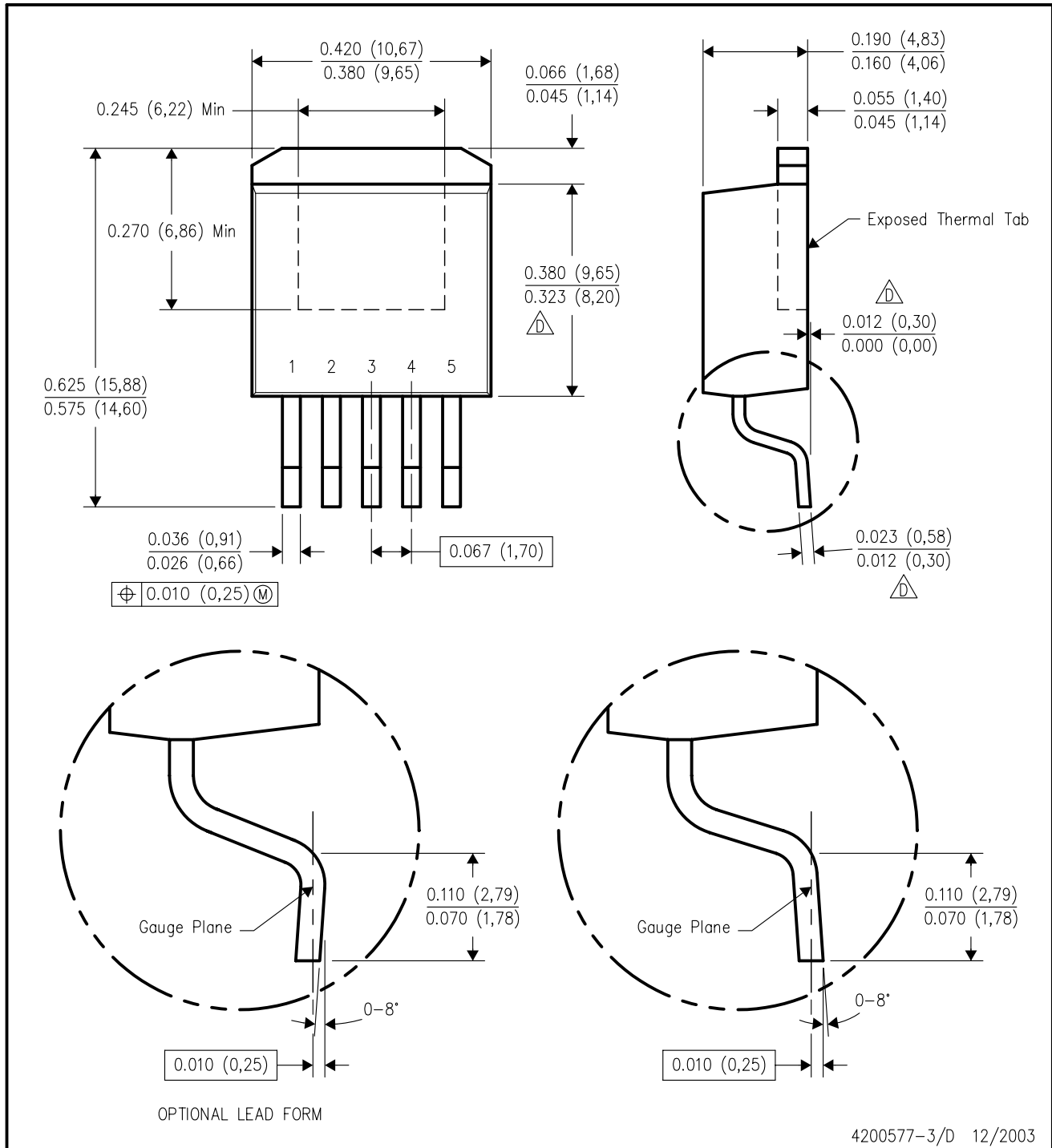
PLASTIC SMALL-OUTLINE



- NOTES:
- A. All linear dimensions are in inches (millimeters).
 - B. This drawing is subject to change without notice.
 - C. Controlling dimension in inches.
 - \triangle Body length and width dimensions are determined at the outermost extremes of the plastic body exclusive of mold flash, tie bar burrs, gate burrs, and interlead flash, but including any mismatch between the top and the bottom of the plastic body.
 - \triangle Lead width dimension does not include dambar protrusion.
 - \triangle Lead width and thickness dimensions apply to solder plated leads.
 - G. Interlead flash allow 0.008 inch max.
 - H. Gate burr/protrusion max. 0.006 inch.
 - I. Datums A and B are to be determined at Datum H.
 - J. Package dimensions per JEDEC outline drawing TO-261, issue B, dated Feb. 1999. This variation is not yet included.

KTT (R-PSFM-G5)

PLASTIC FLANGE-MOUNT PACKAGE



- NOTES:
- A. All linear dimensions are in inches (millimeters).
 - B. This drawing is subject to change without notice.
 - C. Dimensions do not include mold protrusions, not to exceed 0.006 (0,15).
- △ Falls within JEDEC TO-263 variation BA, except minimum lead thickness, maximum seating height, and minimum body length.

IMPORTANT NOTICE

Texas Instruments Incorporated and its subsidiaries (TI) reserve the right to make corrections, modifications, enhancements, improvements, and other changes to its products and services at any time and to discontinue any product or service without notice. Customers should obtain the latest relevant information before placing orders and should verify that such information is current and complete. All products are sold subject to TI's terms and conditions of sale supplied at the time of order acknowledgment.

TI warrants performance of its hardware products to the specifications applicable at the time of sale in accordance with TI's standard warranty. Testing and other quality control techniques are used to the extent TI deems necessary to support this warranty. Except where mandated by government requirements, testing of all parameters of each product is not necessarily performed.

TI assumes no liability for applications assistance or customer product design. Customers are responsible for their products and applications using TI components. To minimize the risks associated with customer products and applications, customers should provide adequate design and operating safeguards.

TI does not warrant or represent that any license, either express or implied, is granted under any TI patent right, copyright, mask work right, or other TI intellectual property right relating to any combination, machine, or process in which TI products or services are used. Information published by TI regarding third-party products or services does not constitute a license from TI to use such products or services or a warranty or endorsement thereof. Use of such information may require a license from a third party under the patents or other intellectual property of the third party, or a license from TI under the patents or other intellectual property of TI.

Reproduction of information in TI data books or data sheets is permissible only if reproduction is without alteration and is accompanied by all associated warranties, conditions, limitations, and notices. Reproduction of this information with alteration is an unfair and deceptive business practice. TI is not responsible or liable for such altered documentation.

Resale of TI products or services with statements different from or beyond the parameters stated by TI for that product or service voids all express and any implied warranties for the associated TI product or service and is an unfair and deceptive business practice. TI is not responsible or liable for any such statements.

Following are URLs where you can obtain information on other Texas Instruments products and application solutions:

Products		Applications	
Amplifiers	amplifier.ti.com	Audio	www.ti.com/audio
Data Converters	dataconverter.ti.com	Automotive	www.ti.com/automotive
DSP	dsp.ti.com	Broadband	www.ti.com/broadband
Interface	interface.ti.com	Digital Control	www.ti.com/digitalcontrol
Logic	logic.ti.com	Military	www.ti.com/military
Power Mgmt	power.ti.com	Optical Networking	www.ti.com/opticalnetwork
Microcontrollers	microcontroller.ti.com	Security	www.ti.com/security
		Telephony	www.ti.com/telephony
		Video & Imaging	www.ti.com/video
		Wireless	www.ti.com/wireless

Mailing Address: Texas Instruments
Post Office Box 655303 Dallas, Texas 75265